



US00D953165S

(12) **United States Design Patent** (10) **Patent No.:** **US D953,165 S**  
**Smith et al.** (45) **Date of Patent:** **\*\* May 31, 2022**

(54) **BOTTLE WITH BOTTLE STOPPER**

(71) Applicant: **Cinco Spirits Group, LLC**, New York, NY (US)

(72) Inventors: **Mark Smith**, Portland, OR (US);  
**Michael Jordan**, Jupiter, FL (US)

(73) Assignee: **CINCO SPIRITS GROUP, LLC**, New York, NY (US)

(\*\*) Term: **15 Years**

(21) Appl. No.: **29/743,215**

(22) Filed: **Jul. 20, 2020**

(51) **LOC (13) Cl.** ..... **09-01**

(52) **U.S. Cl.**  
USPC ..... **D9/523**; D9/439; D9/544; D9/575

(58) **Field of Classification Search**  
USPC ..... D9/434-435, 439, 516, 520, 522-523,  
D9/544, 559, 575, 682, 694, 715, 719  
CPC ..... B65D 1/00; B65D 1/02; B65D 1/0223;  
B65D 23/00; B65D 51/32; B65D  
2501/00; B65D 2501/0009; B65D  
2501/0081

See application file for complete search history.

(56) **References Cited**

U.S. PATENT DOCUMENTS

|              |        |            |        |
|--------------|--------|------------|--------|
| D177,774 S   | 5/1956 | Stroup     |        |
| D318,232 S   | 7/1991 | Mansau     |        |
| D429,633 S * | 8/2000 | Godio      | D7/598 |
| D612,736 S * | 3/2010 | Pecora     | D9/522 |
| D633,753 S   | 3/2011 | White      |        |
| D673,856 S * | 1/2013 | Snyder     | D9/522 |
| D677,525 S   | 3/2013 | Luebke     |        |
| D681,469 S * | 5/2013 | Mishan     | D9/522 |
| D684,863 S * | 6/2013 | Snyder     | D9/522 |
| D699,117 S * | 2/2014 | Snyder     | D9/522 |
| D708,011 S   | 7/2014 | Liberatore |        |

|              |         |                |        |
|--------------|---------|----------------|--------|
| 8,783,486 B1 | 7/2014  | Hoyt et al.    |        |
| D713,199 S   | 9/2014  | Hannan         |        |
| D780,574 S   | 3/2017  | Seeuwen et al. |        |
| D797,500 S   | 9/2017  | Connors        |        |
| D818,367 S * | 5/2018  | Pontes         | D9/529 |
| D820,093 S * | 6/2018  | Pontes         | D9/529 |
| D827,365 S   | 9/2018  | Gardner        |        |
| D861,490 S * | 10/2019 | Harter         | D9/600 |
| D867,132 S   | 11/2019 | Callaars       |        |
| D885,040 S   | 5/2020  | Pashandi       |        |

OTHER PUBLICATIONS

Non-Final Office Action issued in U.S. Appl. No. 29/743,222 dated Aug. 4, 2021.

Notice of Allowance issued in counterpart UAE Design Application Serial No. 6000064 dated Sep. 5, 2021.

(Continued)

*Primary Examiner* — Dana Meyrow

(74) *Attorney, Agent, or Firm* — Brian J. Colandreo;  
Jeffrey T. Placker; Holland & Knight LLP

(57) **CLAIM**

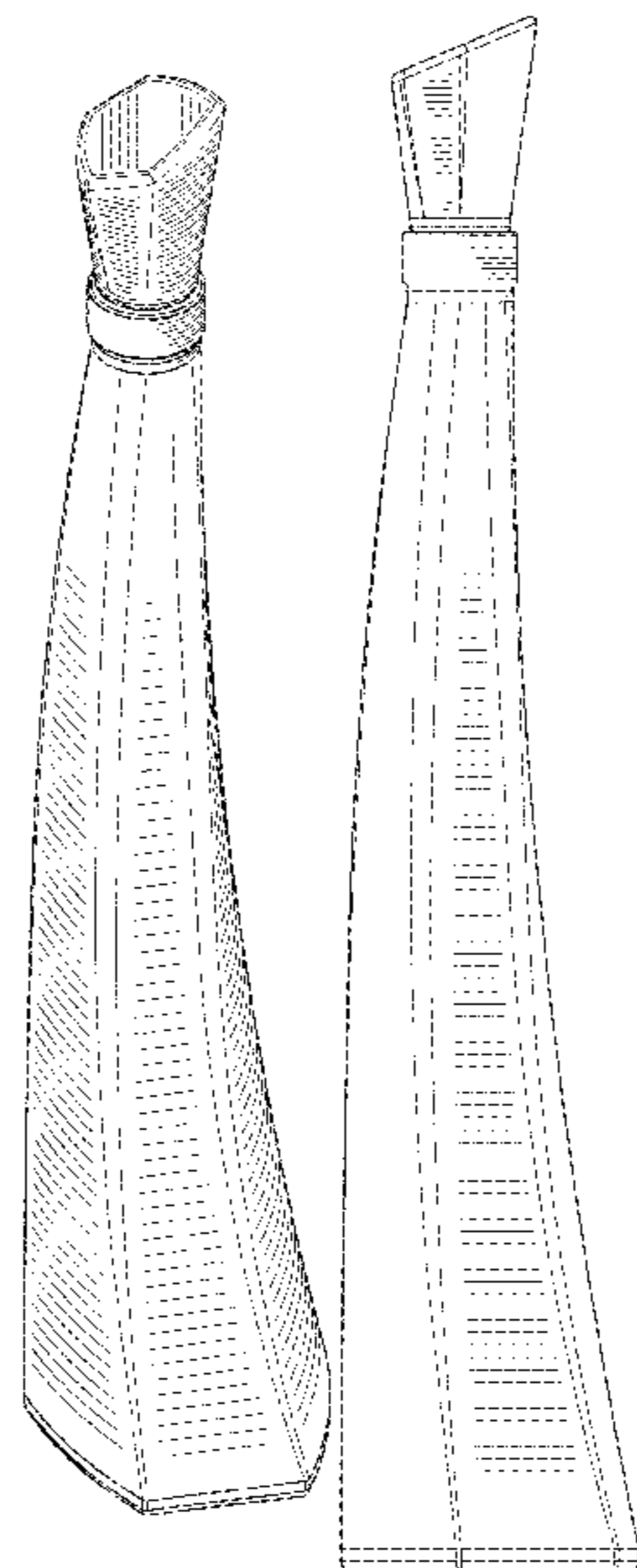
The ornamental design for a bottle with bottle stopper, as shown and described.

**DESCRIPTION**

FIG. 1 is a perspective view of a bottle with bottle stopper; FIG. 2 is a second perspective view thereof; FIG. 3 is a third perspective view thereof; FIG. 4 is a rear elevation view thereof; FIG. 5 is a right elevation view thereof; FIG. 6 is a front elevation view thereof; FIG. 7 is a left elevation view thereof; FIG. 8 is top plan view thereof; and, FIG. 9 is a bottom plan view thereof.

The broken lines indicate features of the bottle with bottle stopper design that do not form part of the claimed design.

**1 Claim, 8 Drawing Sheets**



(56)

**References Cited**

OTHER PUBLICATIONS

Office of Allowance issued in counterpart UAE Design Application Serial No. 6000065 dated Sep. 5, 2021.

Examination Report No. 1 issued in counterpart Australian Design Application Serial No. 202110164 dated May 25, 2021.

Examination Report No. 1 issued in counterpart Australian Design Application Serial No. 303220143 dated May 25, 2021.

Office Action issued in counterpart Brazilian Design Application Serial No. 3020210002094 dated Jun. 28, 2021.

Office Action issued in counterpart Brazilian Design Application Serial No. 3020210002086 dated Jun. 6, 2021.

Notice of Allowance issued in counterpart U.S. Appl. No. 29/743,223 dated Nov. 15, 2021.

Notice of Allowance issued in U.S. Appl. No. 29/743,222 dated Jan. 12, 2022.

Notice of Allowance issued in counterpart U.S. Appl. No. 29/743,223 dated Mar. 2, 2022.

Unknown, Tequila Brand Cincoro: Announced Sep. 16, 2019 [online] Retrieved from the Internet URL: <https://www.forbes.com/sites/chloesorvino/2019/09/16/the-inside-story-of-how-michael-jordan-and-four-nba-owners-launched-the-super-premium-tequila-brand-cincoro/?sh=5cc1c3773aa>.

\* cited by examiner

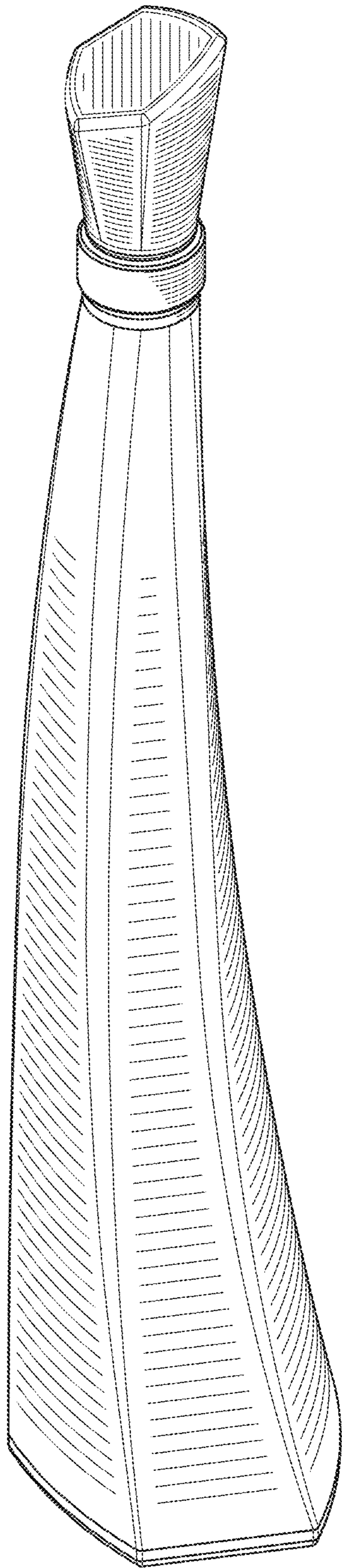


FIG. 1

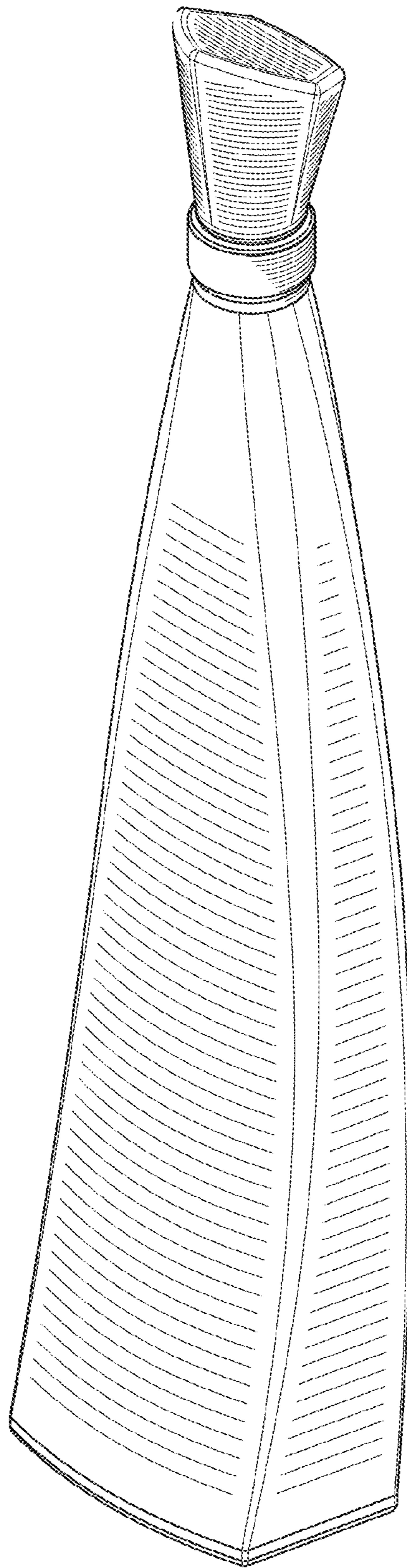


FIG. 2



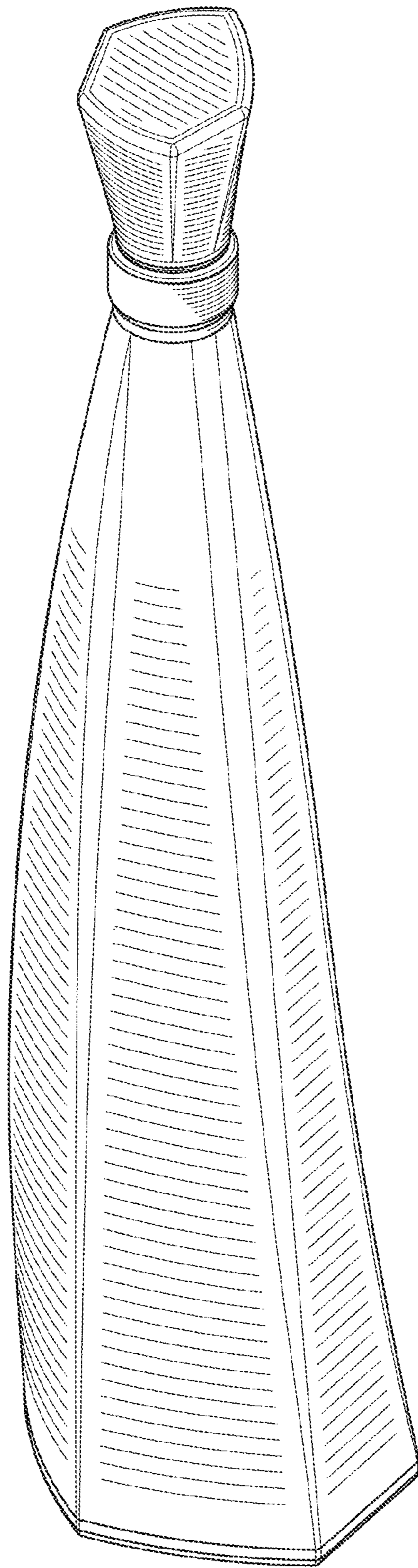


FIG. 3

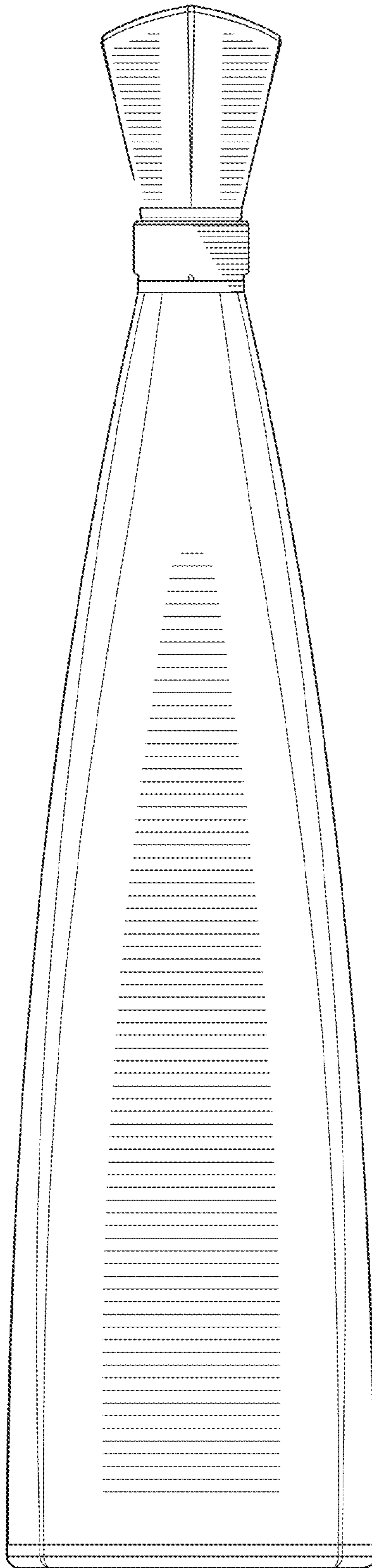


FIG. 4

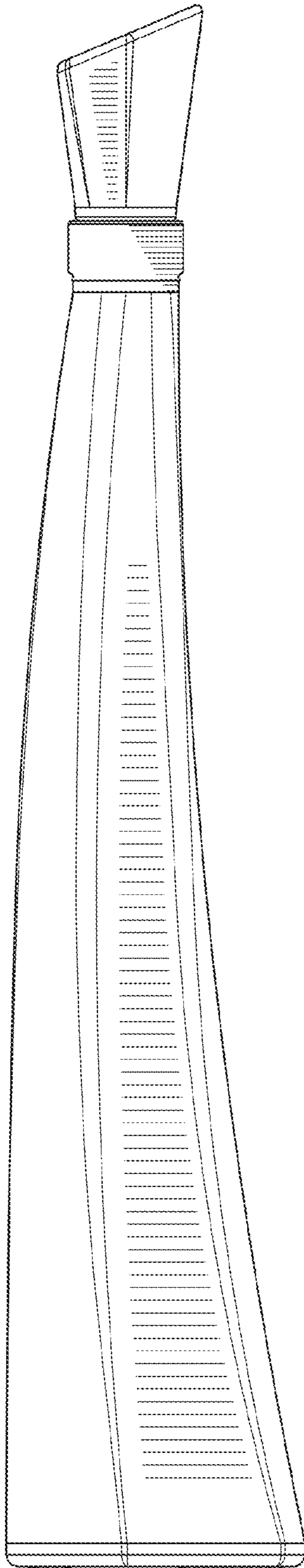


FIG. 5

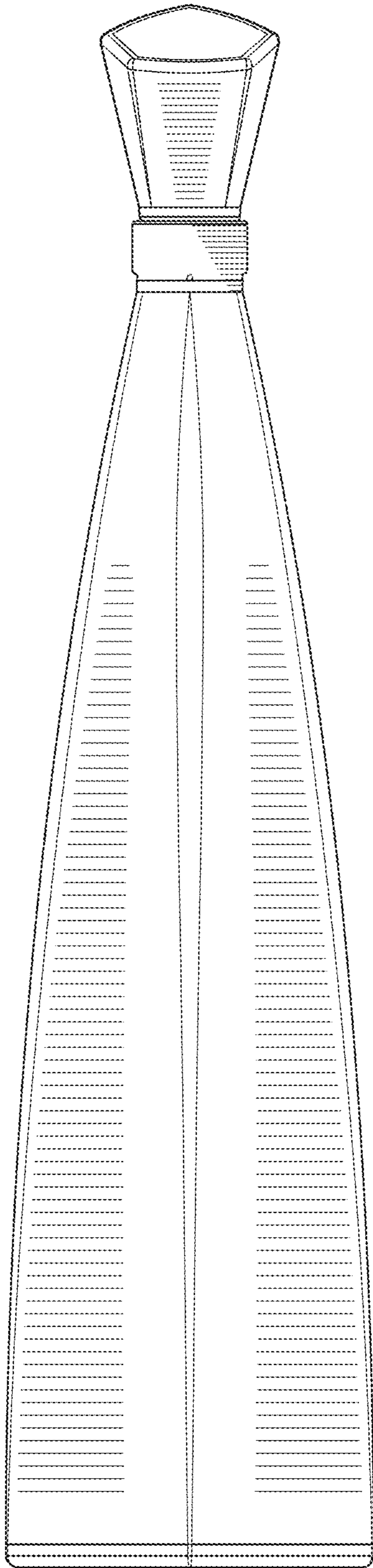


FIG. 6



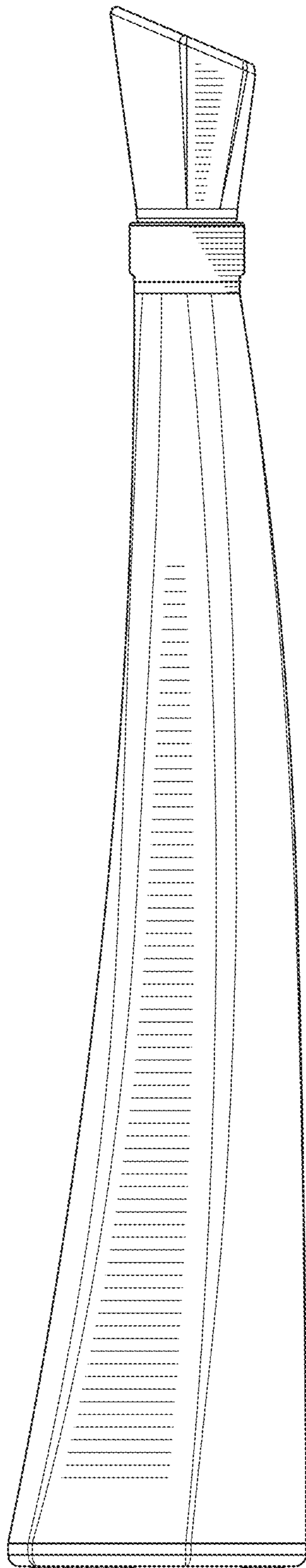


FIG. 7

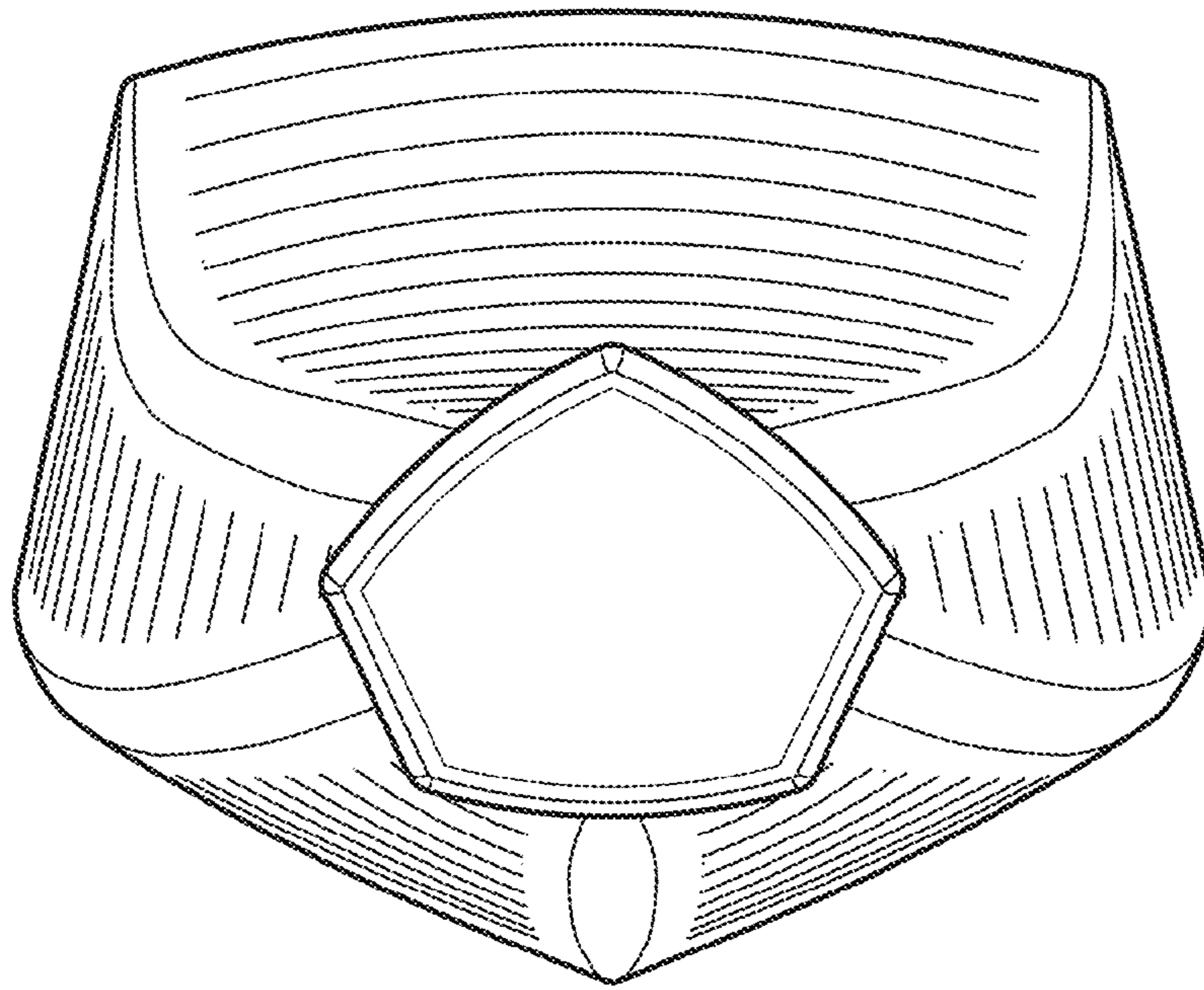


FIG. 8

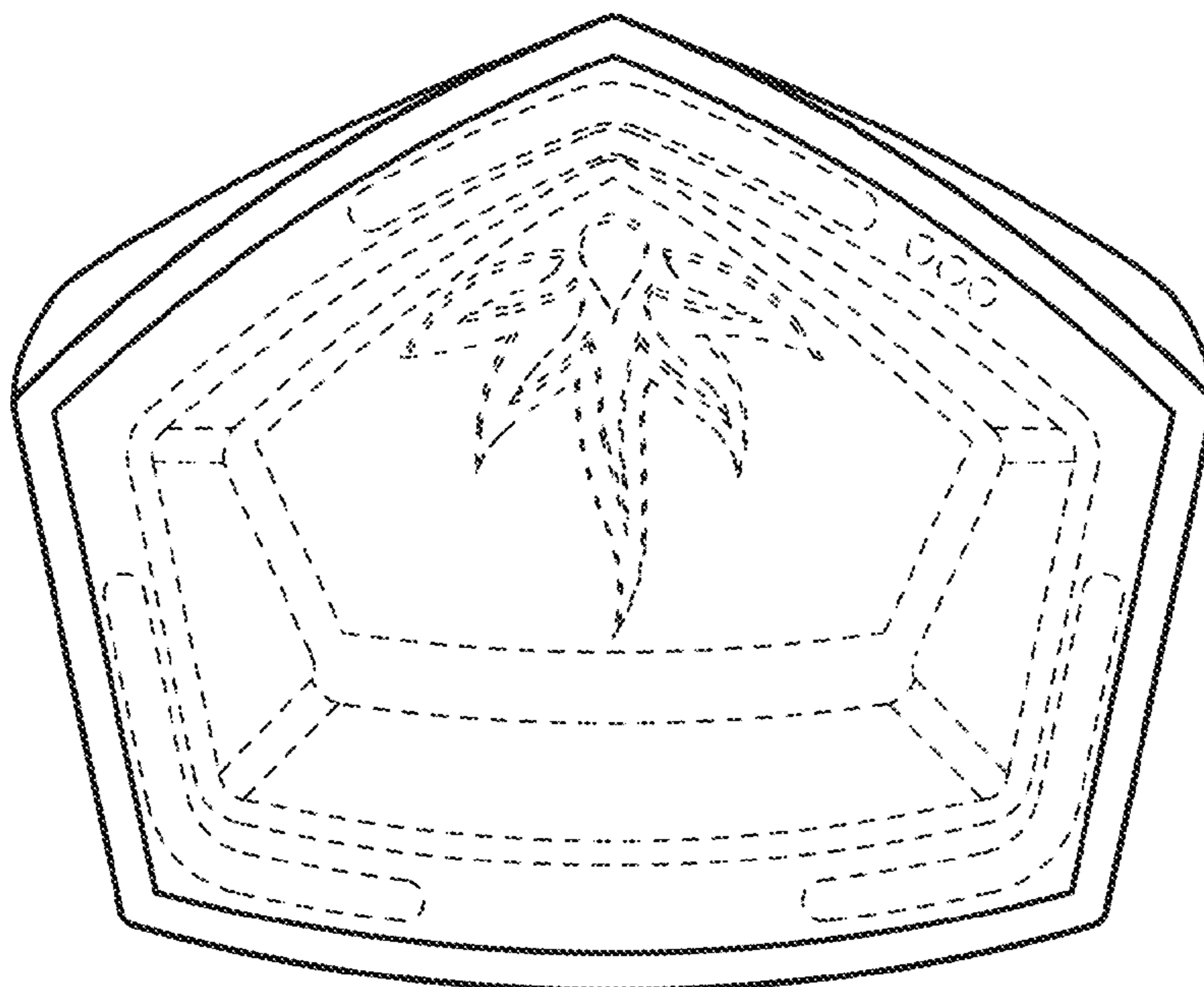


FIG. 9