



US00D953164S

(12) **United States Design Patent** (10) **Patent No.:** **US D953,164 S**
Luo (45) **Date of Patent:** **** May 31, 2022**

(54) **NAIL POLISH BOTTLE**
(71) Applicant: **Sailin Luo**, Guangzhou (CN)
(72) Inventor: **Sailin Luo**, Guangzhou (CN)
(**) Term: **15 Years**
(21) Appl. No.: **29/735,775**
(22) Filed: **May 24, 2020**

(30) **Foreign Application Priority Data**

May 12, 2020 (EM) 007881339

(51) **LOC (13) Cl.** **09-01**

(52) **U.S. Cl.**
USPC **D9/503**; D9/454

(58) **Field of Classification Search**
USPC D9/434-436, 454, 500, 503, 516, 549,
D9/558, 715, 719, 723-724, 726;
D4/114, 116
CPC B65D 1/00; B65D 1/02; B65D 1/0223;
B65D 2501/00; B65D 2501/0009; A45D
34/042; A45D 34/045; A45D 2200/052;
A45D 2200/053; A46B 11/00; A46B
11/001

See application file for complete search history.

(56) **References Cited**

U.S. PATENT DOCUMENTS

D252,445 S * 7/1979 Rhodes D9/504
D259,252 S * 5/1981 Acker D4/116
D330,859 S * 11/1992 Schaeffer D9/503
D415,319 S * 10/1999 Bakic D28/76

D449,228 S * 10/2001 Nosella D9/500
D487,016 S * 2/2004 DeBiasse D9/444
6,966,716 B2 * 11/2005 Pink A45D 34/045
401/126
7,311,457 B2 * 12/2007 Pink A45D 34/045
16/430
D695,121 S * 12/2013 Seo D9/561
D701,124 S * 3/2014 O'Hara D9/624
D730,189 S * 5/2015 Haile D9/503
D758,737 S * 6/2016 Tan D4/116
D787,333 S * 5/2017 Ma D9/503
D805,904 S * 12/2017 Kim D9/503
D813,551 S * 3/2018 Tan D4/116
D836,444 S * 12/2018 Tan D9/500
D845,773 S * 4/2019 Huang D9/503
D848,262 S * 5/2019 Luu D9/454
D852,048 S * 6/2019 Flint D9/558
D867,885 S * 11/2019 Luu D9/454

* cited by examiner

Primary Examiner — Dana Meyrow

(74) *Attorney, Agent, or Firm* — Bay State IP, LLC

(57) **CLAIM**

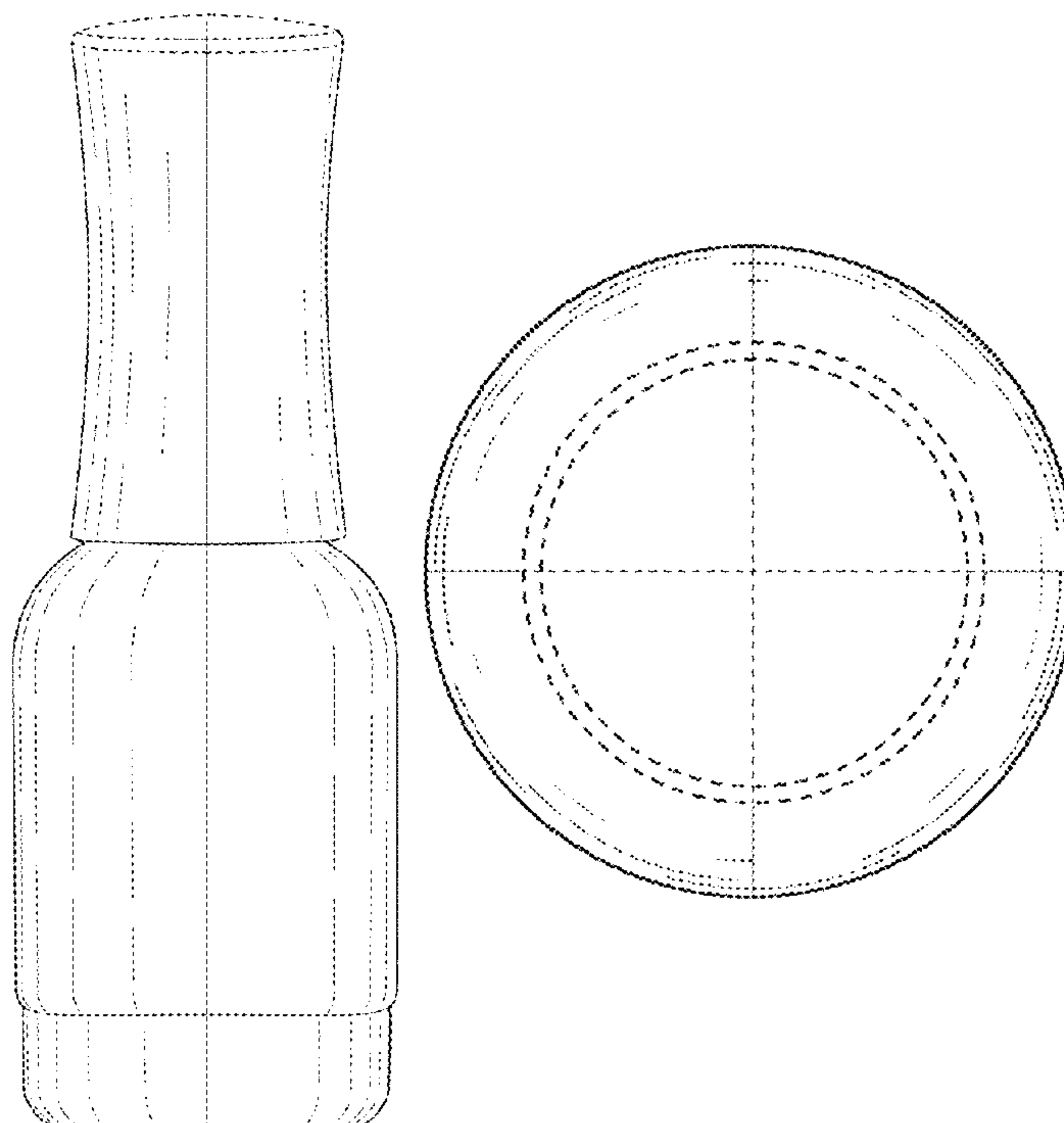
The ornamental design for a nail polish bottle, as shown and described.

DESCRIPTION

FIG. 1 is a perspective view showing my new design;
FIG. 2 is a front view thereof;
FIG. 3 is a back view thereof;
FIG. 4 is a top view thereof; and,
FIG. 5 is a bottom view thereof.

In the drawings, the broken lines depict portions of a nail polish bottle that form no part of the claimed design.

1 Claim, 5 Drawing Sheets



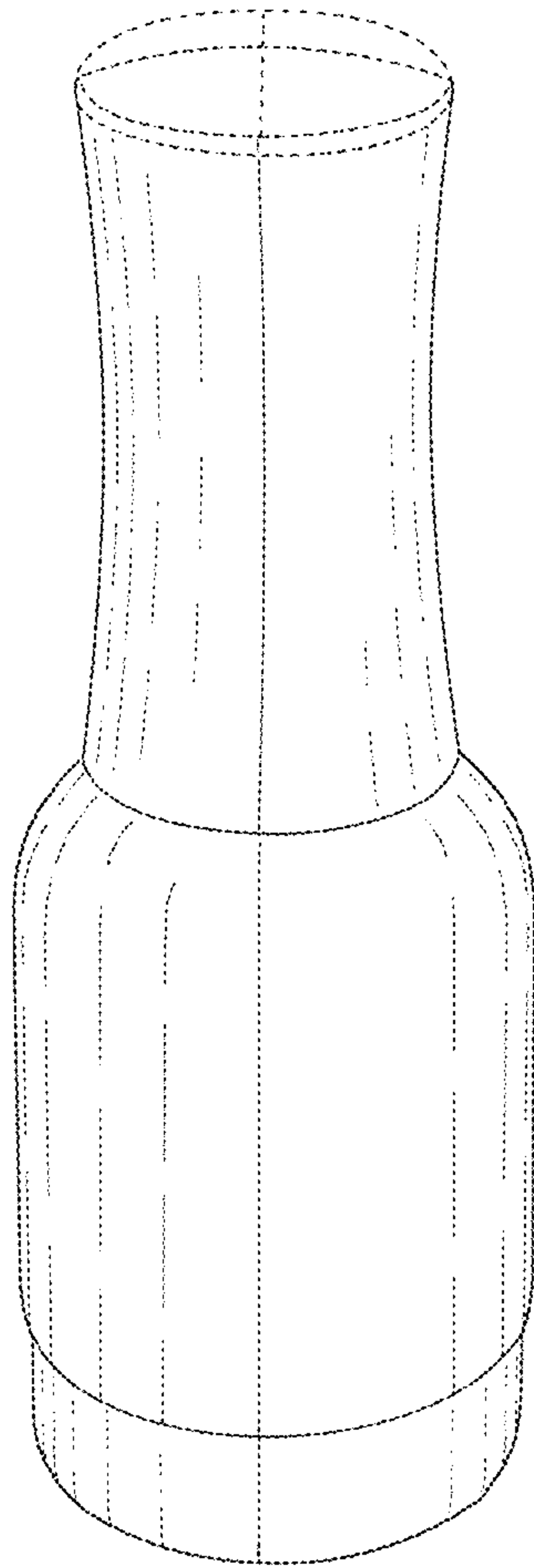


FIG. 1

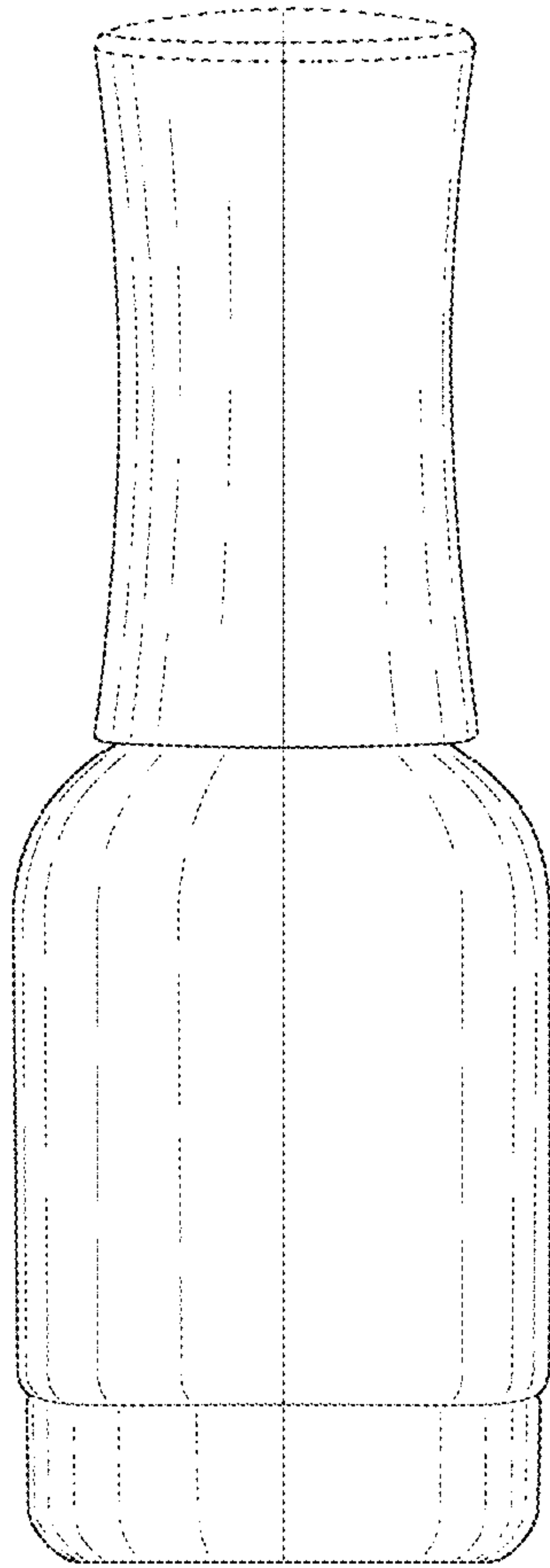


FIG. 2

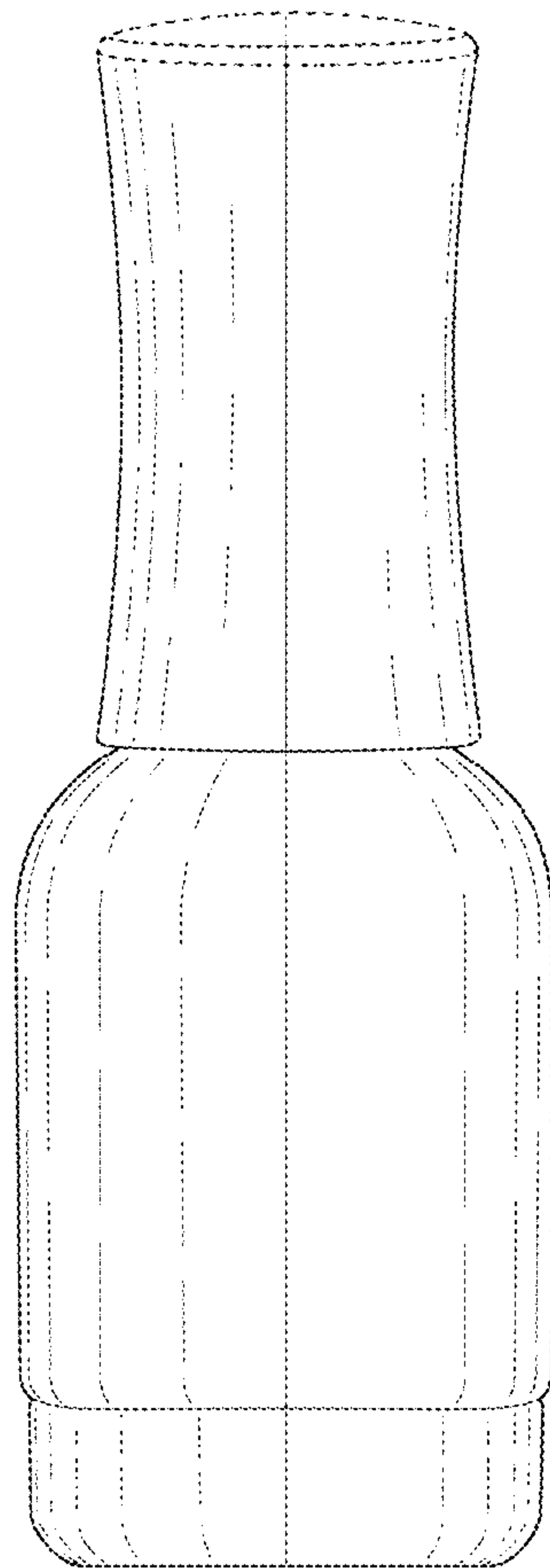


FIG. 3

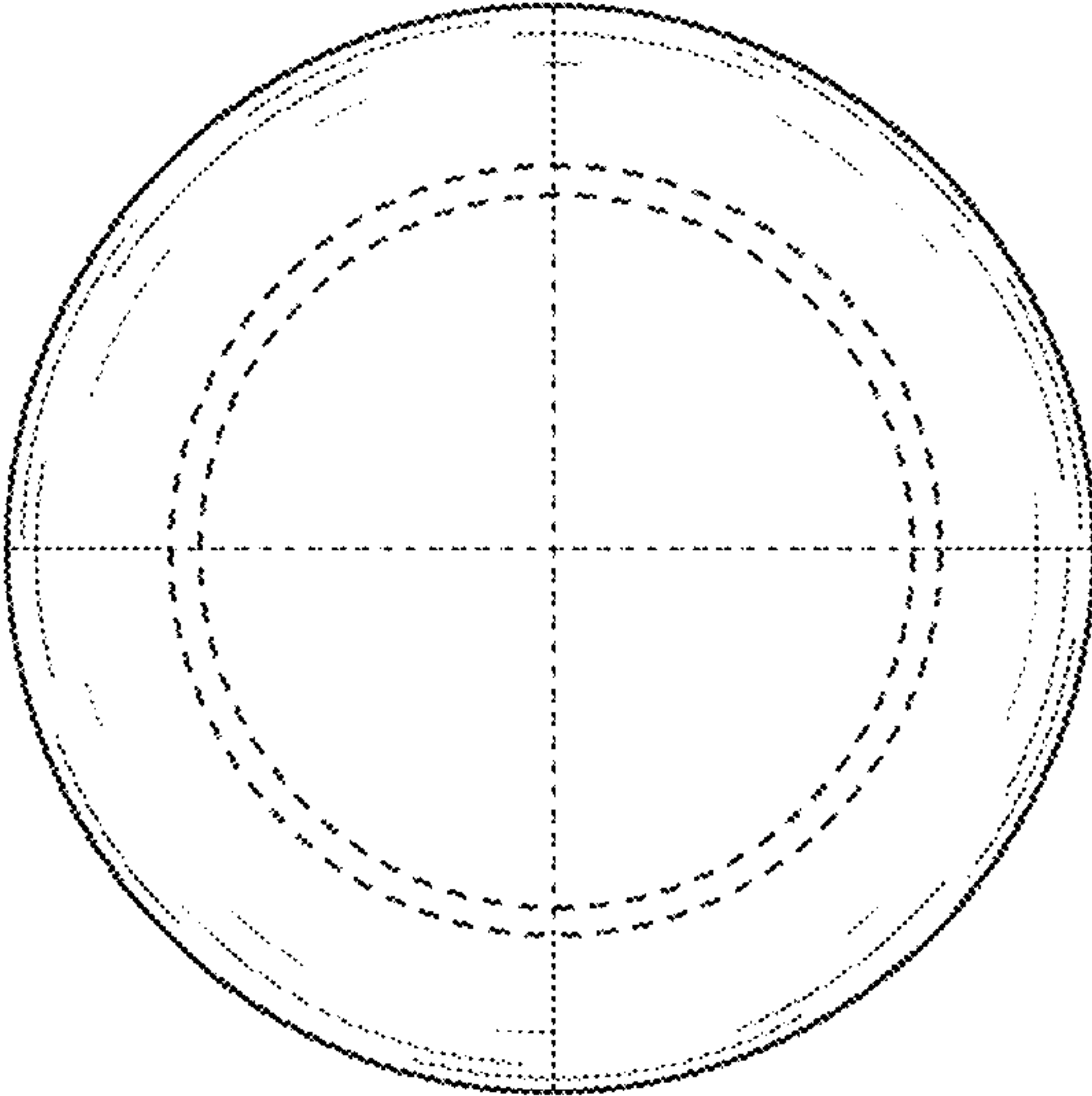


FIG. 4

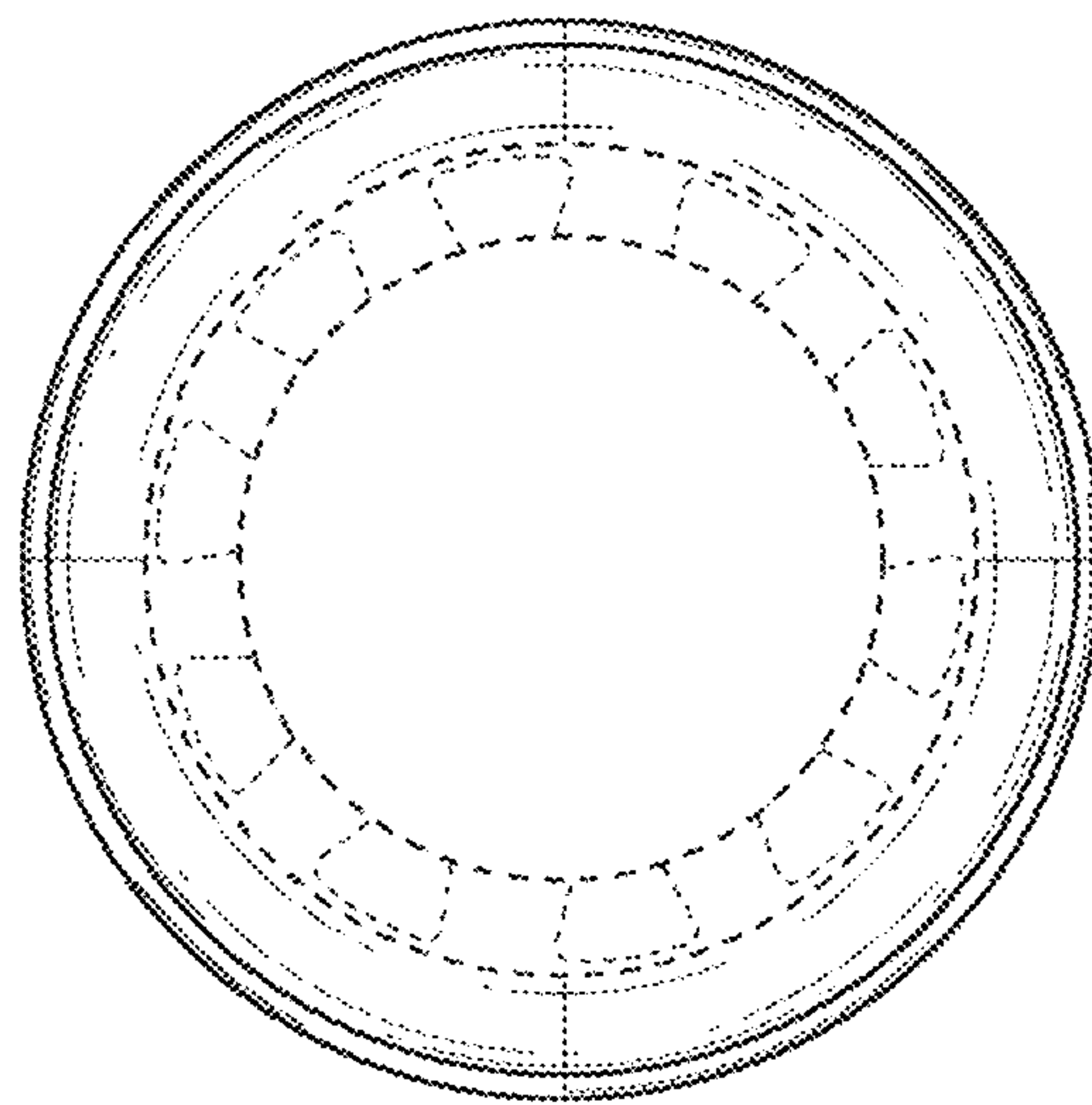


FIG. 5