



US00D953162S

(12) **United States Design Patent** (10) **Patent No.:** **US D953,162 S**
Bamber et al. (45) **Date of Patent:** **** May 31, 2022**

(54) **BOTTLE CAP**

33/28; A45D 40/00; A45D 40/20; A45D 40/24; A45D 40/02; A45D 40/06; A45D 40/18; A45D 40/262; A45D 34/00; A45D 34/04; A45D 34/06; A45D 34/041

(71) Applicant: **Abercrombie & Fitch Trading Co.**,
New Albany, OH (US)

See application file for complete search history.

(72) Inventors: **Catherine Bamber**, New Albany, OH (US); **Kayla Kauzlarich**, New Albany, OH (US); **Sarah Schwartz**, New Albany, OH (US)

(56) **References Cited**

U.S. PATENT DOCUMENTS

(73) Assignee: **ABERCROMBIE & FITCH TRADING CO.**, New Albany, OH (US)

D277,996 S 3/1985 Megargee
D663,218 S * 7/2012 Ebert D9/659

(Continued)

(**) Term: **15 Years**

OTHER PUBLICATIONS

(21) Appl. No.: **29/718,041**

Metal Moose Bottle Stopper: Announced [Dec. 1, 2020, online]. Site Visited [Mar. 19, 2022], Available from Internet URL: https://www.amazon.com/Stopper-National-Lampoons-Christmas-Vacation/dp/B08PCXVJJR/ref=asc_df_B08PCXVJJR/?tag=hyprod-20&linkCode=df0&hvadid=518475306946&hvpos=&hvnetw=g&hvrand=667063691098380443&hvpone=&hvptwo=&hvqmt=&hvdev=c&hvdvcmdl=&hvlocint=&hvlocphy=9059726&hvtargid=pla-1294389357734&psc=1.*

(Continued)

(22) Filed: **Dec. 20, 2019**

(51) **LOC (13) Cl.** **09-07**

(52) **U.S. Cl.**

USPC **D9/451**

(58) **Field of Classification Search**

USPC D3/17, 29; D7/368, 387, 389, 391, D7/392.1, 396.1, 396.2, 396.4, 397, 400, D7/514, 516, 519, 539, 544, 571, 573, D7/578; D9/414, 416, 417, 434, 435, D9/436, 439, 440, 441, 443, 445, 447, D9/448, 451, 452, 453, 454, 601, 682, D9/685, 686, 688, 690, 695, 707, 708, D9/709, 723, 724, 727; D23/206, 208, D23/209, 213, 223, 226, 259, 260, 261; D24/112, 121, 127, 162, 194, 196; D28/4, 76, 79, 80, 81, 82, 84, 85, 87, D28/91.1; D6/542; D11/152

CPC B65D 85/8064; B65D 85/8043; B65D 77/20; B65D 25/48; B65D 2543/00046; B65D 2543/00092; B65D 2585/56; B65D 2585/545; A47J 31/407; A47J 31/04; A47J 31/10; A47J 31/24; A23F 5/24; B05B 11/0032; B05B 11/0027; B05B 11/3004; B05B 11/3015; B05B 11/306; B05B 11/3064; B05B 11/3059; B65B 29/06; A45D 33/24; A45D 33/26; A45D

Primary Examiner — Catherine S Posthauer
(74) *Attorney, Agent, or Firm* — K&L Gates LLP

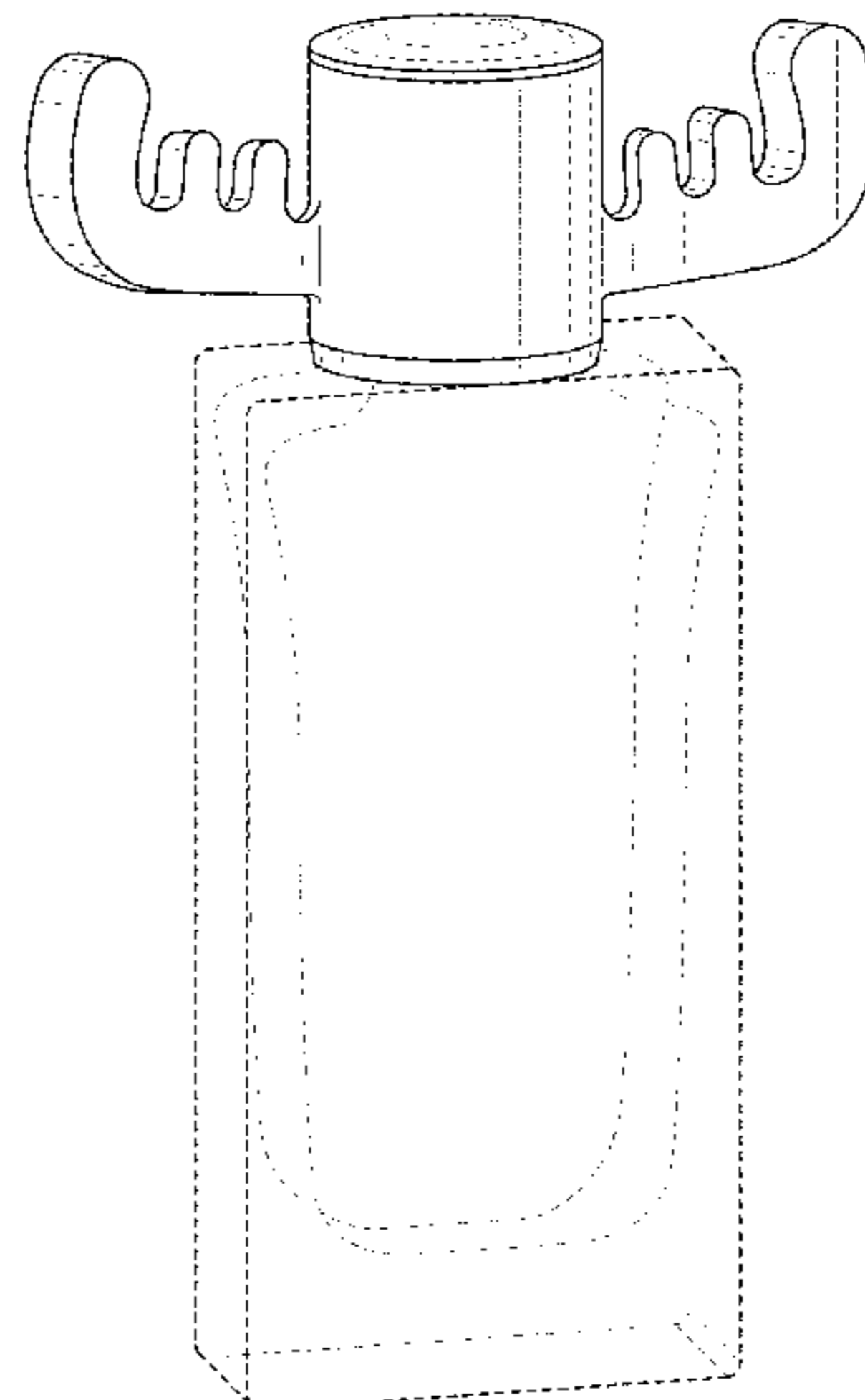
(57) **CLAIM**

The ornamental design for a bottle cap, as shown and described herein.

DESCRIPTION

FIG. 1 is a perspective view of a bottle cap showing our new design;
FIG. 2 is a front view thereof;
FIG. 3 is a rear view thereof;
FIG. 4 is a right-side view thereof;
FIG. 5 is a left-side view thereof;
FIG. 6 is a top plan view thereof; and,
FIG. 7 is a bottom plan view thereof.
The broken lines are shown for the purpose of illustrating environmental subject matter of an exemplary bottle and form no part of the claimed design.

1 Claim, 6 Drawing Sheets



(56)

References Cited

U.S. PATENT DOCUMENTS

D696,591 S	*	12/2013	Chertoff	D9/682
D753,959 S		4/2016	Bremer	
D773,601 S	*	12/2016	Sevier	D22/132
D798,152 S	*	9/2017	Vivas	D9/503
D834,415 S		11/2018	Luther	
D869,949 S	*	12/2019	Vivas	D9/608
D872,589 S	*	1/2020	Vivas	D9/451
D879,611 S	*	3/2020	Friedman	D9/443
D881,650 S	*	4/2020	Chen	D7/532
D896,079 S	*	9/2020	Friedman	D9/443
D896,080 S	*	9/2020	Friedman	D9/443
D942,272 S	*	2/2022	Frankcomb	D9/439

OTHER PUBLICATIONS

Reindeer Ornament: Site Visited [Mar. 19, 2022], Availalbe from Internet URL: https://www.hookedonhallmark.com/2019-Reinbeer_p_40928.html.*

Penhaligon's Tragedy of Lord George Cologne: Announced Dec. 27, 2016 [online]. Site Visited [Mar. 19, 2022]. Availalbe from Internet URL: <https://www.penhaligons.com/us/en/categories/fragrances/shop-all/the-tragedy-of-lord-george-000000000065121092>.*

Coca Cola; "Reindeer Cap Hat"; <https://www.isidorsfugue.com/search/label/Pop%20Culture>; (28 pages).

eBay; "Antler Deer Champagne Red Wine Bottle Cork Bung Plug Stopper"; <https://www.pinterest.nz/pin/82331499419177528/>; (4 pages).

* cited by examiner

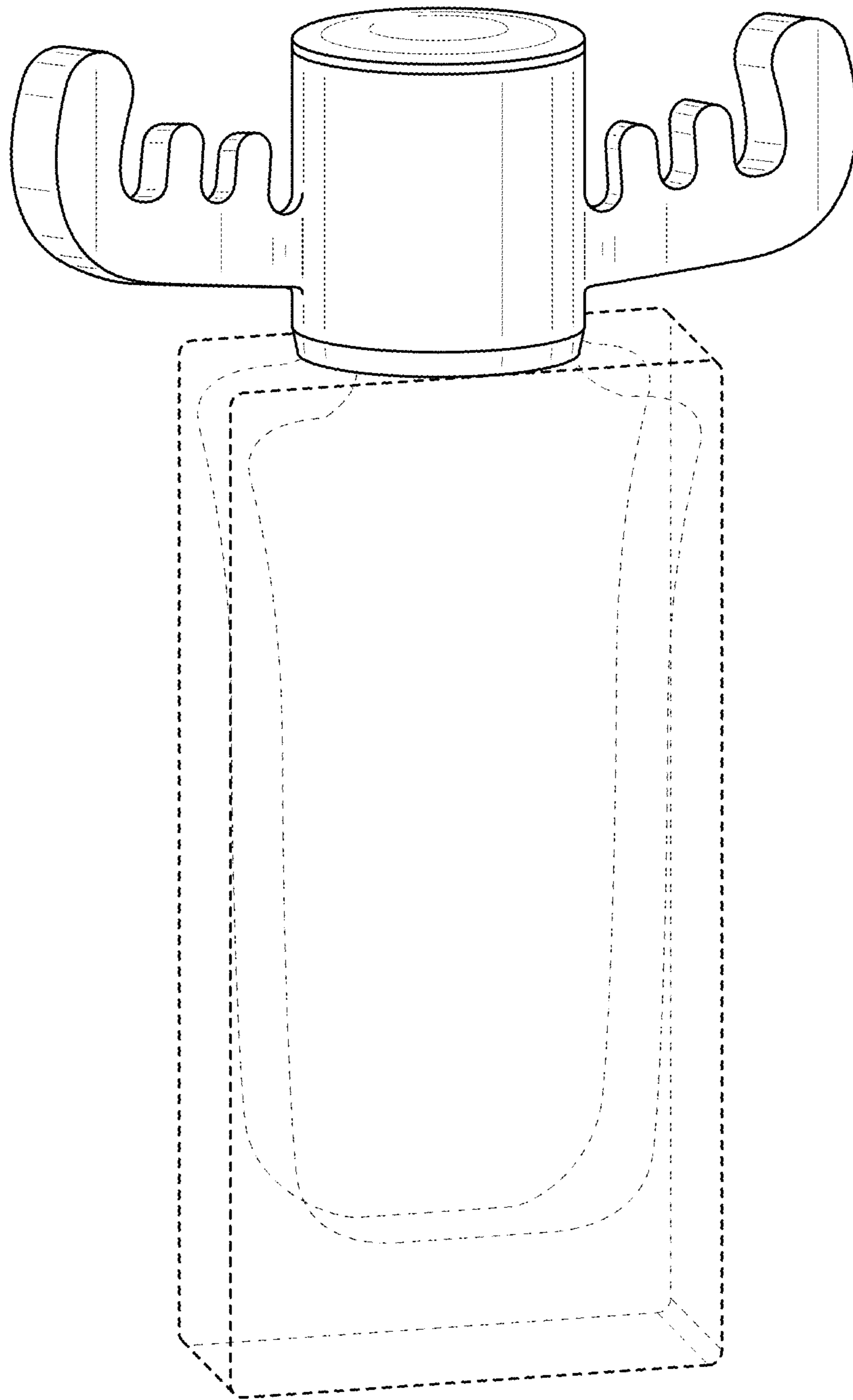


FIG. 1

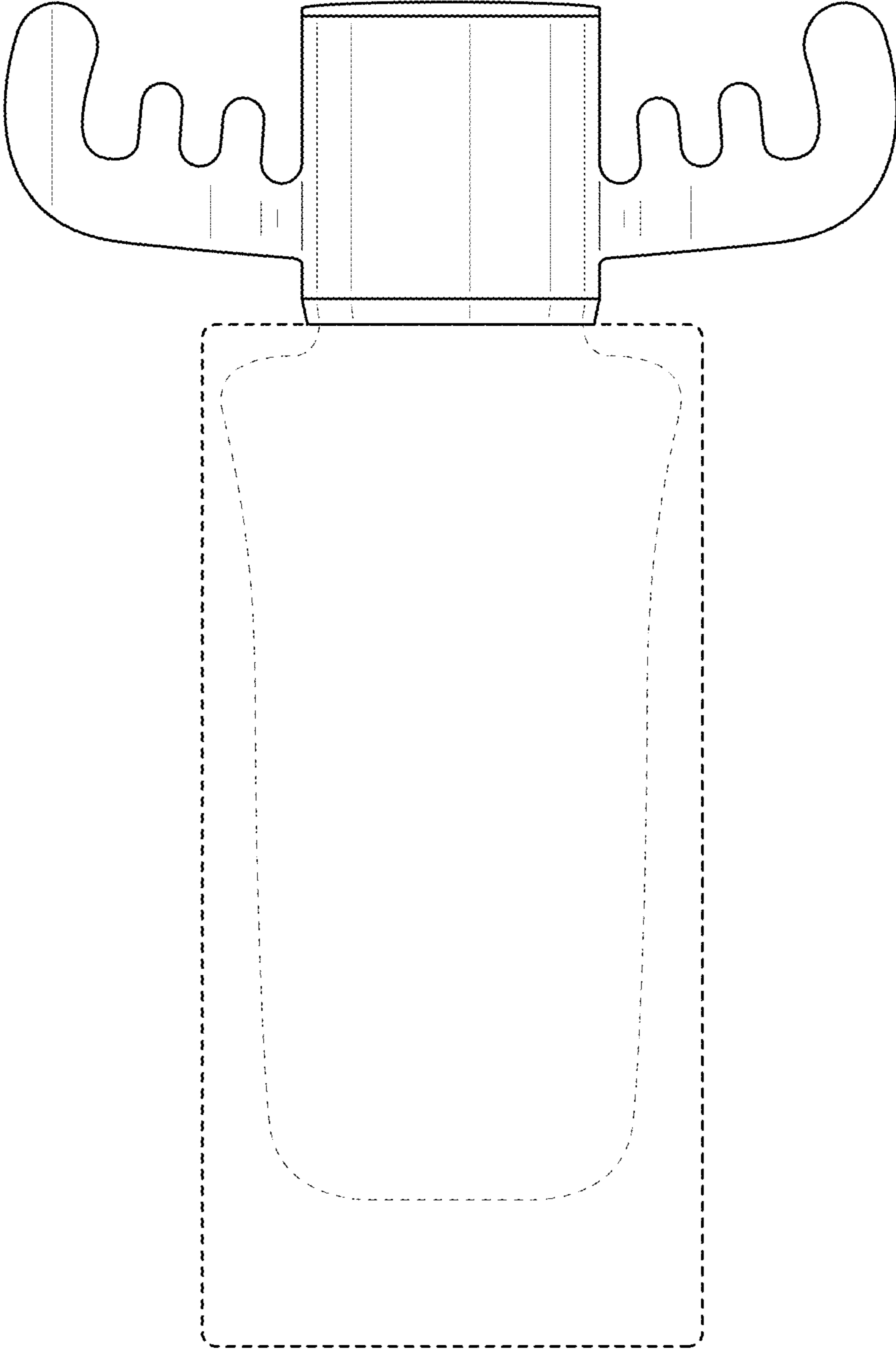


FIG. 2

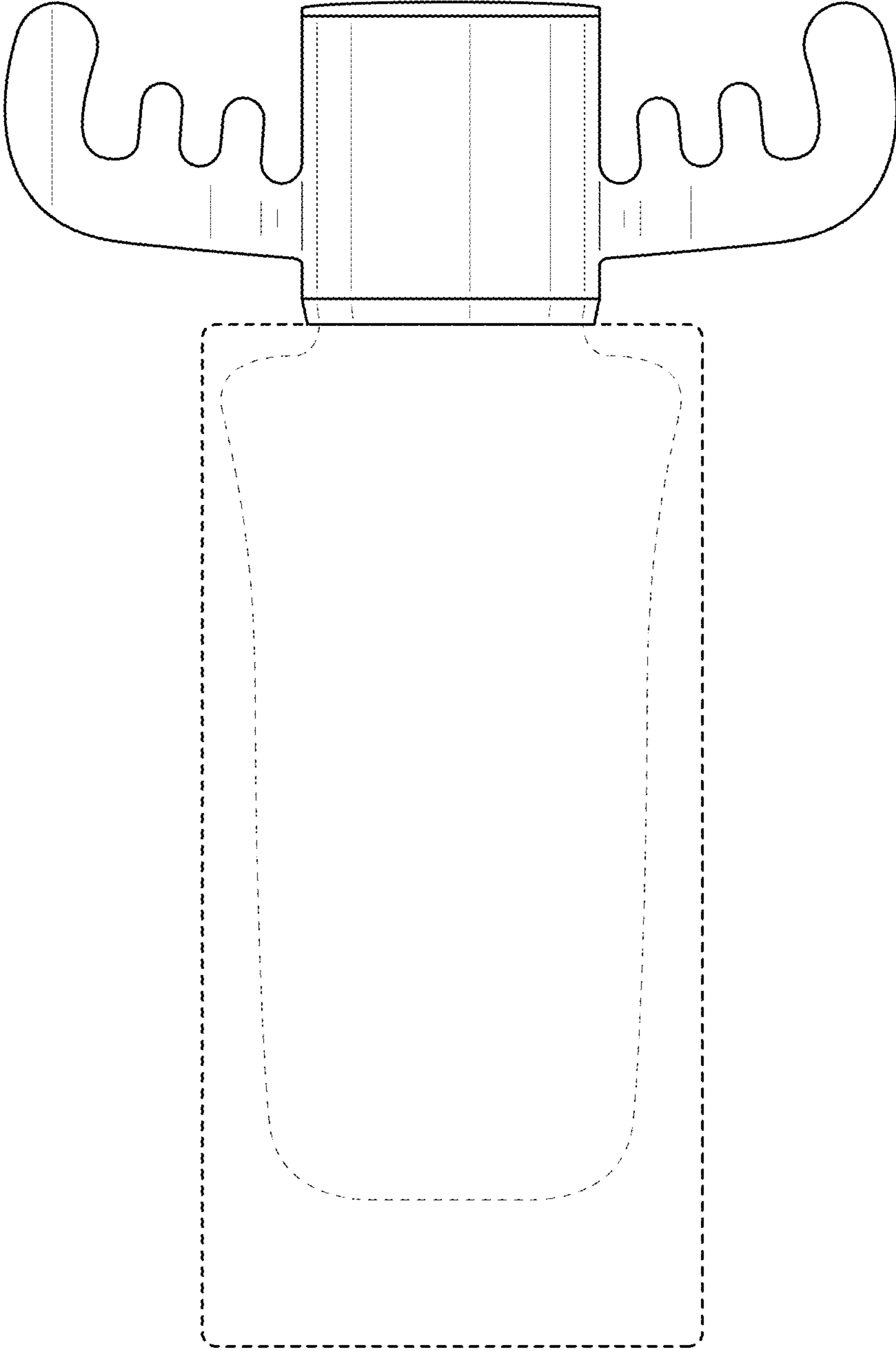


FIG. 3

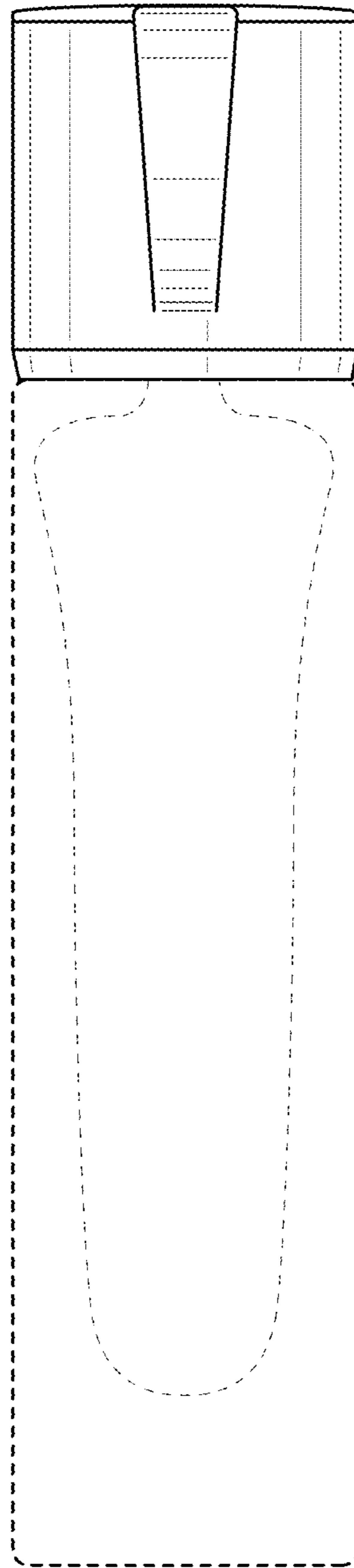


FIG. 4

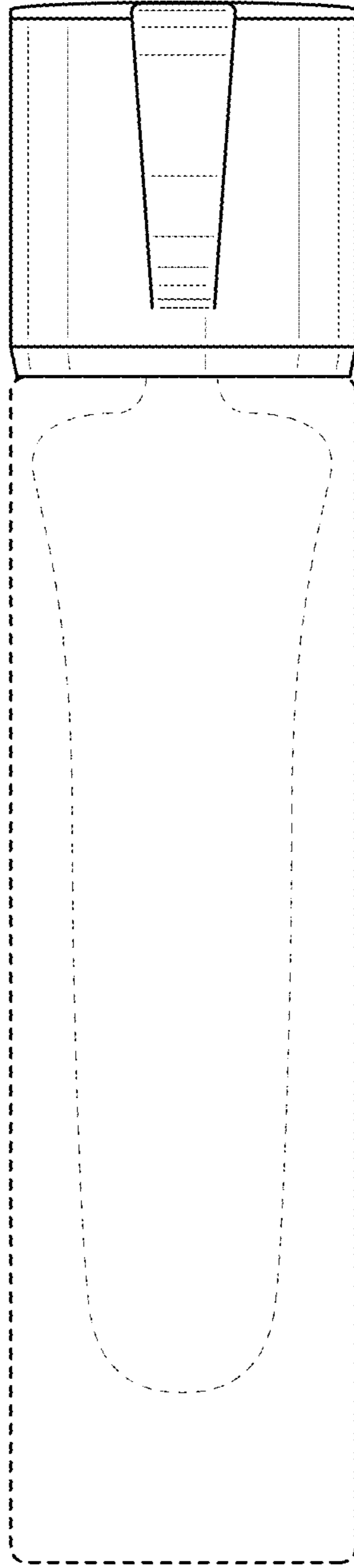


FIG. 5

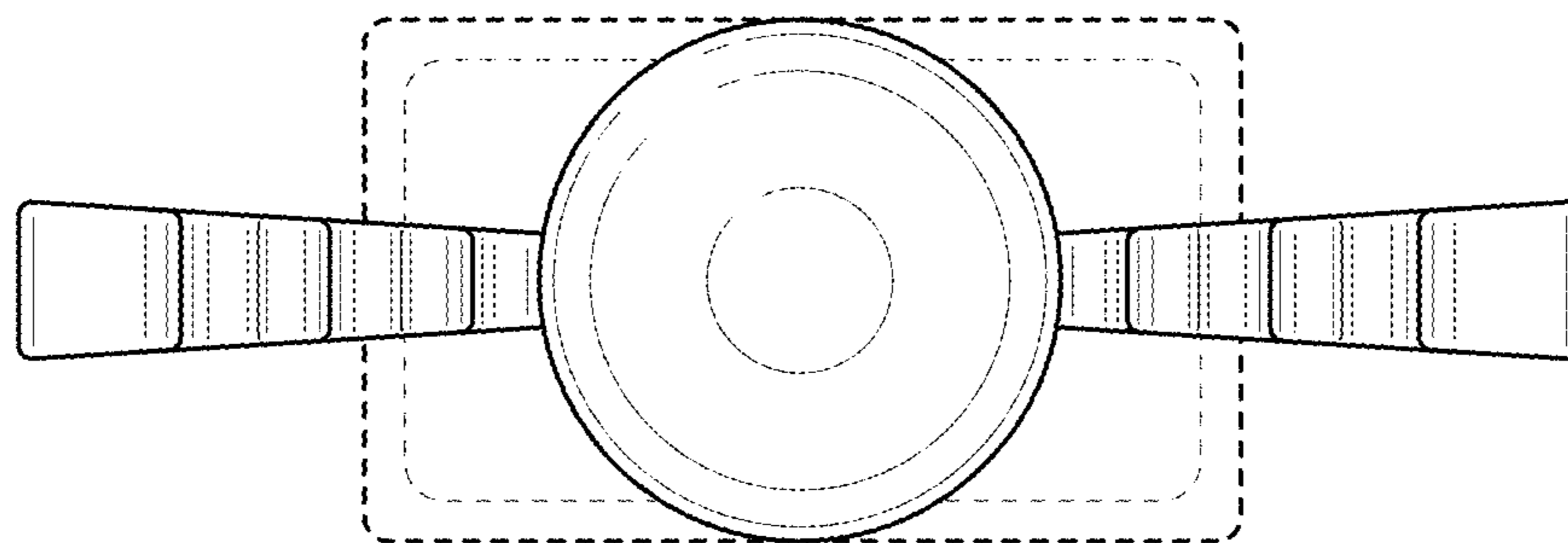


FIG. 6

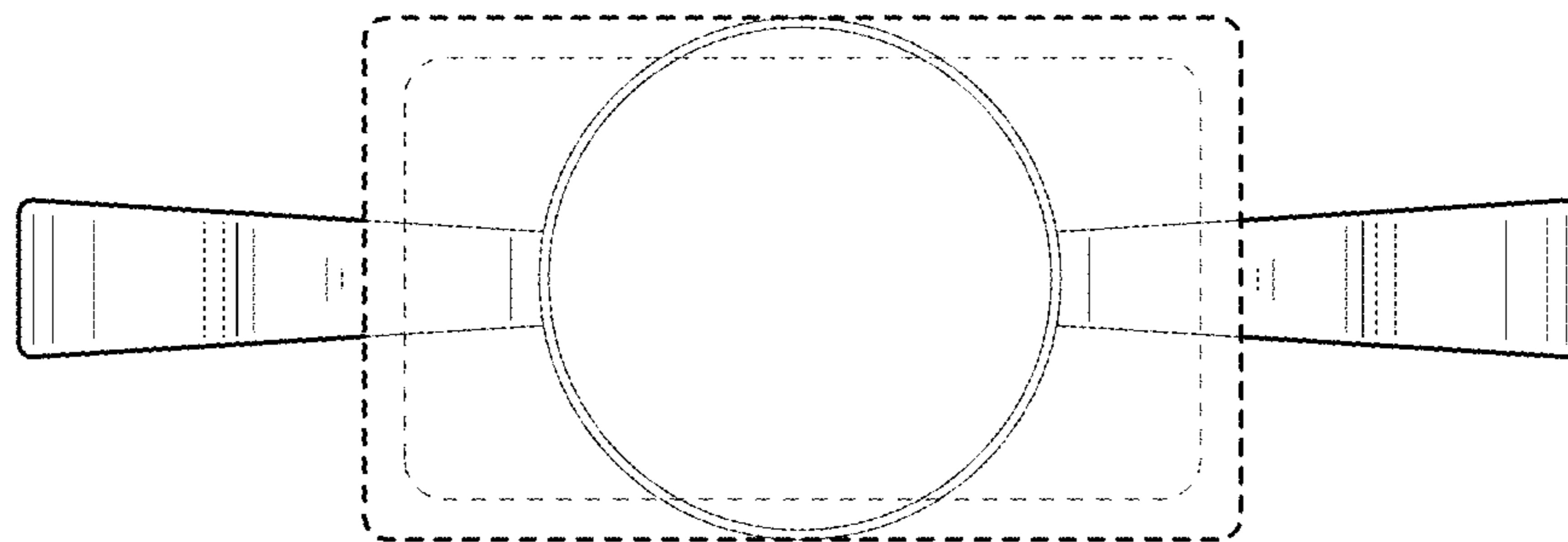


FIG. 7