



US00D953161S

(12) **United States Design Patent**
Tang

(10) **Patent No.:** **US D953,161 S**

(45) **Date of Patent:** **** May 31, 2022**

(54) **HOT CUP LIDS**

(71) Applicants: **LIDUS HONG KONG LIMITED**,
Hong Kong (CN); **Jonathan**
Shau-Tsun Tang, Hong Kong (CN)

(72) Inventor: **Jonathan Shau-Tsun Tang**, Hong
Kong (CN)

(73) Assignee: **LIDUS HONG KONG LIMITED**,
Hong Kong (HK)

(**) Term: **15 Years**

(21) Appl. No.: **29/754,304**

(22) Filed: **Oct. 9, 2020**

(51) **LOC (13) Cl.** **09-03**

(52) **U.S. Cl.**
USPC **D9/447; D9/454**

(58) **Field of Classification Search**
USPC D9/435, 439, 440, 442-449, 450, 454,
D9/531, 682-694, 723, 575; D7/321,
D7/391, 392, 392.1, 396.2, 507, 509-511,
D7/523, 608, 900; D6/515
CPC B65D 83/205; B65D 83/206; B65D 83/40;
B65D 2543/00046; A47G 19/2272
See application file for complete search history.

(56) **References Cited**

U.S. PATENT DOCUMENTS

3,868,043	A *	2/1975	Freemyer	B65D 21/0219	220/712
D624,413	S *	9/2010	Selina	D9/447	
D751,394	S *	3/2016	Chartier	D9/440	
D752,915	S *	4/2016	Castriota	D7/391	
D828,158	S *	9/2018	Manis	D9/454	
D835,459	S *	12/2018	Sedgwick	D7/392.1	
D839,739	S *	2/2019	Stammen	D9/454	
D843,211	S *	3/2019	Ghorbani	D9/443	
D845,764	S *	4/2019	Stammen	D9/454	
D854,878	S *	7/2019	Duvigneau	D7/391	

D861,486	S *	10/2019	Stammen	D9/454	
D871,906	S *	1/2020	Ramsey	D9/454	
D875,528	S *	2/2020	Houliaris	D9/454	
D876,230	S *	2/2020	Hagg	D9/443	
D877,558	S *	3/2020	Dorfmueller	D7/391	
10,723,522	B1 *	7/2020	Staczek	B65D 43/0212	
D899,252	S *	10/2020	Wang	D9/454	
D909,203	S *	2/2021	Palazzolo	D9/436	
2008/0054005	A1 *	3/2008	Cai	B65D 47/0847	220/711
2009/0266828	A1 *	10/2009	Cai	B65D 43/0212	220/712

(Continued)

Primary Examiner — Brett Miller

Assistant Examiner — Rani J Abdallah

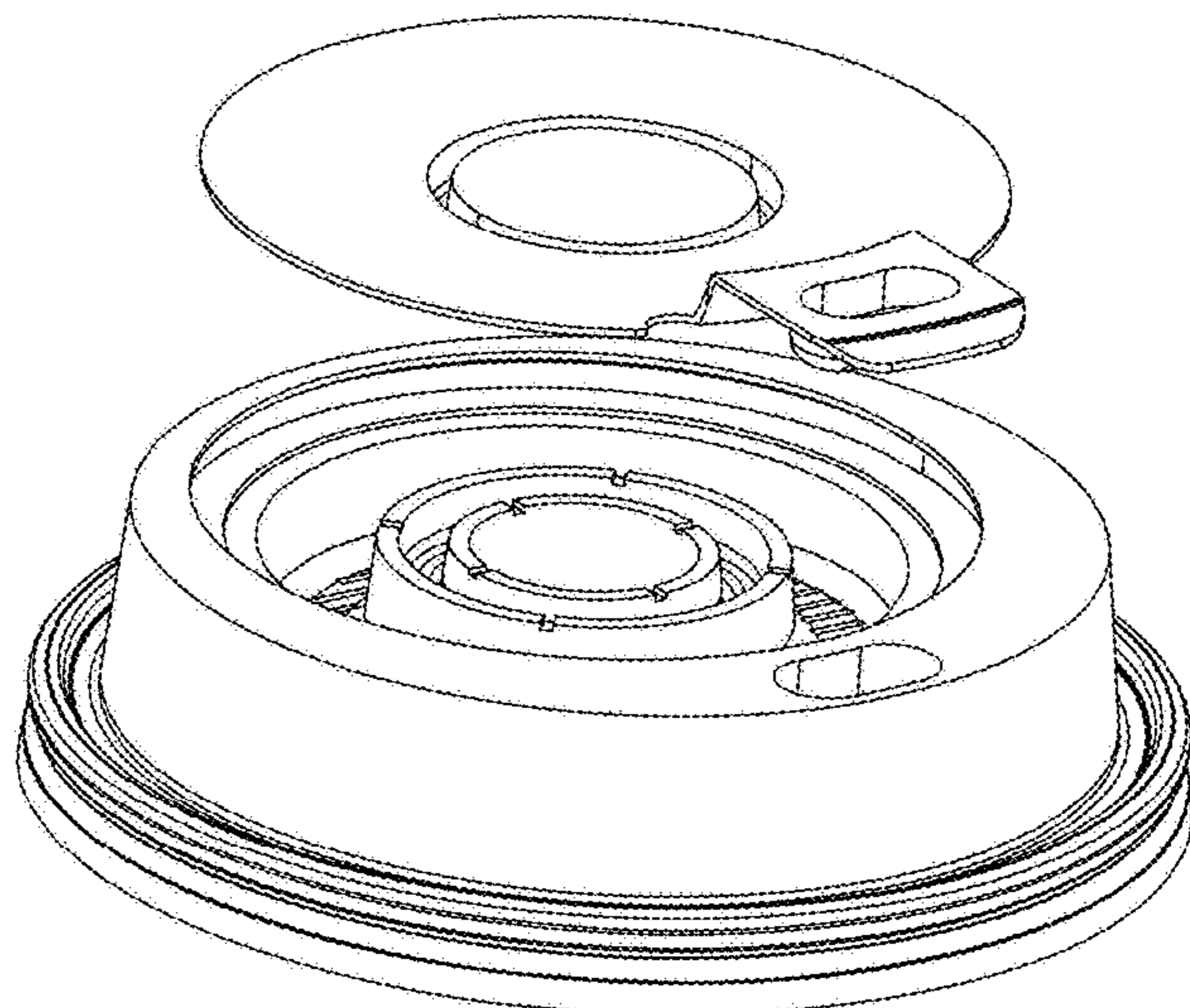
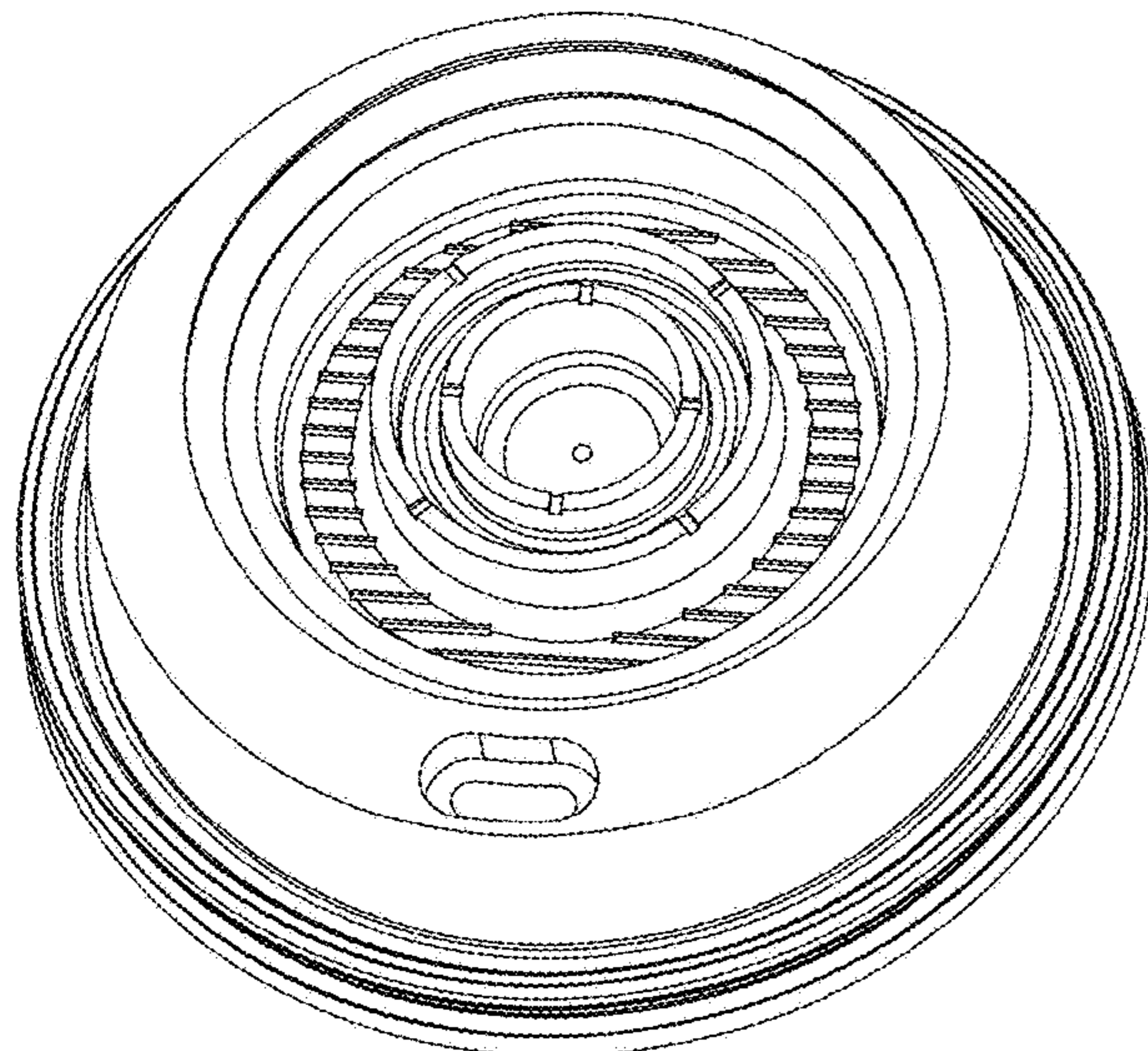
(57) **CLAIM**

The ornamental design for a hot cup lid, as shown and described.

DESCRIPTION

FIG. 1 is a perspective view of a hot cup lid showing my design;
 FIG. 2 is a front elevational view thereof;
 FIG. 3 is a rear elevational view thereof;
 FIG. 4 is a left side view thereof;
 FIG. 5 is a right side view thereof;
 FIG. 6 is a top plan view thereof;
 FIG. 7 is a bottom plan view thereof;
 FIG. 8 is an enlarged partial view of FIG. 7 thereof;
 FIG. 9 is an auxiliary elevation view of the hot cup lid;
 FIG. 10 is a reference view showing the hot cup lid in an in-use state;
 FIG. 11 is another reference view showing the hot cup lid in an in-use state; and,
 FIG. 12 is another yet reference view showing the hot cup lid in an in-use state.
 The broken line showing is for illustrative purposes only and forms no part of the claimed design.

1 Claim, 10 Drawing Sheets



(56)

References Cited

U.S. PATENT DOCUMENTS

2011/0174658 A1* 7/2011 Otsubo B65D 21/0219
206/508

* cited by examiner

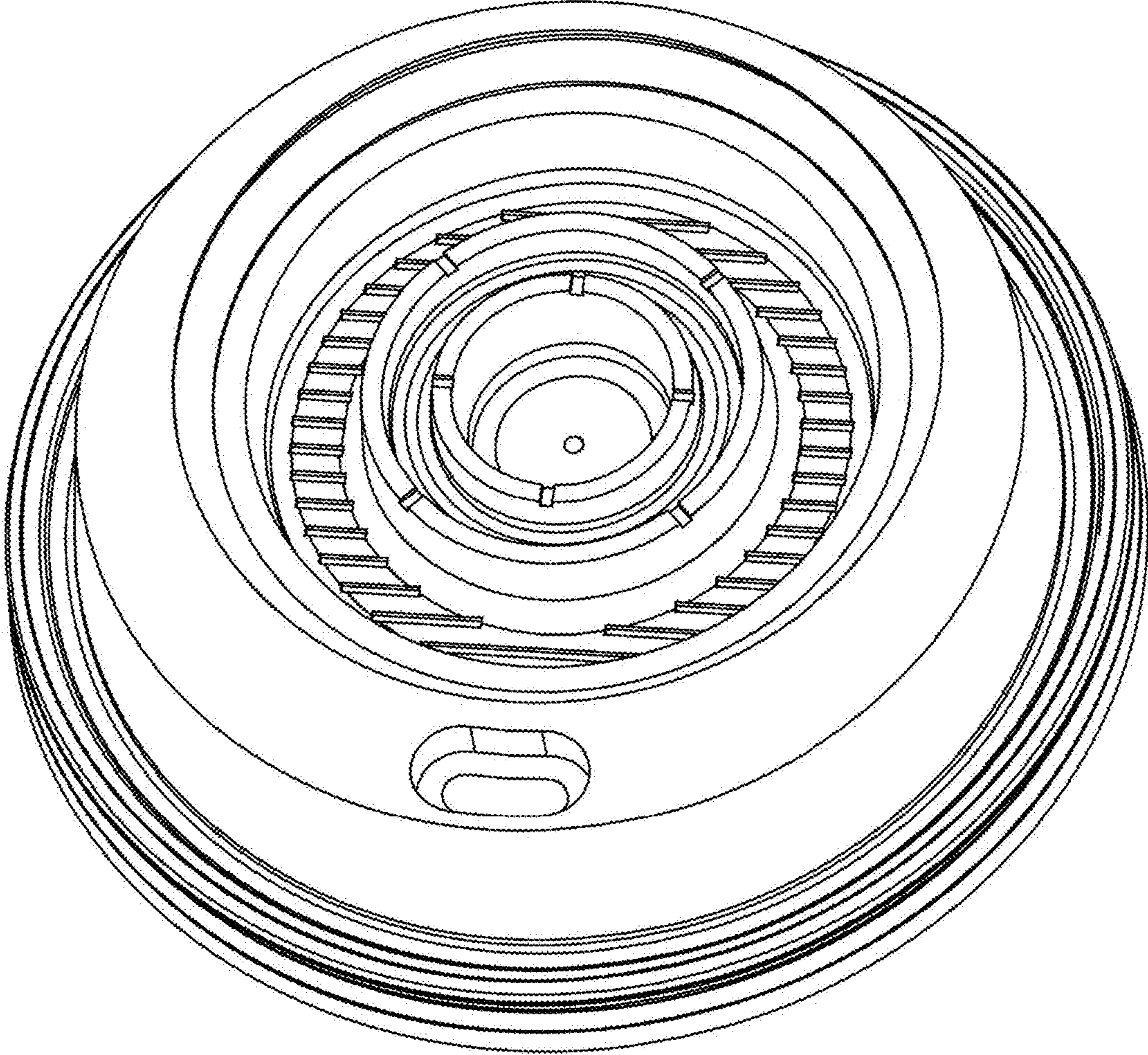


FIG. 1

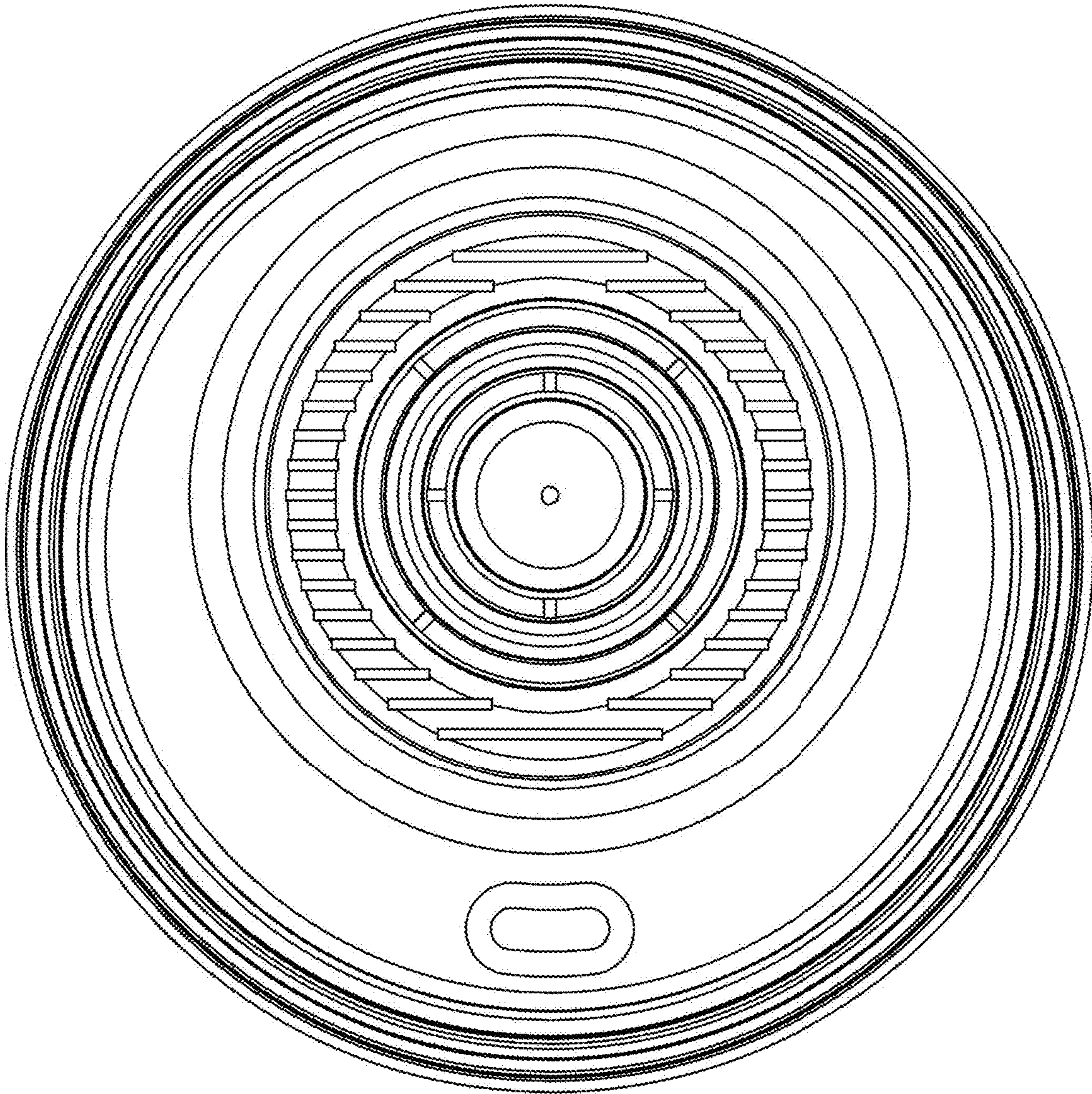


FIG. 2

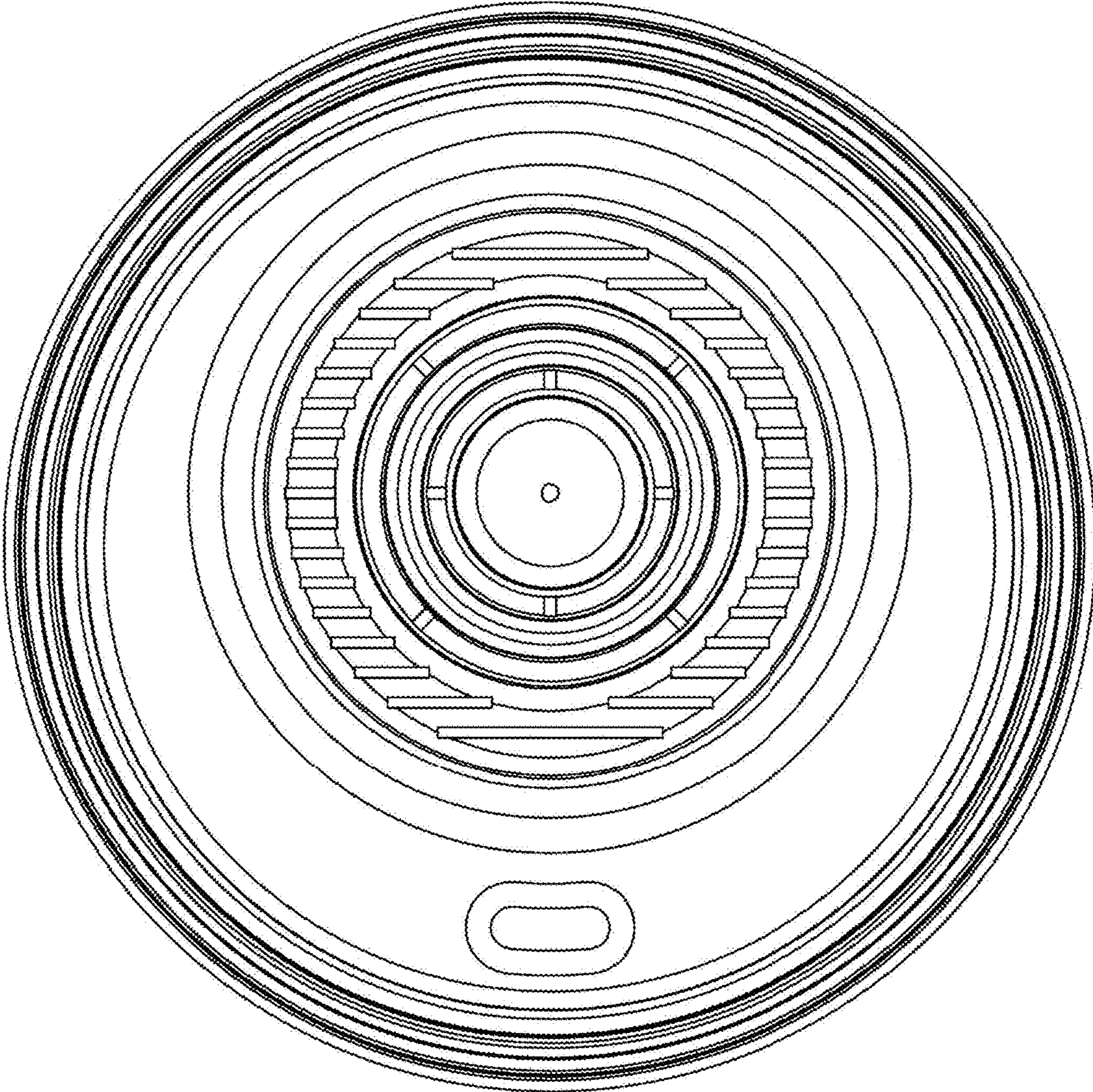


FIG. 3

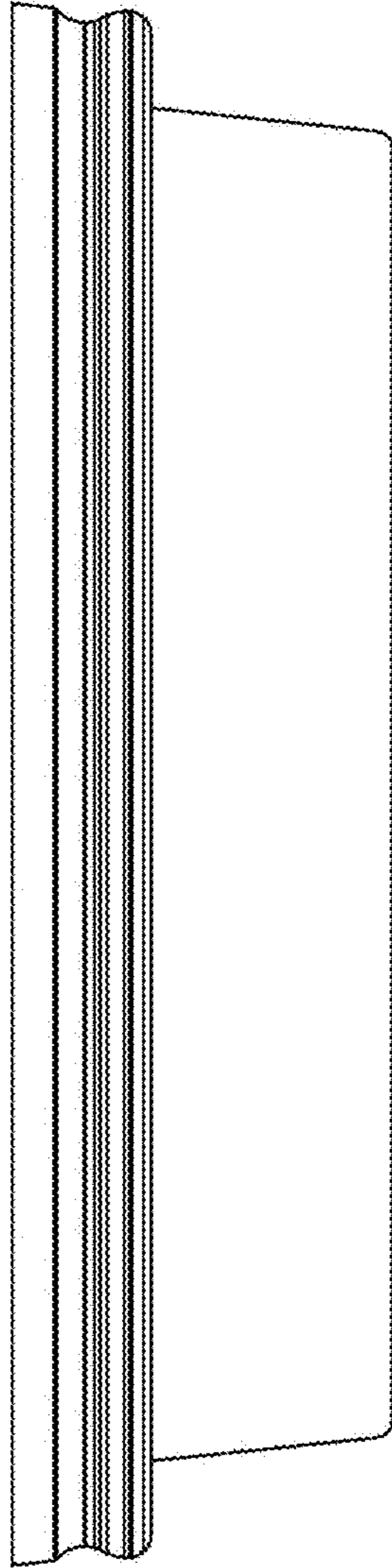


FIG. 4

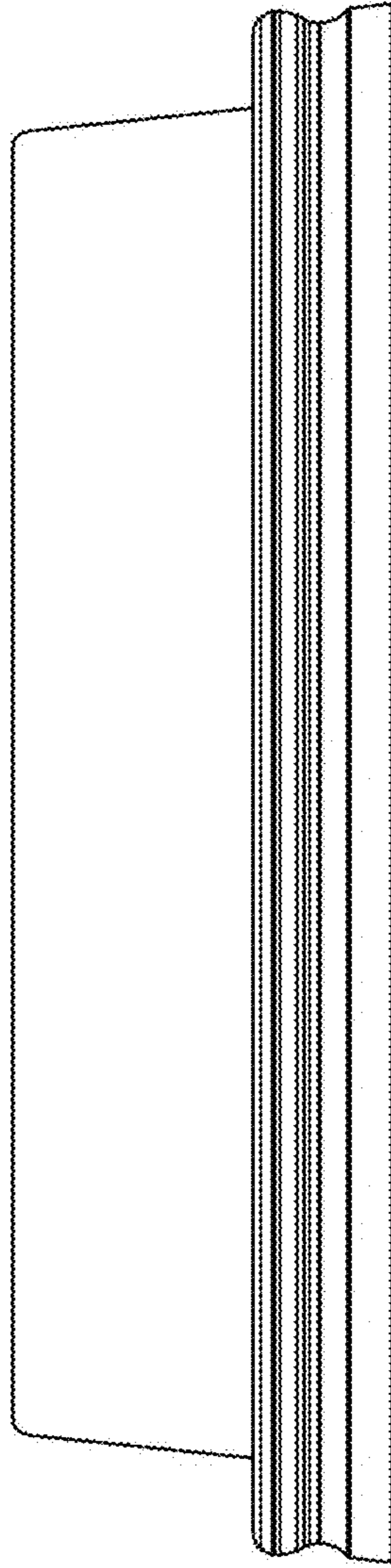


FIG. 5

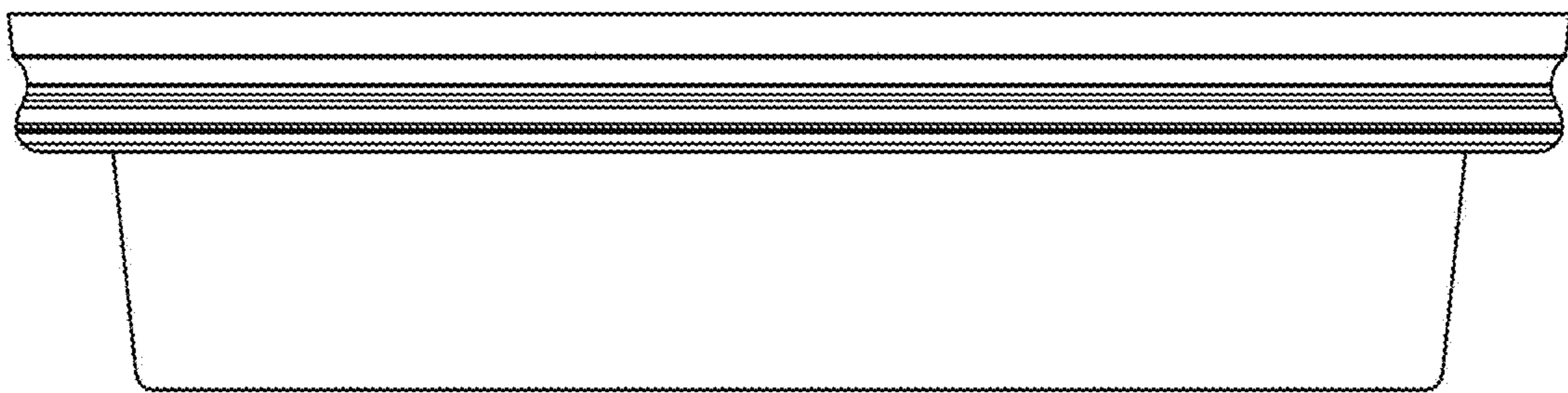


FIG. 6

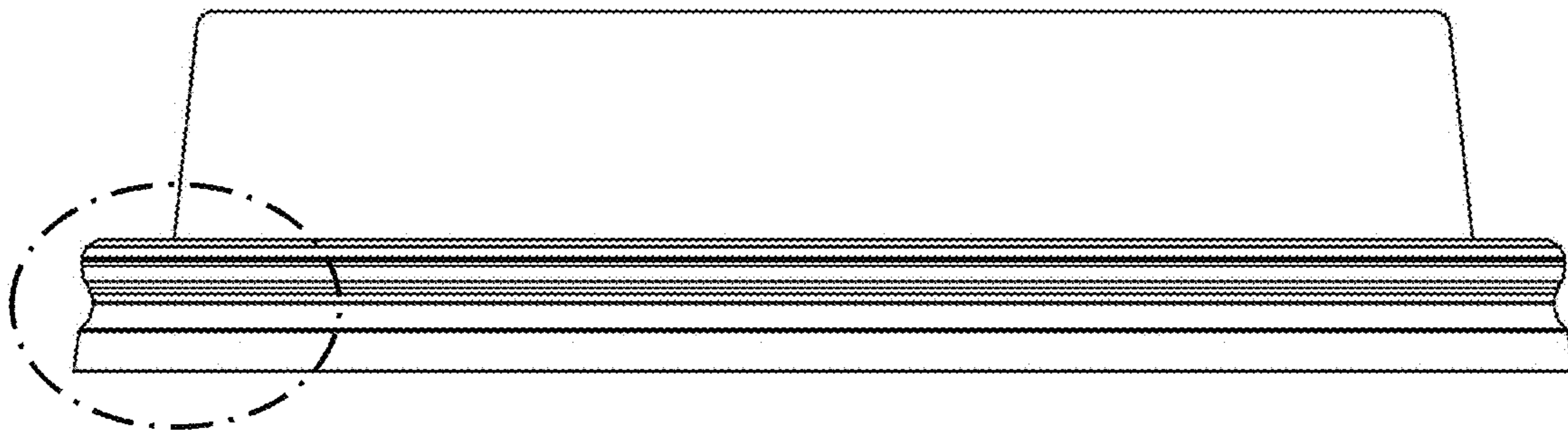


FIG. 7

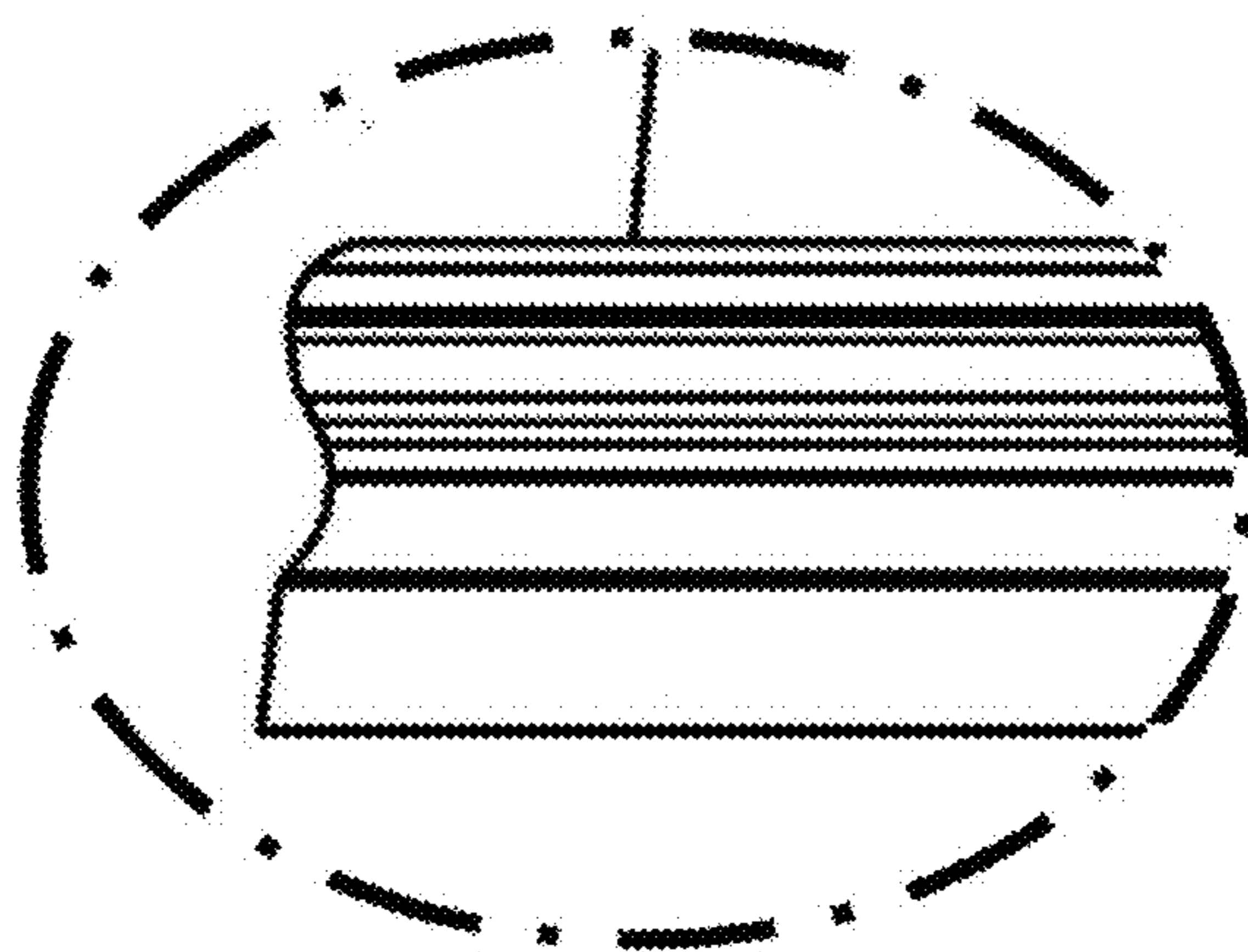


FIG. 8

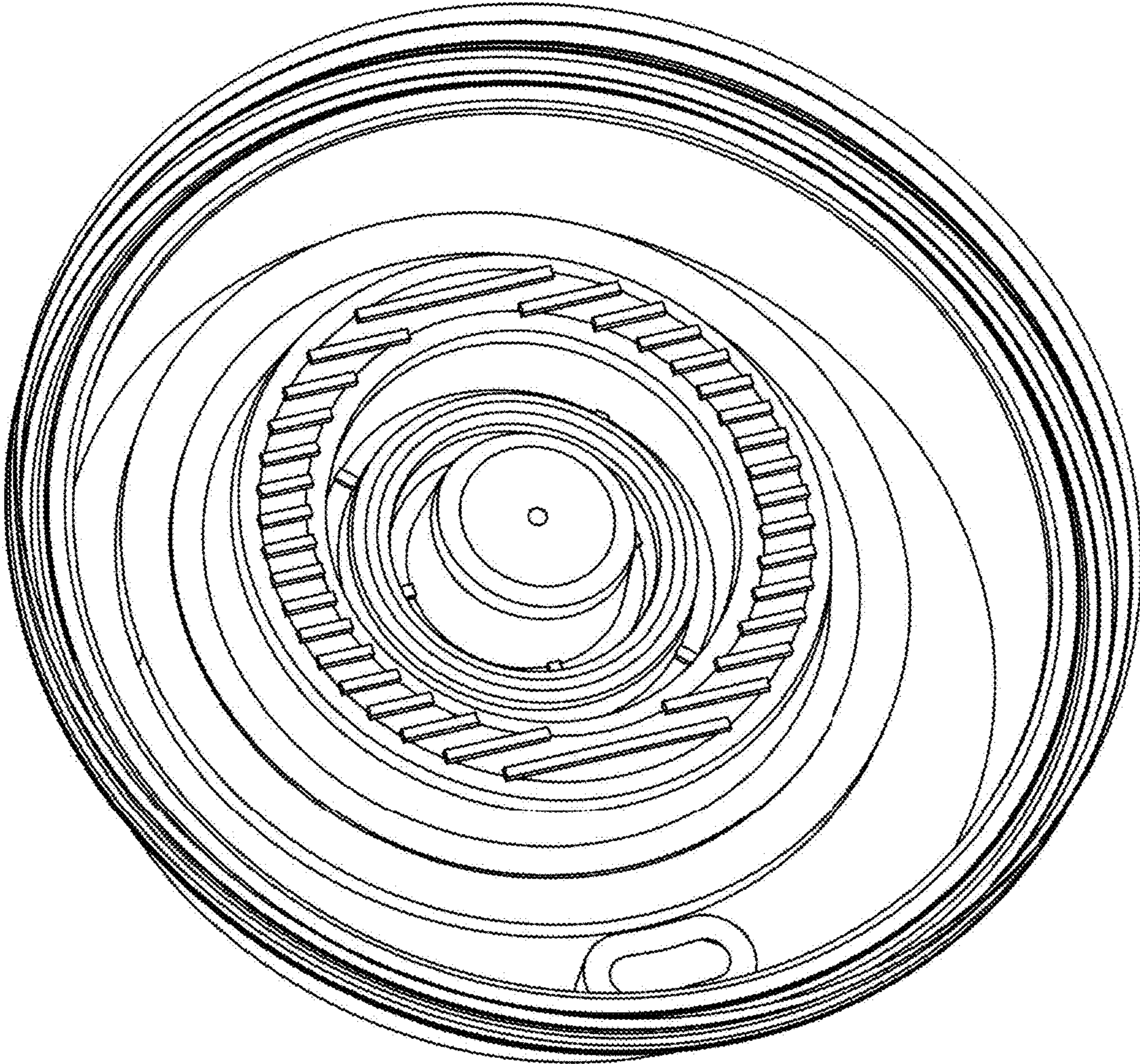


FIG. 9

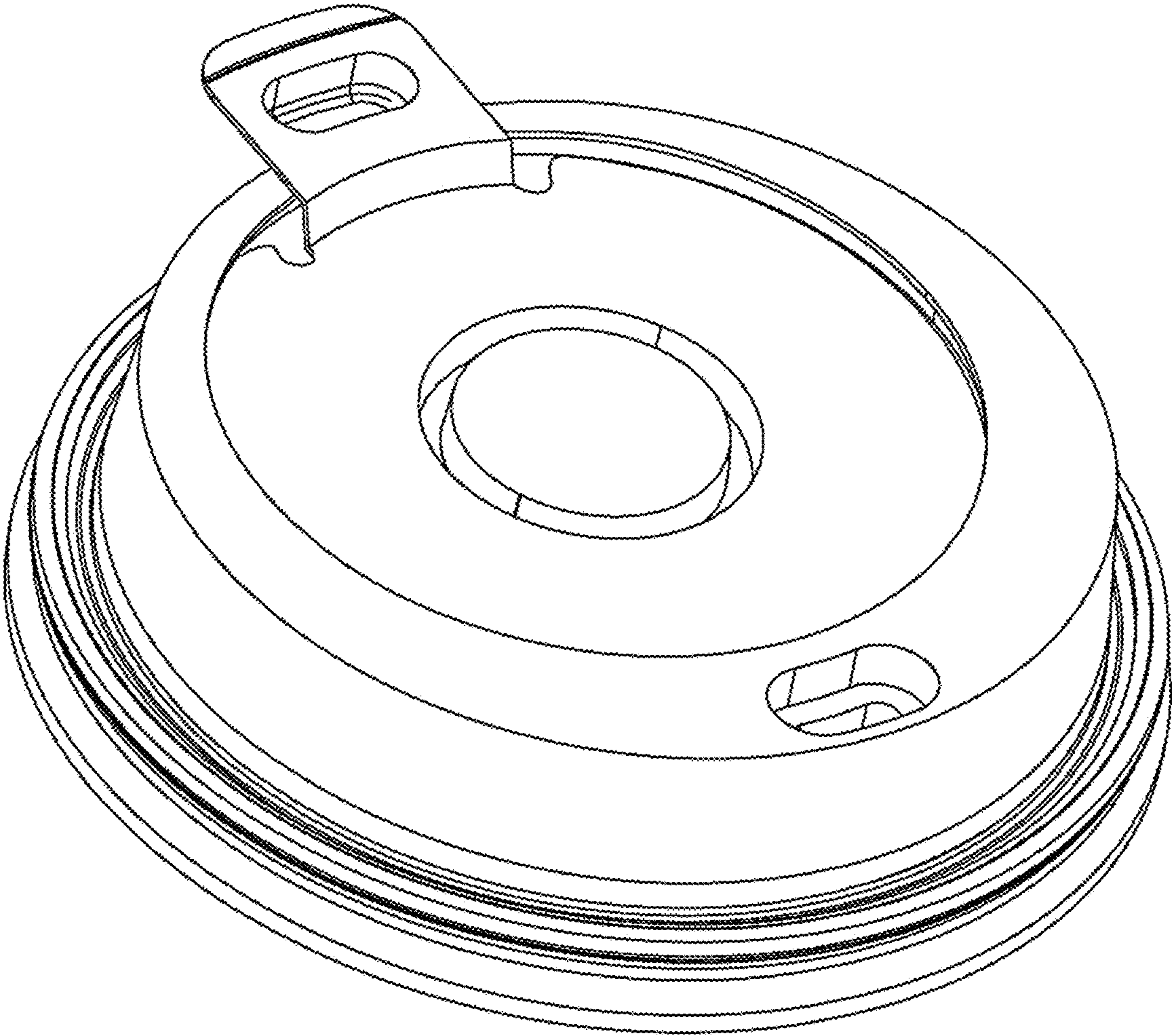


FIG. 10

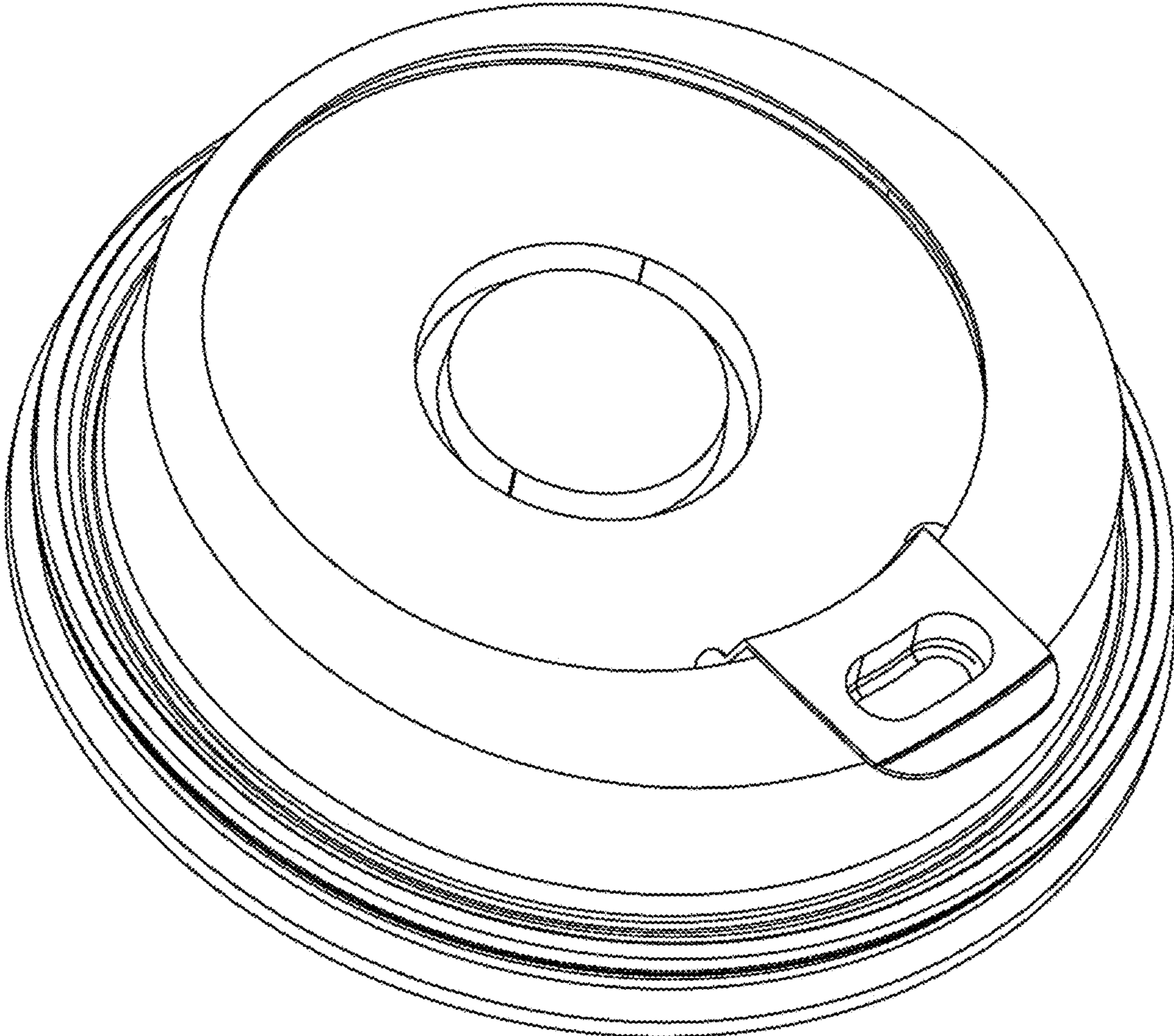


FIG. 11

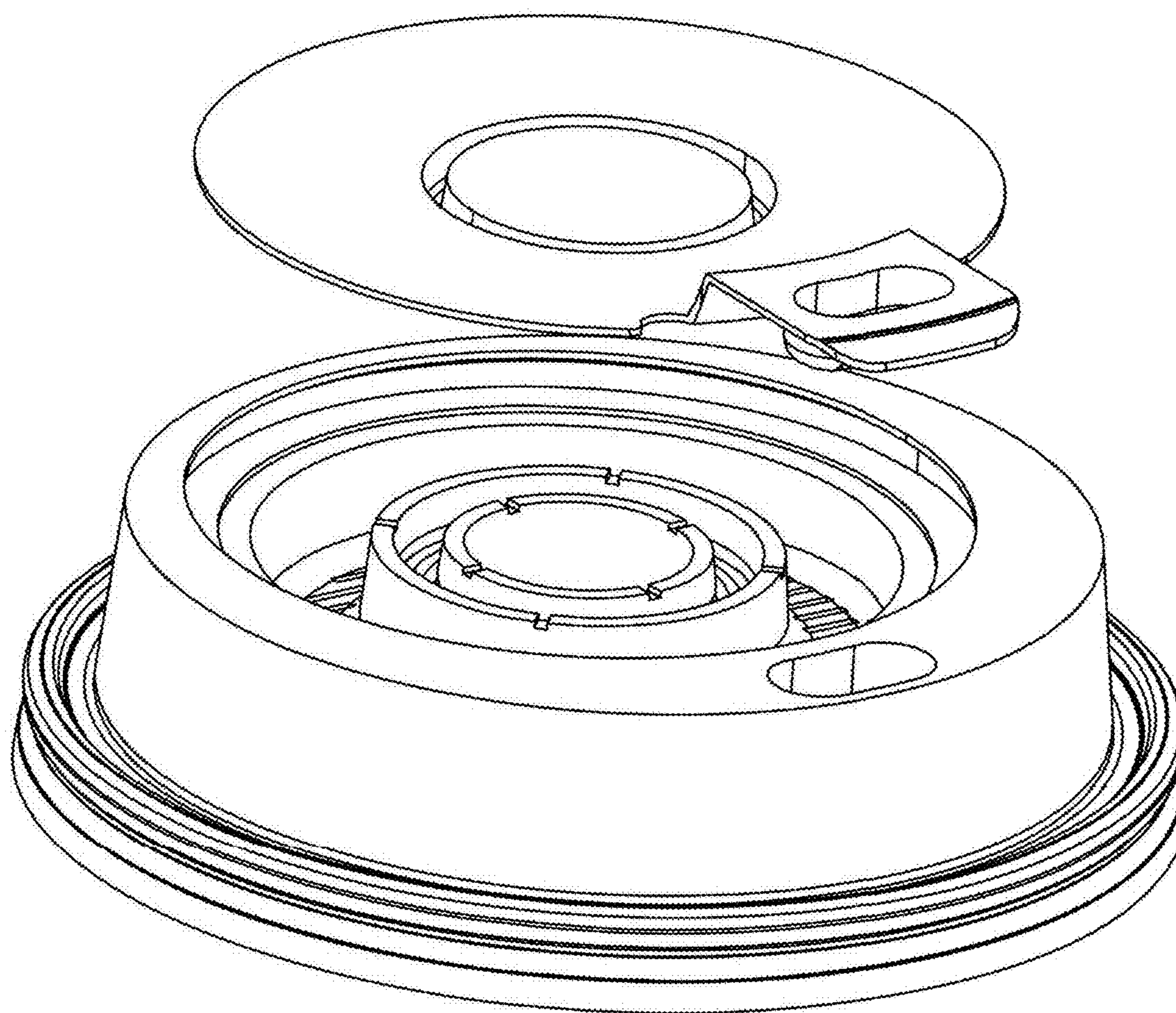


FIG. 12