



US00D953160S

(12) **United States Design Patent**
Marotti et al.

(10) **Patent No.:** **US D953,160 S**

(45) **Date of Patent:** **** May 31, 2022**

(54) **TOOTHPASTE CARTON**

(71) Applicant: **The Procter & Gamble Company,**
Cincinnati, OH (US)

(72) Inventors: **Martin Jay Marotti,** Carmel, IN (US);
Jennifer Kay Seiser, Cincinnati, OH
(US); **Eric Donald Weller,** Liberty
Township, OH (US)

(73) Assignee: **The Procter & Gamble Company,**
Cincinnati, OH (US)

(**) Term: **15 Years**

(21) Appl. No.: **29/717,332**

(22) Filed: **Dec. 17, 2019**

(51) **LOC (13) Cl.** **09-03**

(52) **U.S. Cl.**
USPC **D9/432**

(58) **Field of Classification Search**
USPC D3/322; D5/56, 59, 60, 62; D7/601,
D7/602, 609, 703; D9/414, 415, 416,
(Continued)

(56) **References Cited**

U.S. PATENT DOCUMENTS

D216,871 S 3/1970 Leis
D275,837 S 10/1984 Poelvoorde
(Continued)

FOREIGN PATENT DOCUMENTS

RU 00087183 * 12/2013
WO D208724001 12/2020
(Continued)

OTHER PUBLICATIONS

Amazon.com : Crest Toothpaste 3D White Glamorous White:
Reviewed Mar. 19, 2018, online]. Site Visited [Dec. 16, 2020,

online]. Available from Internet URL: <https://www.amazon.com/Crest-White-Luxe-Glamorous-Toothpaste/dp/B01KZOTTZW> (Year: 2018).*

(Continued)

Primary Examiner — Leanne Was-Englehart
(74) *Attorney, Agent, or Firm* — Parker McCrary

(57) **CLAIM**

The ornamental design for a toothpaste carton, as shown and described.

DESCRIPTION

The file of this patent contains at least one drawing/photograph executed in color. Copies of this patent with color drawing(s)/photograph(s) will be provided by the Office upon request and payment of the necessary fee.

FIG. 1 is a front, right, bottom perspective view of a first embodiment of a toothpaste carton;
FIG. 2 is a front view thereof;
FIG. 3 is a right side view thereof;
FIG. 4 is a back view thereof;
FIG. 5 is a left side view thereof;
FIG. 6 is a top view thereof; and
FIG. 7 is a bottom view thereof.
FIG. 8 is a front, right, bottom perspective view of a second embodiment of a toothpaste carton;
FIG. 9 is a front view thereof;
FIG. 10 is a right side view thereof;
FIG. 11 is a back view thereof;
FIG. 12 is a left side view thereof;
FIG. 13 is a top view thereof; and
FIG. 14 is a bottom view thereof.
FIG. 15 is a front, right, bottom perspective view of a third embodiment of a toothpaste carton;
FIG. 16 is a front view thereof;
FIG. 17 is a right side view thereof;
FIG. 18 is a back view thereof; and
FIG. 19 is a left side view thereof;
FIG. 20 is a top view thereof; and
FIG. 21 is a bottom view thereof.
FIG. 22 is a front, right, bottom perspective view of a fourth embodiment of a toothpaste carton;

(Continued)

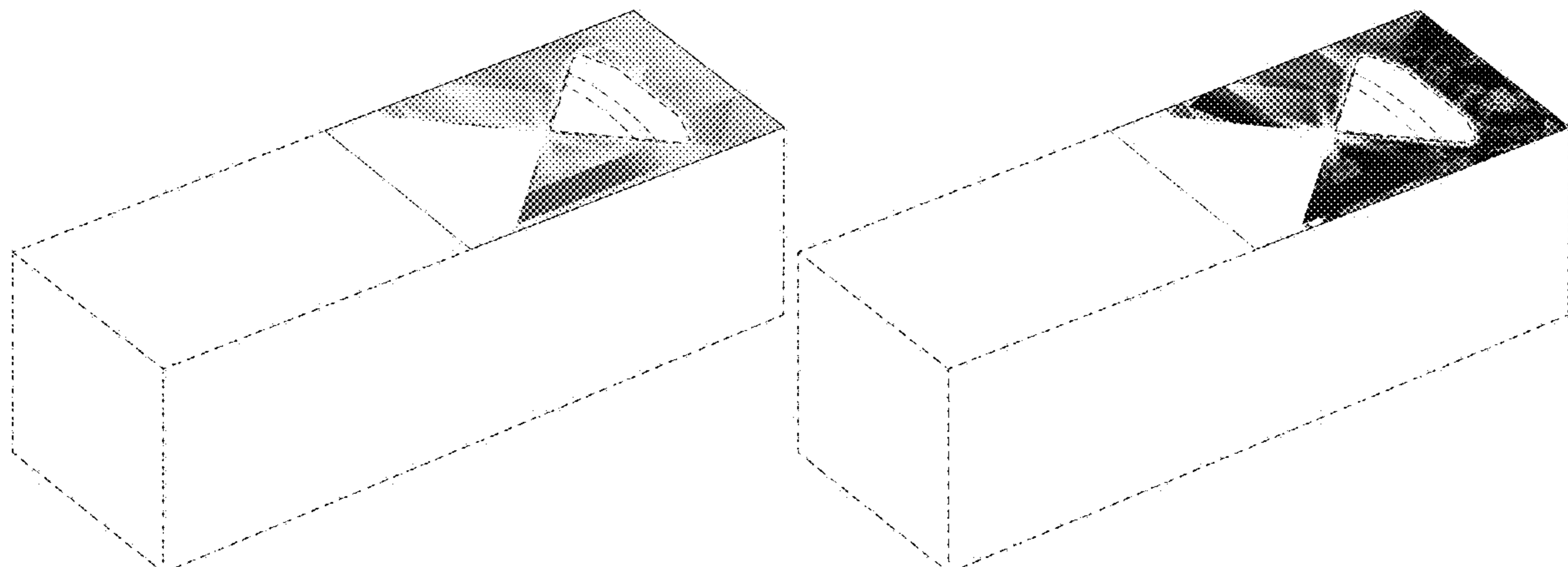


FIG. 23 is a front view thereof;
 FIG. 24 is a right side view thereof;
 FIG. 25 is a back view thereof;
 FIG. 26 is a left side view thereof;
 FIG. 27 is a top view thereof; and,
 FIG. 28 is a bottom view thereof.
 The broken lines are shown for the purpose of illustrating parts of the article that form no part of the claim. The dot-dash lines represent the boundaries of the claim and form no part thereof.

**1 Claim, 12 Drawing Sheets
 (4 of 12 Drawing Sheet(s) Filed in Color)**

(58) **Field of Classification Search**

USPC D9/418, 420, 423, 425, 432, 433, 453,
 D9/454, 457, 703, 713; D27/175, 186;
 D28/66, 73
 CPC B65D 35/34; B65D 75/32; B65D 77/24;
 B65D 5/00; B65D 5/01; B65D 5/02;
 B65D 5/0209; B65D 5/0272; B65D
 5/029; B65D 5/40; B65D 5/72; B65D
 5/541; B65D 5/705; B65D 5/706; B65D
 5/727; B65D 5/4204; B65D 1/00; B65D
 1/02; B65D 1/0233; B65D 1/22; B65D
 1/32; B65D 1/36; B65D 1/40; B65D
 1/225; B65D 23/00; B65D 23/12; B65D
 23/14; B65D 2203/00; B65D 2203/02;
 B65D 2501/0008; B65D 2543/00296;
 B65D 15/08; B65D 65/22; B65D
 2577/205; B65D 79/00; B65D 81/00;
 B65D 82/00; B65D 85/00; B65D 2585/00

See application file for complete search history.

(56)

References Cited

U.S. PATENT DOCUMENTS

D499,019 S * 11/2004 Sagmeister D9/418
 D586,210 S 2/2009 Noschang et al.
 D595,129 S 6/2009 Russell et al.
 D626,426 S * 11/2010 Chiang D9/624
 D626,855 S * 11/2010 Chiang D9/624
 D629,044 S 12/2010 Suyama et al.
 D637,486 S 5/2011 Andrew
 D649,874 S 12/2011 Barclay et al.
 D660,145 S 5/2012 Tekulve et al.
 D669,793 S 10/2012 Hynes et al.
 D693,681 S 11/2013 Allen et al.

D701,760 S 4/2014 Fraser et al.
 D706,630 S 6/2014 Merchant et al.
 D711,737 S 8/2014 Hara et al.
 D750,899 S 3/2016 Duparc
 D750,900 S 3/2016 Duparc
 D762,465 S 8/2016 Popper et al.
 D767,398 S 9/2016 Miyazaki et al.
 D776,710 S * 1/2017 Na D14/489
 D777,512 S * 1/2017 Lu D7/396.4
 D784,455 S 4/2017 Sims et al.
 D786,680 S 5/2017 Merchant et al.
 D788,803 S * 6/2017 Lim D14/486
 D791,594 S 7/2017 Klarin
 D798,703 S 10/2017 Hainaut et al.
 D811,218 S * 2/2018 Baldino B65D 71/36
 D9/432
 D821,199 S 6/2018 Boston et al.
 D822,480 S 7/2018 Rivera
 D822,481 S 7/2018 Rivera
 D829,105 S * 9/2018 Templeman D9/629
 D832,500 S * 10/2018 Qiu D27/162
 D833,868 S * 11/2018 Marotti D9/434
 D842,101 S 3/2019 Breen et al.
 D842,102 S 3/2019 Janes et al.
 D842,692 S 3/2019 Breen et al.
 D842,693 S 3/2019 Janes et al.
 D842,694 S 3/2019 Janes et al.
 D848,850 S * 5/2019 Gillespie D9/529
 D850,909 S * 6/2019 Ogaki D9/432
 D852,820 S 7/2019 Sanchez
 D854,551 S 7/2019 Pistiner et al.
 D855,452 S 8/2019 Palacios et al.
 D867,878 S * 11/2019 Pushkar D9/434
 D867,879 S * 11/2019 Pushkar D9/434
 D870,551 S 12/2019 Klesmith
 D871,210 S 12/2019 Clifton
 D874,270 S * 2/2020 Seo D9/434
 D880,293 S 4/2020 Redding
 D885,654 S * 5/2020 Ding D27/162
 D895,197 S * 9/2020 Cheung D27/101
 D899,679 S * 10/2020 Liu D27/162

FOREIGN PATENT DOCUMENTS

WO D208724004 12/2020
 WO D208724005 12/2020
 WO D208724006 12/2020
 WO D208725006 12/2020
 WO D208725007 12/2020
 WO D208725008 12/2020

OTHER PUBLICATIONS

All Office Actions, U.S. Appl. No. 29/773,754.

* cited by examiner

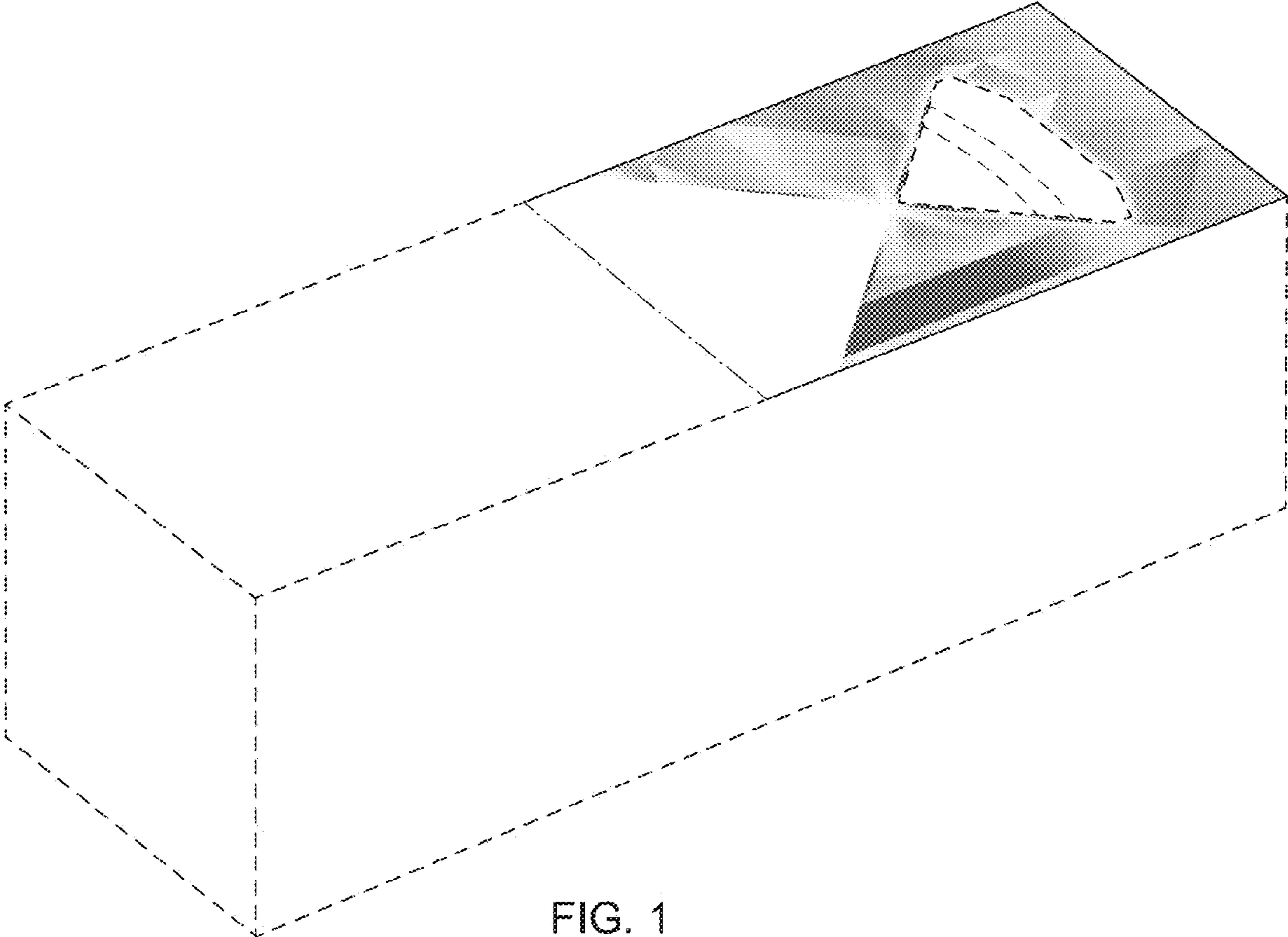


FIG. 1

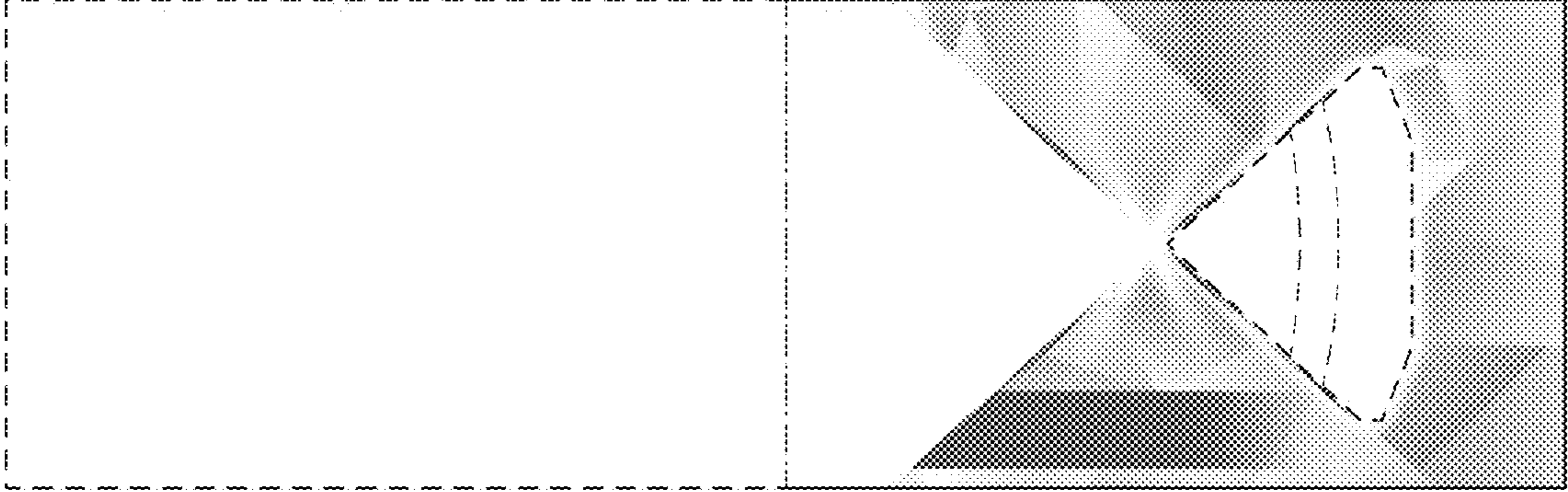


FIG. 2

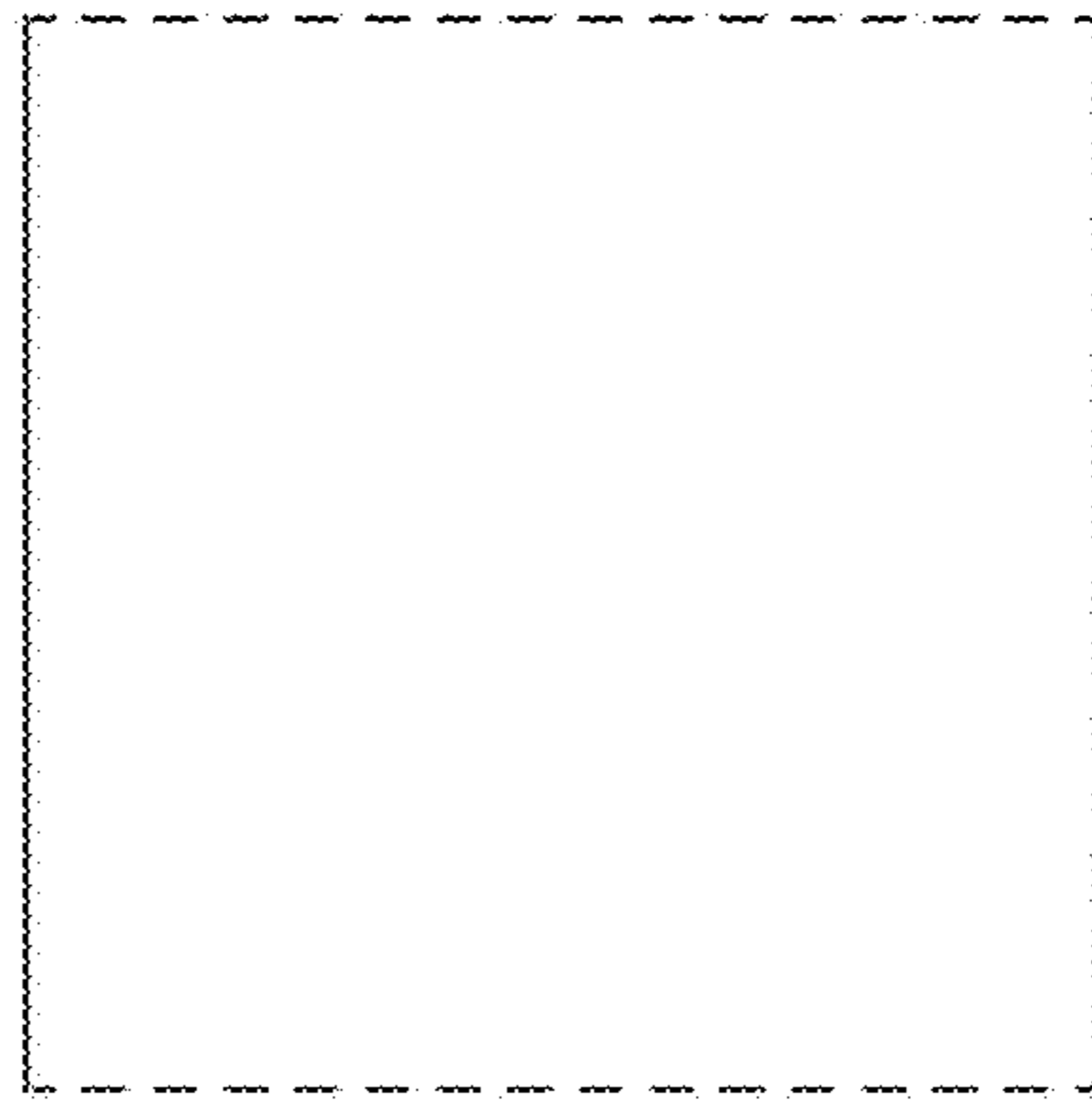


FIG. 3



FIG. 4

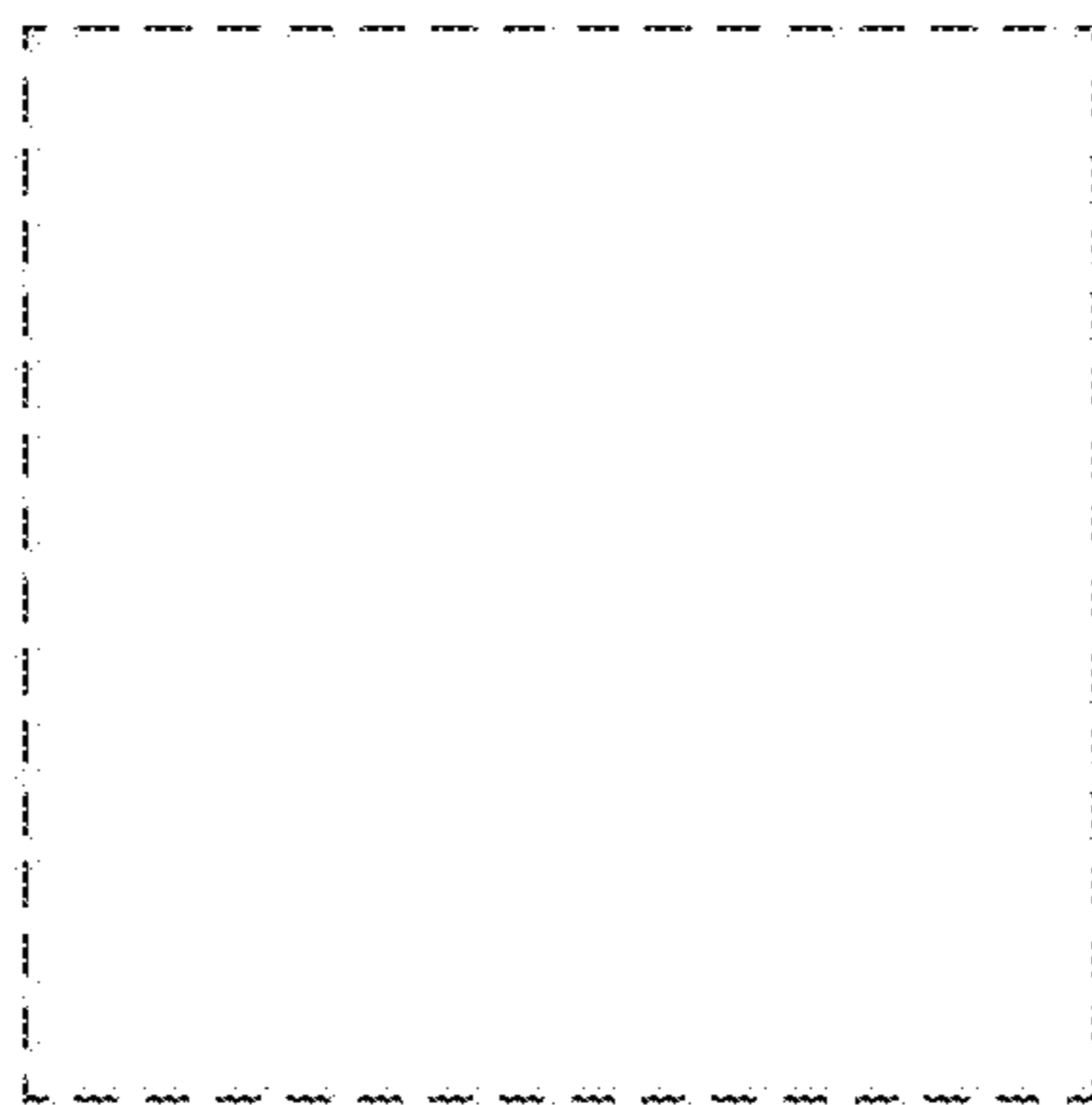


FIG. 5

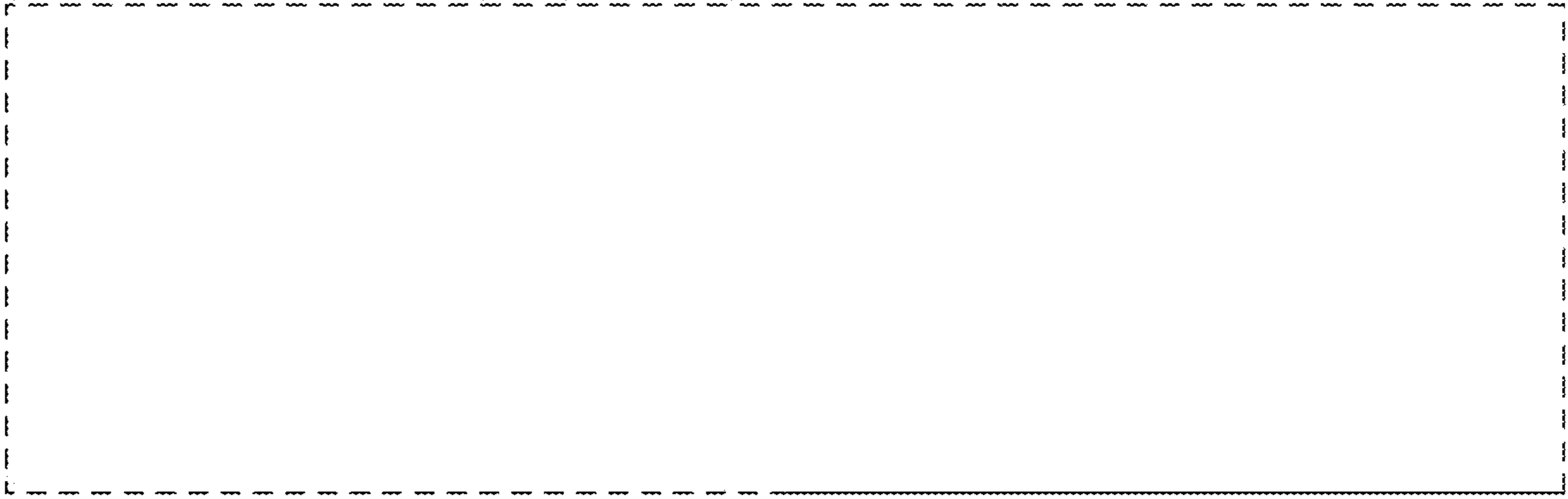


FIG. 6

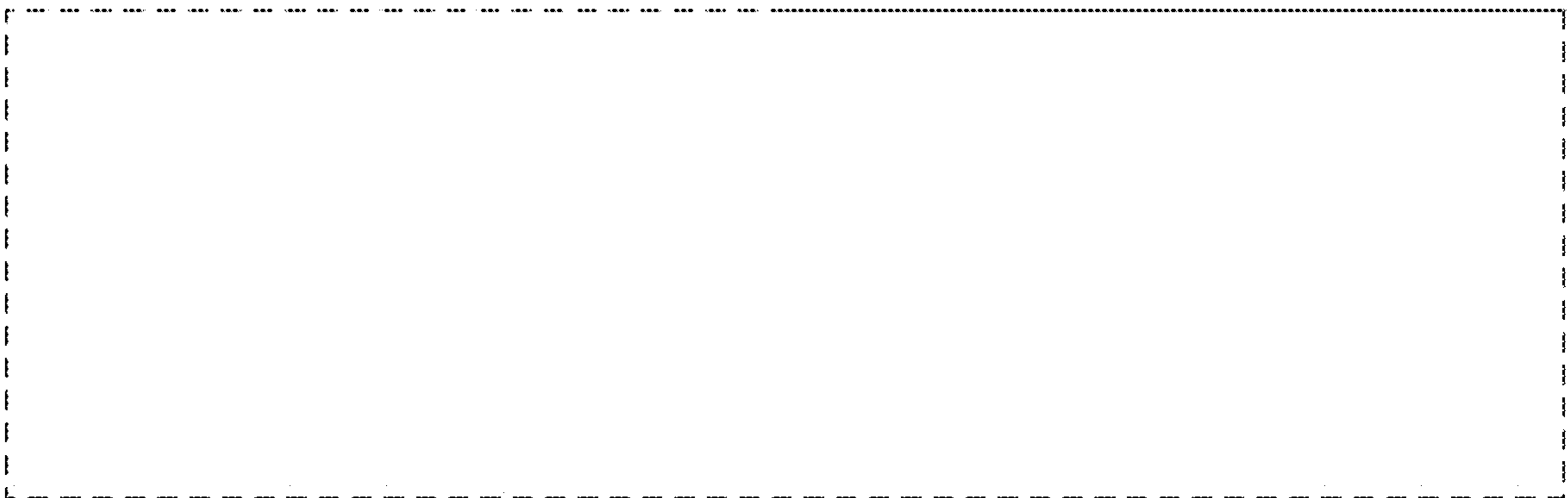


FIG. 7

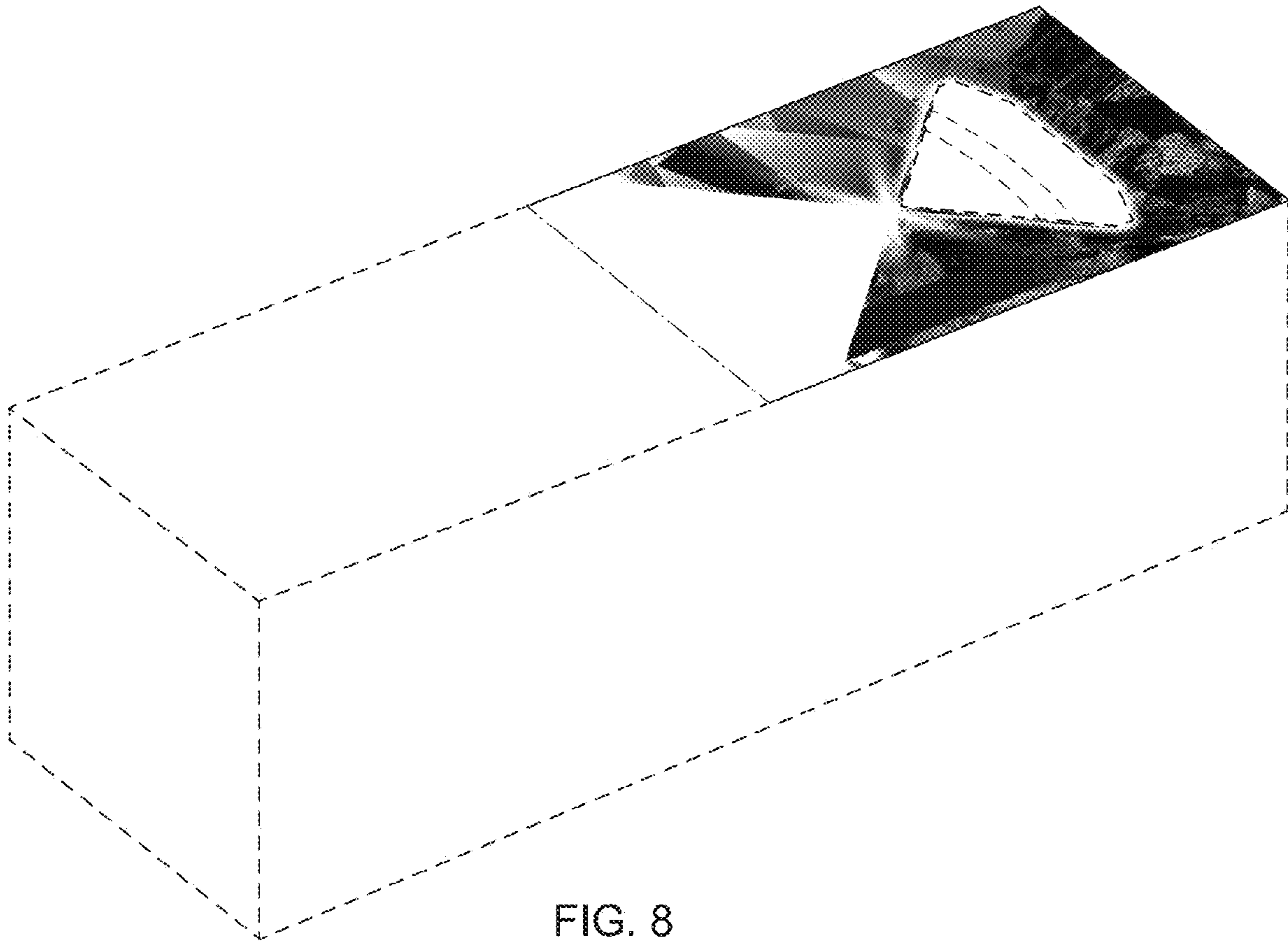


FIG. 8

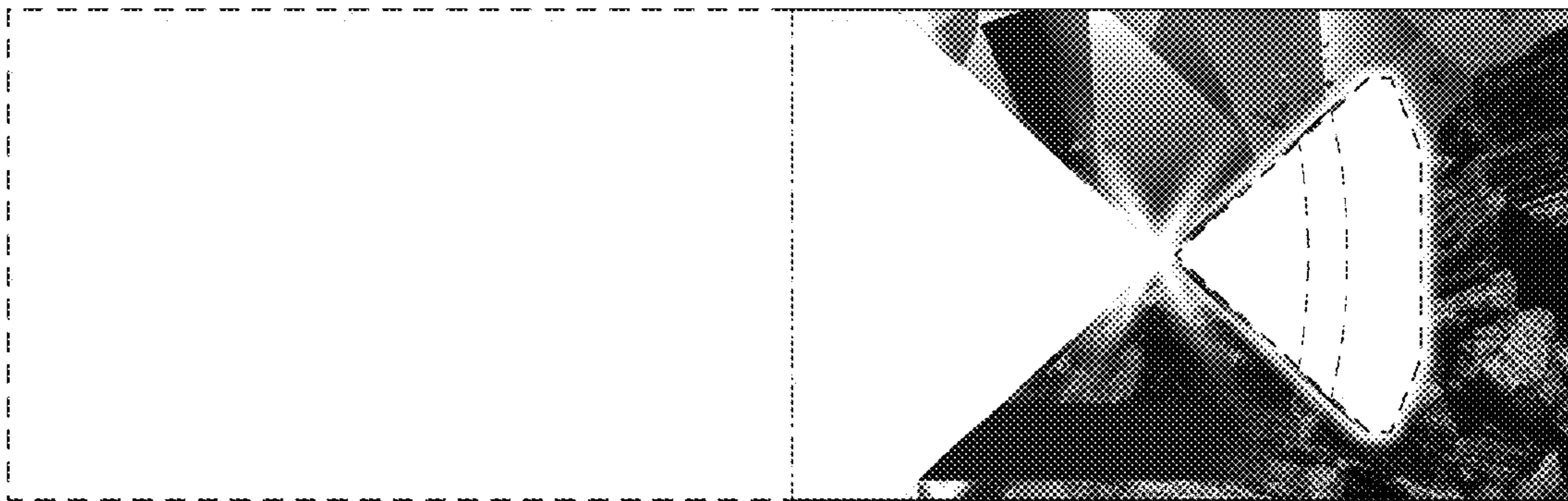


FIG. 9

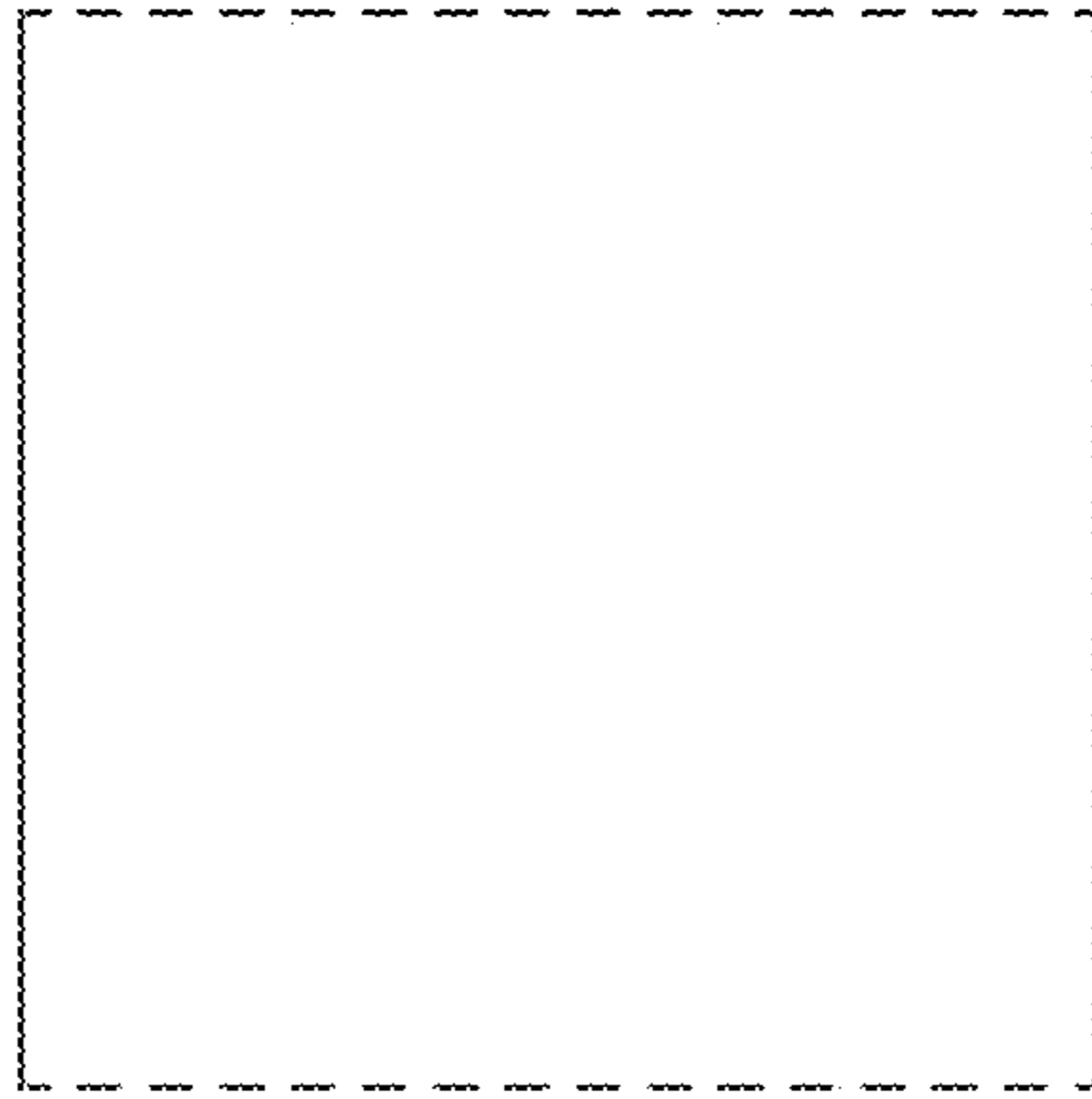


FIG. 10



FIG. 11

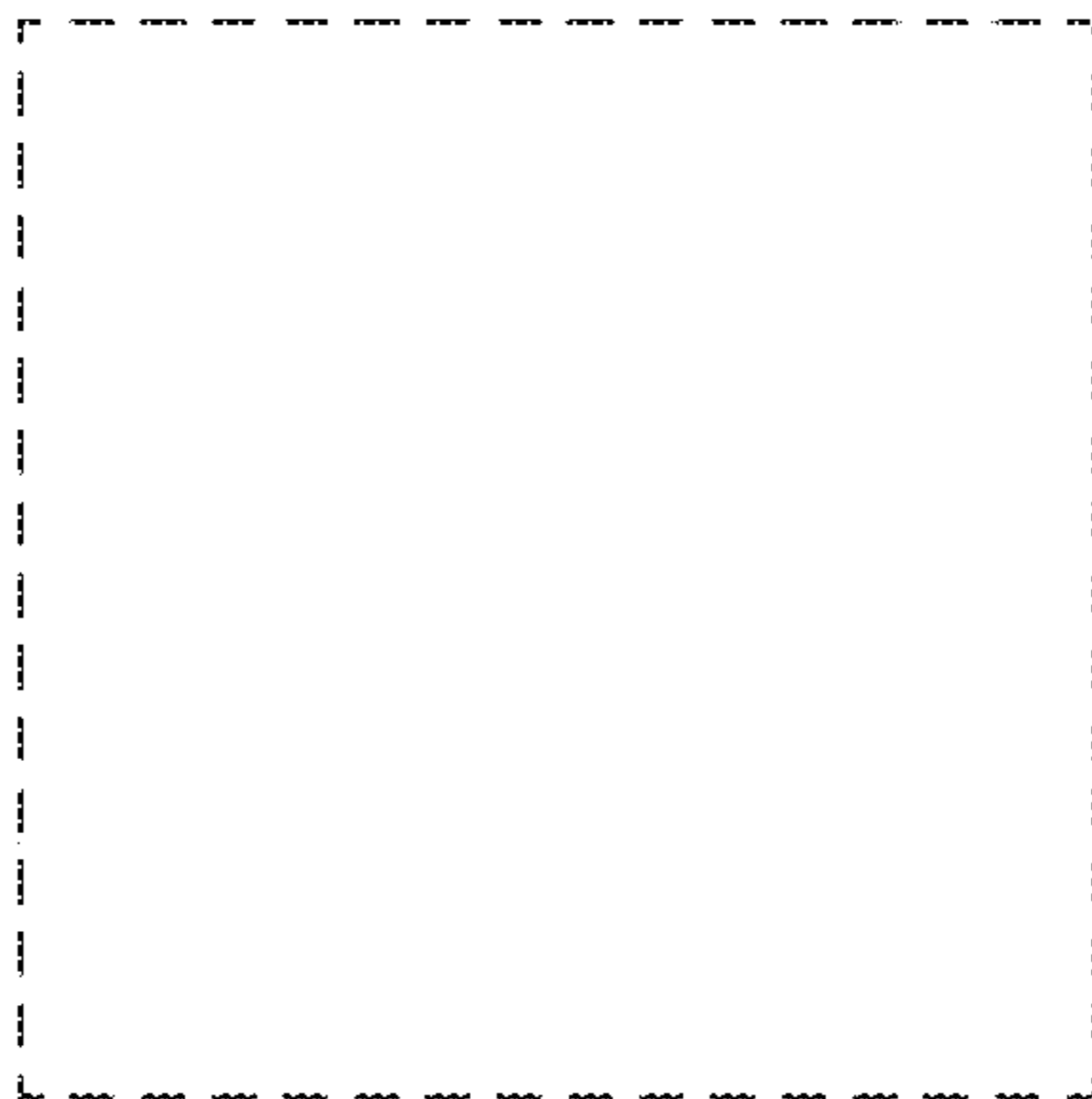


FIG. 12

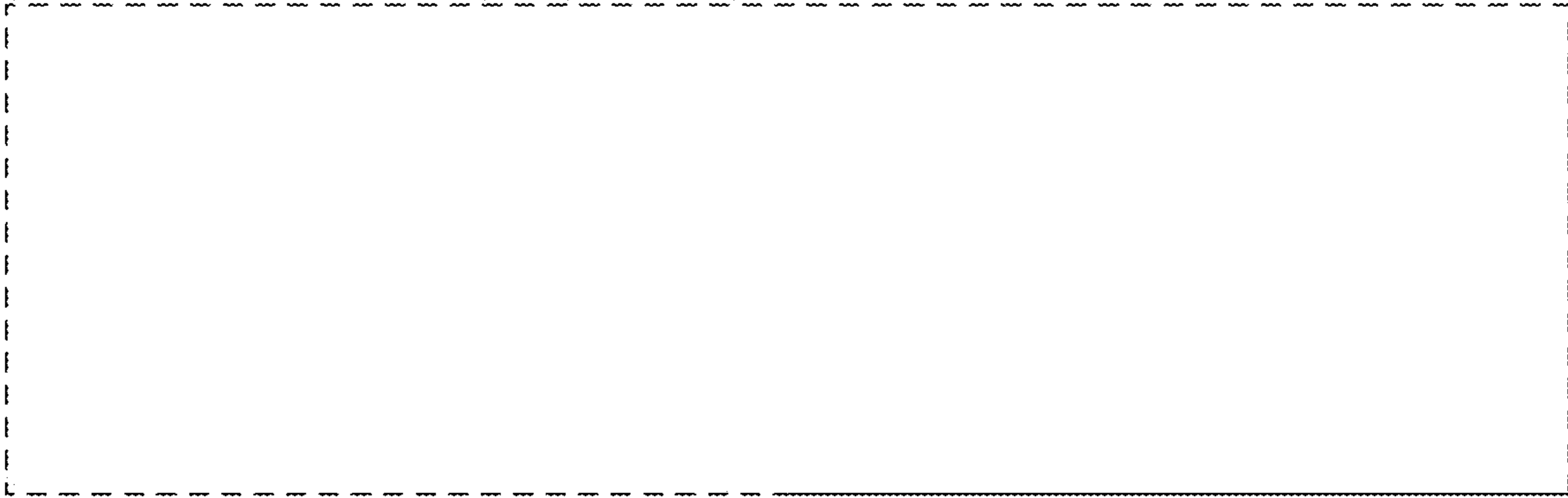


FIG. 13

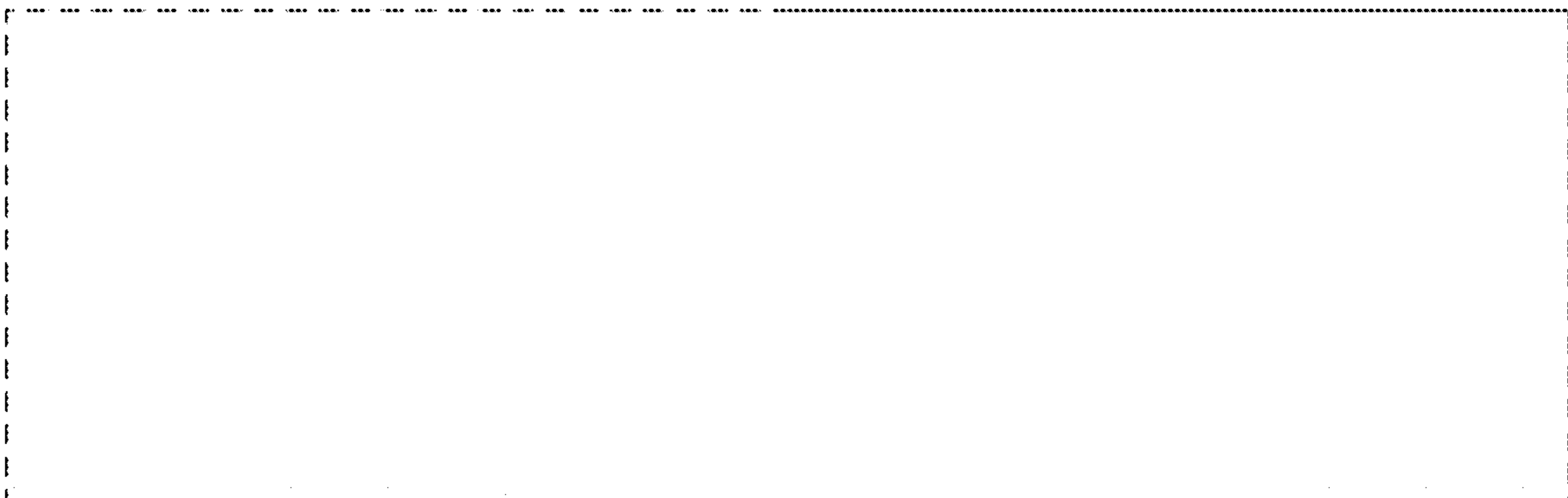


FIG. 14

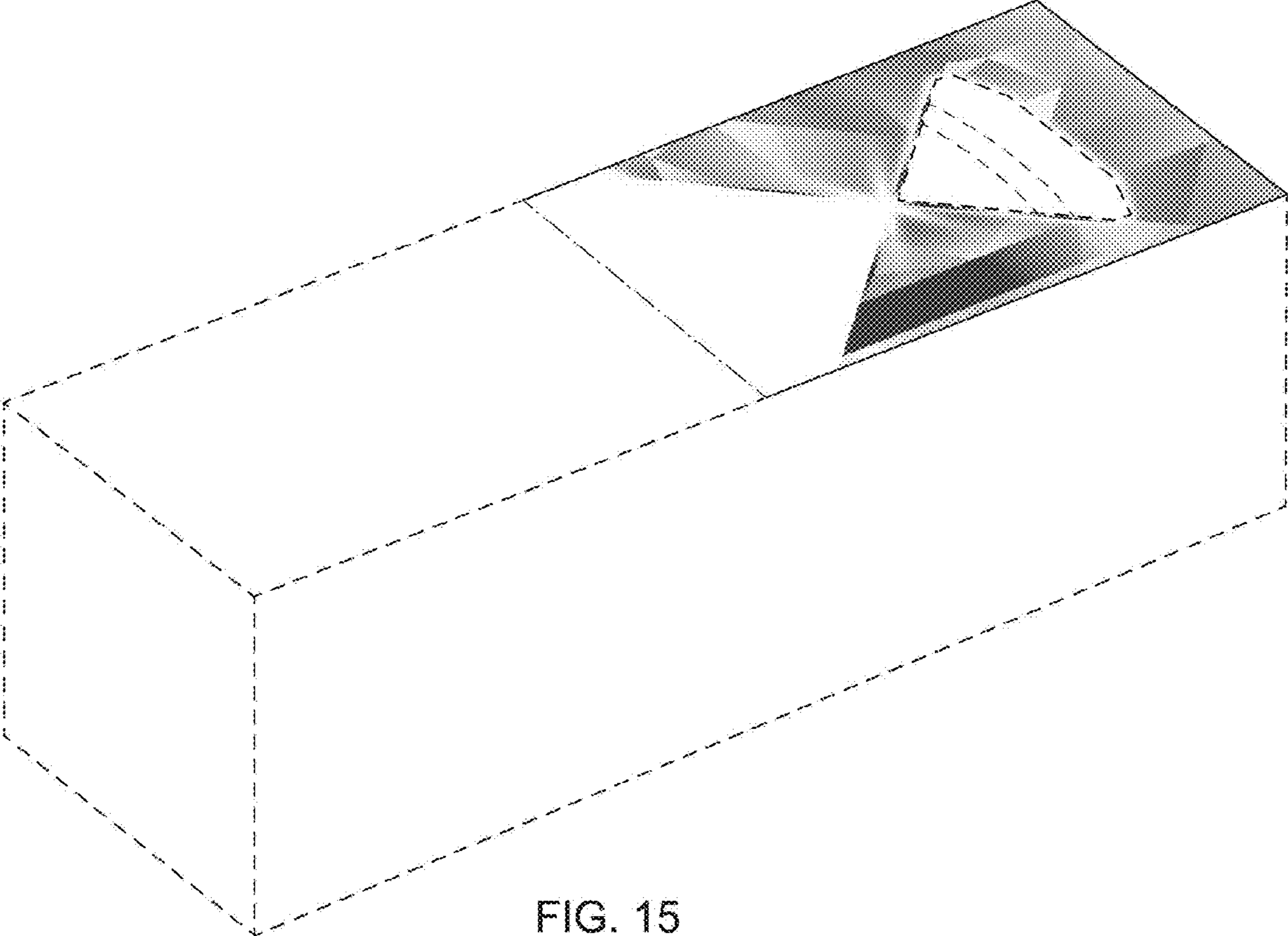


FIG. 15

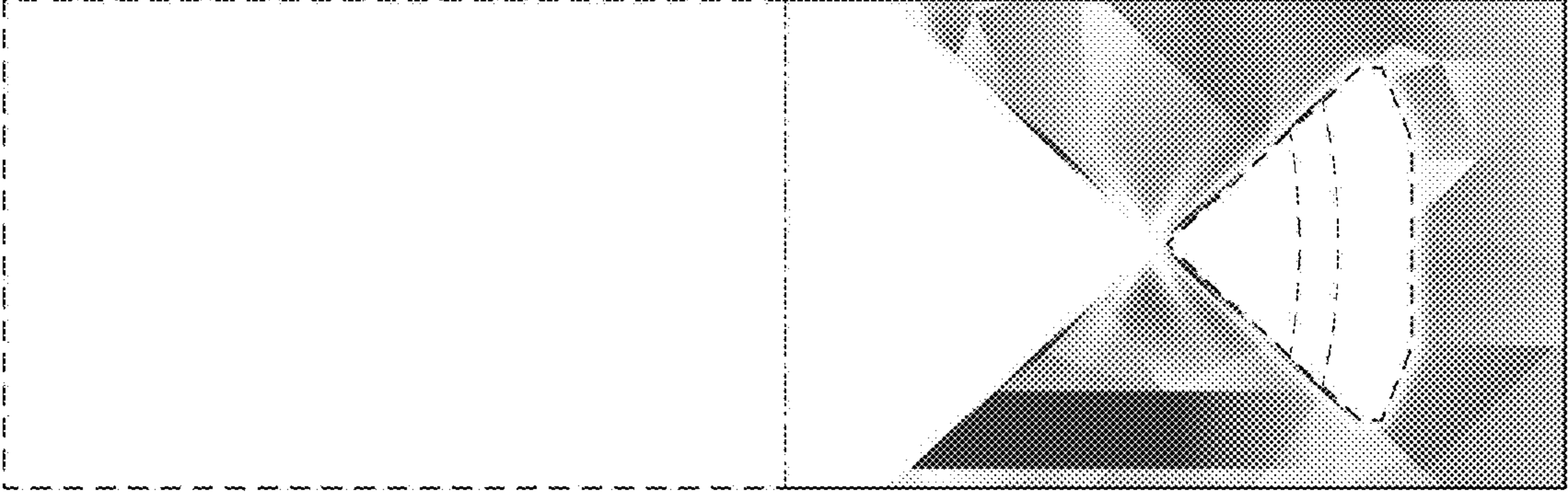


FIG. 16

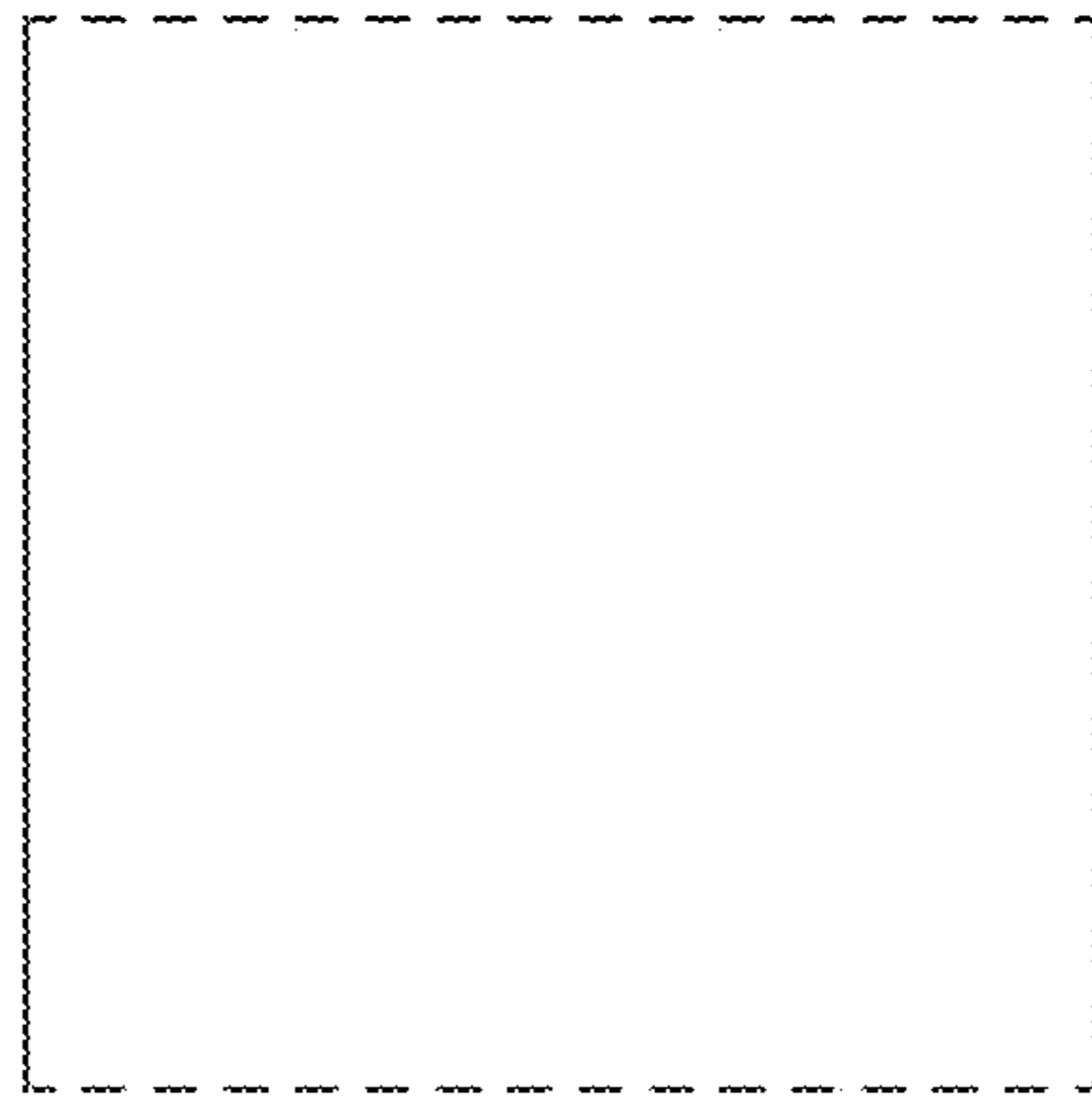


FIG. 17



FIG. 18

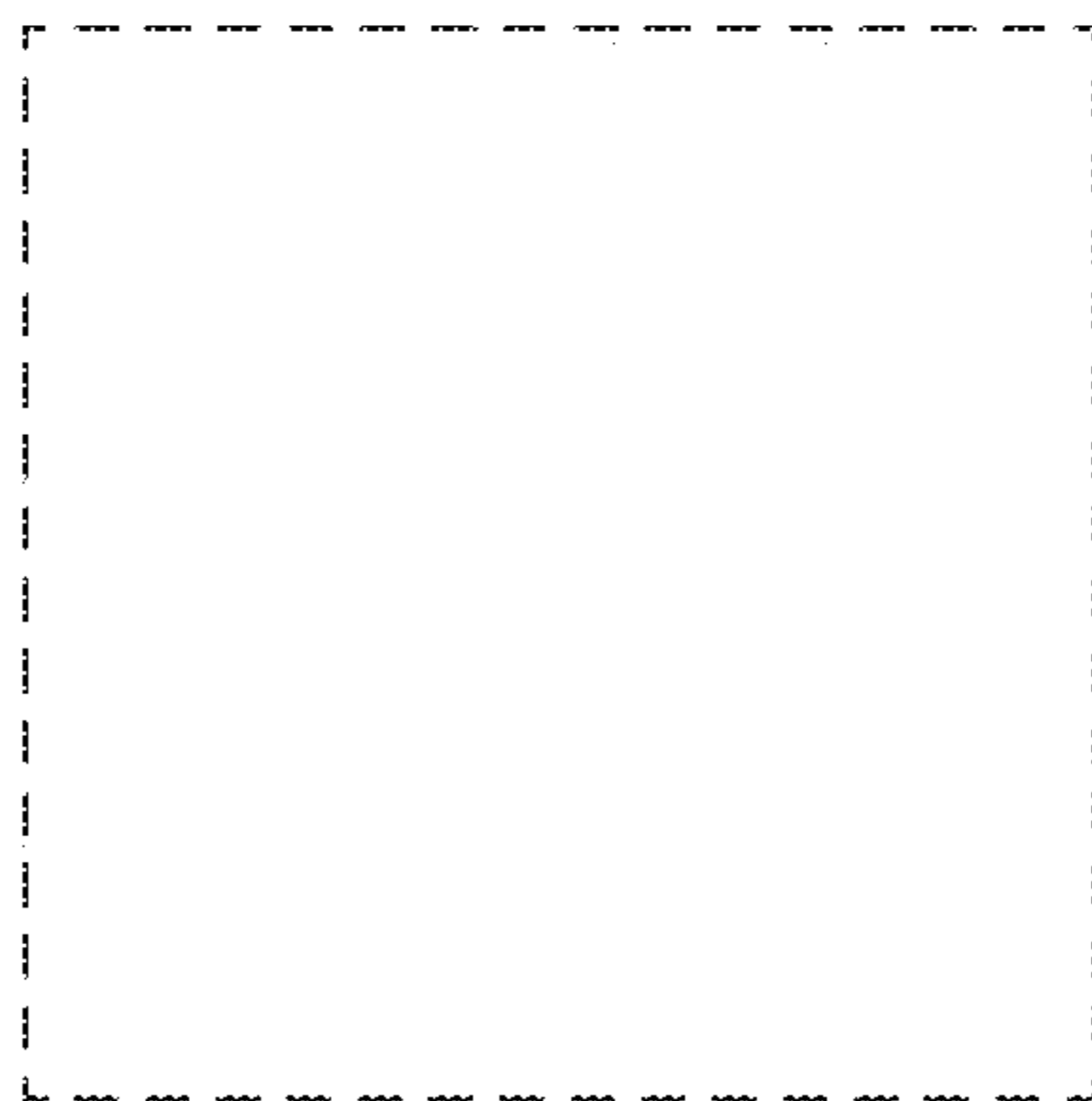


FIG. 19

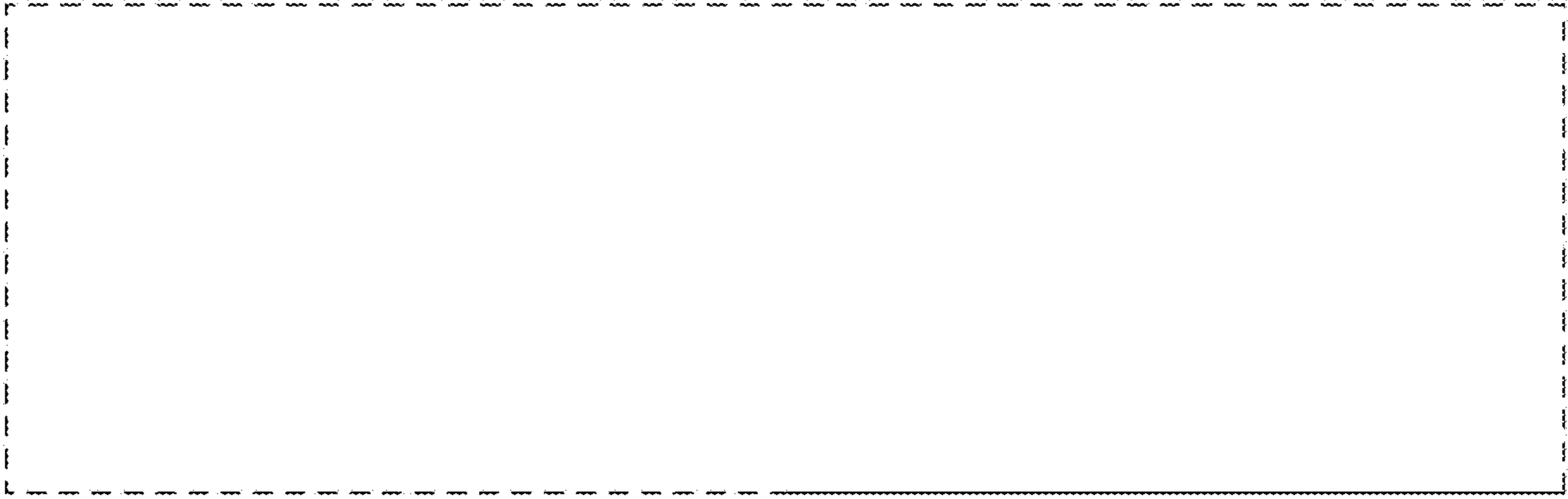


FIG. 20

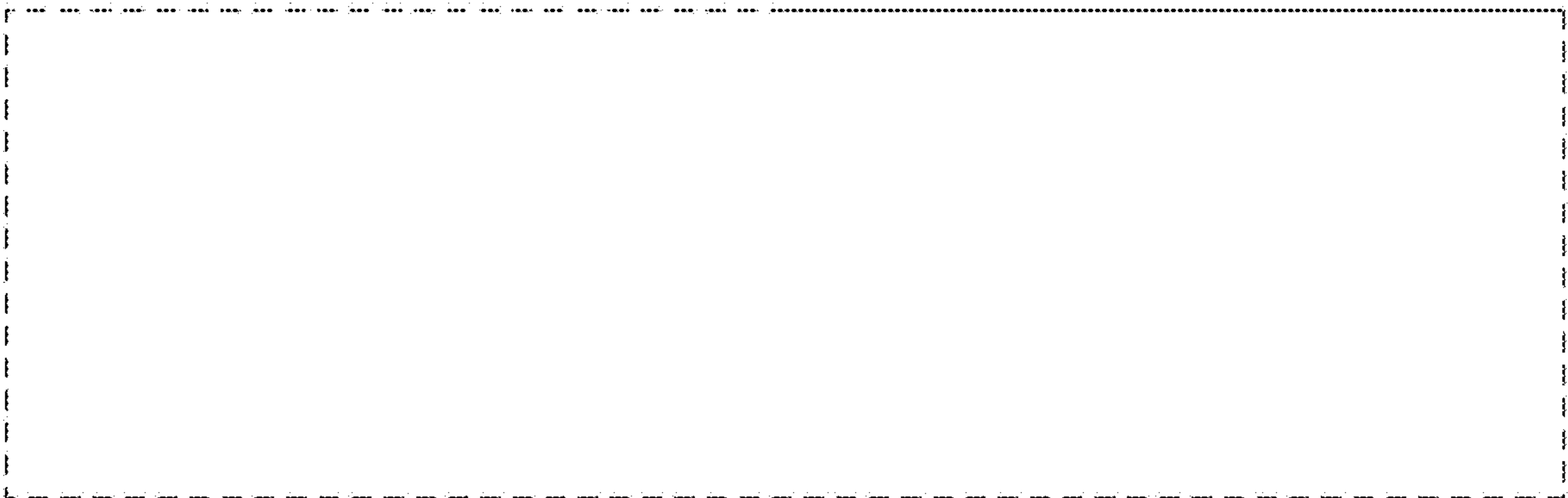


FIG. 21

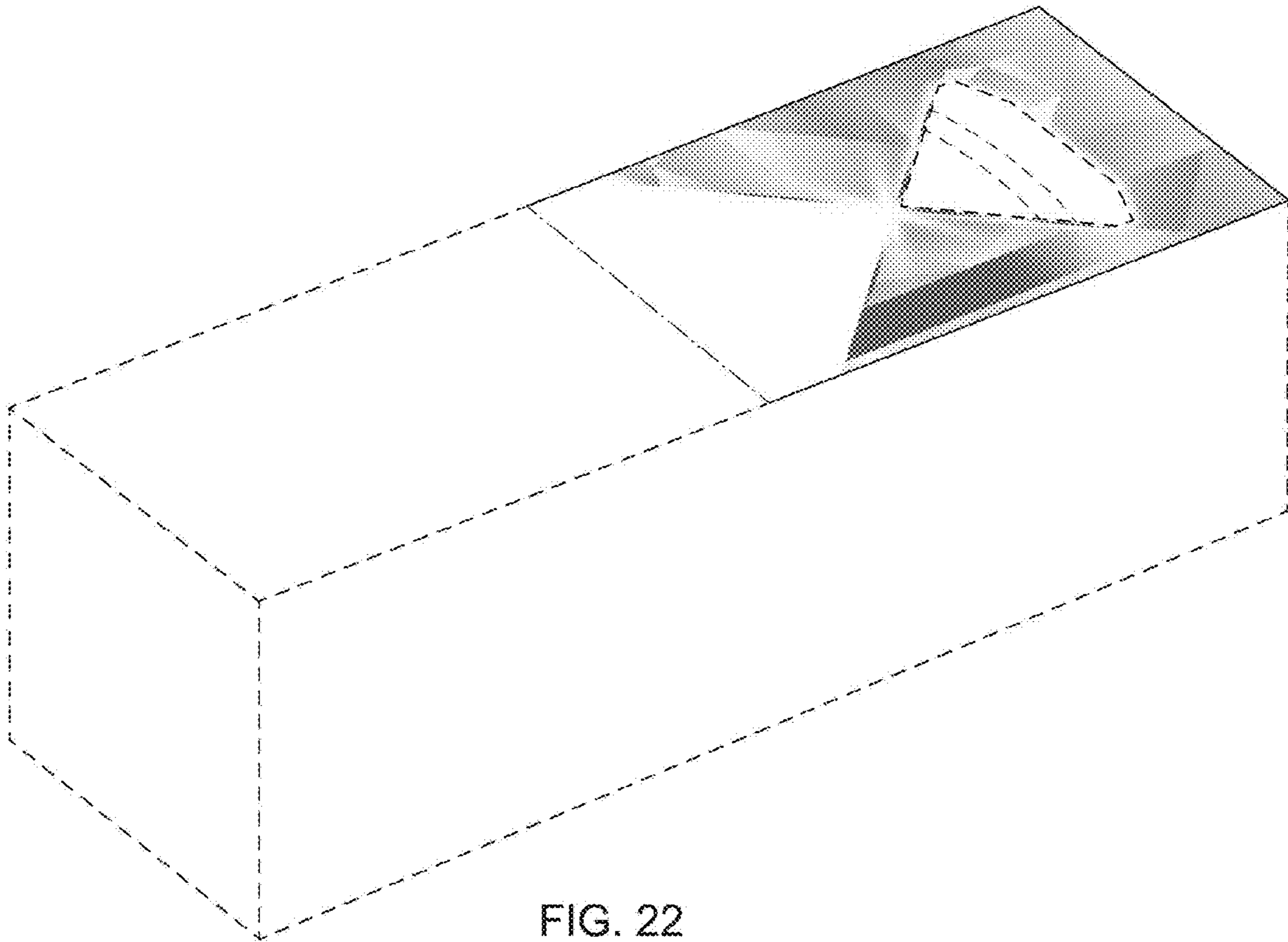


FIG. 22

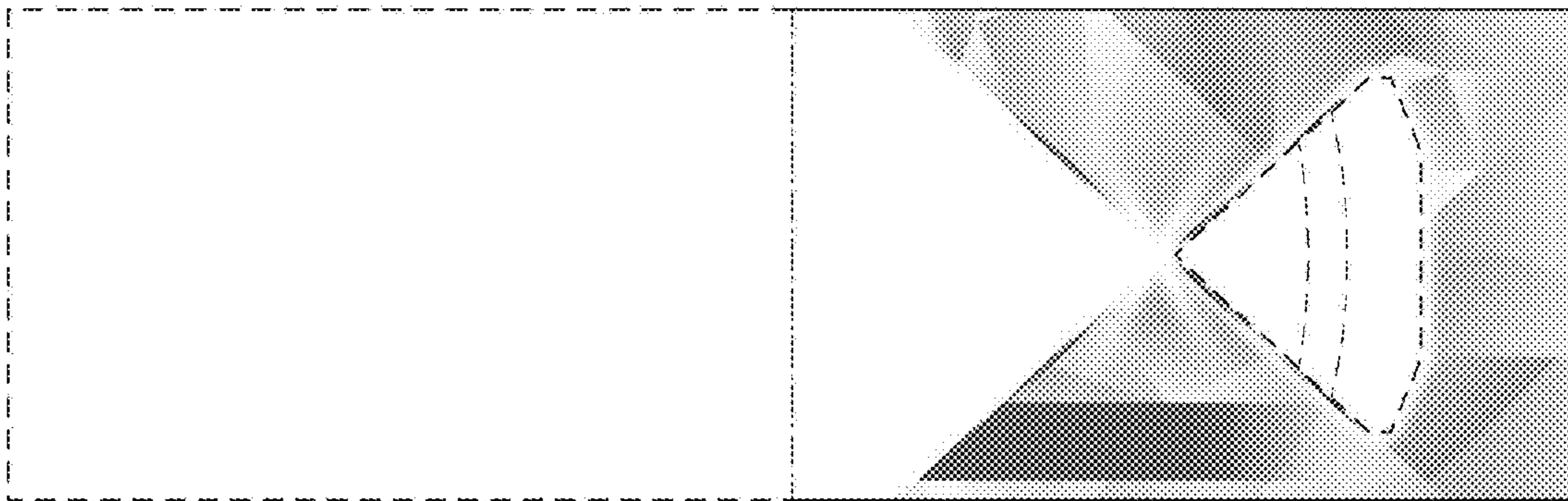


FIG. 23

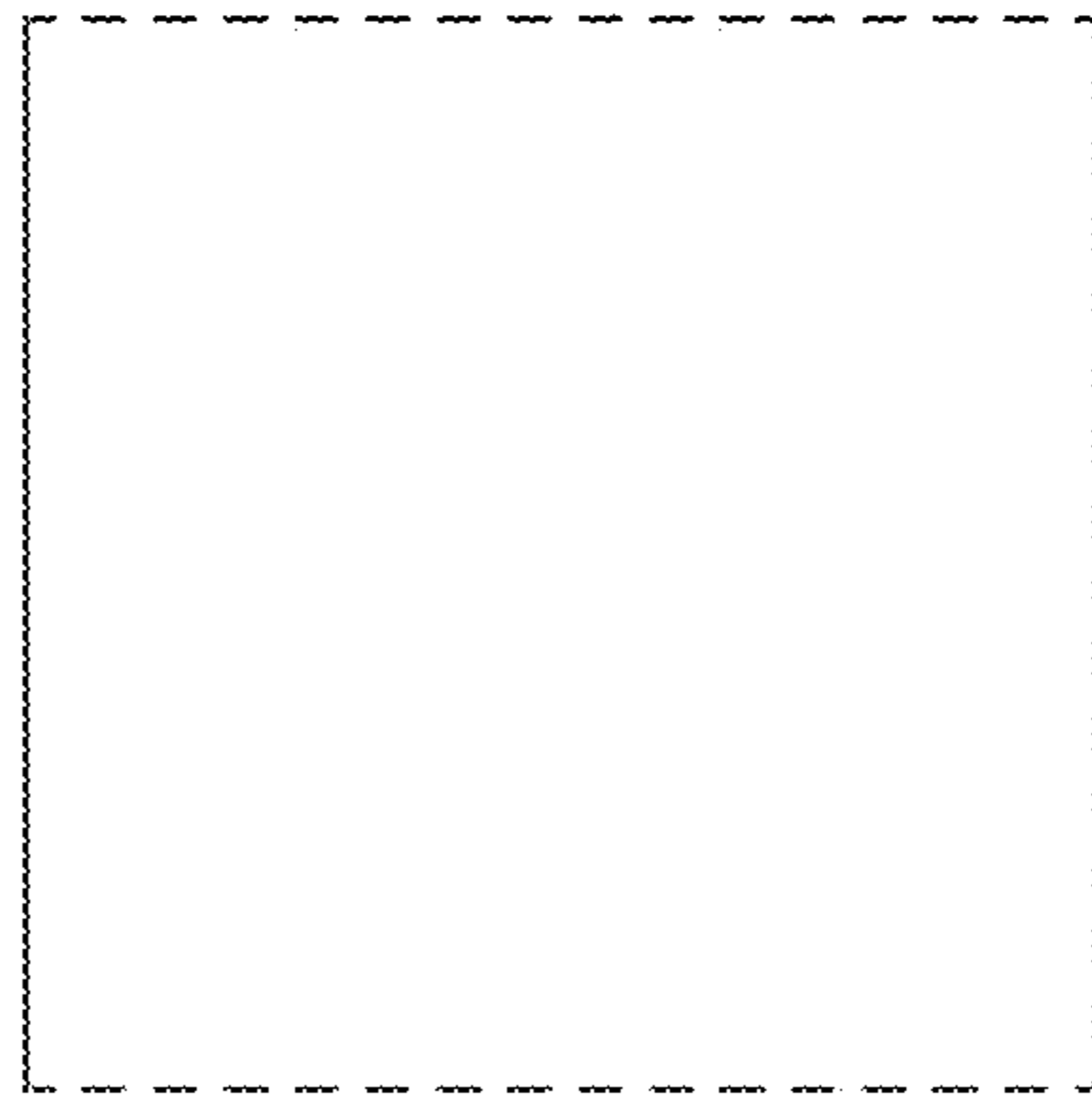


FIG. 24



FIG. 25

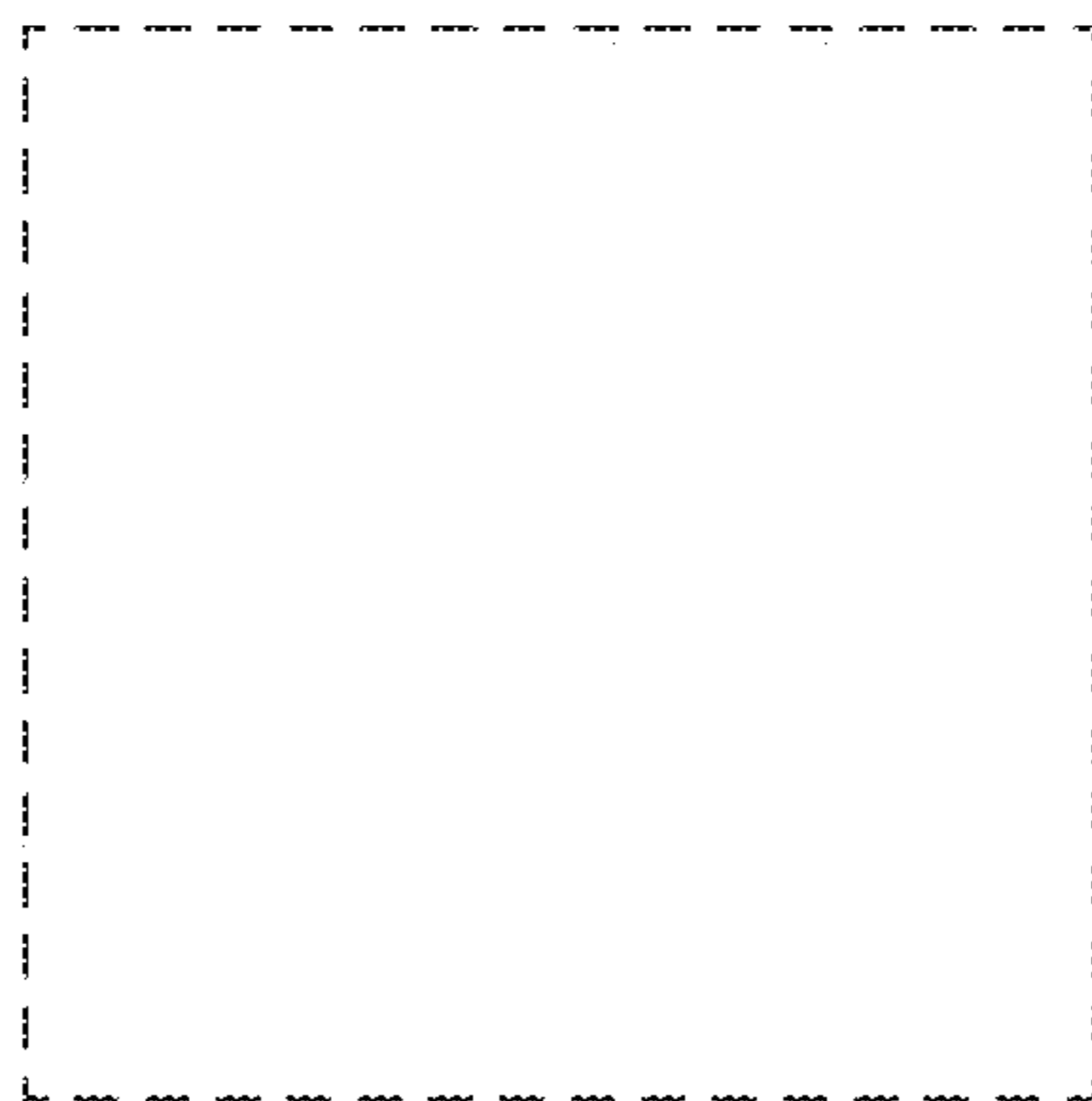


FIG. 26

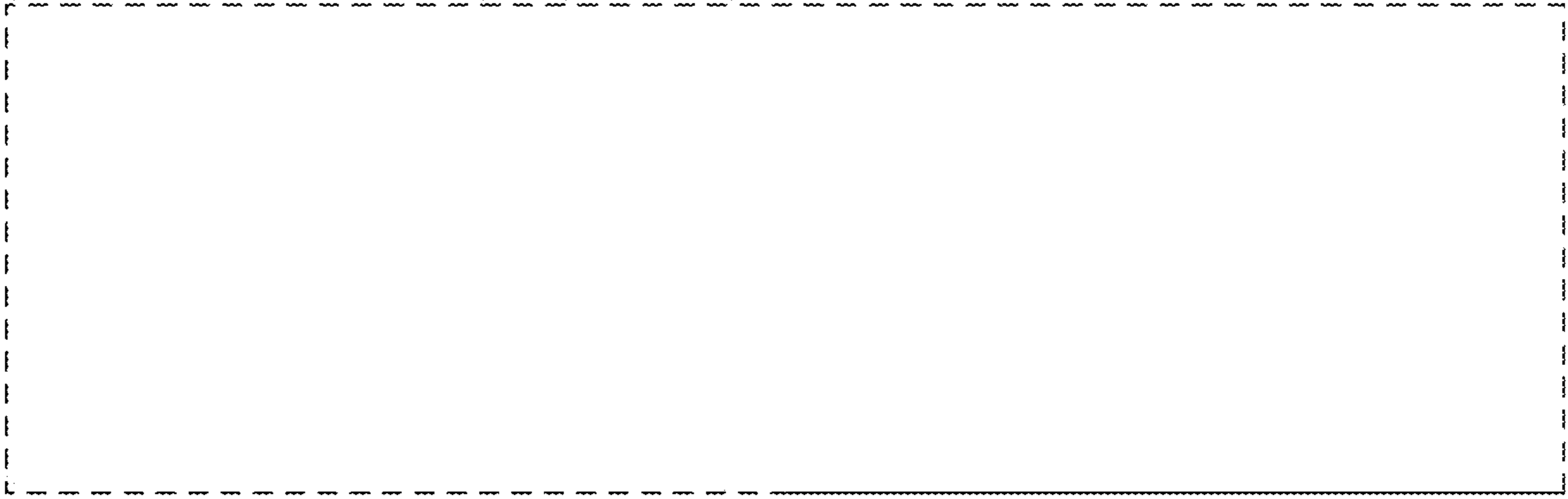


FIG. 27

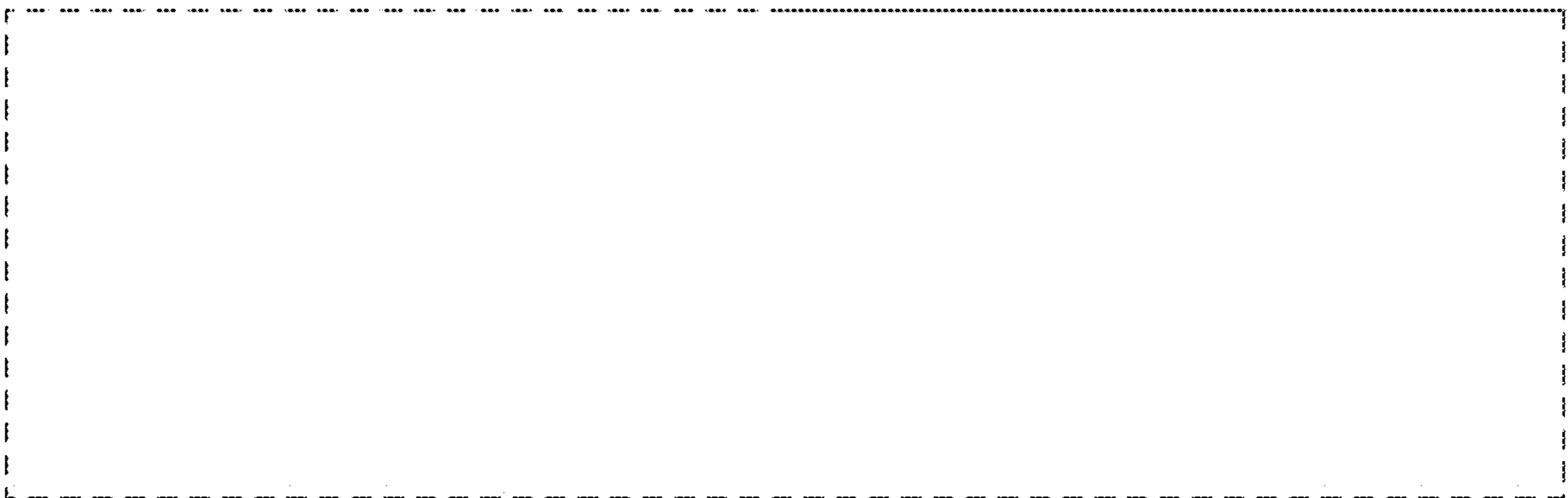


FIG. 28