



US00D953158S

(12) **United States Design Patent** (10) **Patent No.:** **US D953,158 S**
Simmons et al. (45) **Date of Patent:** **** May 31, 2022**

(54) **GRIPPER SUPPORT ATTACHMENT**

(71) Applicants: **Eric Simmons**, Gaffney, SC (US);
Marc Simmons, Summerville, SC (US)

(72) Inventors: **Eric Simmons**, Gaffney, SC (US);
Marc Simmons, Summerville, SC (US)

(**) Term: **15 Years**

(21) Appl. No.: **29/712,812**

(22) Filed: **Nov. 12, 2019**

(51) **LOC (13) Cl.** **08-08**

(52) **U.S. Cl.**
USPC **D8/396**

(58) **Field of Classification Search**
USPC D8/72-73, 355, 367, 394-396; D23/259,
D23/269; D24/155; D26/60
CPC H01R 13/639; F16B 45/02; F16B 2/06;
A61F 5/448; F16L 33/06; F16L 37/00;
F16L 23/06; F21V 33/00; B66F 9/18
See application file for complete search history.

(56) **References Cited**

U.S. PATENT DOCUMENTS

| | | | | |
|---------------|---------|------------|-------|-------------|
| D175,985 S * | 11/1955 | Sawyer | | D8/72 |
| 2,807,431 A * | 9/1957 | McHale | | B44D 3/123 |
| | | | | 248/113 |
| D186,331 S * | 10/1959 | Hosking | | D8/382 |
| 4,039,263 A * | 8/1977 | Bassler | | E04B 1/1906 |
| | | | | 403/218 |
| D245,755 S * | 9/1977 | Lewis | | D8/349 |
| D261,292 S * | 10/1981 | Tong | | D21/565 |
| D291,177 S * | 8/1987 | Santucci | | D8/382 |
| D384,710 S * | 10/1997 | Pahel | | D21/694 |
| D396,185 S * | 7/1998 | Fraser | | D3/10 |
| D402,396 S * | 12/1998 | Protz, Jr. | | D26/138 |
| D417,141 S * | 11/1999 | Senninger | | D8/395 |

| | | | | |
|-------------------|---------|-----------|-------|-------------|
| D544,328 S * | 6/2007 | Ranieri | | D8/72 |
| D573,861 S * | 7/2008 | Hammer | | D8/72 |
| D587,564 S * | 3/2009 | Kodi | | D8/354 |
| D680,843 S * | 4/2013 | Onello | | D8/74 |
| D697,787 S * | 1/2014 | Garcia | | D8/395 |
| D711,731 S * | 8/2014 | Sugiura | | D8/396 |
| D719,000 S * | 12/2014 | Palmer | | B62B 5/0083 |
| | | | | D8/73 |
| D742,711 S * | 11/2015 | Maxfield | | D8/73 |
| D860,628 S * | 9/2019 | Hu | | D3/10 |
| D878,184 S * | 3/2020 | Holloway | | D8/354 |
| D913,781 S * | 3/2021 | Rigoli | | D8/394 |
| D915,168 S * | 4/2021 | Bowyer | | D8/71 |
| 2014/0130245 A1 * | 5/2014 | McFarlane | | A47K 13/10 |
| | | | | 4/246.2 |

* cited by examiner

Primary Examiner — John R Yeh
(74) *Attorney, Agent, or Firm* — Boudwin Intellectual Property; Daniel Boudwin

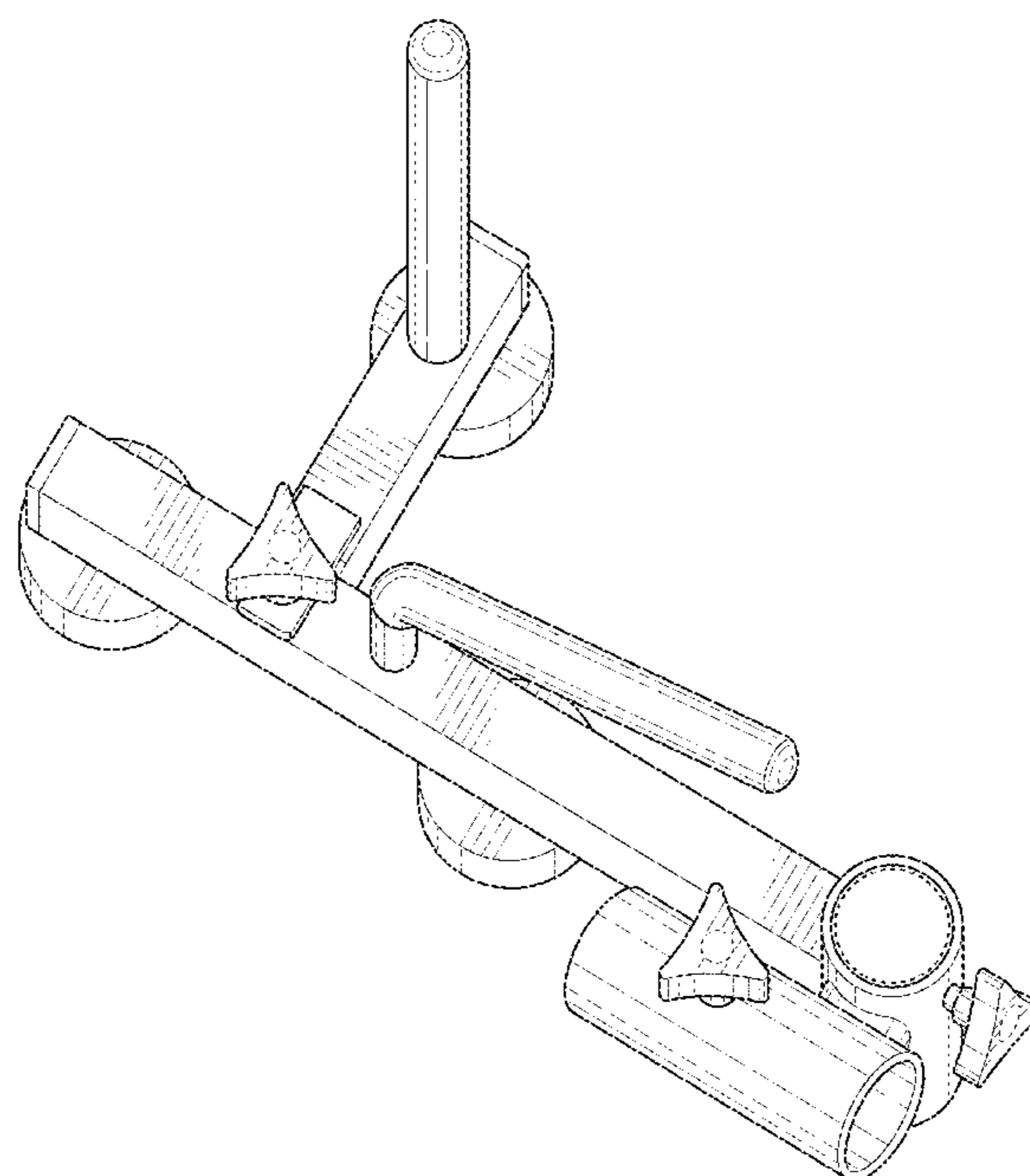
(57) **CLAIM**

The ornamental design for a gripper support attachment, as shown and described.

DESCRIPTION

FIG. 1 is a top, front perspective view of our new design for a gripper support attachment;
FIG. 2 is a top view thereof;
FIG. 3 is a bottom view thereof;
FIG. 4 is a front view thereof;
FIG. 5 is a rear view thereof;
FIG. 6 is a left side view thereof; and,
FIG. 7 is a right side view thereof.
The broken lines shown in the show portions of the gripper support attachment which form no part of the claimed design.

1 Claim, 4 Drawing Sheets



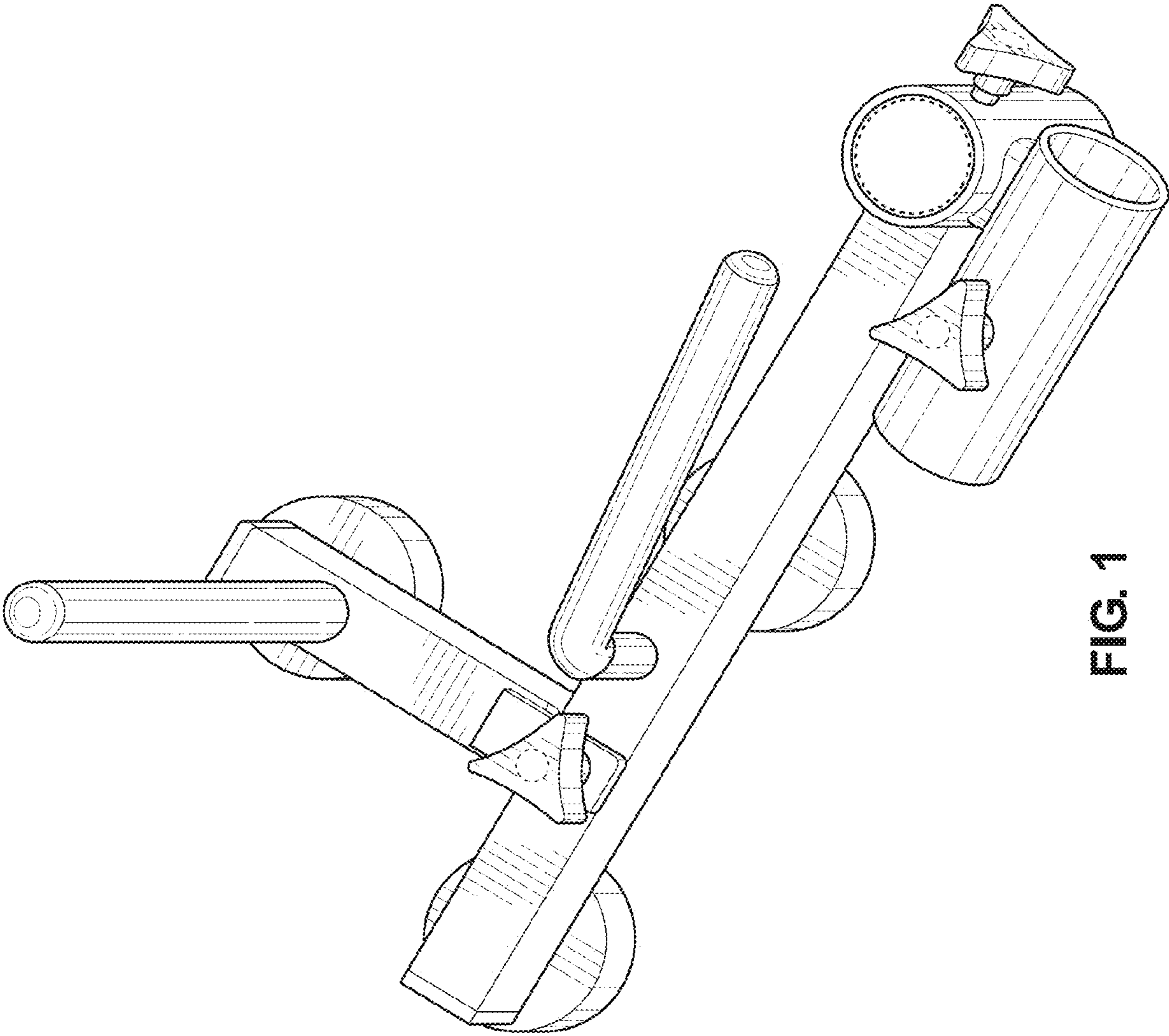


FIG. 1

FIG. 2

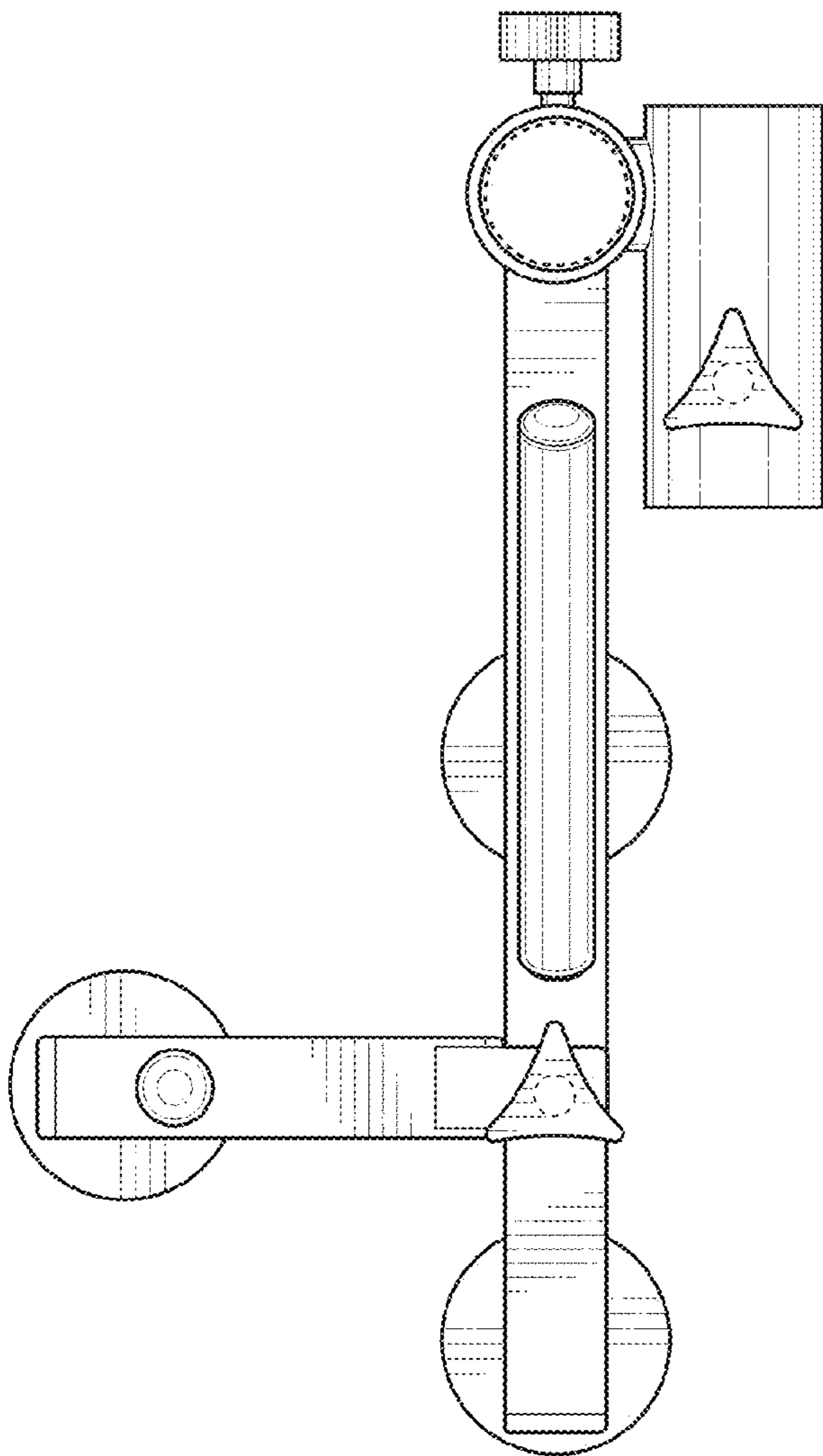


FIG. 3

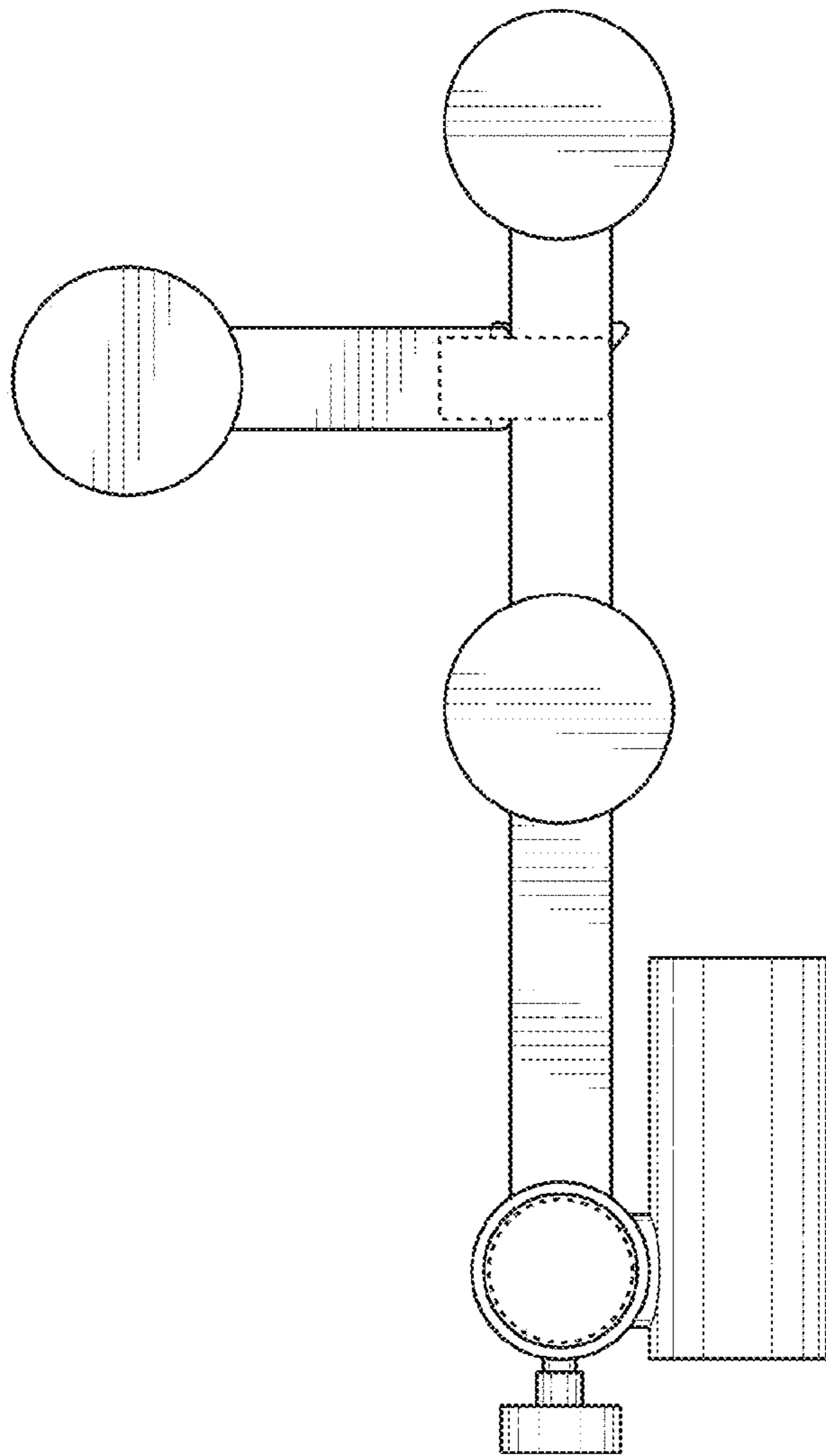


FIG. 4

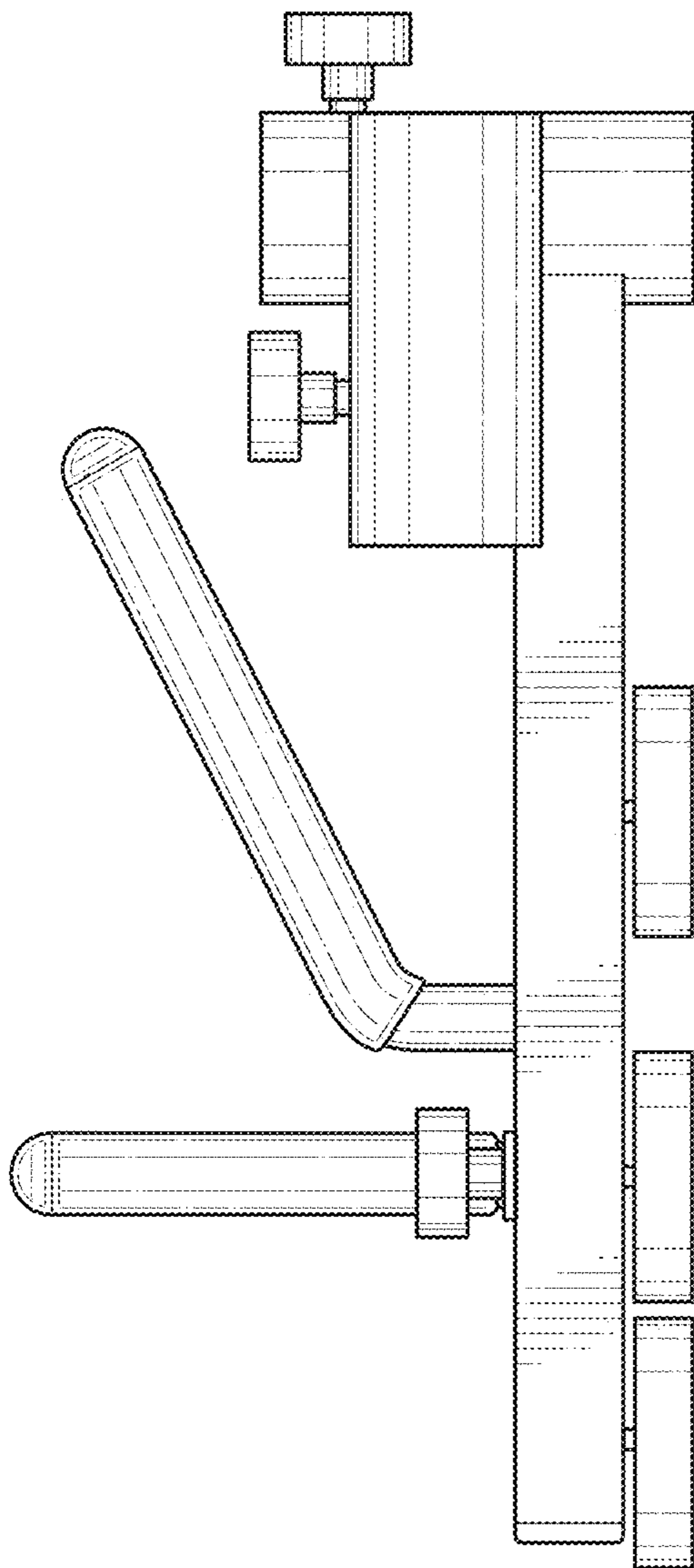
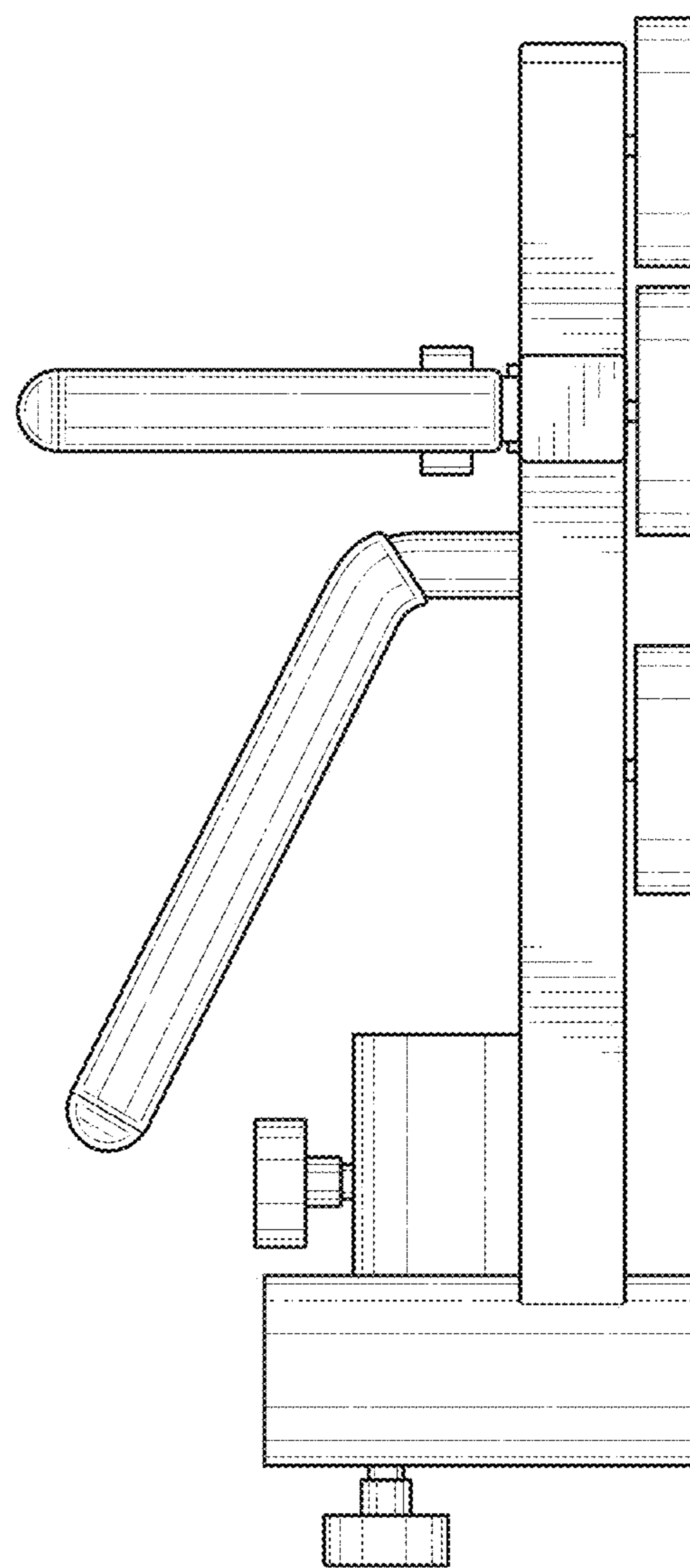


FIG. 5



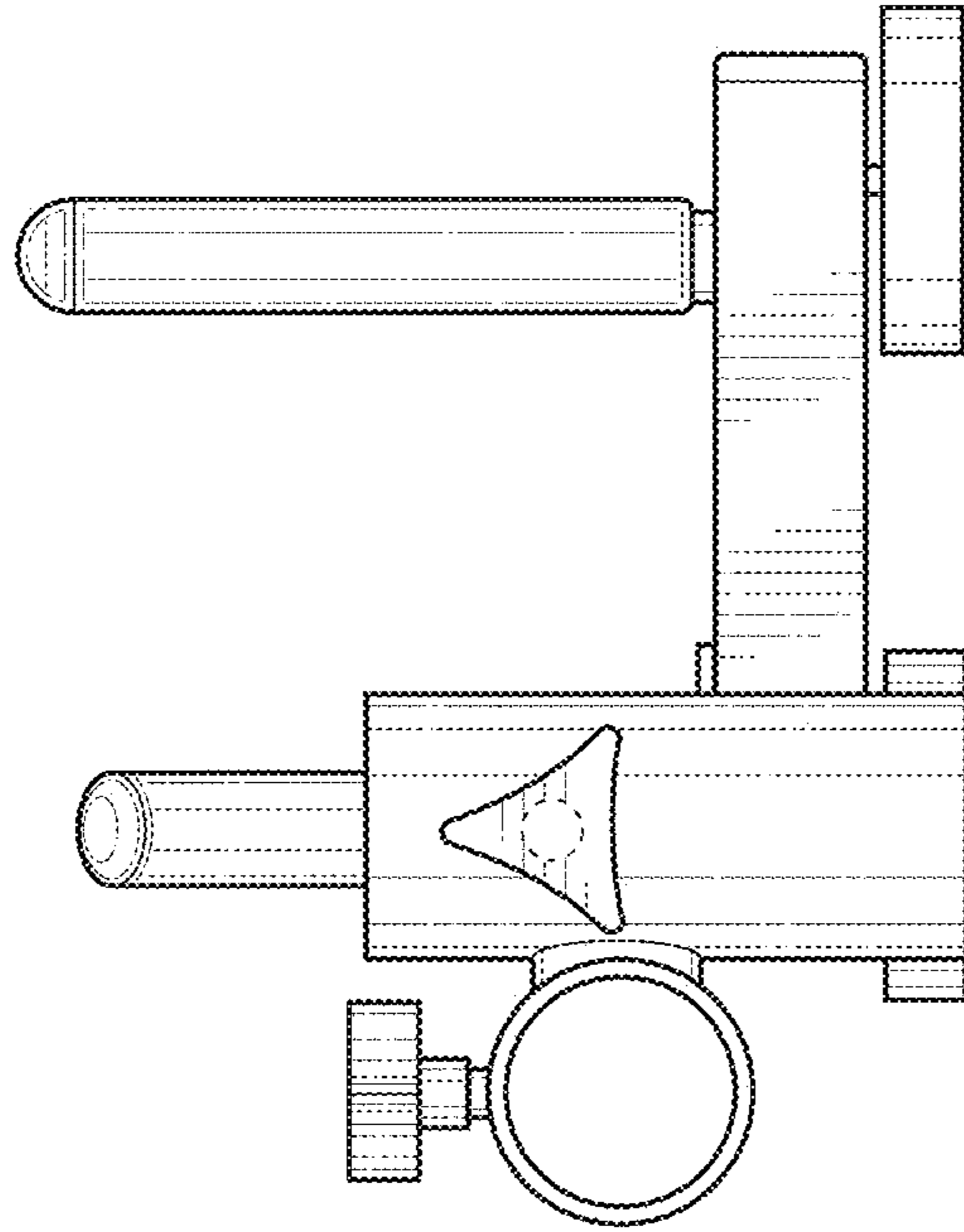


FIG. 6

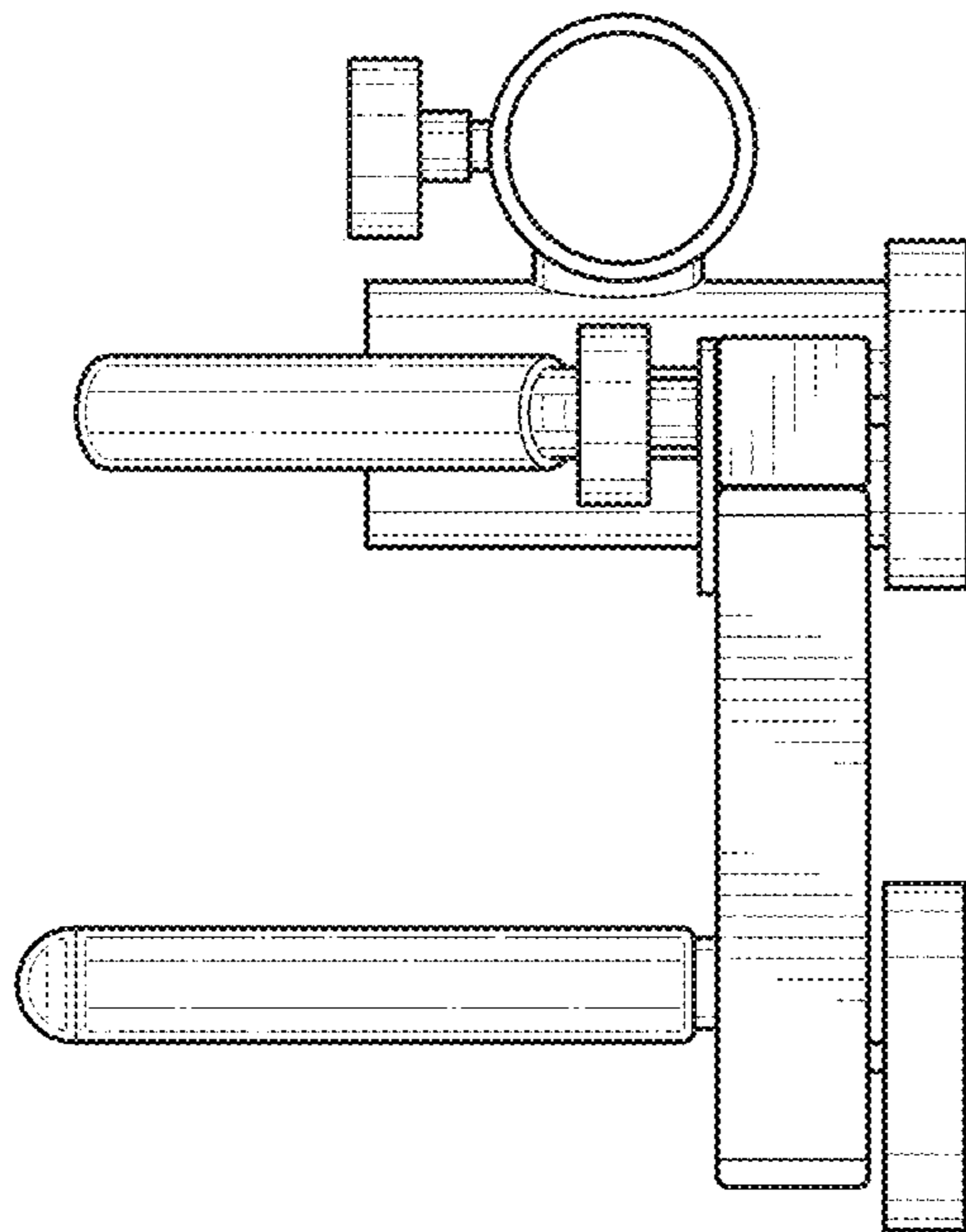


FIG. 7