



US00D953157S

(12) **United States Design Patent** (10) **Patent No.:** **US D953,157 S**  
**Avupati et al.** (45) **Date of Patent:** **\*\* May 31, 2022**

(54) **CLAMP**

D897,194 S \* 9/2020 Poppe ..... D8/394  
D919,415 S \* 5/2021 Walker ..... D8/354  
D923,465 S \* 6/2021 Davis ..... D8/394

(71) Applicant: **Honeywell International Inc.**, Morris Plains, NJ (US)

(Continued)

(72) Inventors: **Ravi Kumar Avupati**, Hyderabad (IN); **Linda Ziegler-Robinson**, Goose Creek, SC (US); **Christy Garippo**, Glen Ellyn, IL (US); **Ataur Rahman**, Hyderabad (IN); **Rizwan Ahmad**, Hyderabad (IN); **Alfred Flojo**, Chicago, IL (US)

FOREIGN PATENT DOCUMENTS

FR 2582452 A1 11/1986  
GB 1489004 A 10/1977

(73) Assignee: **HONEYWELL INTERNATIONAL INC.**, Charlotte, NC (US)

OTHER PUBLICATIONS

“Snap-On (Duckbill-type) Grounding Clamps”, Jul. 2010, manualzz.com, site visited Jan. 10, 2022: <https://manualzz.com/doc/31367420/snap-on--duckbill-type--grounding-clamps> (Year: 2010).\*

(\*\*) Term: **15 Years**

(Continued)

(21) Appl. No.: **29/743,067**

*Primary Examiner* — Jack Reickel

*Assistant Examiner* — Michael A Kervin

(22) Filed: **Jul. 17, 2020**

(74) *Attorney, Agent, or Firm* — Alston & Bird LLP

(51) **LOC (13) Cl.** ..... **08-08**

(52) **U.S. Cl.**  
USPC ..... **D8/394**

(57) **CLAIM**

We claim the ornamental design for a clamp, as shown and described.

(58) **Field of Classification Search**  
USPC ..... D8/70–72, 371–377, 380–381, 394–398  
CPC ..... H01R 4/38; H01R 11/14; H01R 11/15;  
H02G 1/02

**DESCRIPTION**

See application file for complete search history.

FIG. 1 is a first perspective view of a clamp showing our new design;

FIG. 2 is a second perspective view thereof;

FIG. 3 is a front elevation view thereof;

FIG. 4 is a rear elevation view thereof;

FIG. 5 is a right side elevation view thereof;

FIG. 6 is a left side elevation view thereof;

FIG. 7 is a top plan view thereof; and,

FIG. 8 is a bottom plan view thereof.

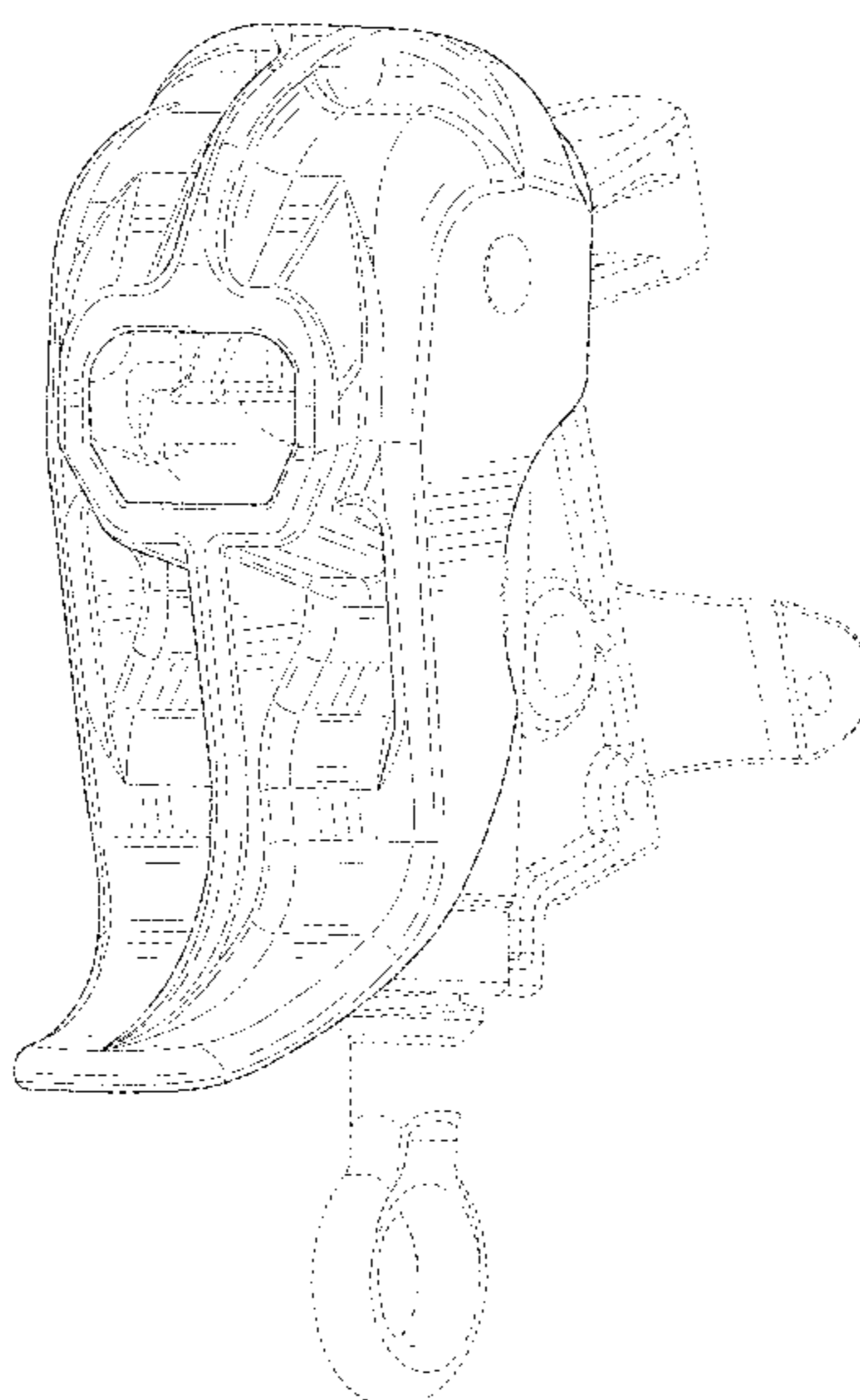
The broken lines adjacent shaded areas depict boundaries of the claim and form no part of the claimed design. All other broken lines illustrate portions of the clamp that form no part of the claimed design.

(56) **References Cited**

U.S. PATENT DOCUMENTS

4,133,591 A \* 1/1979 West ..... H01R 11/15  
439/479  
4,778,413 A \* 10/1988 Saarinen ..... B23K 37/0435  
439/803  
D615,840 S \* 5/2010 Copper ..... D8/72  
D633,783 S \* 3/2011 Iwama ..... D8/395  
D633,784 S \* 3/2011 Iwama ..... D8/395  
8,517,776 B1 \* 8/2013 Flojo ..... H01R 4/38  
439/803  
D850,246 S \* 6/2019 Nagaki ..... D8/394  
D892,336 S \* 8/2020 Zhang ..... D24/167

**1 Claim, 6 Drawing Sheets**



(56)

**References Cited**

U.S. PATENT DOCUMENTS

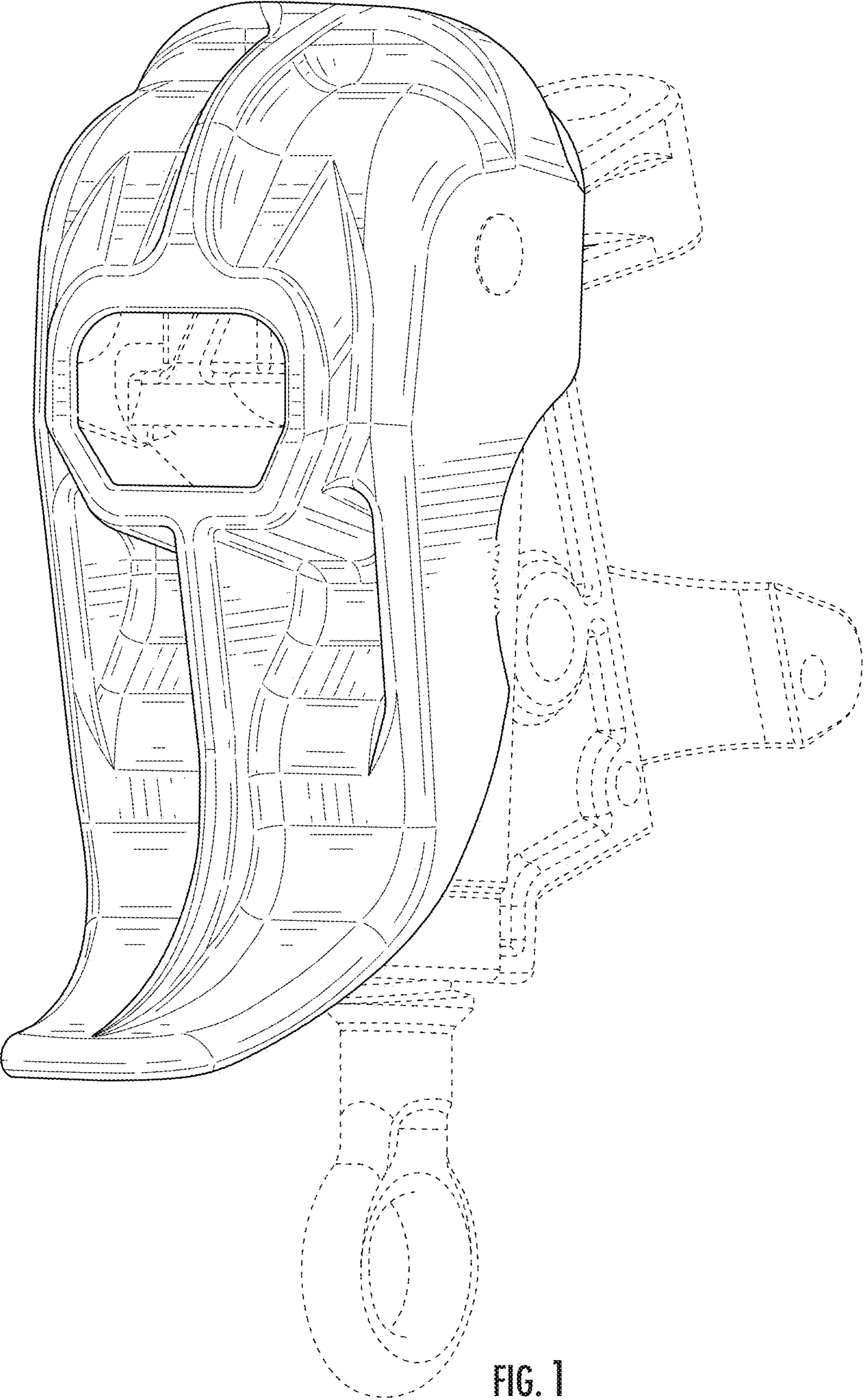
2003/0011354	A1 *	1/2003	Daniel	.....	H01R 11/15 324/117 R
2006/0148286	A1 *	7/2006	Hughes	.....	H01R 11/14 439/92
2008/0194153	A1 *	8/2008	De France	.....	H01R 4/4872 439/822
2011/0081810	A1 *	4/2011	Flojo	.....	H01R 4/64 439/803
2012/0142231	A1 *	6/2012	De France	.....	H01R 11/15 439/815
2017/0317437	A1 *	11/2017	Quaedvlieg	.....	H01R 43/22
2018/0115090	A1 *	4/2018	Rahman	.....	H01R 4/643
2018/0358716	A1 *	12/2018	Krueger	.....	H01R 11/26
2019/0190171	A1 *	6/2019	Rahman	.....	H01R 11/14
2019/0363462	A1 *	11/2019	O'Connell	.....	H02G 1/02
2020/0106196	A1 *	4/2020	Oostdyk	.....	H01R 4/40
2021/0296800	A1 *	9/2021	Sykes	.....	H01R 4/66

OTHER PUBLICATIONS

“Custom Grounding Literature”, Dec. 2017, reliable-equip.com, site visited Jan. 10, 2022: <https://www.reliable-equip.com/wp-content/uploads/2018/08/Custom-Grounding-Literature-Dec-2017.pdf> (Year: 2017).\*

Arnett Industries, LLC, Chance Aluminum Duckbill Ground Clamp; ASTM Grade 5H; Serrated Jaw-Max Opening 1.506; Threaded Terminal-C6000197 [online, catalog] [2020] [retrieved Jul. 14, 2020] retrieved from the Internet<URL: <https://hjarnett.com/product/chance-duckbill-ground-clamp-serrated-jaw/>>, (3 pages).  
 Hubbell Power Systems, Inc., Chance Grounding Equipment [online,catalog] [2020] [retrieved Jul. 14, 2020] retrieved from the Internet <URL: <https://www.hubbell.com/hubbellpowersystems/>>, (32 pages).  
 J Harlen Co., Duck Bill Aluminum Ground Clamp Threaded Ferrule Type (online, catalog) [2020] [retrieved Jul. 14, 2020] retrieved from the Internet <URL: <https://www.jharlen.com/p-9745-duck-bill-aluminum-ground-clamp-threaded-ferrule-type.aspx>>, (2 pages).  
 JM Test Systems , Salisbury 1793 Bronze Duck Bill Grounding Clamp With Smooth Jaw-Gravity actuated-V Thread, [online, catalog] [2020] [retrieved Jul. 14, 2020] retrieved from the Internet <URL: <https://jmttest.com/salisbury-1793-bronze-duck-bill-grounding-clamp-with-smooth-jaw-gravity-actuated-v-thread/>>, (3 pages).  
 JM Test Systems , Salisbury 1853 Aluminum Duck Bill Grounding Clamp With Serrated Jay-Spring Loaded-V Thread, [online, catalog] [2020] [retrieved Jul. 14, 2020] retrieved from the Internet <URL: <https://jmttest.com/salisbury-1853-aluminum-duck-bill-grounding-clamp-with-serrated-jaw-spring-loaded-v-thread/>>, (3 pages).  
 Slacan Industries Inc., Clamp: Duckbill, [online, catalog] [2020] [retrieved Jul. 14, 2020] retrieved from the Internet<URL: <https://www.slacan.com/catalogue/distribution/clamp/312>>, (1 page).

\* cited by examiner



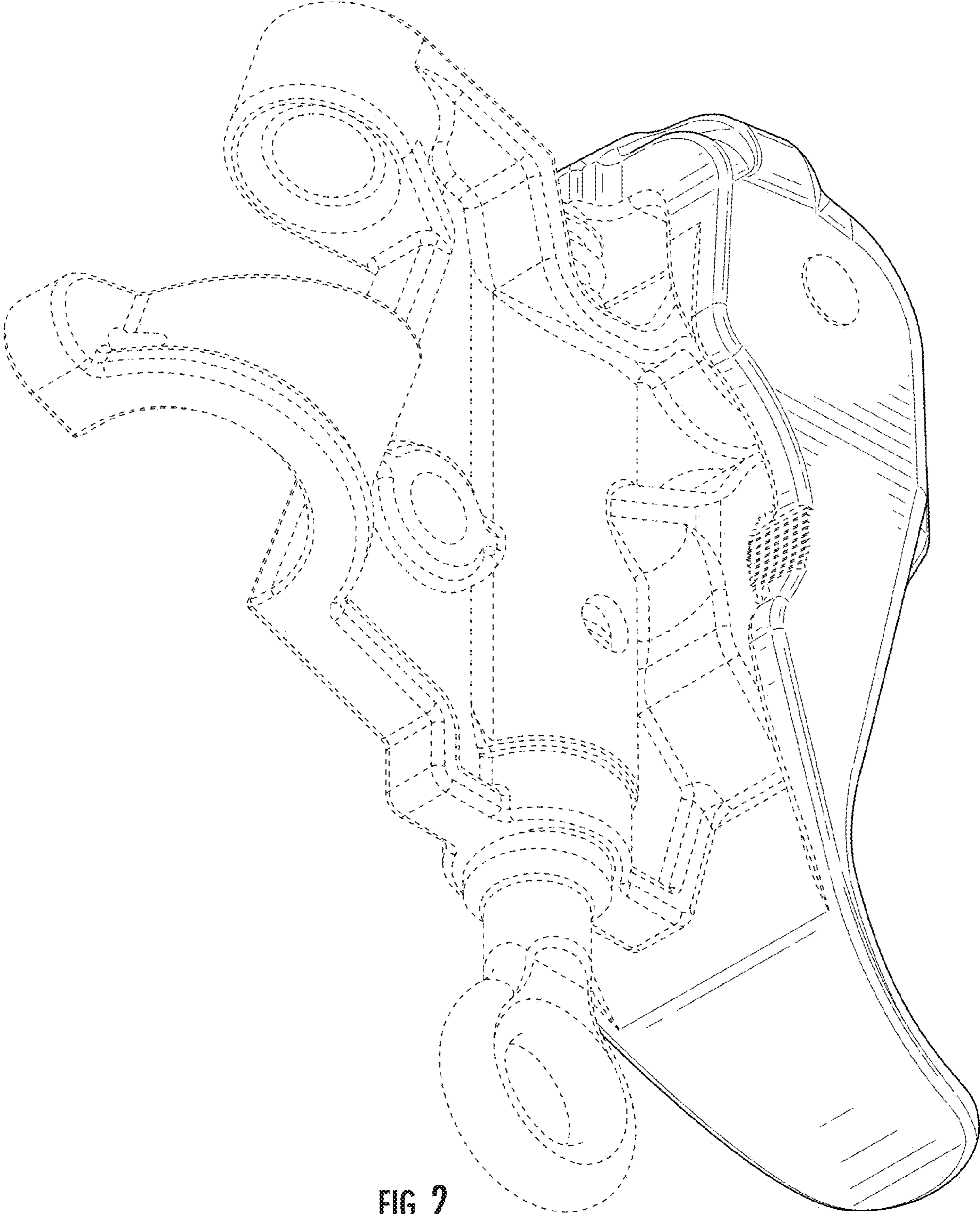


FIG. 2

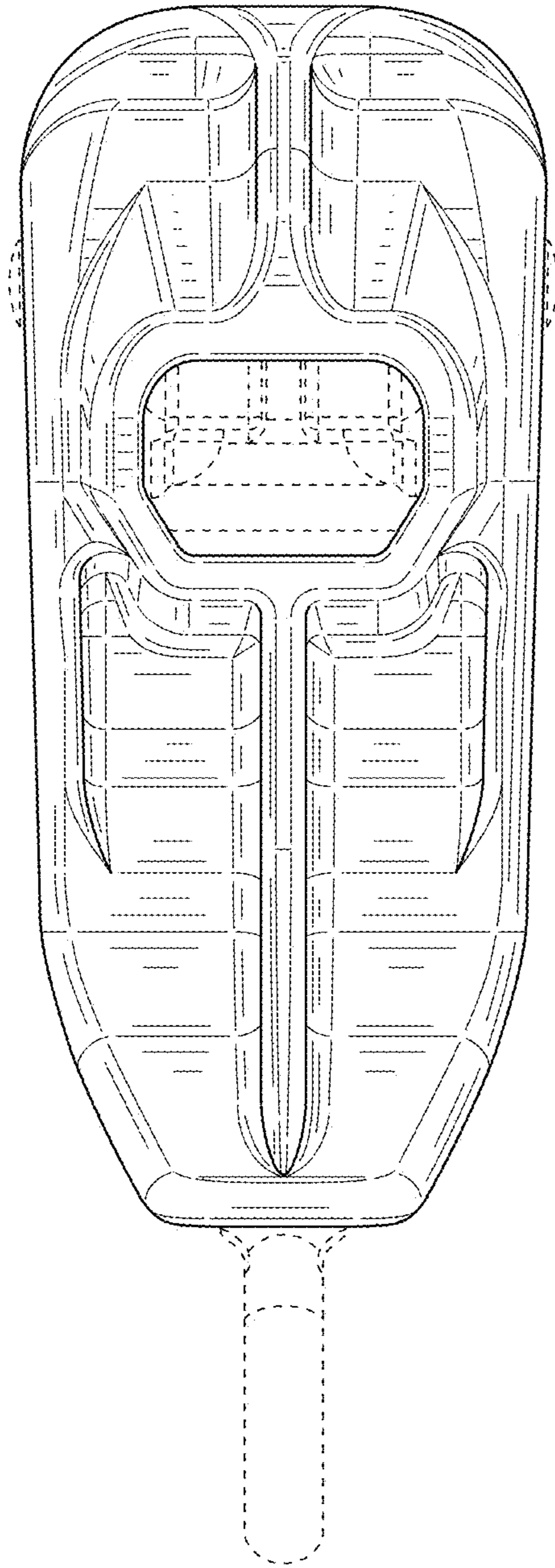


FIG. 3

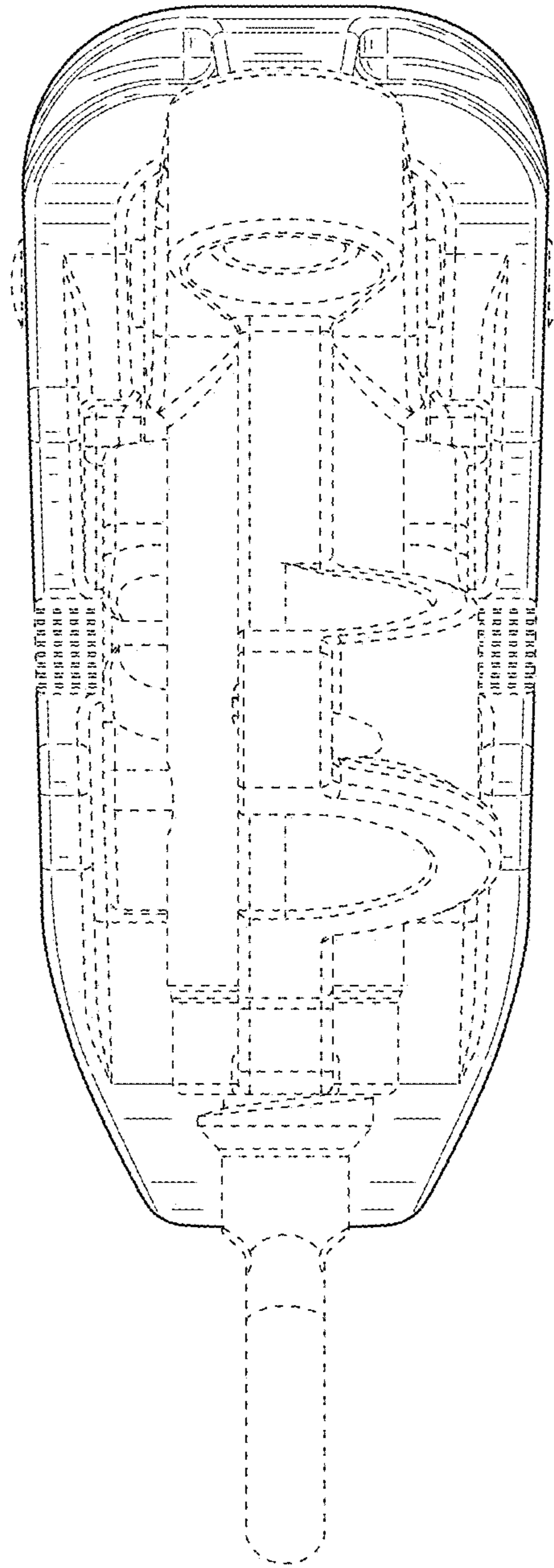


FIG. 4

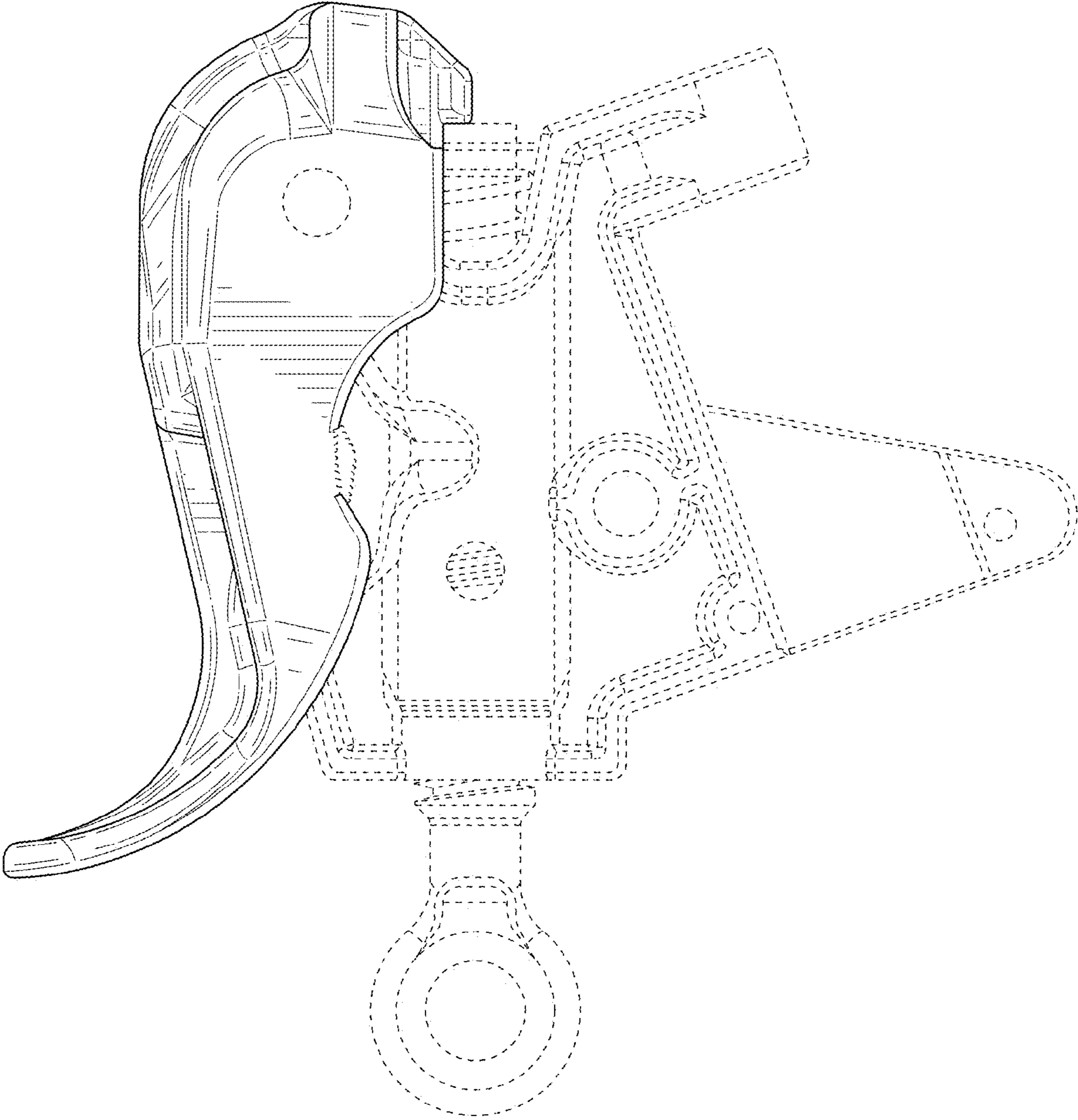


FIG. 5

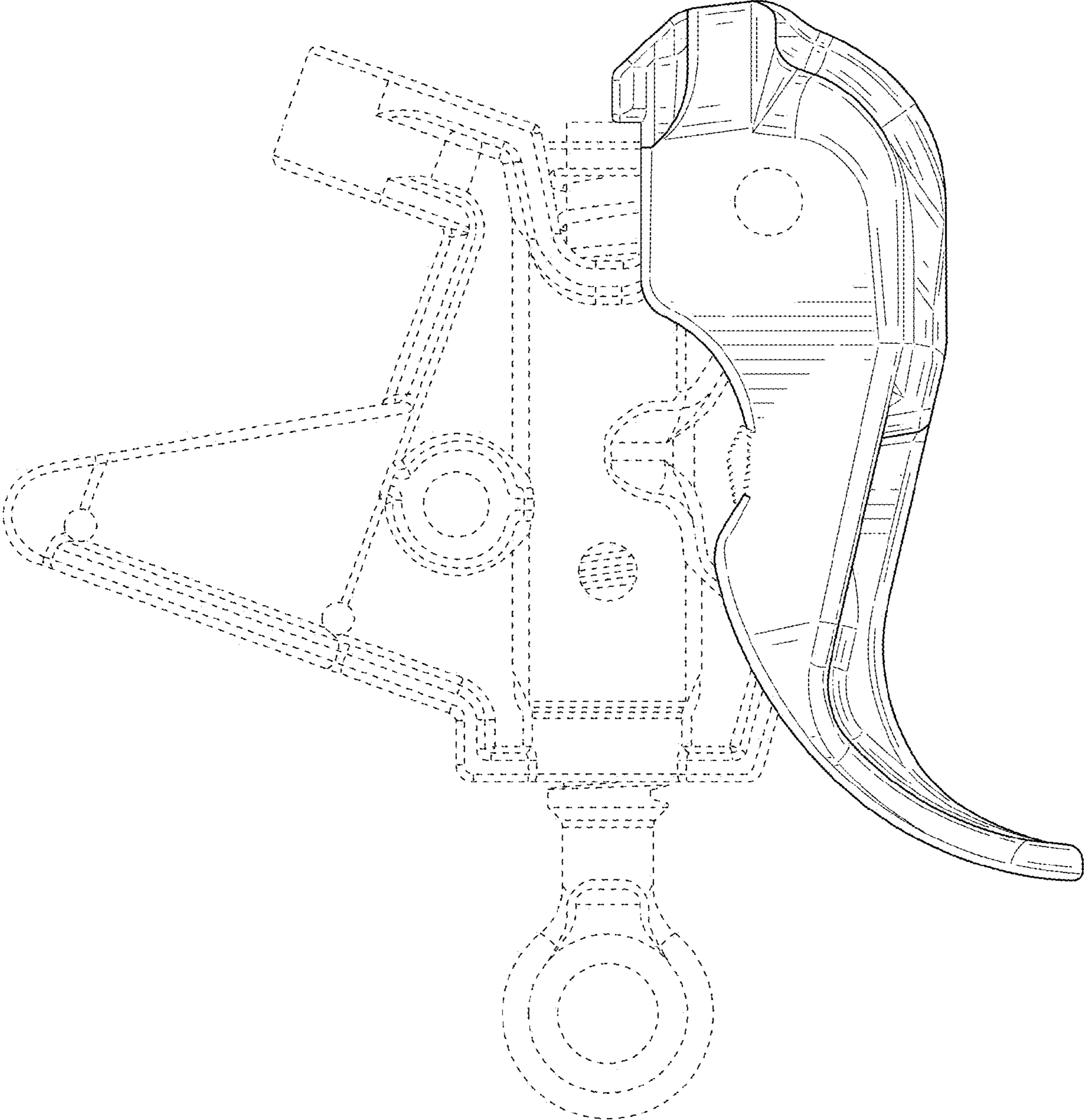


FIG. 6

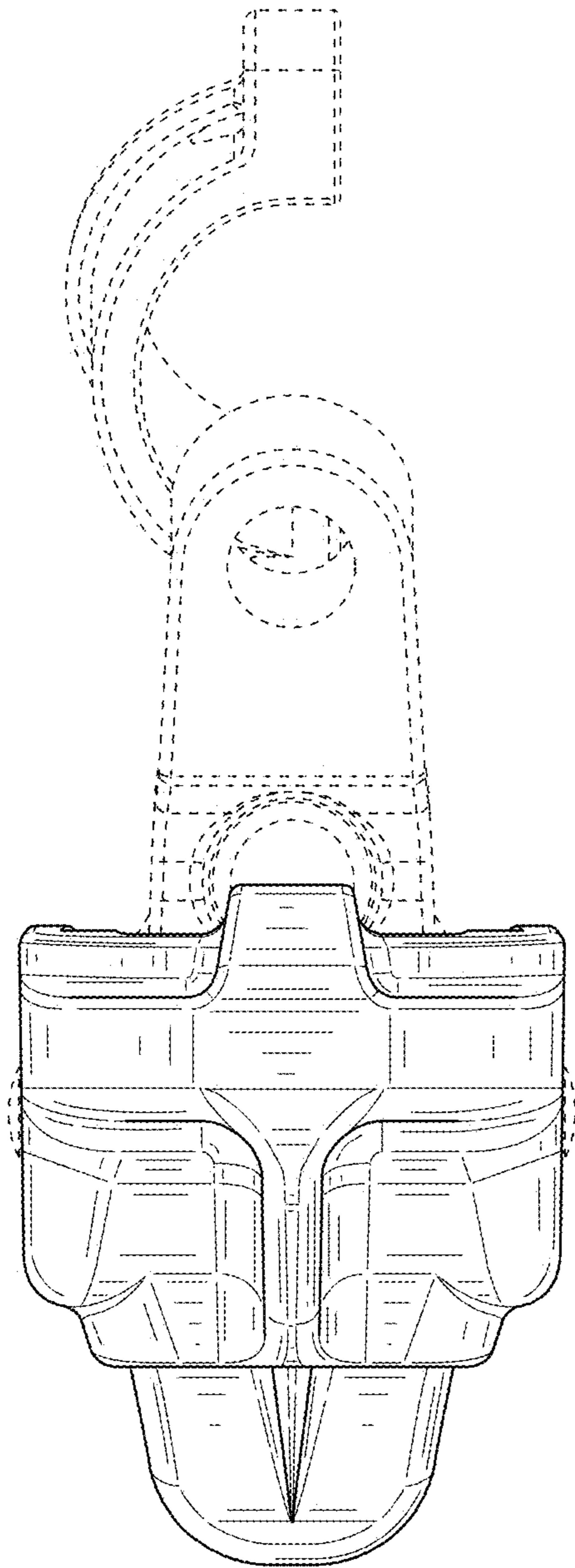


FIG. 7

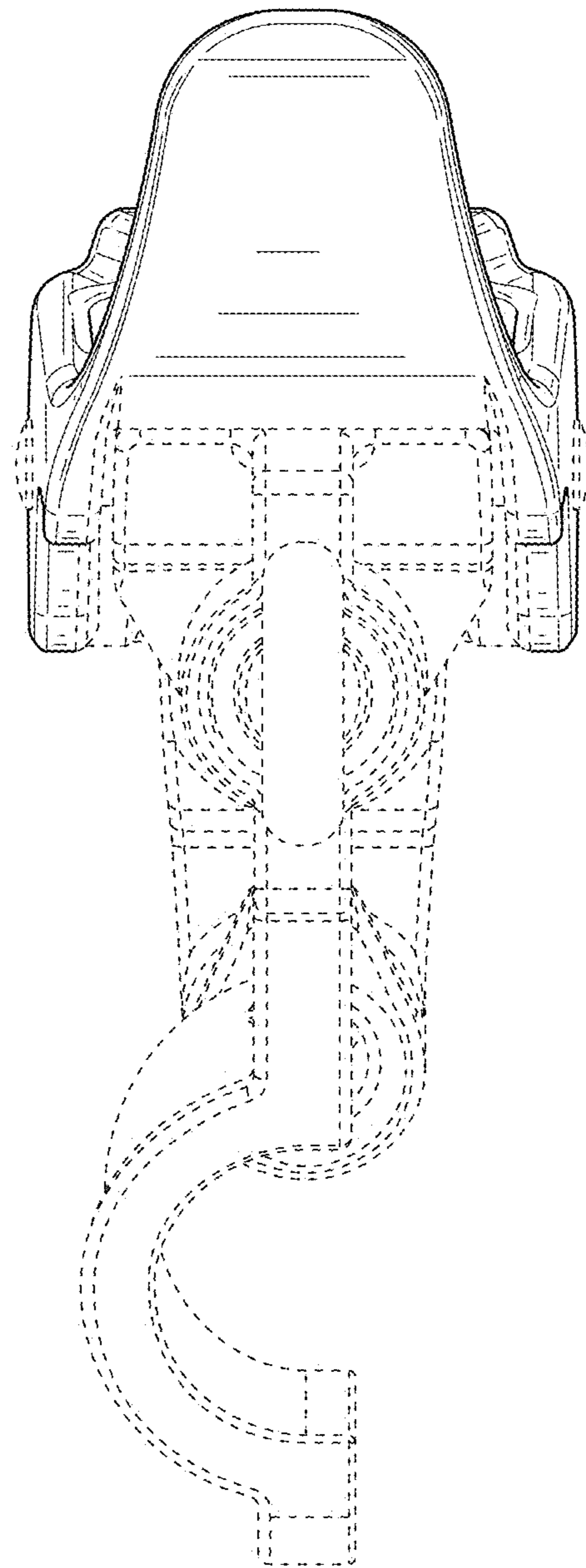


FIG. 8