



US00D953156S

(12) **United States Design Patent** (10) **Patent No.:** **US D953,156 S**
Lee et al. (45) **Date of Patent:** **** May 31, 2022**

(54) **FASTENER**
(71) Applicant: **ILLINOIS TOOL WORKS INC.**,
Glenview, IL (US)
(72) Inventors: **Dan Bee Lee**, Incheon (KR); **Chang**
Min Kim, Incheon (KR)
(73) Assignee: **Illinois Tool Works Inc.**, Glenview, IL
(US)

D293,884 S * 1/1988 Hirohata D8/382
D297,613 S * 9/1988 Yokoyama D8/382
D297,614 S * 9/1988 Yokoyama D8/382
D297,615 S * 9/1988 Nakama D8/382
D324,992 S * 3/1992 Ono D13/154
D326,605 S * 6/1992 Nakanura D8/382
D381,258 S * 7/1997 Saito D8/382
5,758,987 A * 6/1998 Frame F16B 21/082
403/298
D485,487 S * 1/2004 Bryant, Jr. D8/382
D567,640 S * 4/2008 Katoh D8/382
(Continued)

(**) Term: **15 Years**

(21) Appl. No.: **29/702,915**

(22) Filed: **Aug. 22, 2019**

(30) **Foreign Application Priority Data**

Feb. 22, 2019 (KR) 30-2019-0008079

(51) **LOC (13) Cl.** **08-08**

(52) **U.S. Cl.**
USPC **D8/387**

(58) **Field of Classification Search**
USPC D8/358, 373, 385, 386-388, 393, 402,
D8/349, 382, 396-397; D11/79, 86, 222,
D11/226; D17/20; D24/171
CPC F16B 12/22; F16B 12/24; F16B 12/125;
F16B 37/14; F16B 12/20; F16B 12/26;
F16B 13/045; F16B 19/109; F16B
2001/0064; F16B 31/021; F16B 35/00;
F16B 37/085; F16B 37/145; E04B
1/4178; E04B 1/7616

See application file for complete search history.

(56) **References Cited**

U.S. PATENT DOCUMENTS

D284,934 S * 8/1986 Okawa D8/386
D293,882 S * 1/1988 Takahashi D8/382
D293,883 S * 1/1988 Hirohata D8/382

OTHER PUBLICATIONS

DaskFire Car Retainer Kit, Date Visited: Aug. 10, 2021, Amazon,
Date Available: Nov. 29, 2018, <https://www.amazon.co.uk/DaskFire-Universal-Fasteners-Fastener-Assortment/dp/B07KTWWY6N> (Year:
2018).*

Primary Examiner — Susan Bennett Hattan

Assistant Examiner — Elizabeth S Ko

(74) *Attorney, Agent, or Firm* — Quarles & Brady LLP

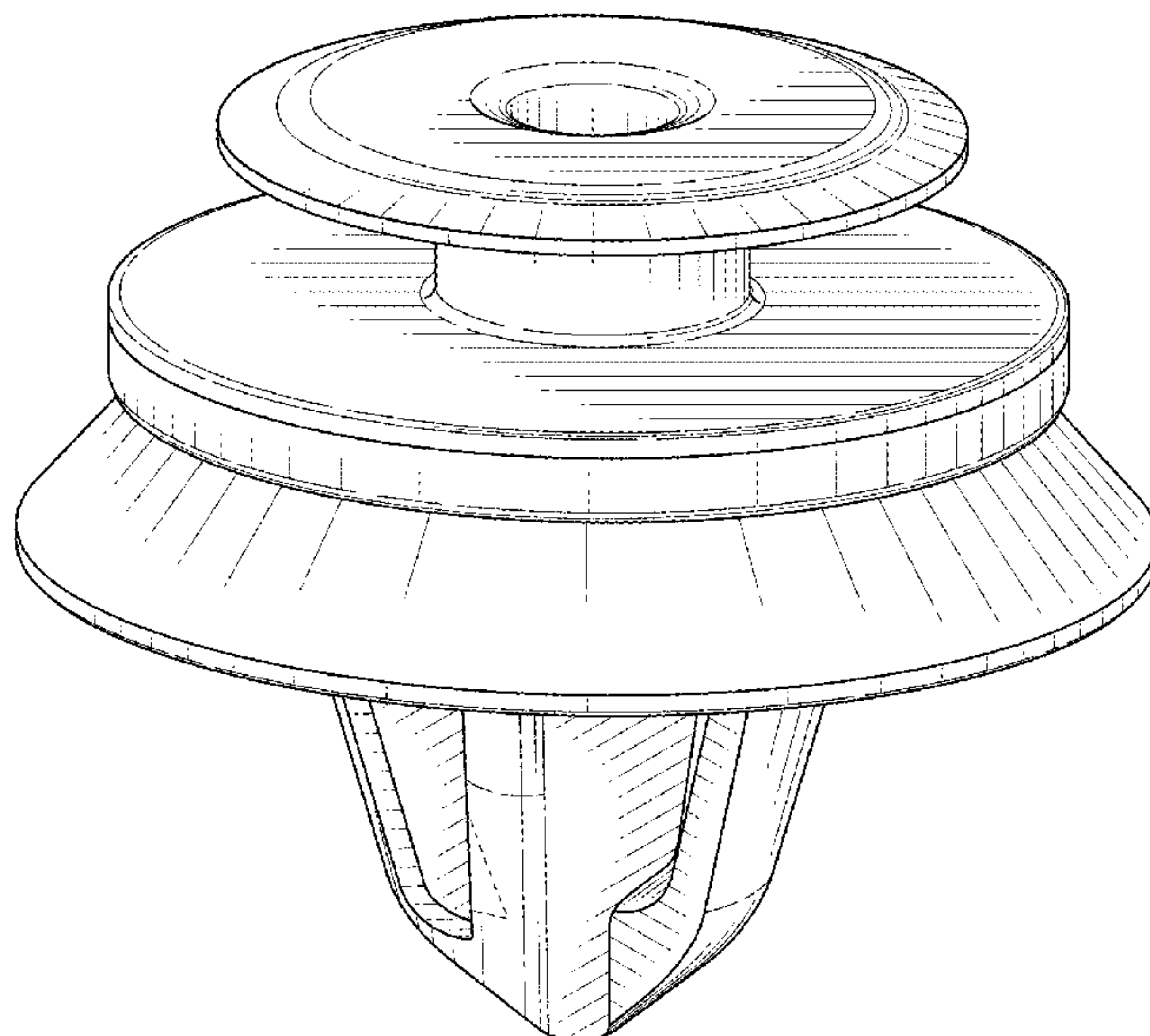
(57) **CLAIM**

The ornamental design for a fastener, as shown.

DESCRIPTION

FIG. 1 is a top, front, and left isometric view of an orna-
mental design for a fastener;
FIG. 2 is a left side elevational view of the fastener of FIG.
1;
FIG. 3 is a right side elevational view of the fastener of FIG.
1;
FIG. 4 is a front elevational view of the fastener of FIG. 1;
FIG. 5 is a rear elevational view of the fastener of FIG. 1;
FIG. 6 is a top plan view of the fastener of FIG. 1; and,
FIG. 7 is a bottom plan view of the fastener of FIG. 1.
The broken lines in the drawings depict parts of the article
that form no part of the claimed design.

1 Claim, 7 Drawing Sheets



(56)

References Cited

U.S. PATENT DOCUMENTS

D663,197	S	*	7/2012	Bohnet	D8/387
D666,900	S	*	9/2012	Ogino	D8/385
D701,112	S	*	3/2014	Ukai	D8/382
D724,419	S	*	3/2015	Ikeda	D8/382
D724,422	S	*	3/2015	Kopco	D8/382
D768,468	S	*	10/2016	Maloney	D8/382
D781,175	S	*	3/2017	Jankowski	D11/200
D835,746	S	*	12/2018	Ashley	D22/108
D854,920	S	*	7/2019	Fisher	D8/387
D854,921	S	*	7/2019	Fisher	D8/387
D857,486	S	*	8/2019	Pista	D8/387
D888,545	S	*	6/2020	Dissing	D8/387
D897,826	S	*	10/2020	Scroggie	F16B 5/0607
						D8/382
D897,827	S	*	10/2020	Trygubova	D8/387
D898,558	S	*	10/2020	Dissing	D8/387

* cited by examiner

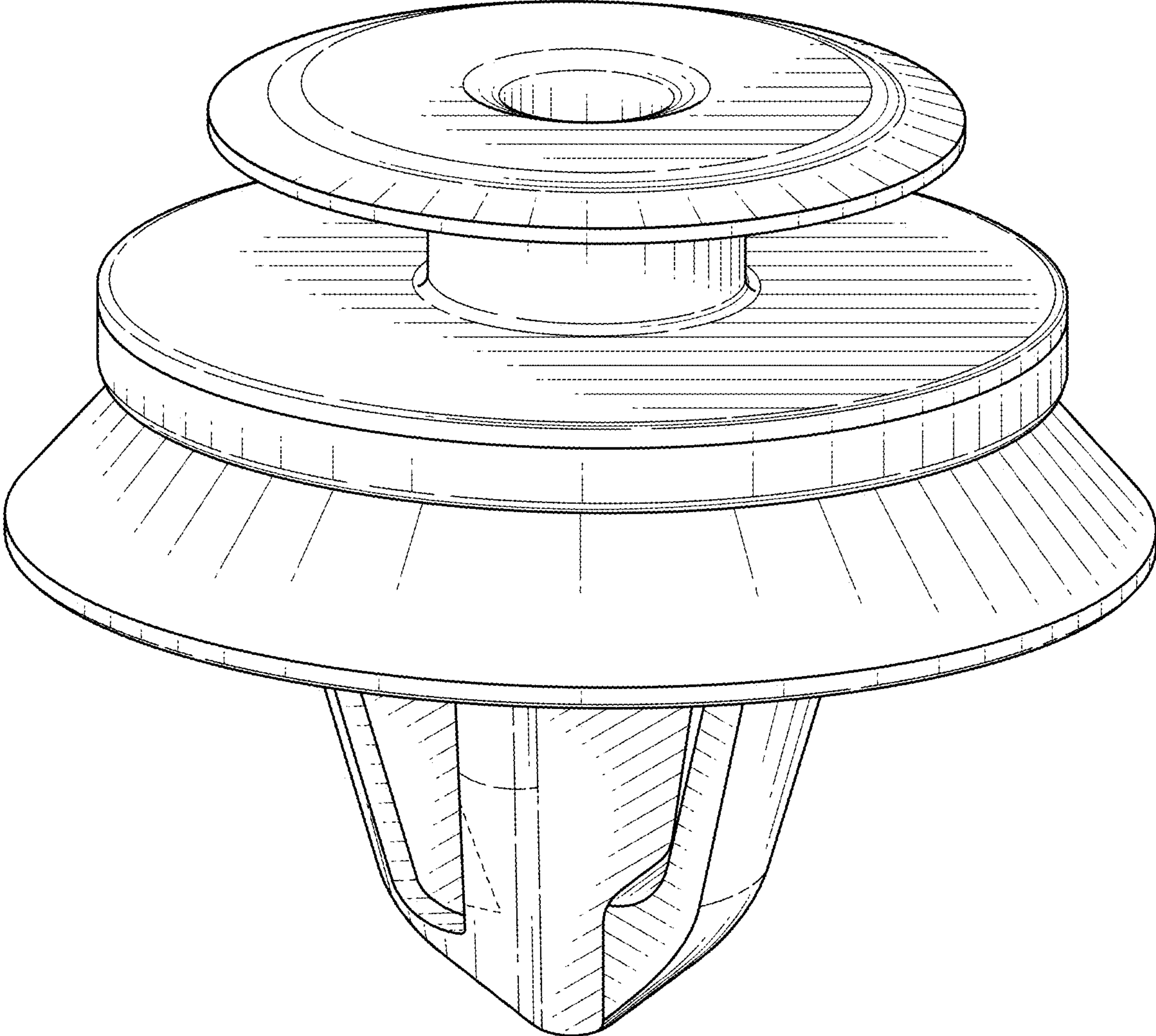


FIG. 1

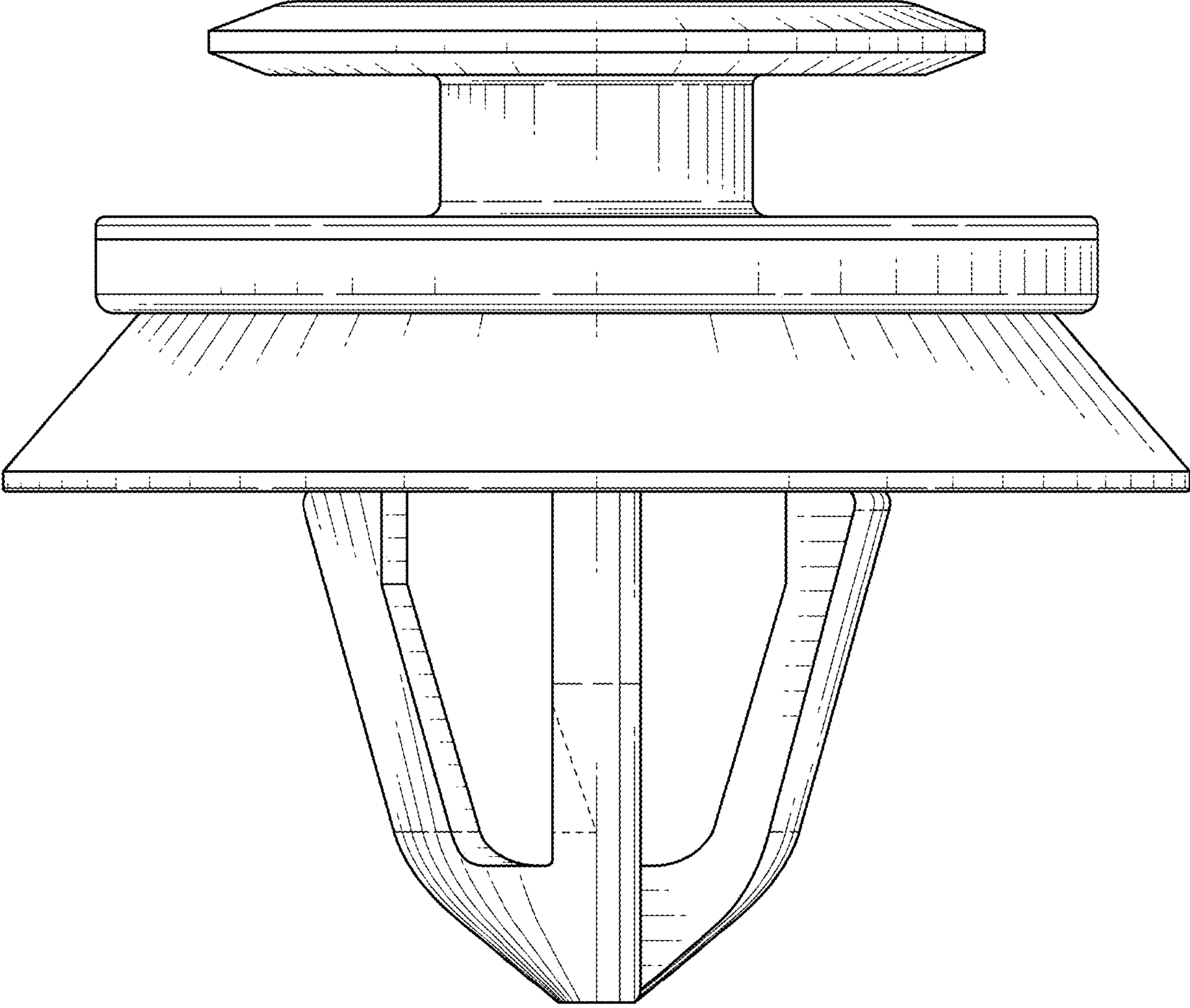


FIG. 2

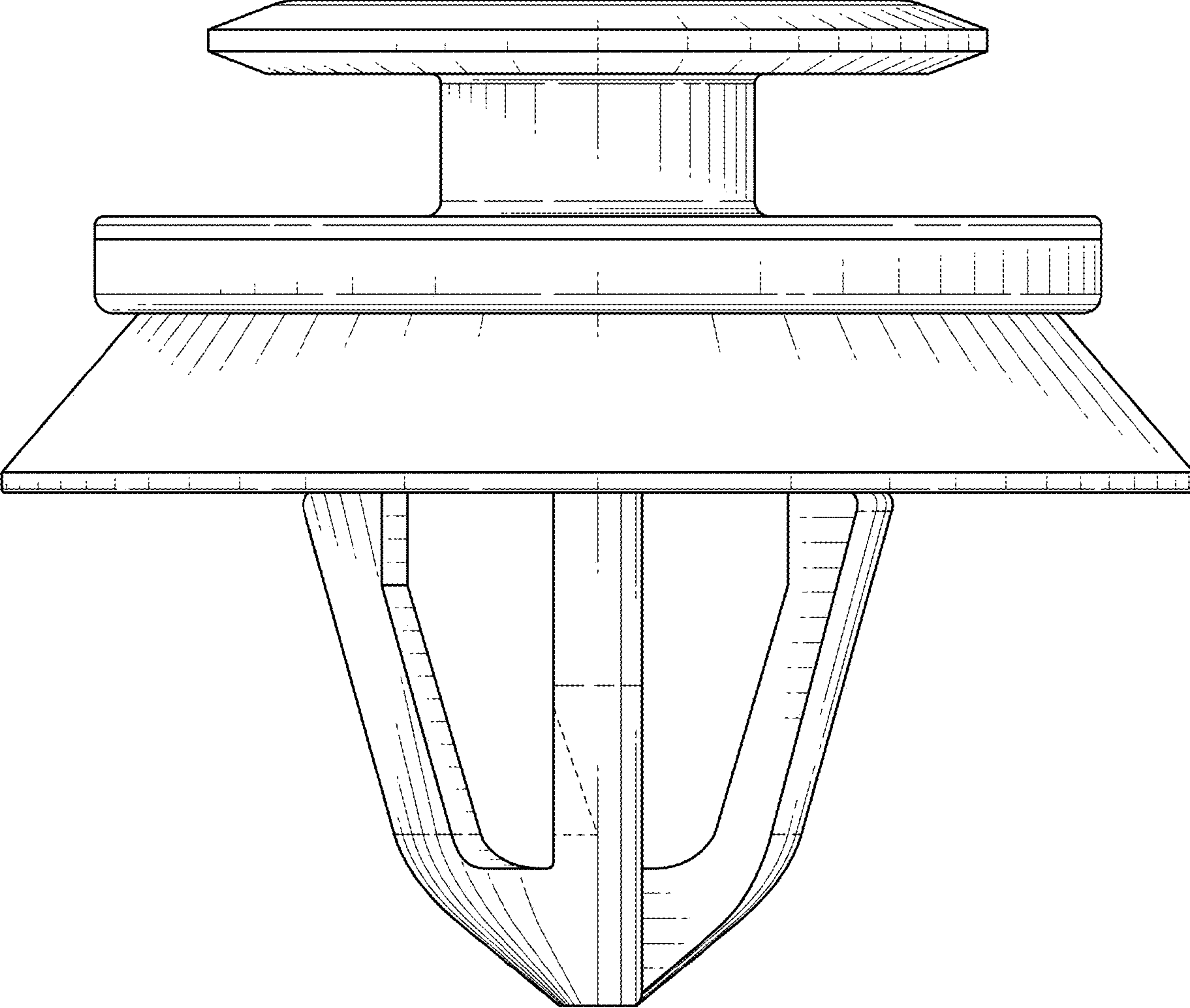


FIG. 3

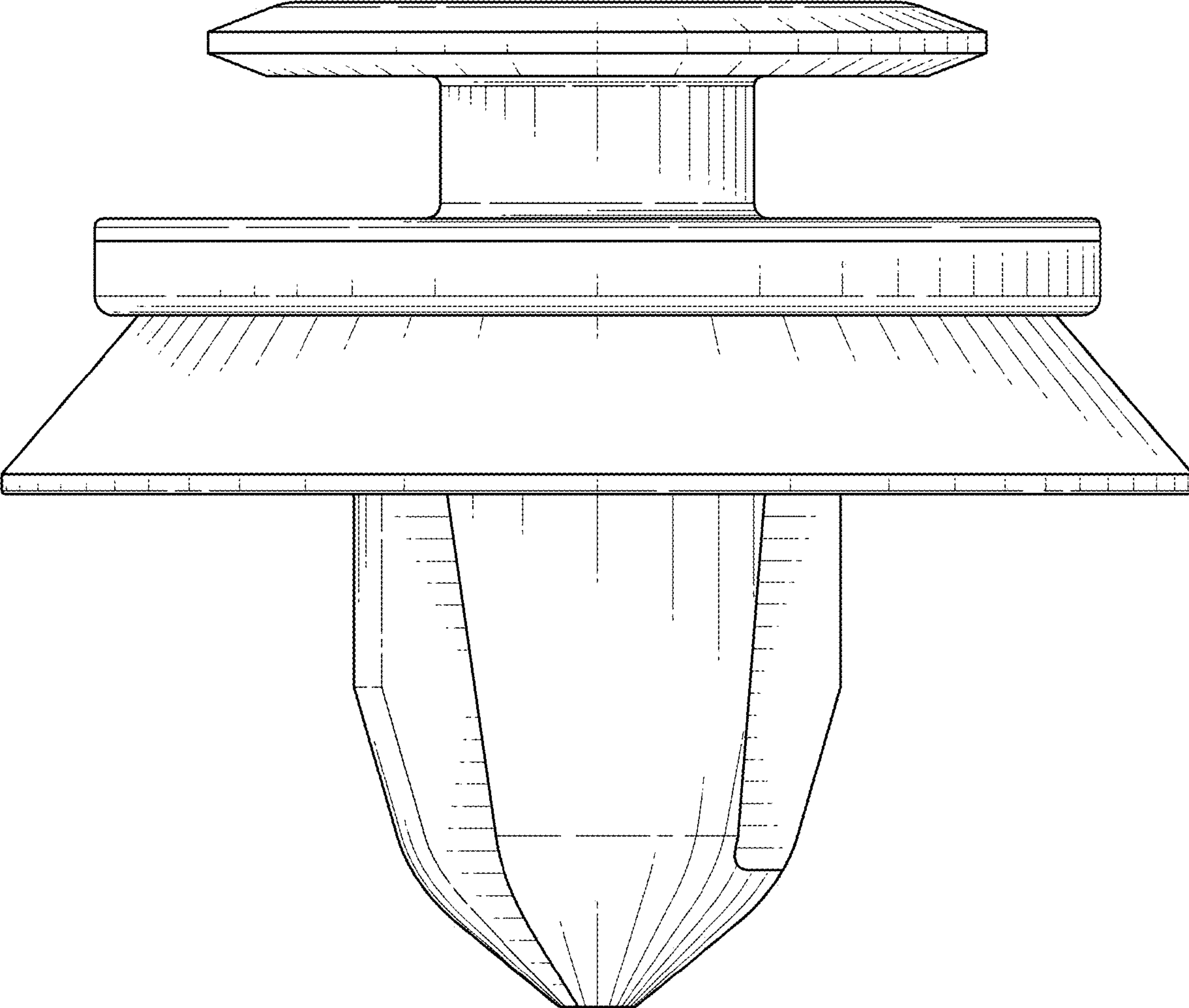


FIG. 4

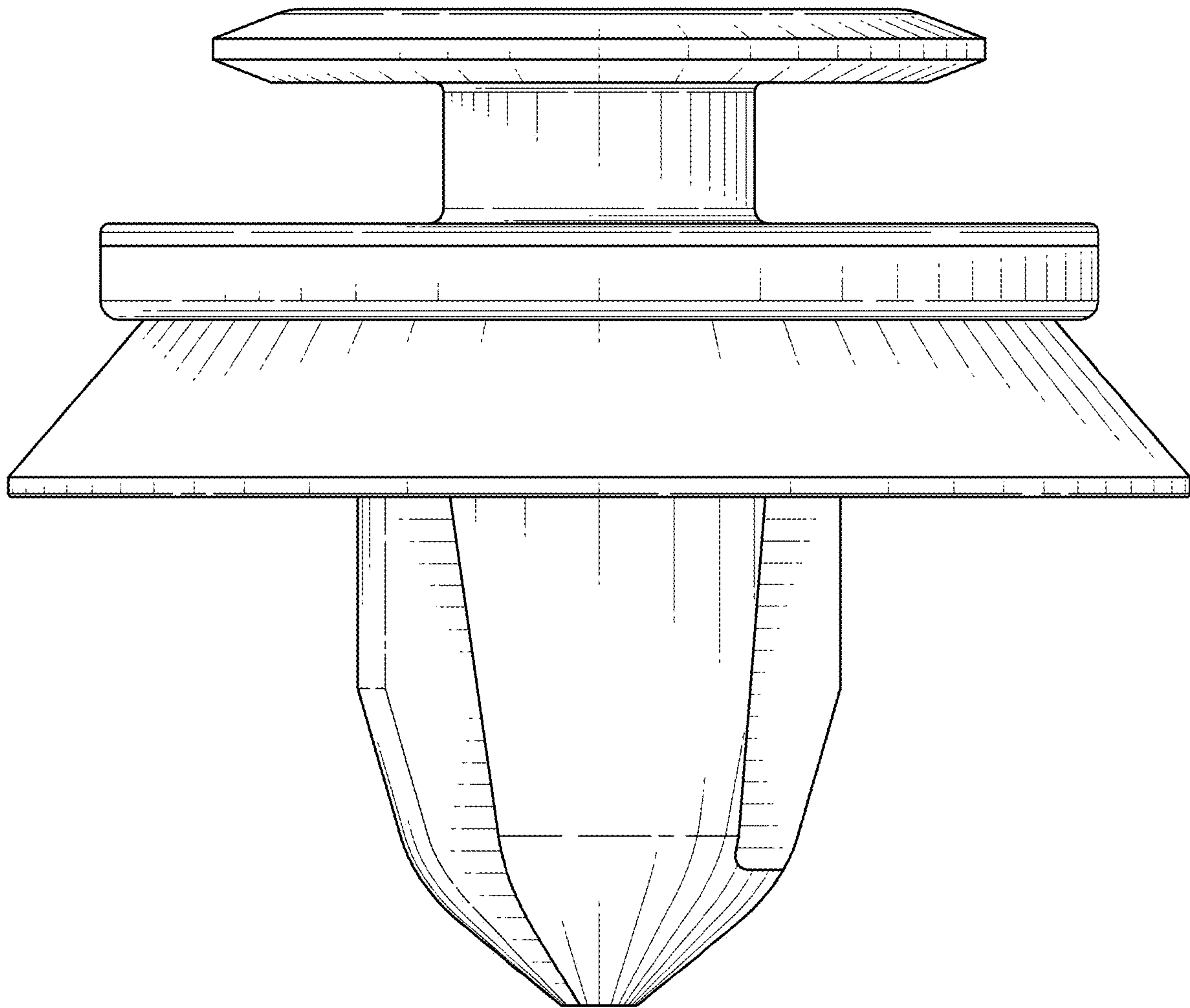


FIG. 5

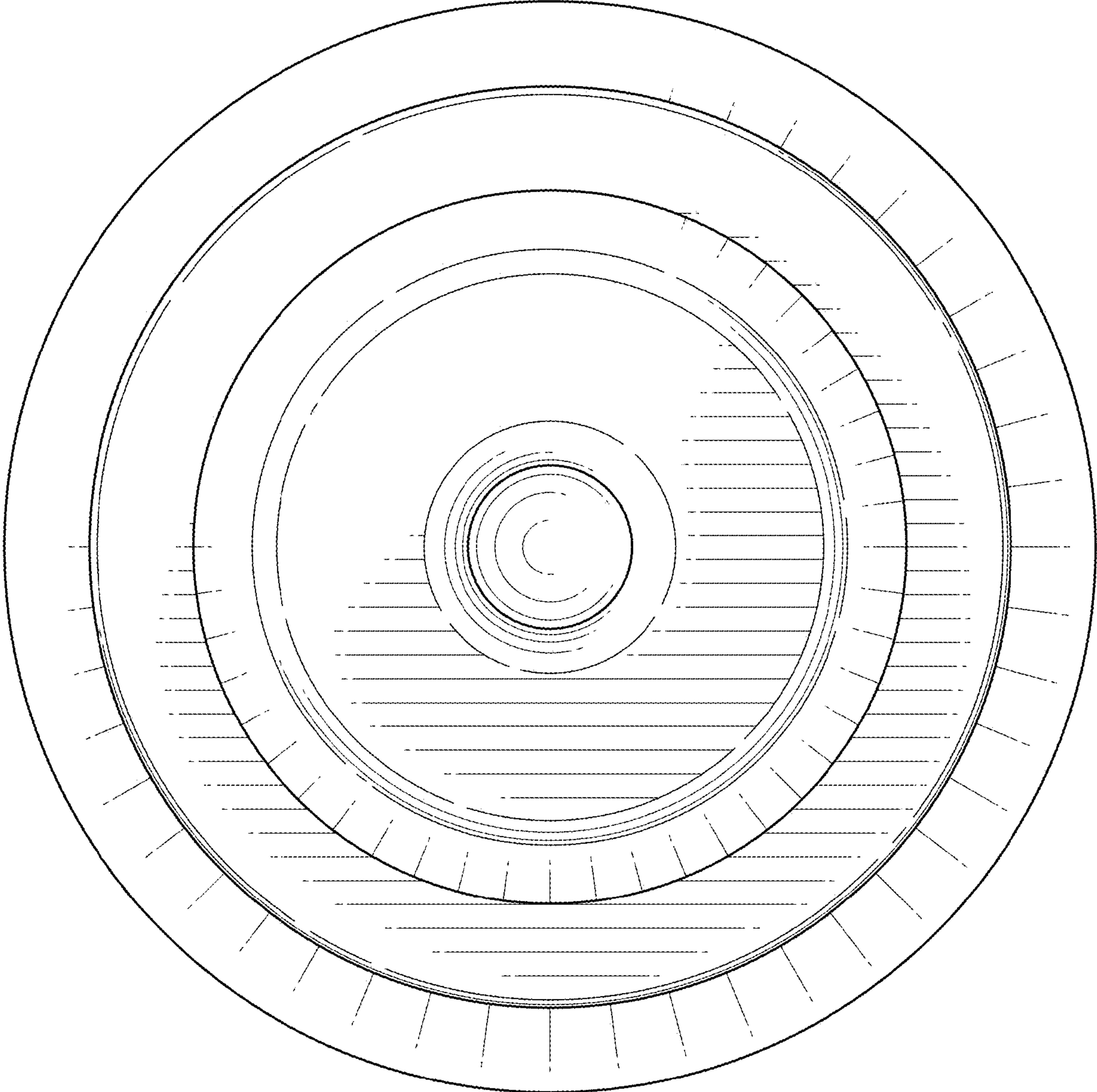


FIG. 6

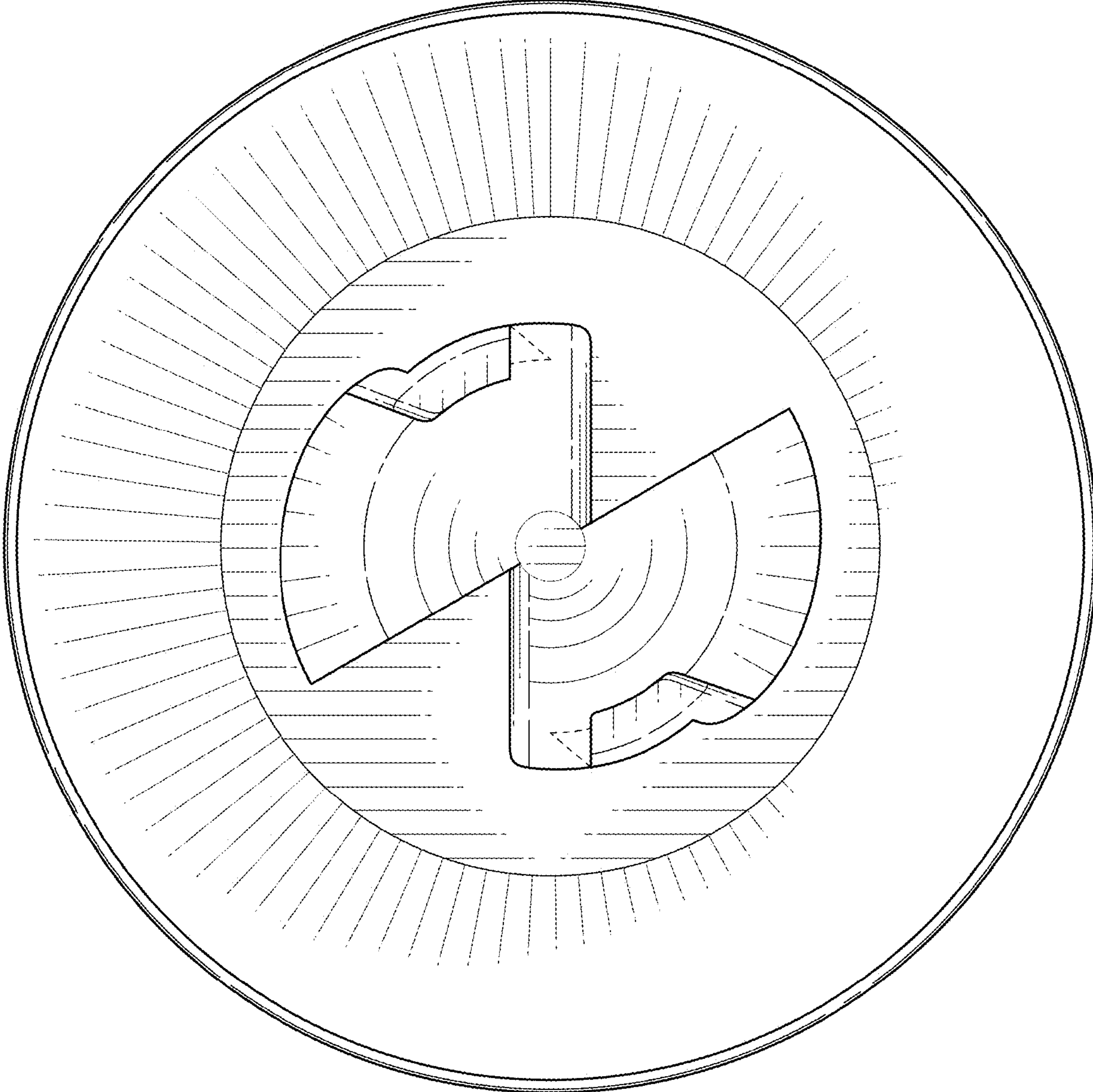


FIG. 7