



US00D953155S

(12) **United States Design Patent** (10) **Patent No.:** **US D953,155 S**  
**Chou** (45) **Date of Patent:** **\*\* May 31, 2022**

(54) **CURTAIN LOWER WEIGHT**  
(71) Applicant: **Tser Wen Chou**, Yorba Linda, CA (US)  
(72) Inventor: **Tser Wen Chou**, Yorba Linda, CA (US)  
(\*\*) Term: **15 Years**  
(21) Appl. No.: **29/690,506**  
(22) Filed: **May 8, 2019**  
(51) **LOC (13) Cl.** ..... **08-05**  
(52) **U.S. Cl.**  
USPC ..... **D8/376**  
(58) **Field of Classification Search**  
USPC ..... D8/354, 16-17, 19, 37, 47, 71, 89, 101,  
D8/363, 373, 376-377, 390-391, 404;  
D6/512, 524, 528, 534, 672; D25/119,  
D25/122-123, 124; D12/190, 195;  
D21/678-679, 701, 808, 803  
CPC ..... E06B 2009/2405; E06B 2009/2458; E06B  
9/24; E06B 9/42; E06B 9/50; A47G  
33/004; A47H 1/00; A47H 13/00; A47H  
15/00; B44C 1/18; B44C 5/02; B44C  
5/04; B44C 5/0415; E01B 11/00  
See application file for complete search history.

(56) **References Cited**  
U.S. PATENT DOCUMENTS  
D245,756 S \* 9/1977 McKee ..... D25/57  
D303,887 S \* 10/1989 Reid ..... D6/709.21  
D368,851 S \* 4/1996 Cole ..... D8/376  
D378,491 S \* 3/1997 Chretien ..... D8/376  
D385,178 S \* 10/1997 Poulin ..... D8/376  
D389,038 S \* 1/1998 Rosul ..... D8/376  
D522,845 S \* 6/2006 Suero ..... D8/378  
D522,846 S \* 6/2006 Suero, Jr. .... D8/378  
D522,847 S \* 6/2006 Suero, Jr. .... D8/376  
D525,115 S \* 7/2006 Harwanko ..... D8/376  
D530,132 S \* 10/2006 Ivankovic ..... D6/580  
D549,085 S \* 8/2007 Mevissen ..... D8/376

D558,569 S \* 1/2008 Hanley ..... E05D 15/0652  
D8/400  
D568,146 S \* 5/2008 ter Braak ..... D8/377  
D578,871 S \* 10/2008 Rogers ..... D8/376  
D592,944 S \* 5/2009 Kollman ..... D8/376  
D604,151 S \* 11/2009 Kollman ..... D8/376  
D630,934 S \* 1/2011 Kollman ..... D8/376  
D681,423 S \* 5/2013 Walker ..... D8/376  
D684,037 S \* 6/2013 Harwanko ..... D8/376  
D691,029 S \* 10/2013 Didehvar ..... D8/376  
D692,685 S \* 11/2013 Chou ..... D6/580  
(Continued)

**OTHER PUBLICATIONS**

IMBTECH Shower Curtain Tension Rod, Date Visited: Jan. 29, 2022, Amazon, Date Available: Oct. 26, 2021, <https://www.amazon.co.uk/IMBTECH-Extendable-Telescopic-Drilling-110-200CM/dp/B09KC68XHR> (Year: 2021).\*  
(Continued)

*Primary Examiner* — Susan Bennett Hattan  
*Assistant Examiner* — Elizabeth S Ko  
(74) *Attorney, Agent, or Firm* — Guice Patents PLLC

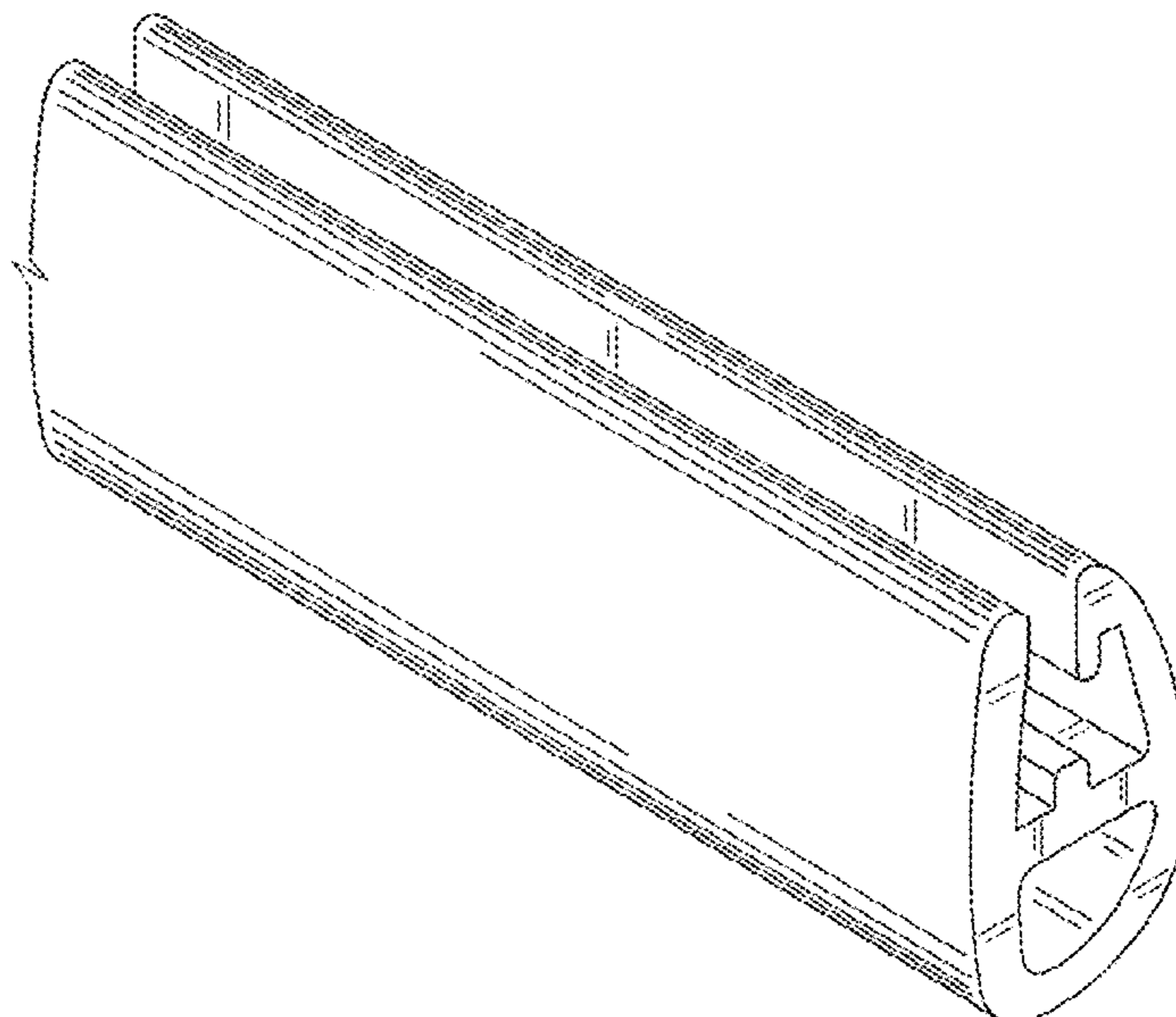
(57) **CLAIM**

The ornamental design for a curtain lower weight, as shown and described.

**DESCRIPTION**

FIG. 1 is a perspective view of a curtain lower weight;  
FIG. 2 is a front view thereof;  
FIG. 3 is a rear view thereof;  
FIG. 4 is a right side view thereof;  
FIG. 5 is a left side view thereof;  
FIG. 6 is a top view thereof; and,  
FIG. 7 is a bottom view thereof.  
The drawings contain a symbolic break symbol. The claim terminates at the line that includes the break symbol.

**1 Claim, 4 Drawing Sheets**



(56)

**References Cited**

U.S. PATENT DOCUMENTS

D742,138 S \* 11/2015 Chou ..... D6/580  
D746,668 S \* 1/2016 Keegan ..... D8/376  
D769,034 S \* 10/2016 Lawson ..... D6/681.1  
D778,841 S \* 2/2017 Seever ..... D13/155  
D793,734 S \* 8/2017 Liang ..... D8/376  
D793,765 S \* 8/2017 Chou ..... D6/580  
D864,701 S \* 10/2019 Huang ..... D8/376  
D867,864 S \* 11/2019 Haruta ..... D8/376  
D937,066 S \* 11/2021 Willey ..... D8/71  
2021/0310299 A1 \* 10/2021 Chiquin ..... E06B 9/42

OTHER PUBLICATIONS

China Head Rail for Roller Blinds factory, Date Visited: Jan. 29, 2022, Group Eve, Date Available: Jan. 29, 2022, <https://www.groupeve.com/bottom-rail-for-roller-blinds-product/> (Year: 2022).\*

GI1318 Elegant Bottom Rail for Roller Blind, Date Visited: Jan. 29, 2022, Made in China, Date Available: Jan. 29, 2022, <https://m.made-in-china.com/product/GI1318-Elegant-Bottom-Rail-for-Roller-Blind-912321085.html> (Year: 2022).\*

Stainless Steel Spring Tension Rod Extendable 2018, Date Visited: Jan. 29, 2022, Amazon, Date Available: Dec. 7, 2018, <https://www.amazon.co.uk/Frenessa-Stainless-Extendable-Telescopic-Adjustable/dp/B07L4P7P2X/> (Year: 2018).\*

\* cited by examiner

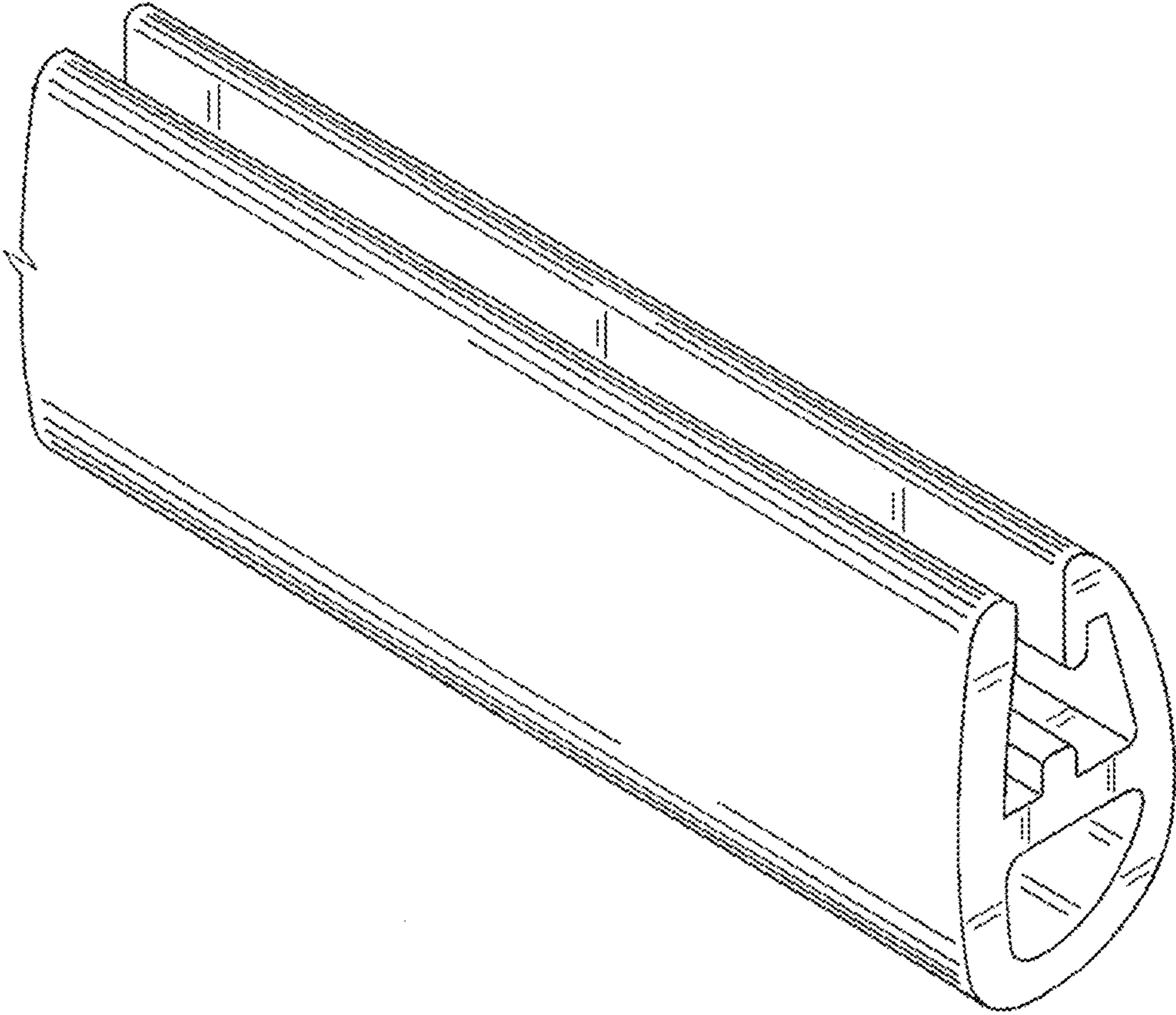


FIG. 1

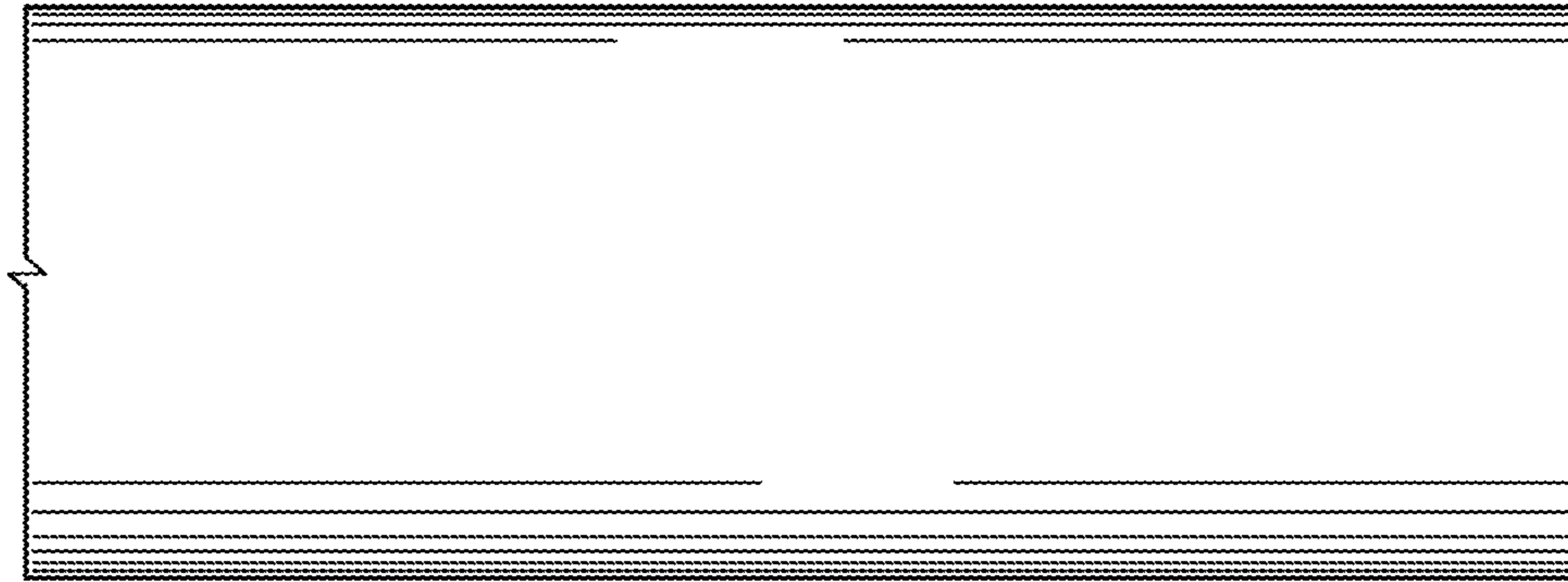


FIG. 2

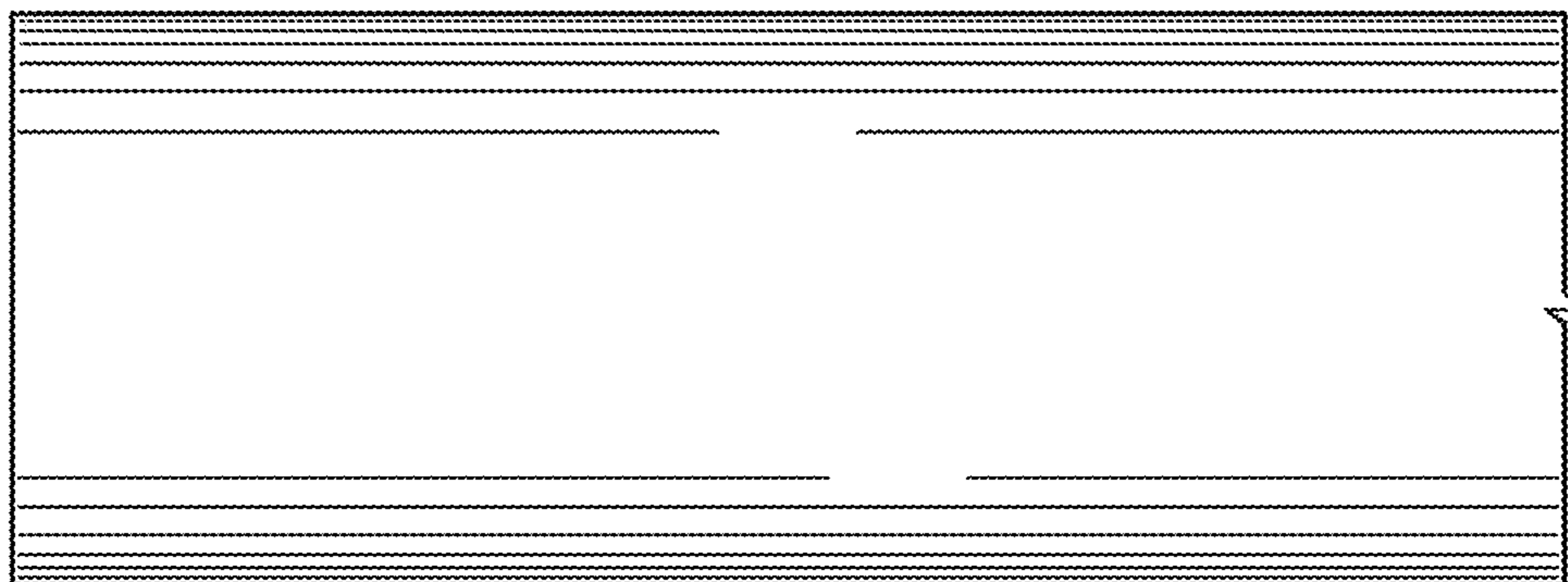


FIG. 3

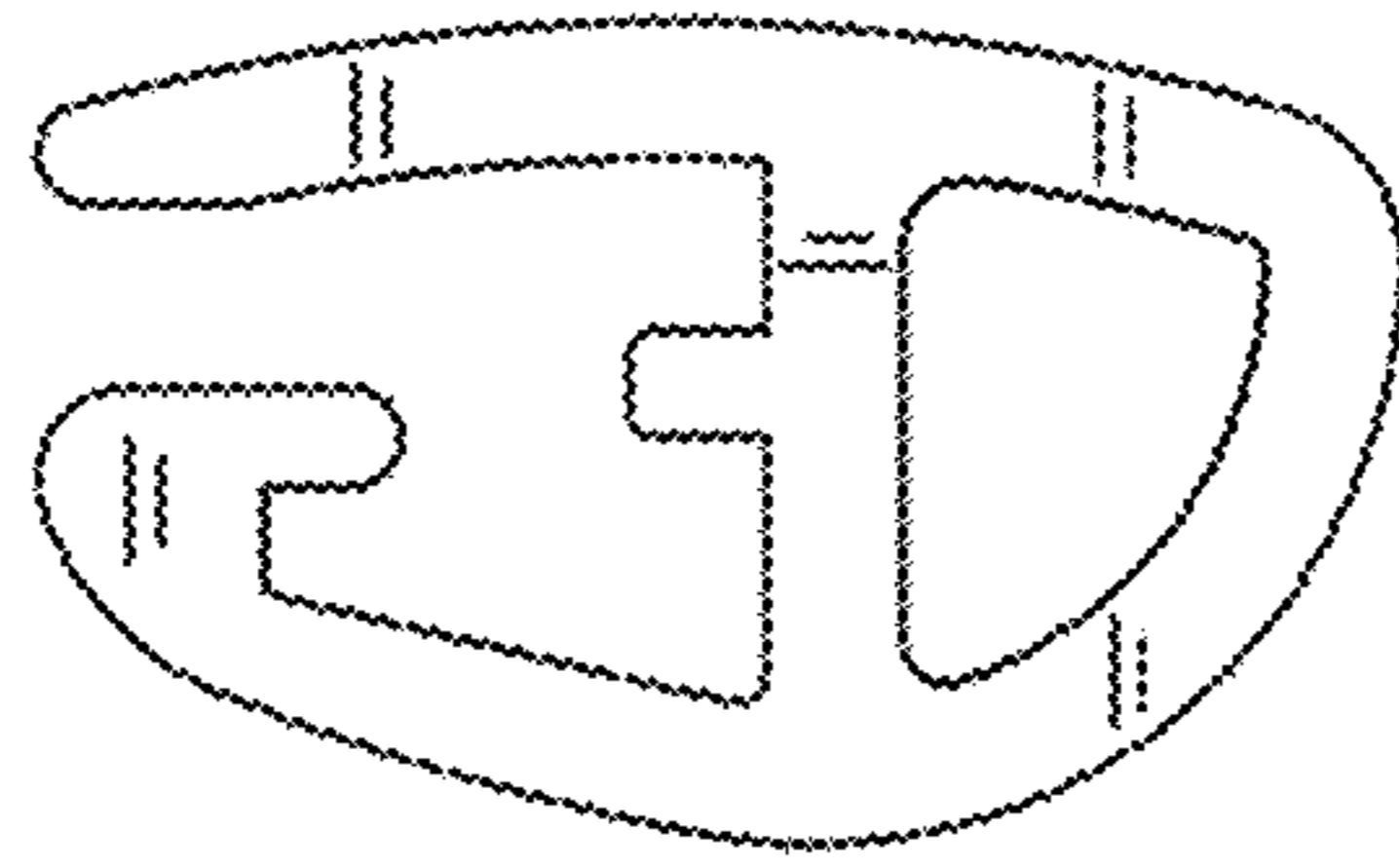


FIG. 5

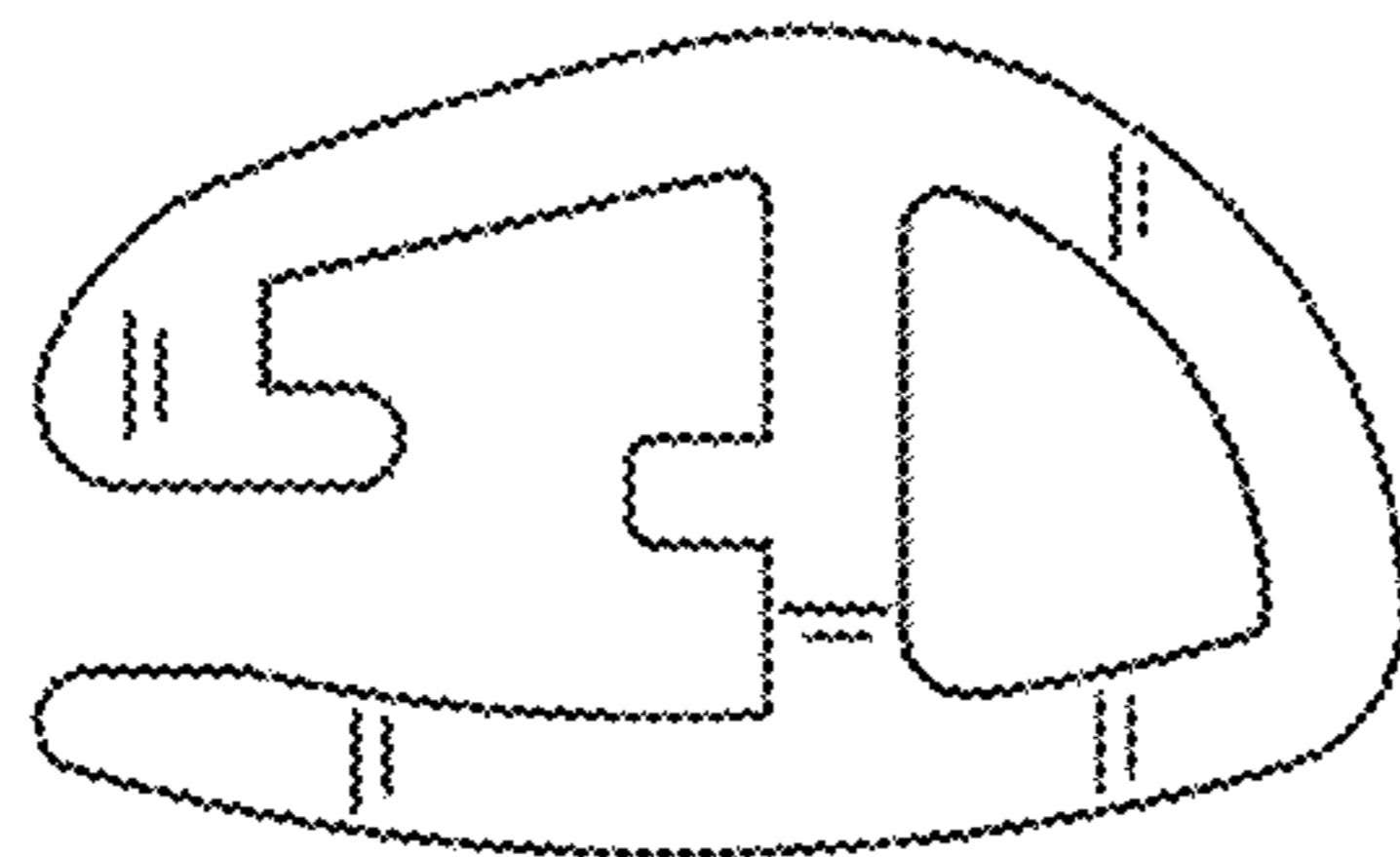


FIG. 4

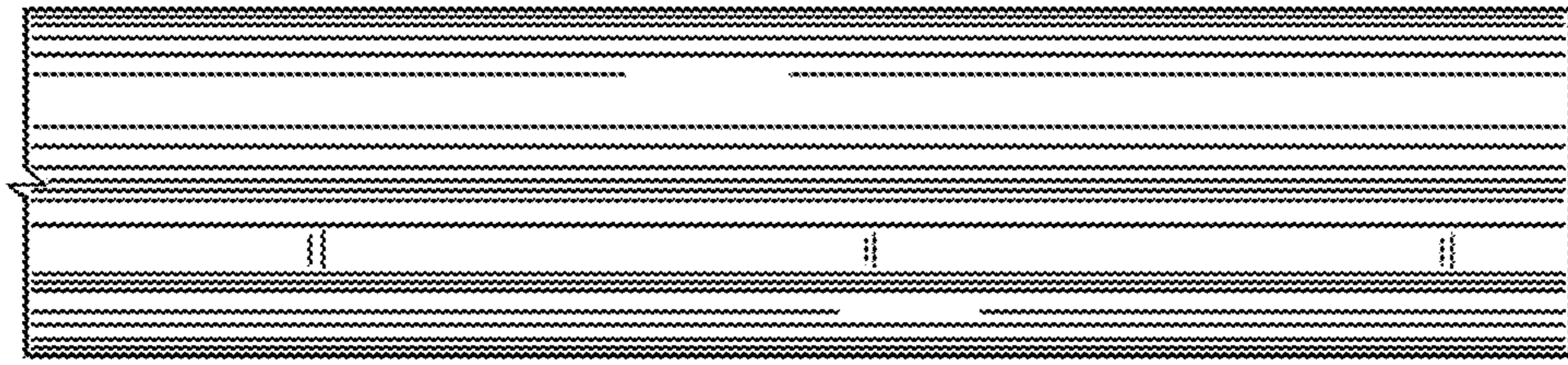


FIG. 6

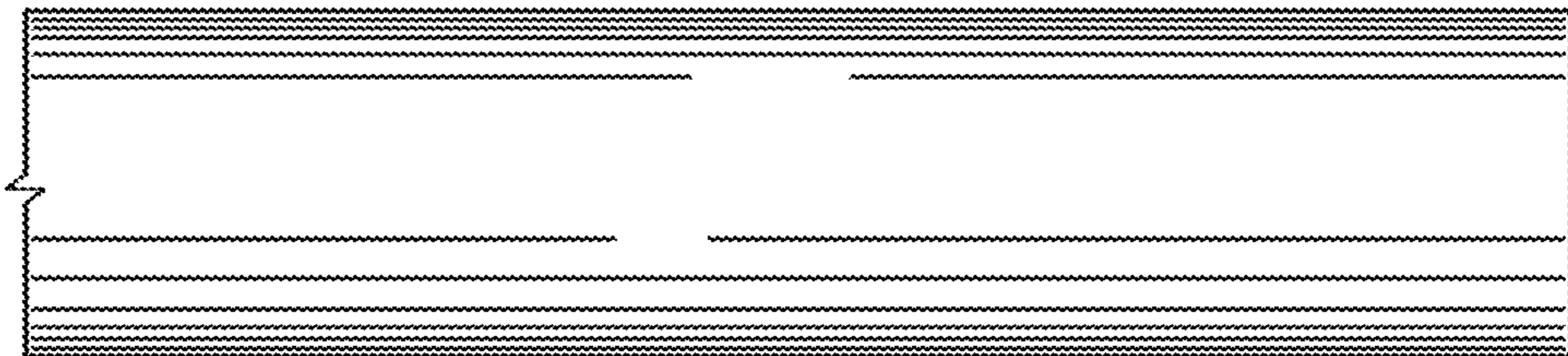


FIG. 7