



US00D953154S

(12) **United States Design Patent**  
**Pearson**

(10) **Patent No.:** **US D953,154 S**

(45) **Date of Patent:** **\*\* May 31, 2022**

(54) **BRACKET**

(71) Applicant: **CABELA'S LLC**, Sidney, NE (US)

(72) Inventor: **Stephen Pearson**, Sidney, NE (US)

(73) Assignee: **CABELA'S LLC**

(\*\*) Term: **15 Years**

(21) Appl. No.: **29/728,038**

(22) Filed: **Mar. 16, 2020**

**Related U.S. Application Data**

(62) Division of application No. 29/595,648, filed on Mar. 1, 2017, now Pat. No. Des. 881,683.

(51) **LOC (13) Cl.** ..... **08-05**

(52) **U.S. Cl.**  
USPC ..... **D8/375**

(58) **Field of Classification Search**  
USPC ..... D8/354, 375; D3/276, 318  
CPC ..... B60B 3/14; B60B 33/00; B60B 33/0002  
See application file for complete search history.

(56) **References Cited**

**U.S. PATENT DOCUMENTS**

2,184,038	A	12/1939	Dayton	
D275,832	S *	10/1984	Kotkins, Jr.	D3/318
D285,528	S *	9/1986	Huot	D8/330
D291,138	S *	7/1987	Arneteg	D34/35
5,259,215	A ‡	11/1993	Rocca	A45C 5/143 280/30
5,407,218	A ‡	4/1995	Jackson	A45C 5/14 280/30
D358,320	S *	5/1995	Wang	D8/375
D370,405	S *	6/1996	Wu	D8/375
D375,202	S *	11/1996	Vermillion	D3/318
D375,597	S	11/1996	Lee	
D400,081	S *	10/1998	Ibaragi	D8/354
D426,453	S *	6/2000	Stearns	D8/354

D437,282	S *	2/2001	Joll	D12/223
D439,410	S *	3/2001	Chang	D3/318
D466,797	S *	12/2002	Wu	D8/374
D476,036	S *	6/2003	Kolls	D20/8
D491,365	S *	6/2004	Proot	D3/318
D527,225	S ‡	8/2006	Krieger	D7/605
7,207,576	B1 ‡	4/2007	Ibarra	B62B 5/0083 280/30

(Continued)

**OTHER PUBLICATIONS**

Examiner's Report Canadian Patent Application No. 176519 dated Feb. 11, 2018. ‡

(Continued)

*Primary Examiner* — Christy Nemeth  
(74) *Attorney, Agent, or Firm* — Harness, Dickey & Pierce, PLC

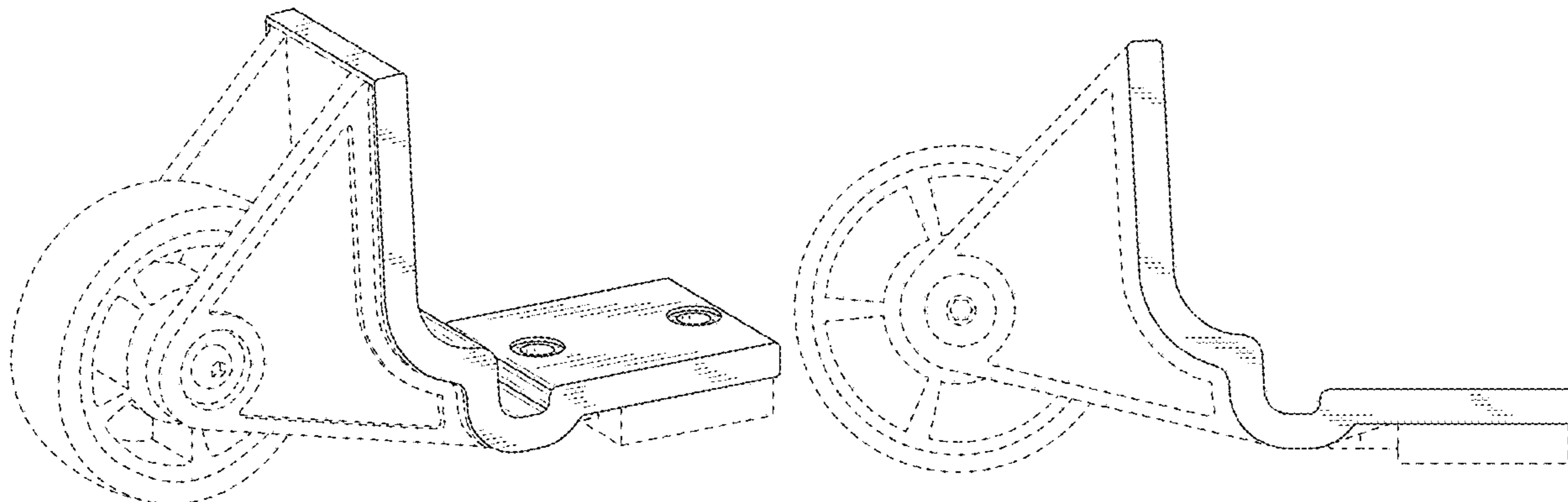
(57) **CLAIM**

The ornamental design for a bracket, as shown and described.

**DESCRIPTION**

FIG. 1 is a left, top, rear perspective view of a bracket of my new design;  
FIG. 2 is another left, top, rear perspective view thereof;  
FIG. 3 is a left side elevational view thereof;  
FIG. 4 is a right side elevational view thereof;  
FIG. 5 is a rear elevational view thereof;  
FIG. 6 is a front elevational view thereof;  
FIG. 7 is a top plan view thereof; and,  
FIG. 8 is a bottom plan view thereof.  
The dash-dash broken lines in the drawings illustrate environmental subject matter that forms no part of the claimed design. The dash-dot broken lines in the drawings illustrate a boundary and form no part of the claimed design.

**1 Claim, 4 Drawing Sheets**



(56)

References Cited

U.S. PATENT DOCUMENTS

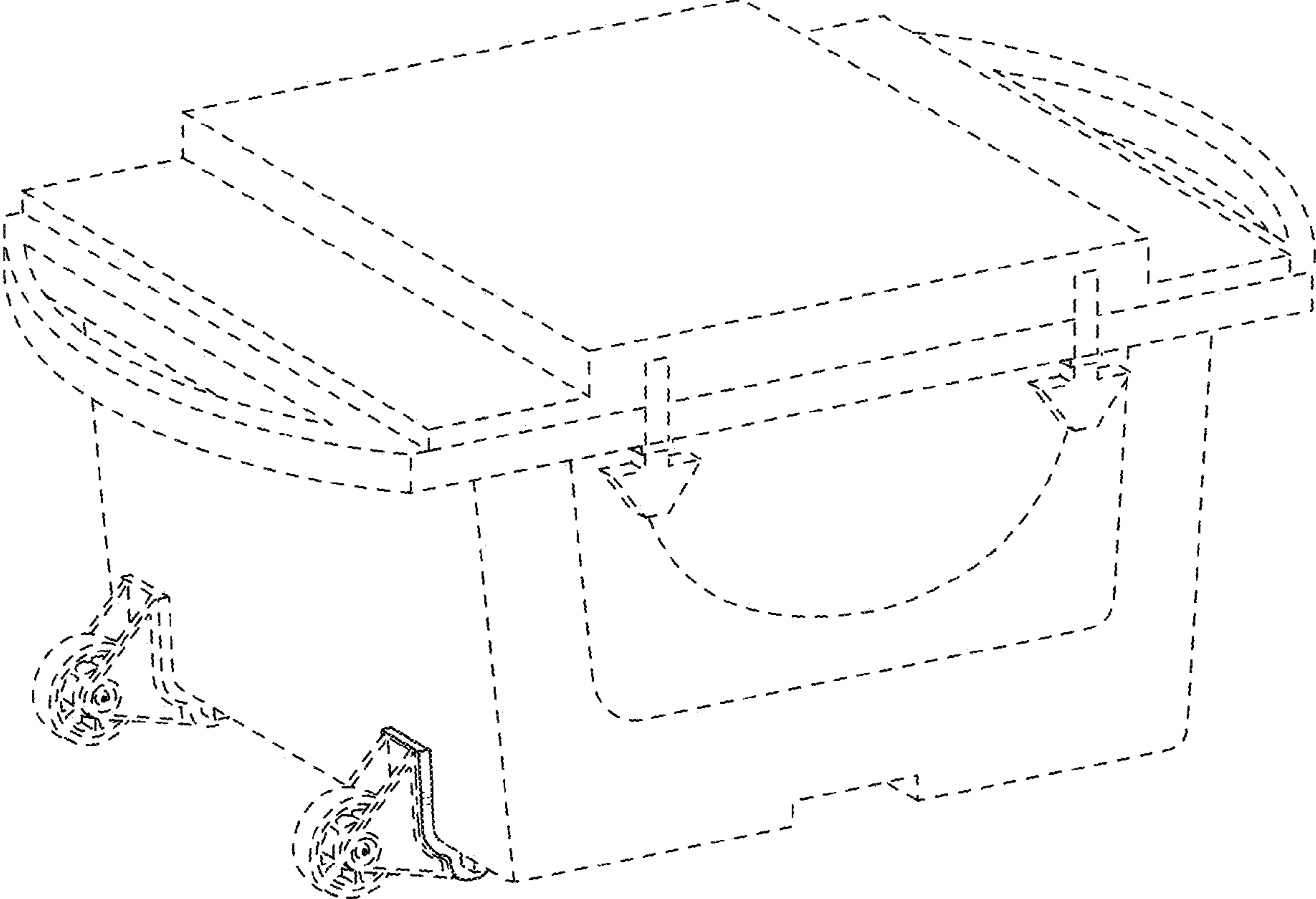
D570,200 S 6/2008 Jen  
 D582,678 S 12/2008 Rekuc  
 D639,638 S 6/2011 Jorgensen  
 D639,639 S \* 6/2011 Koehn ..... D8/375  
 D663,611 S \* 7/2012 Nunez Farfan ..... D8/380  
 D667,697 S ‡ 9/2012 Shah ..... D7/605  
 8,256,156 B1 ‡ 9/2012 Burgoyne, Jr. .... A01K 97/06  
 206/31  
 D669,340 S \* 10/2012 Dotsey ..... D8/354  
 D697,717 S \* 1/2014 Santy ..... D3/318  
 D698,153 S \* 1/2014 Santy ..... D3/318  
 D718,936 S \* 12/2014 Sanz ..... D3/318  
 9,022,395 B1 ‡ 5/2015 Vanderberg ..... F25D 3/08  
 280/47  
 D730,719 S \* 6/2015 Sundberg ..... D8/354  
 D739,216 S \* 9/2015 Cole ..... D8/375  
 9,199,657 B2 ‡ 12/2015 Martin ..... B62B 5/0083  
 9,199,782 B1 ‡ 12/2015 Cliatt ..... B65D 81/3813  
 9,278,704 B2 ‡ 3/2016 Cates ..... B62B 5/0089  
 9,340,224 B2 ‡ 5/2016 Yoder ..... B62B 19/00  
 D809,293 S 2/2018 Virassamy

D811,090 S \* 2/2018 Karl ..... D3/318  
 D820,770 S \* 6/2018 Vaarsi ..... D12/501  
 D830,816 S \* 10/2018 Chan ..... D8/375  
 D831,466 S \* 10/2018 Lang ..... D8/349  
 D858,262 S \* 9/2019 Wilson ..... D8/373  
 D881,683 S \* 4/2020 Pearson ..... D8/375  
 D883,073 S \* 5/2020 Jaramillo ..... D8/354  
 D892,596 S \* 8/2020 Farnworth ..... D8/354  
 D905,537 S \* 12/2020 Marsden ..... D8/354  
 10,960,706 B2 \* 3/2021 Pearson ..... B60B 33/0063  
 2004/0163208 A1 \* 8/2004 Kuo ..... B60B 33/0049  
 16/29  
 2018/0162158 A1 \* 6/2018 Pearson ..... B60B 3/001

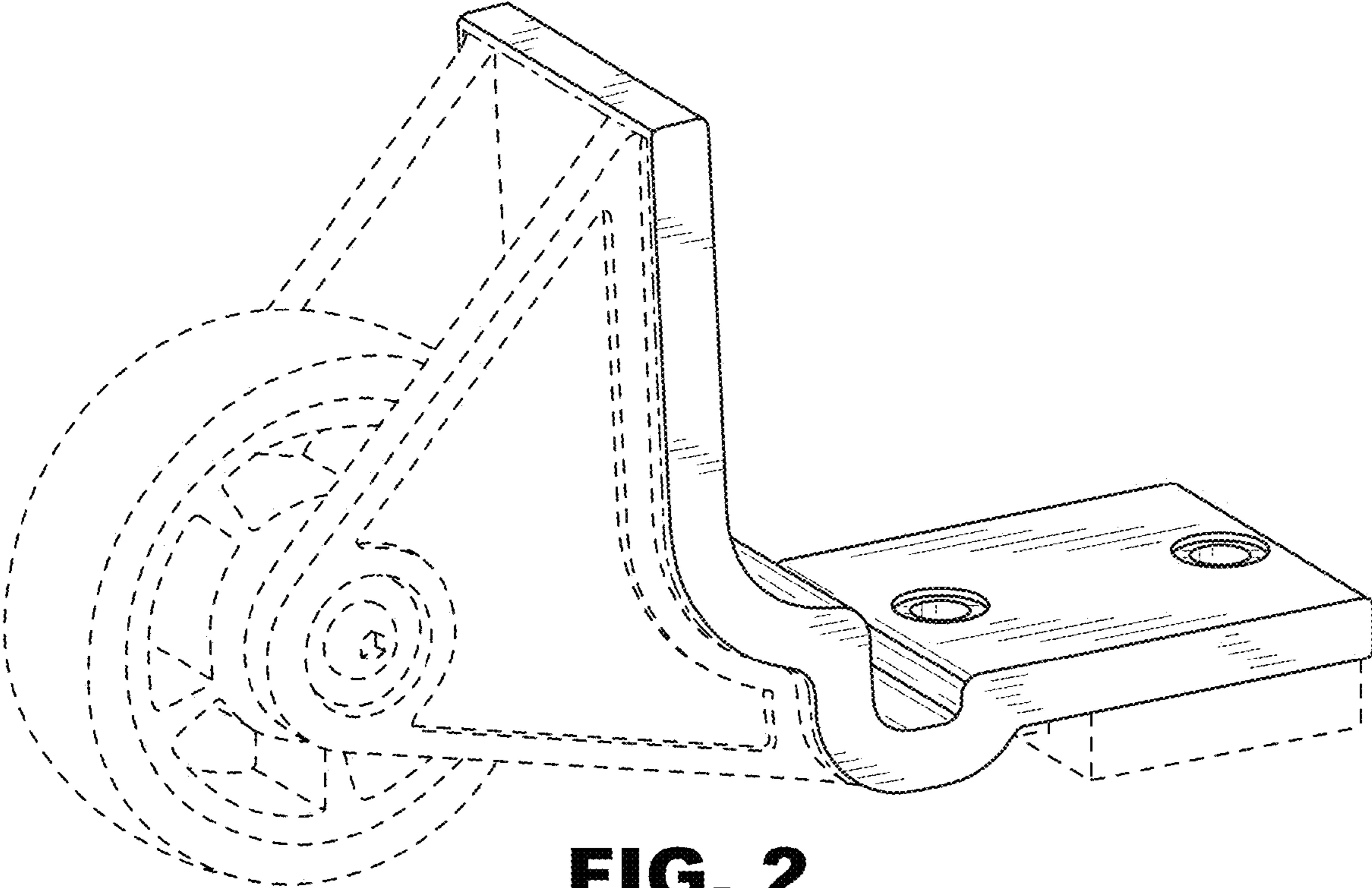
OTHER PUBLICATIONS

Examiner's Report Canadian Patent Application No. 176519 dated  
 May 31, 2018.‡  
 Examiner's Report Canadian Patent Application No. 181297 dated  
 May 31, 2018.‡

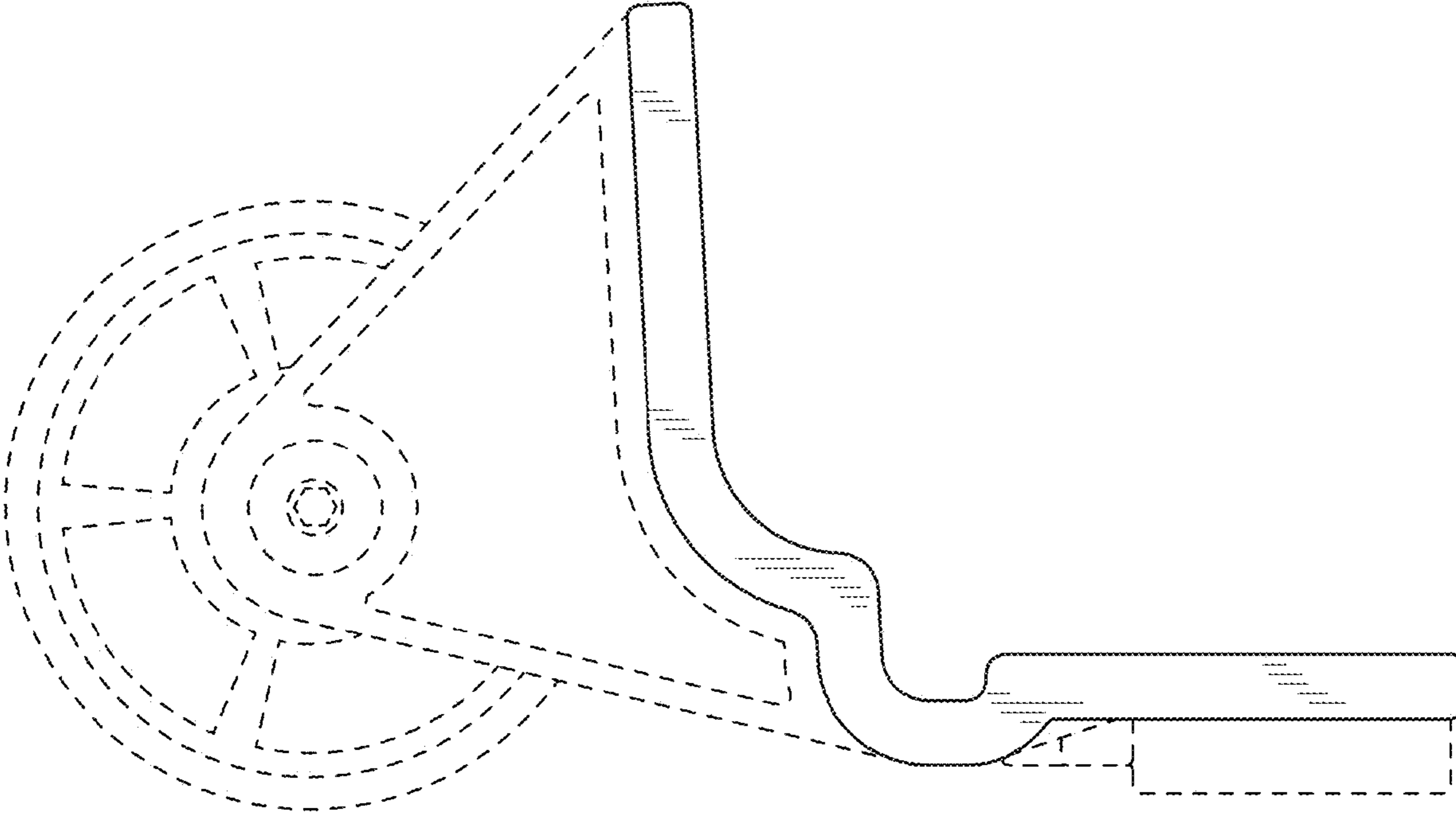
\* cited by examiner  
 ‡ imported from a related application



**FIG. 1**

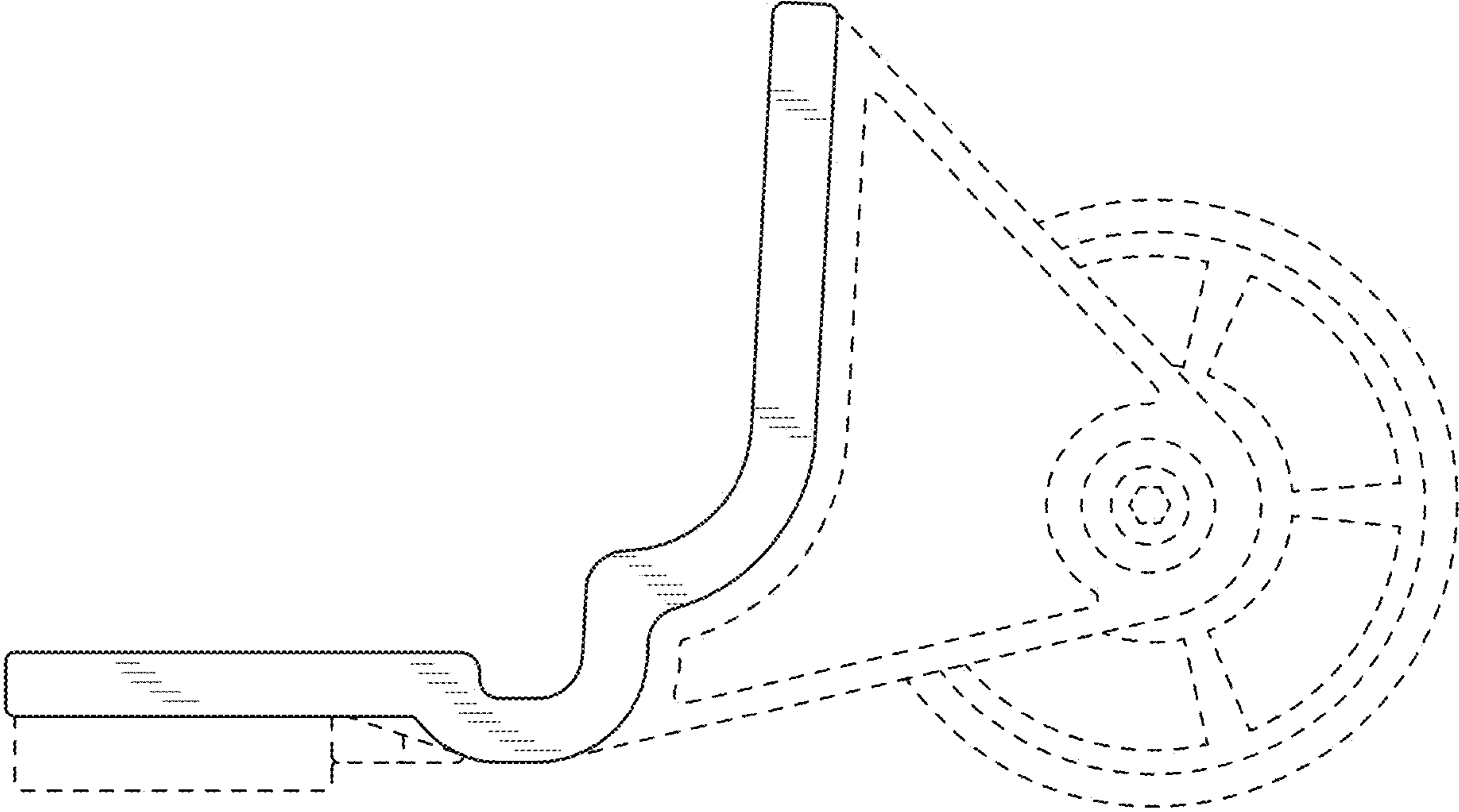


**FIG. 2**

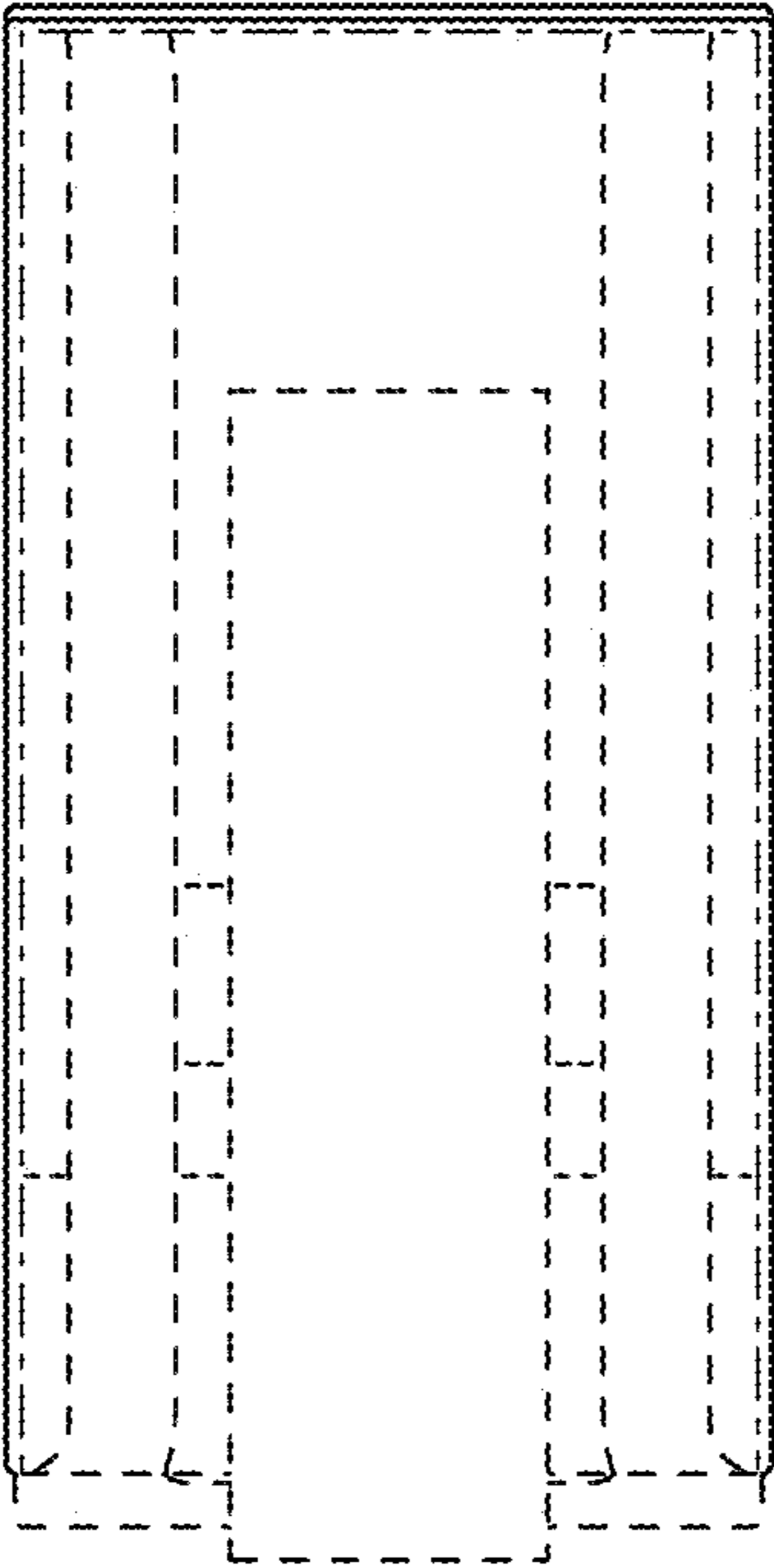


**FIG. 3**

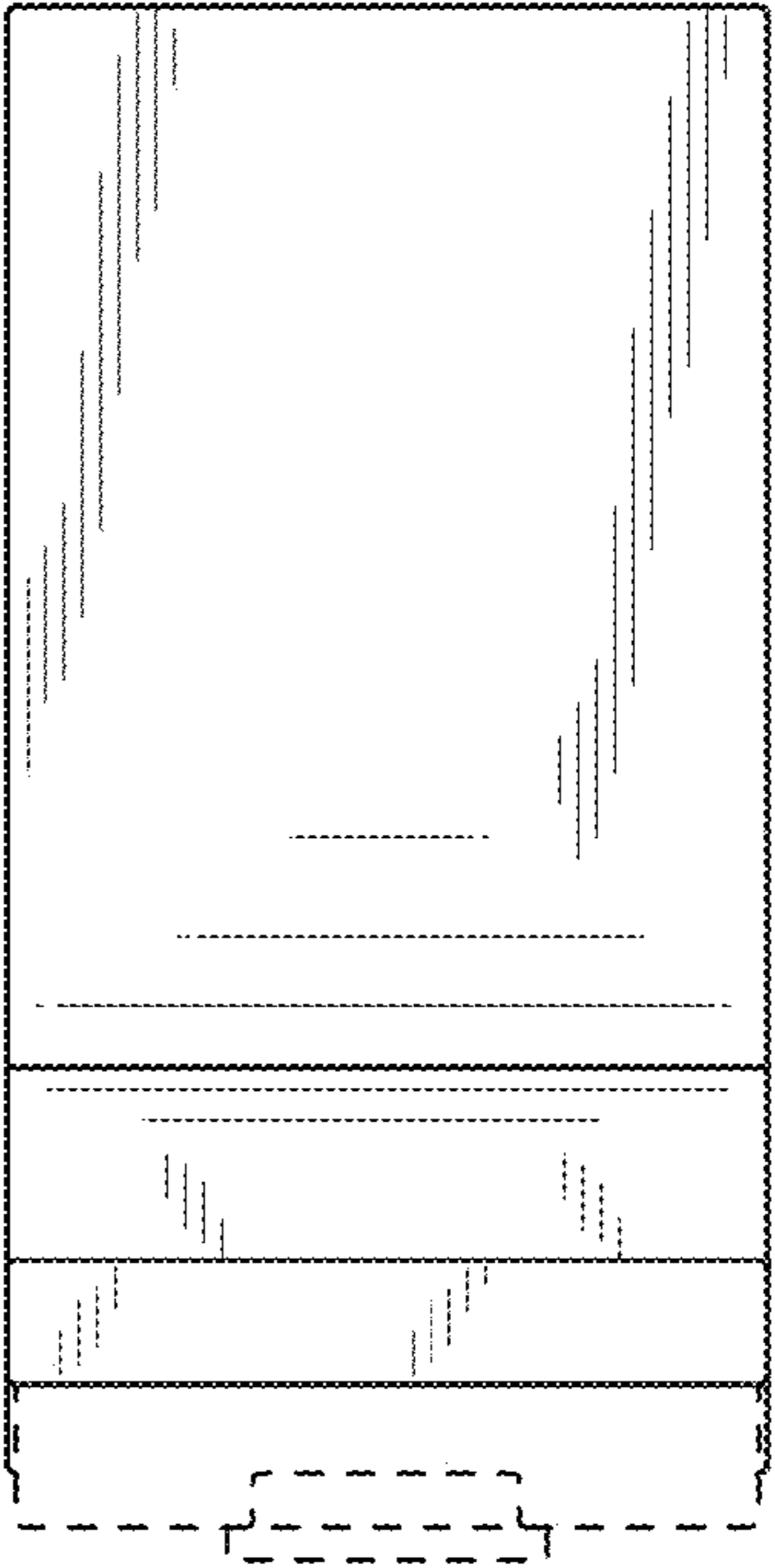




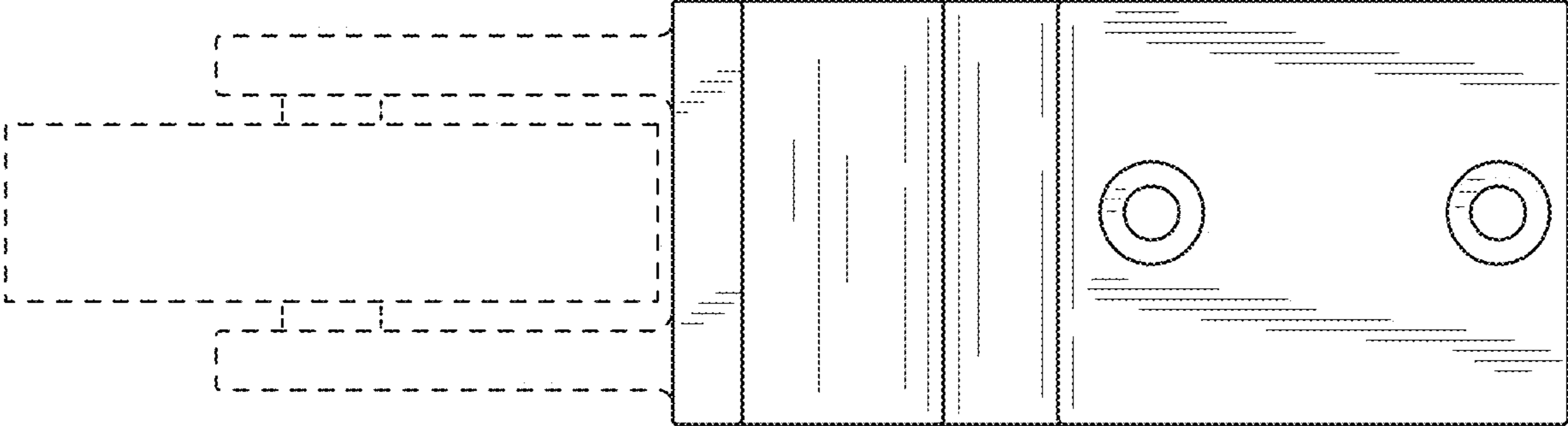
**FIG. 4**



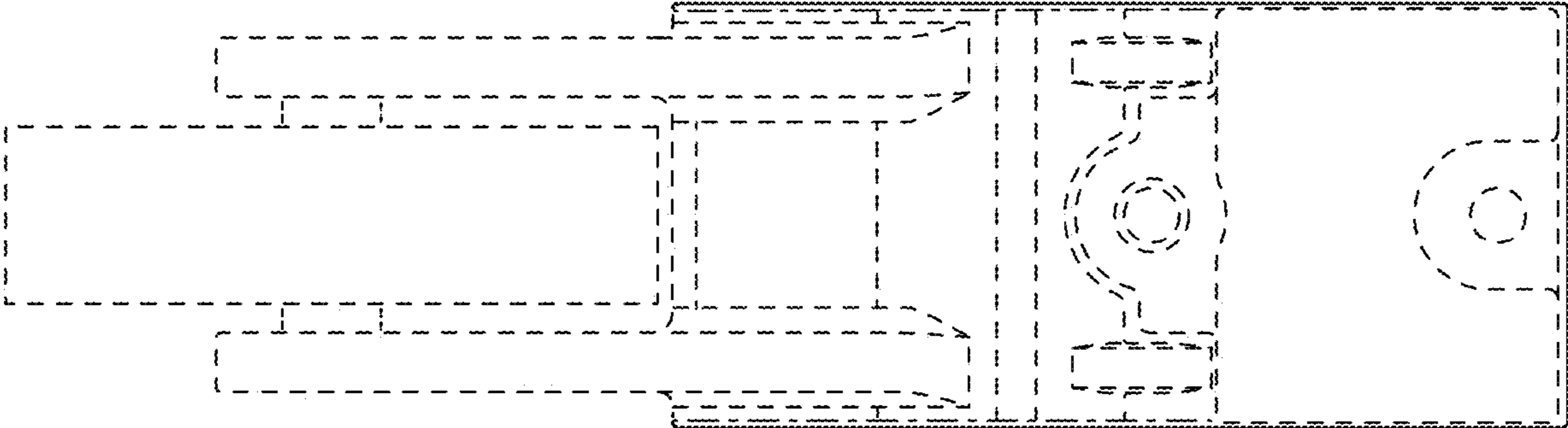
**FIG. 5**



**FIG. 6**



**FIG. 7**



**FIG. 8**