



US00D953153S

(12) **United States Design Patent**
House

(10) **Patent No.:** **US D953,153 S**

(45) **Date of Patent:** **** May 31, 2022**

(54) **GAME HANGING DEVICE**

(71) Applicant: **Terry L. House**, Magnolia, TX (US)

(72) Inventor: **Terry L. House**, Magnolia, TX (US)

(**) Term: **15 Years**

(21) Appl. No.: **29/751,772**

(22) Filed: **Sep. 23, 2020**

(51) **LOC (13) Cl.** **08-05**

(52) **U.S. Cl.**
USPC **D8/373**

(58) **Field of Classification Search**
USPC D8/370–373, 367, 365, 349, 323, 387,
D8/382, 356; D11/202, 206–207, 212,
D11/231; D22/199, 125–126, 129;
D6/323
CPC A47F 5/0823; A47F 5/0853; A47F 5/0869;
A47F 5/0876; A47F 5/0006; A47F
5/0068; A47F 5/0807; A47F 2005/0012;
A47F 5/00; A47F 5/02; A47F 5/0815;
A47F 5/0846; A47F 5/0884; A47F
7/0064; A47F 7/02; A47F 7/148; A47H
13/04; A47H 1/03; A47H 1/14; A47H
1/06; A47H 1/08; A47H 1/122; A47H
13/00; A47H 13/01; A47H 13/02; A47H
13/06; A47H 15/02; A47H 2001/0205;
A47H 2001/042; A47H 2001/045
See application file for complete search history.

6,062,974 A * 5/2000 Williams A22B 5/06
452/187

6,264,544 B1 7/2001 Mullins

6,994,618 B1 2/2006 Syers

7,674,160 B1 * 3/2010 Wheeler A22B 7/002
452/102

D654,746 S * 2/2012 Watson D6/572

D707,539 S * 6/2014 Goodman D8/372

D707,540 S * 6/2014 Goodman D8/372

D707,541 S * 6/2014 Goodman D8/372

D707,542 S * 6/2014 Goodman D8/372

8,915,774 B1 * 12/2014 Hunter A22B 5/06
452/187

D787,922 S * 5/2017 Ghiorghie D8/372

9,999,232 B1 * 6/2018 Poland A22B 5/06

D852,028 S * 6/2019 Kirby D8/372

2002/0168258 A1 * 11/2002 Philipps B60P 1/5471
212/180

2007/0092362 A1 * 4/2007 Holt B60P 1/5471
452/187

(Continued)

Primary Examiner — Susan Bennett Hattan
Assistant Examiner — Elizabeth S Ko
(74) *Attorney, Agent, or Firm* — Cramer Patent & Design,
PLLC; Aaron R. Cramer

(57) **CLAIM**

The ornamental design for a game hanging device, as shown and described.

DESCRIPTION

FIG. 1 is a perspective top front right view of a game hanging device, showing my new design;
FIG. 2 is a perspective top rear left view thereof;
FIG. 3 is a front elevation view thereof;
FIG. 4 is a rear elevation view thereof;
FIG. 5 is a right elevation view thereof;
FIG. 6 is a left elevation plan view thereof;
FIG. 7 is a top plan view thereof; and,
FIG. 8 is a bottom plan view thereof.

1 Claim, 5 Drawing Sheets

(56) **References Cited**

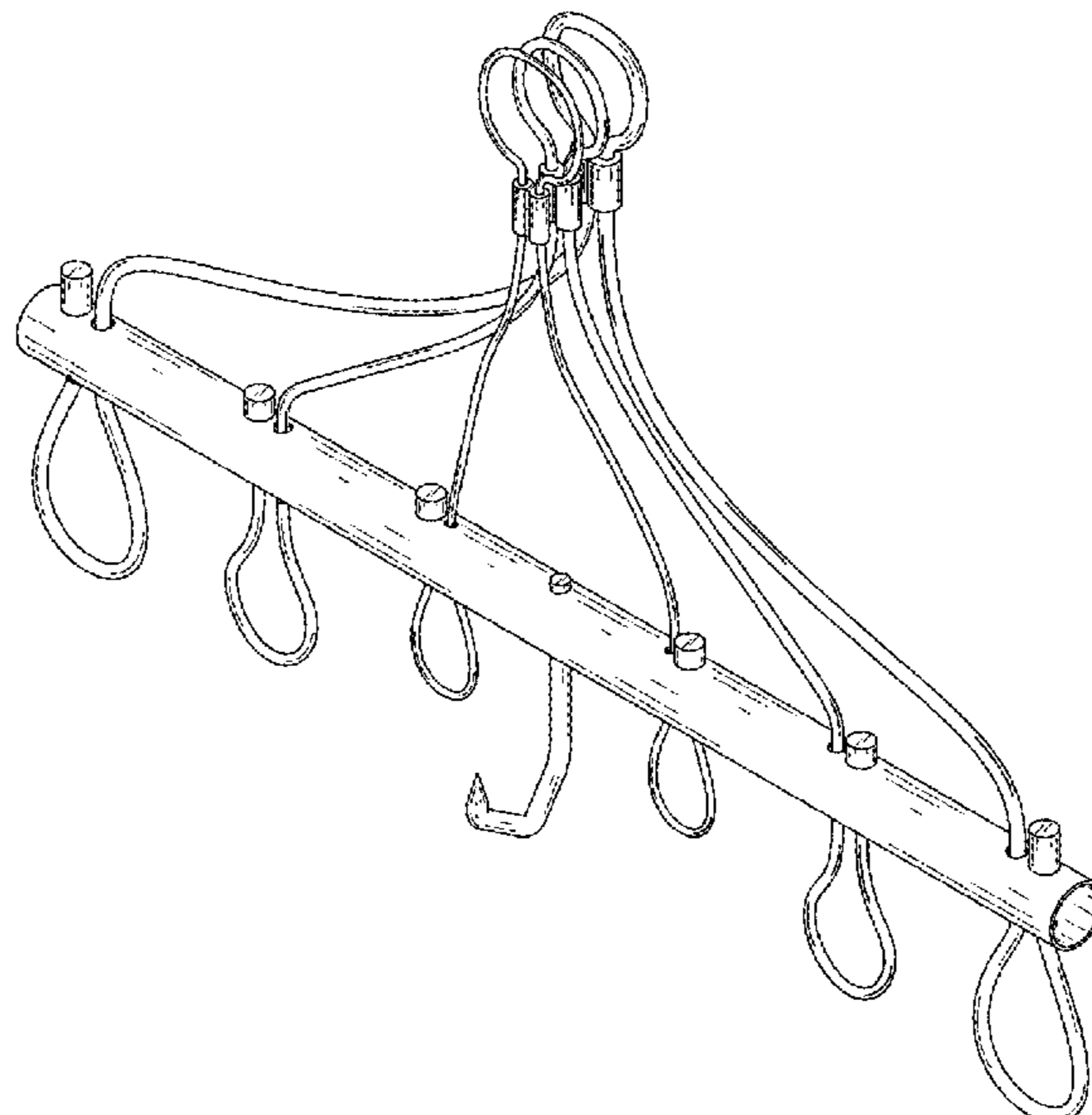
U.S. PATENT DOCUMENTS

4,763,942 A * 8/1988 Lyon A22B 5/06
294/81.5

D344,673 S * 3/1994 Effron D8/373

D387,233 S * 12/1997 Effron D6/566

5,938,521 A * 8/1999 Jasek A22B 5/06
452/192



(56)

References Cited

U.S. PATENT DOCUMENTS

2008/0085669	A1 *	4/2008	Burrows	A22B 5/06 452/187
2011/0053482	A1 *	3/2011	McKenzie	A22B 5/06 452/187

* cited by examiner

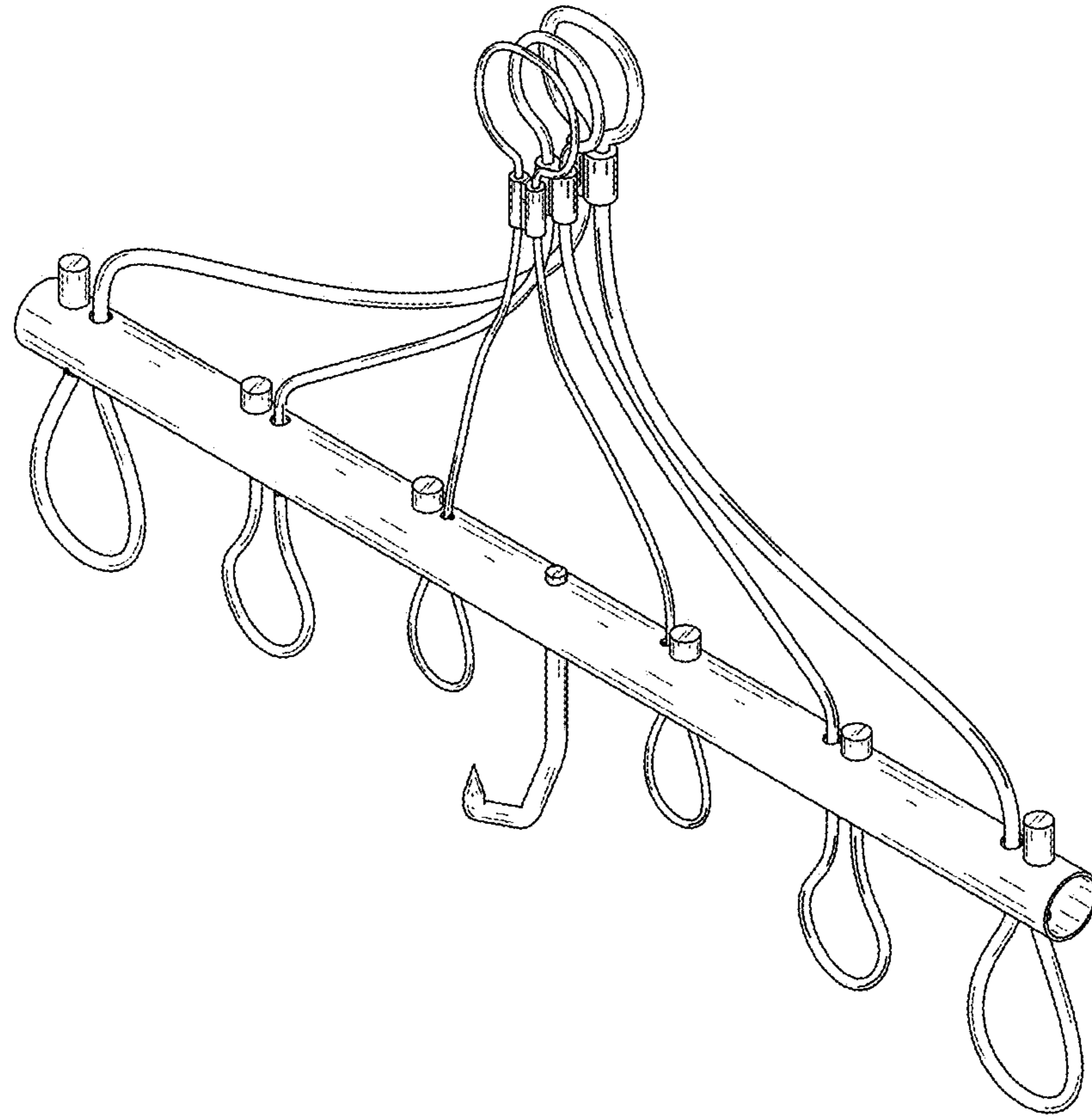


FIG. 1

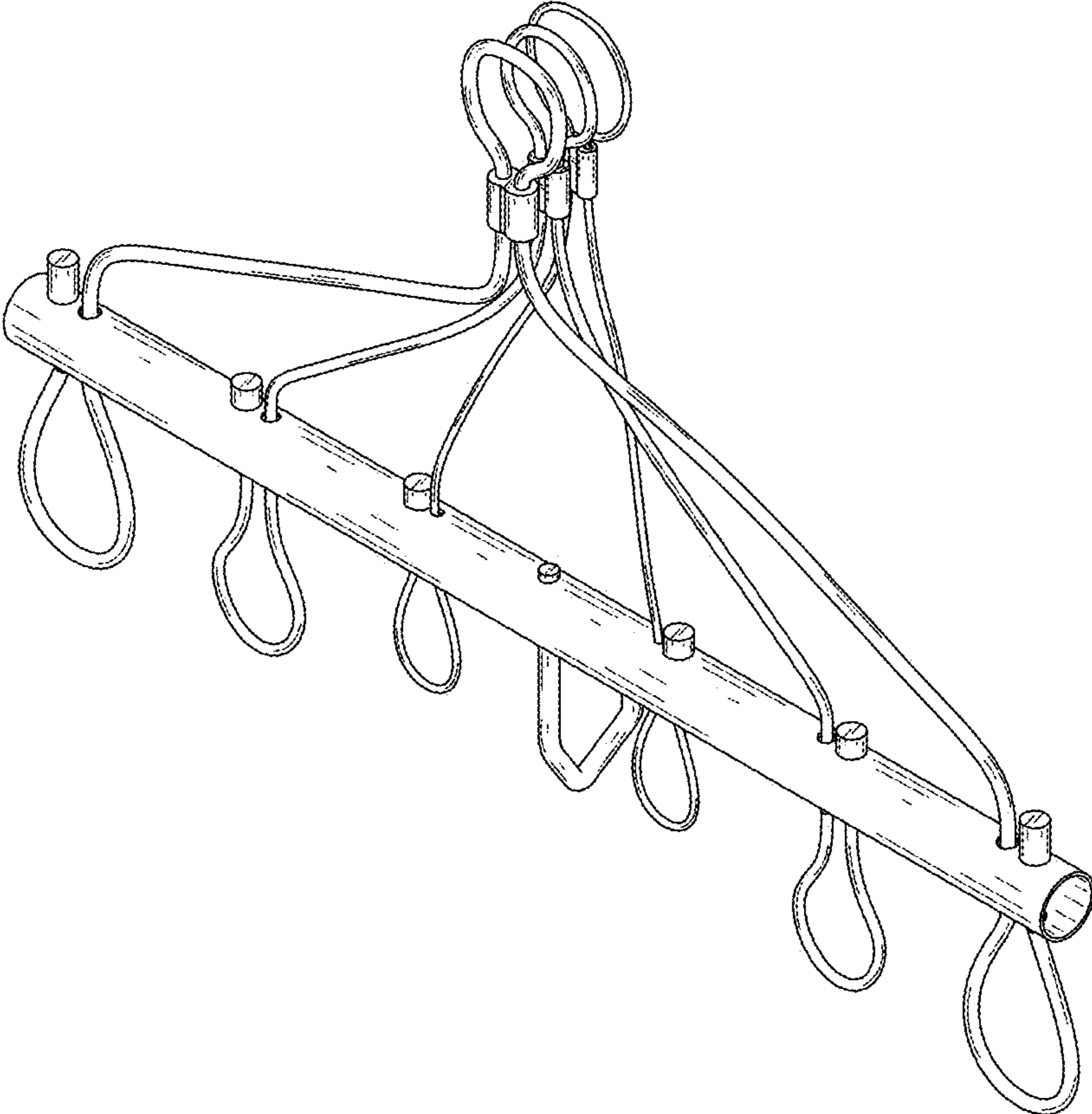


FIG. 2

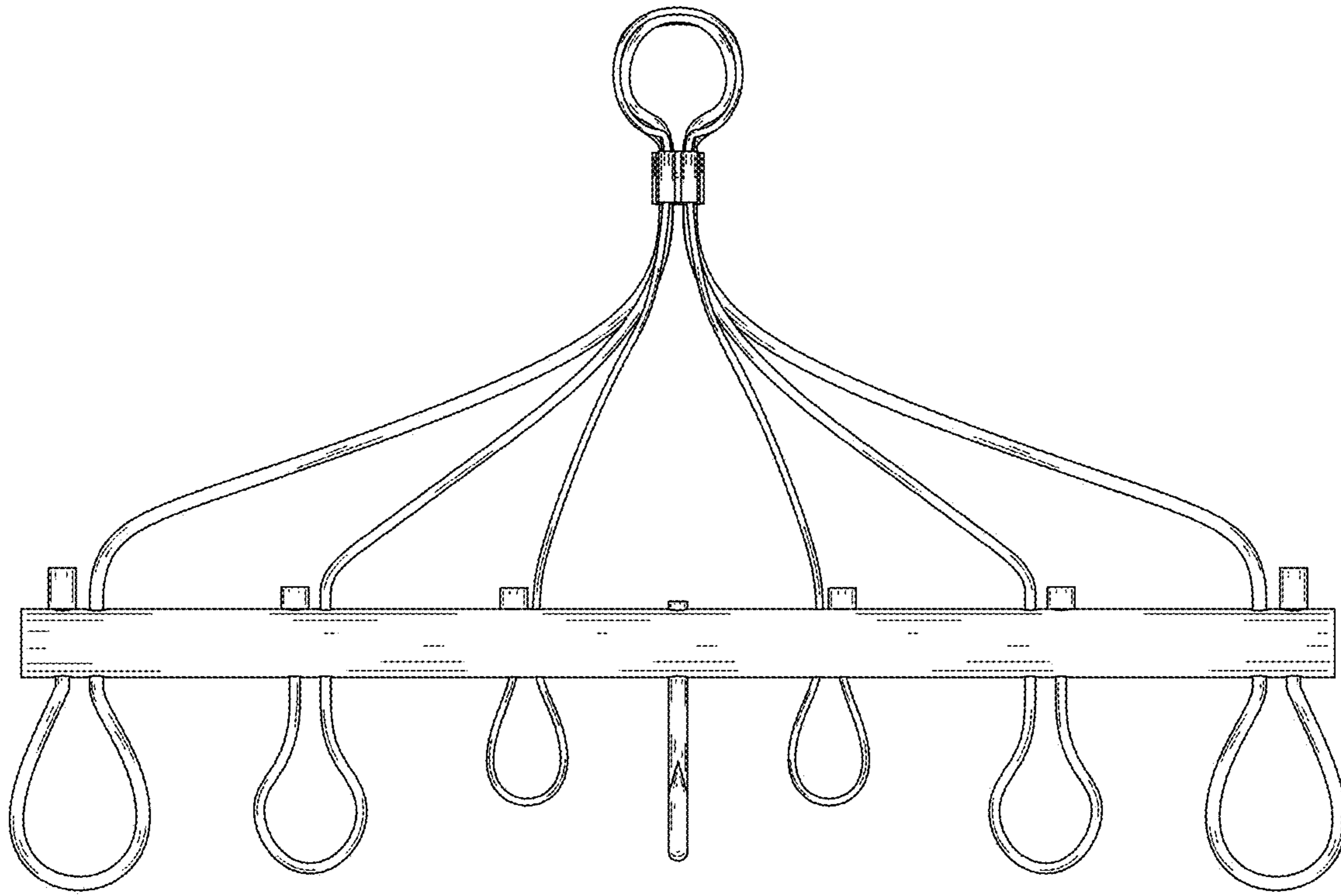


FIG. 3

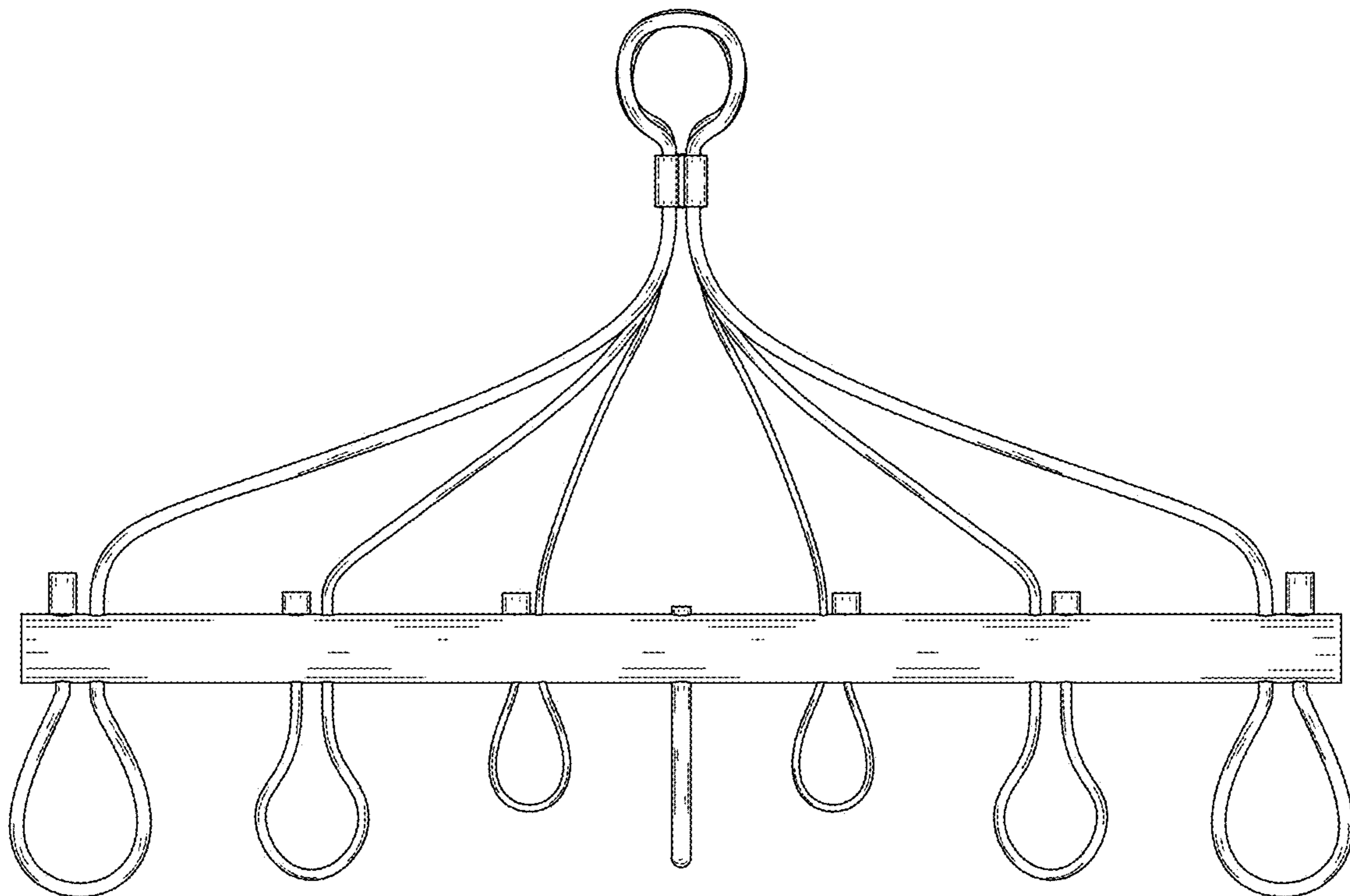


FIG. 4

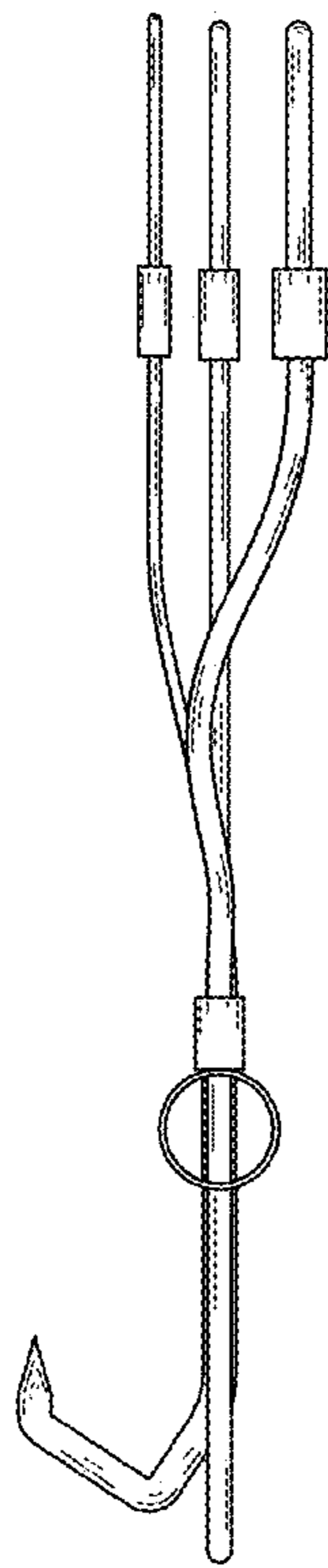


FIG. 5

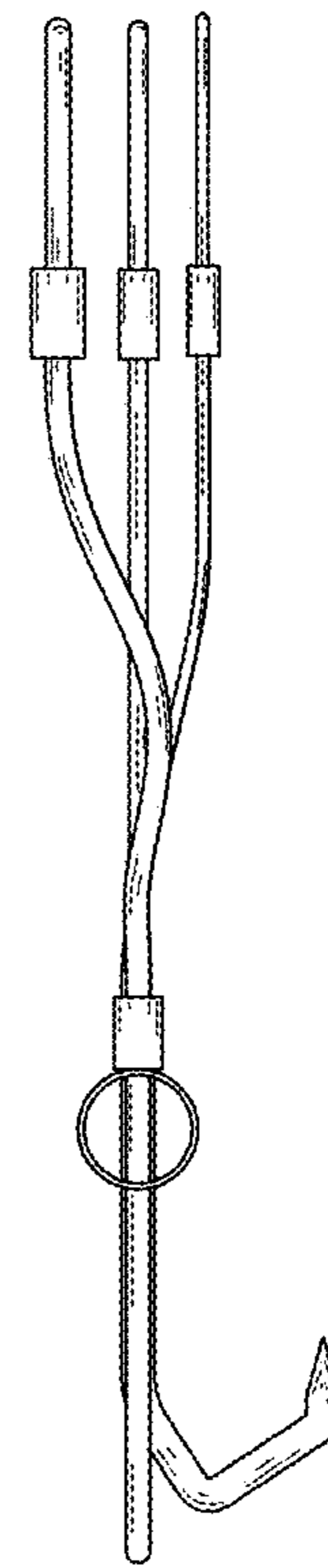


FIG. 6

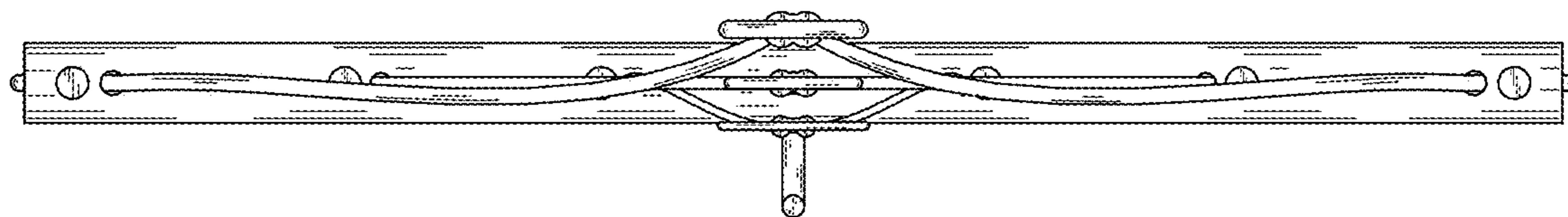


FIG. 7

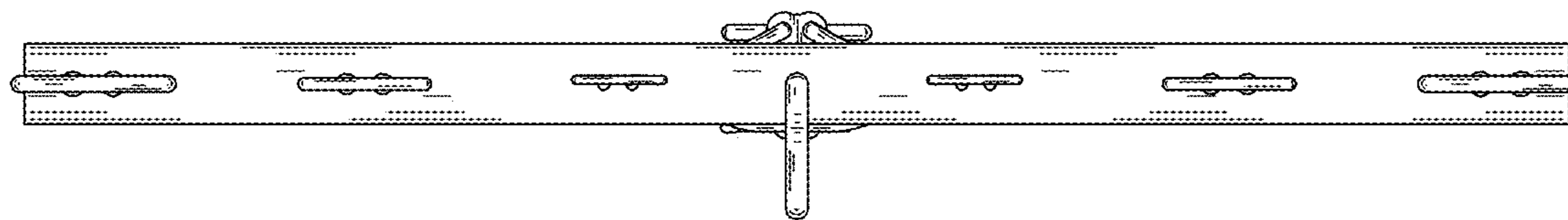


FIG. 8