



US00D953152S

(12) **United States Design Patent** (10) **Patent No.:** **US D953,152 S**
Mann et al. (45) **Date of Patent:** **** May 31, 2022**

(54) **WIPES DISPENSING CANISTER BASE MOUNTING BRACKET**

(71) Applicant: **GOJO Industries, Inc.**, Akron, OH (US)

(72) Inventors: **Christopher J. Mann**, Hudson, OH (US); **Mark E. Rosenkranz**, Akron, OH (US); **Richard E. Corney**, Akron, OH (US); **Matthew Hern**, Malibu, CA (US)

(73) Assignee: **GOJO Industries, Inc.**, Akron, OH (US)

(**) Term: **15 Years**

(21) Appl. No.: **29/712,861**

(22) Filed: **Nov. 12, 2019**

(51) **LOC (13) Cl.** **08-05**

(52) **U.S. Cl.**
USPC **D8/373**

(58) **Field of Classification Search**
USPC D8/363, 350, 352, 354, 384, 396;
D32/54, 53; D29/130; D7/624.1;
D9/739
CPC F16B 47/00; A47K 2010/326; A47K
2010/3233; A47K 10/3818; A47K 10/04;
A47K 10/10; A47K 10/32; A47K 10/3836
See application file for complete search history.

(56) **References Cited**

U.S. PATENT DOCUMENTS

D256,859	S	*	9/1980	Hauser	D6/545
D300,891	S	*	5/1989	Roland	D6/512
4,846,429	A		7/1989	Scheurer et al.		
D303,566	S	*	9/1989	Kohler, Jr.	D23/249
D318,607	S	*	7/1991	Reid	D8/363
D319,575	S	*	9/1991	Young	D8/395
5,087,005	A		2/1992	Holoff et al.		
5,180,132	A		1/1993	Pearson et al.		

(Continued)

OTHER PUBLICATIONS

Amazon.com | CraftsOfEgypt White—Marble Wine Bottle Coaster—Coaster. (Jan. 26, 2016). Accessed: Oct. 4, 2021. URL: <https://www.amazon.com/Coaster-Elegant-Absorbent-Occasion-CraftOfEgypt/dp/B00V2R0RG2> (Year: 2016).*

Primary Examiner — Rachel A. Voorhies
Assistant Examiner — Benjamin D. Wannemacher
(74) *Attorney, Agent, or Firm* — Calfee, Halter & Griswold LLP

(57) **CLAIM**

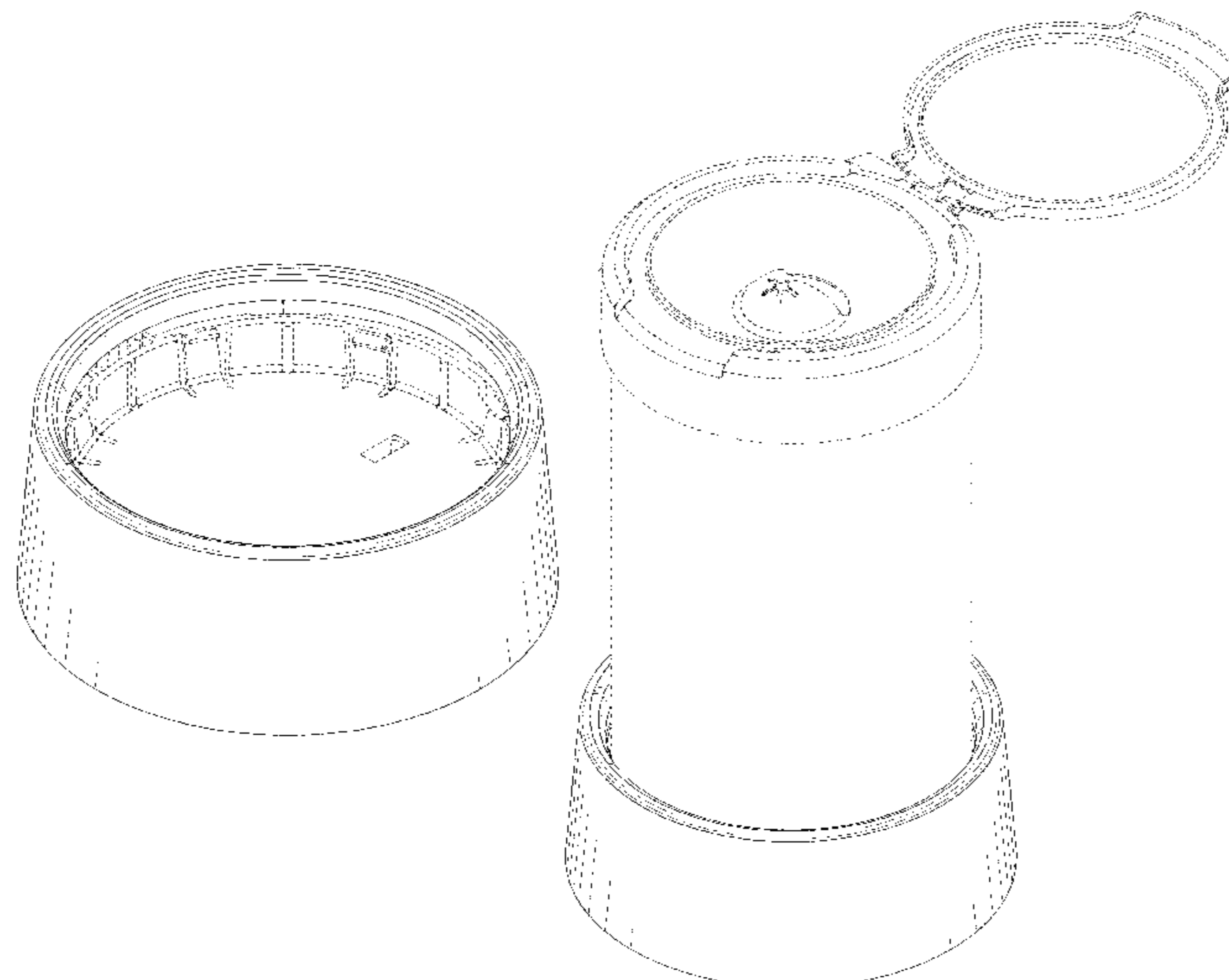
The ornamental design for a wipes dispensing canister base mounting bracket, as shown and described.

DESCRIPTION

FIG. 1 is a perspective view of a wipes dispensing canister base mounting bracket of the new design; FIG. 2 is a top plan view of the wipes dispensing canister base mounting bracket of the new design; FIG. 3 is a front elevational view of the wipes dispensing canister base mounting bracket of FIG. 1; FIG. 4 is a bottom view of the wipes dispensing canister base mounting bracket of FIG. 1; FIG. 5 is a rear elevational view of the wipes dispensing canister base mounting bracket of FIG. 1; FIG. 6 is a right side elevational view of the wipes dispensing canister base mounting bracket of FIG. 1; FIG. 7 is a left side elevational view of the wipes dispensing canister base mounting bracket of FIG. 1; and, FIG. 8 is a perspective view of the wipes dispensing canister base mounting bracket of FIG. 1 with a wipes dispensing canister.

The broken lines shown in the Figures represent environment and portions of the wipes dispensing canister wall mounting bracket that form no part of the claimed design.

1 Claim, 5 Drawing Sheets



(56)

References Cited

U.S. PATENT DOCUMENTS

D415,951 S *	11/1999	Kraine	D8/354	D712,099 S *	8/2014	Pelletier	D29/130
D422,204 S *	4/2000	Holloway	D8/356	D718,953 S *	12/2014	Masino	D6/518
D444,978 S *	7/2001	Kauzlarich	D6/545	8,998,158 B2 *	4/2015	St. Jacques	A47J 36/34
6,386,494 B1	5/2002	Huang							248/346.5
6,422,402 B1	7/2002	Hollinger			D760,549 S *	7/2016	Haytayan	D7/624.1
6,596,374 B1	7/2003	Adjeleian			D760,550 S *	7/2016	Haytayan	D7/624.1
7,124,987 B2	10/2006	Zschiedrich			D782,882 S *	4/2017	Haytayan	D7/624.1
7,264,197 B2	9/2007	Yu			D823,647 S *	7/2018	Curl, Jr.	D7/624.1
D552,453 S *	10/2007	Cronk	D8/354	10,098,815 B2 *	10/2018	Zerebny	F16B 47/00
7,338,020 B2	3/2008	Magid			10,165,906 B1 *	1/2019	Beychok	A61L 9/013
7,607,622 B2	10/2009	Carnevali			10,342,396 B2 *	7/2019	Sellars	A47K 10/3818
7,708,245 B2	5/2010	Woo							D7/624.1
7,850,133 B2	12/2010	Carnevali			D910,259 S *	2/2021	Stack	D7/624.1
7,861,647 B2	1/2011	So et al.			D921,373 S *	6/2021	Fearing	D6/309
7,975,971 B2	7/2011	Carnevali			2003/0116582 A1 *	6/2003	Tosdale	A47K 10/3818
8,028,850 B2	10/2011	Zimmerman							221/70
8,033,517 B2	10/2011	Wilcoxon			2011/0192862 A1	8/2011	Knudsen		
8,235,336 B2	8/2012	Lin et al.			2016/0000275 A1 *	1/2016	Sellars	A47K 10/38
8,302,920 B2	11/2012	Tsai							242/595
8,505,861 B2	8/2013	Carnevali			2017/0245699 A1	8/2017	Keily et al.		
8,757,418 B2	6/2014	Zimmerman et al.			2017/0354299 A1	12/2017	Scholer		
8,757,426 B1	6/2014	Serrano			2020/0375414 A1 *	12/2020	Albrecht	A47K 10/3818
8,757,572 B1	6/2014	Starr et al.							D6/309
					2021/0137322 A1 *	5/2021	Mann	B65D 83/0805
									D7/624.1

* cited by examiner

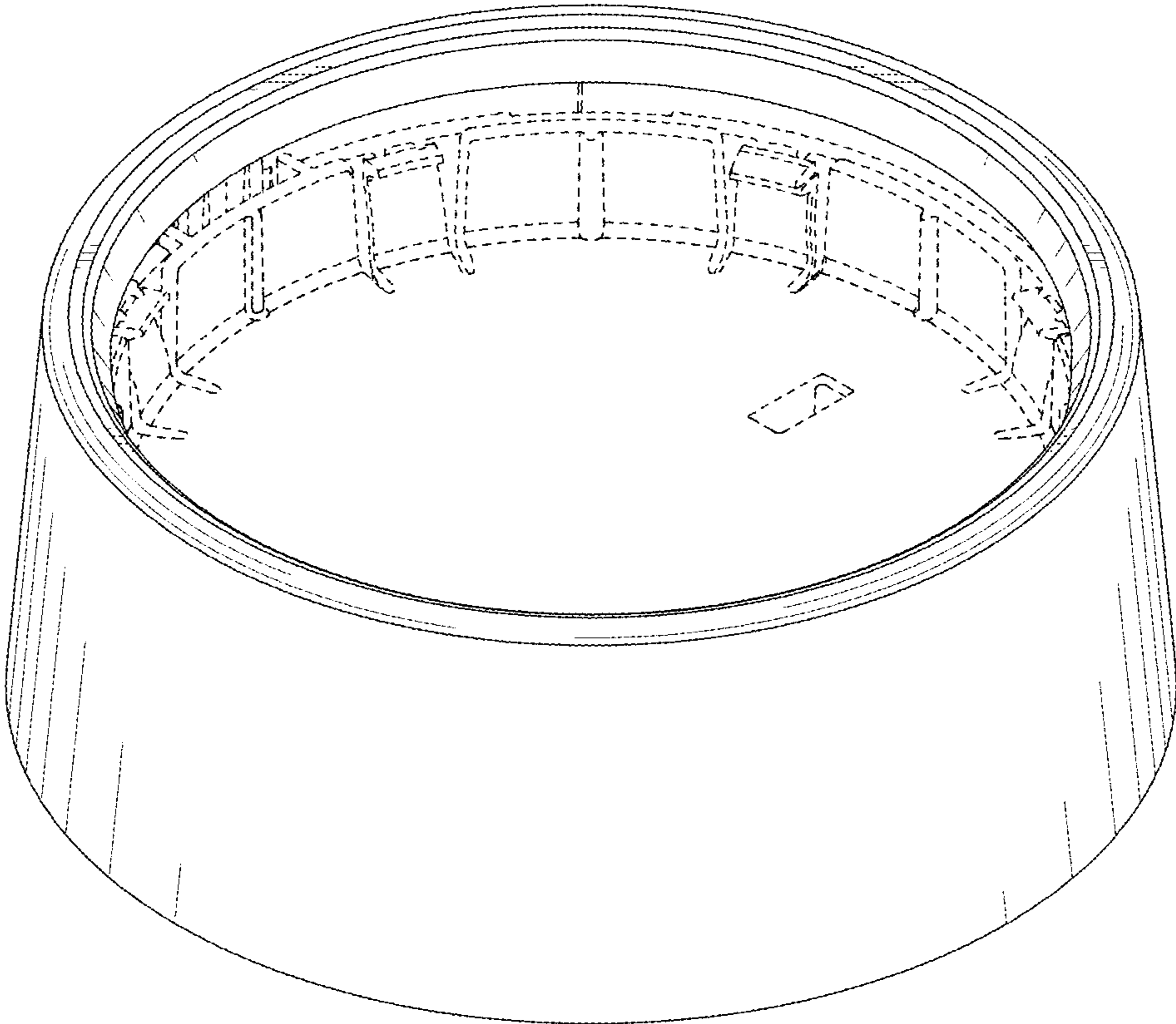


FIG. 1

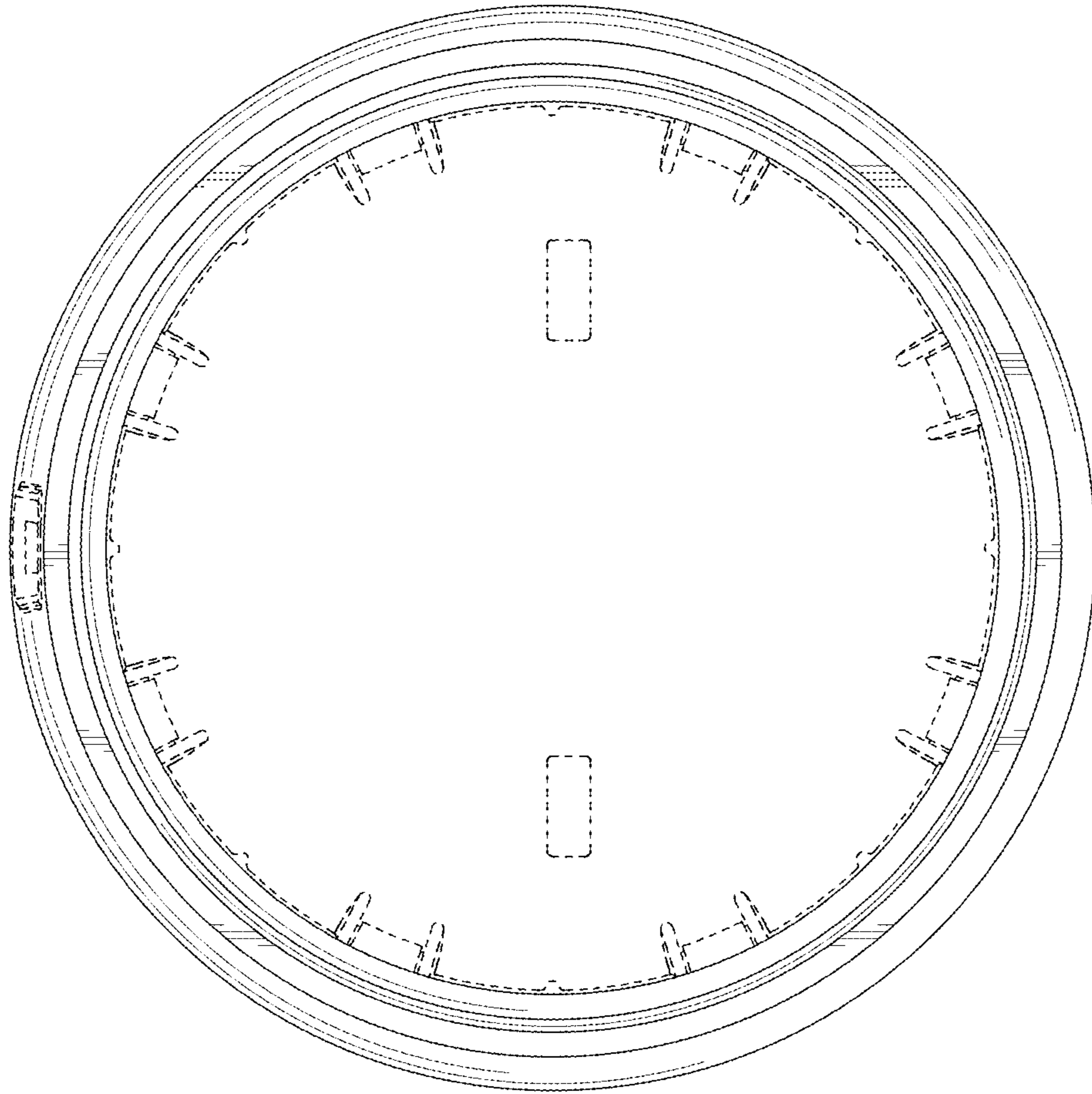


FIG. 2

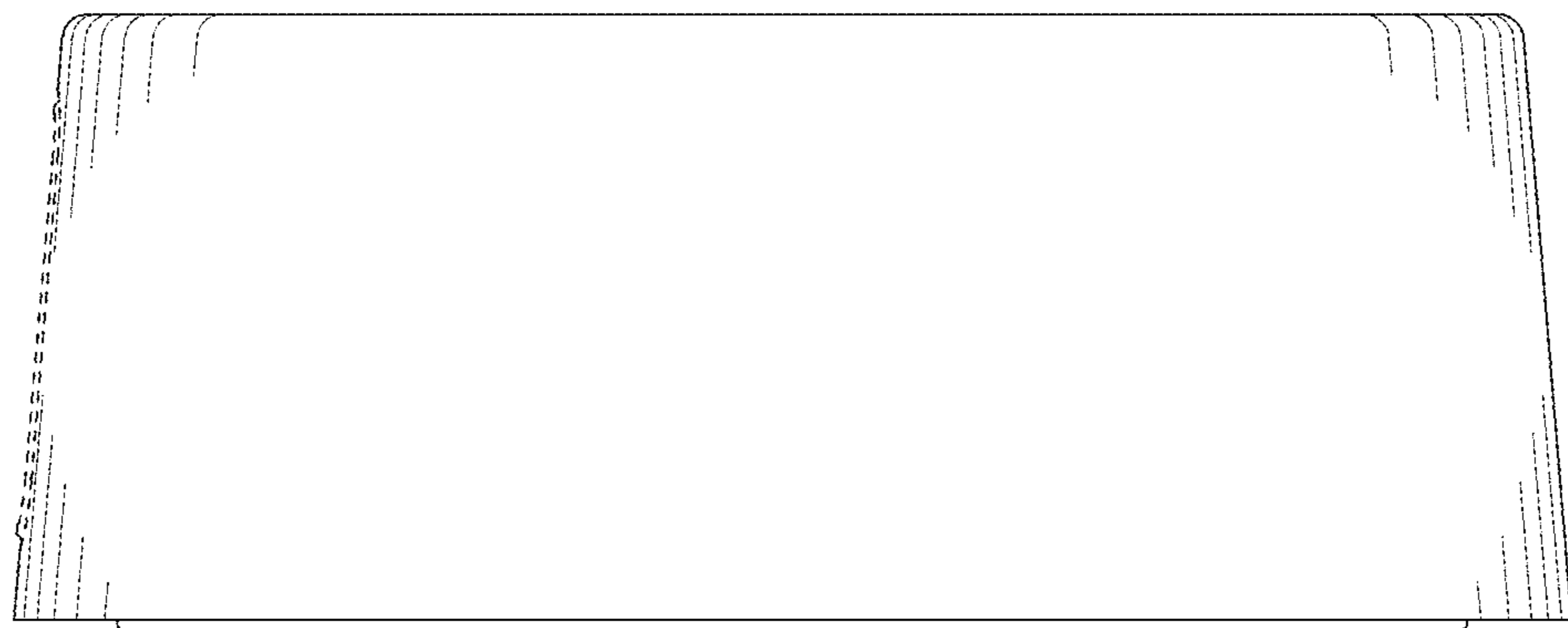


FIG. 3

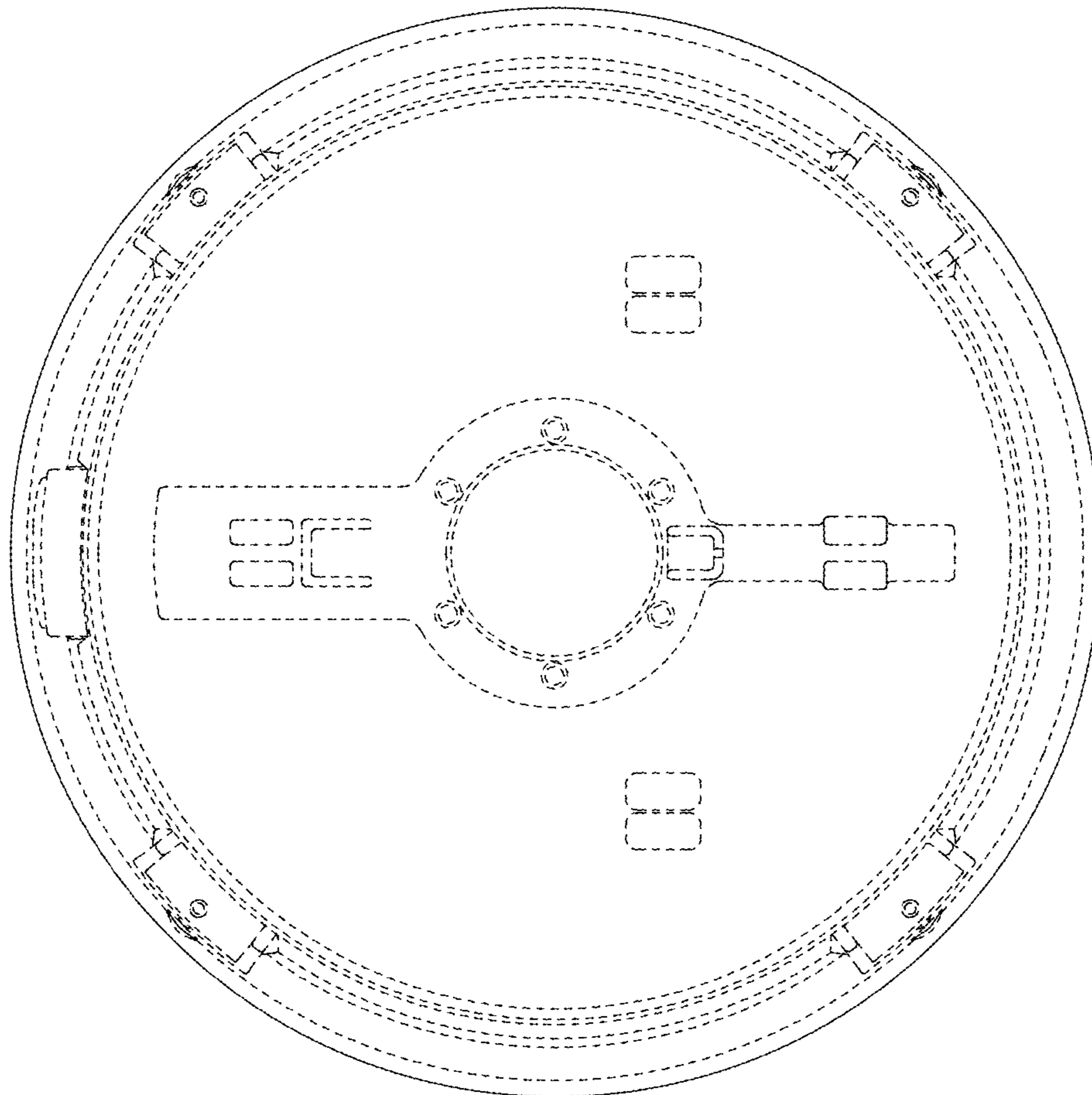


FIG. 4

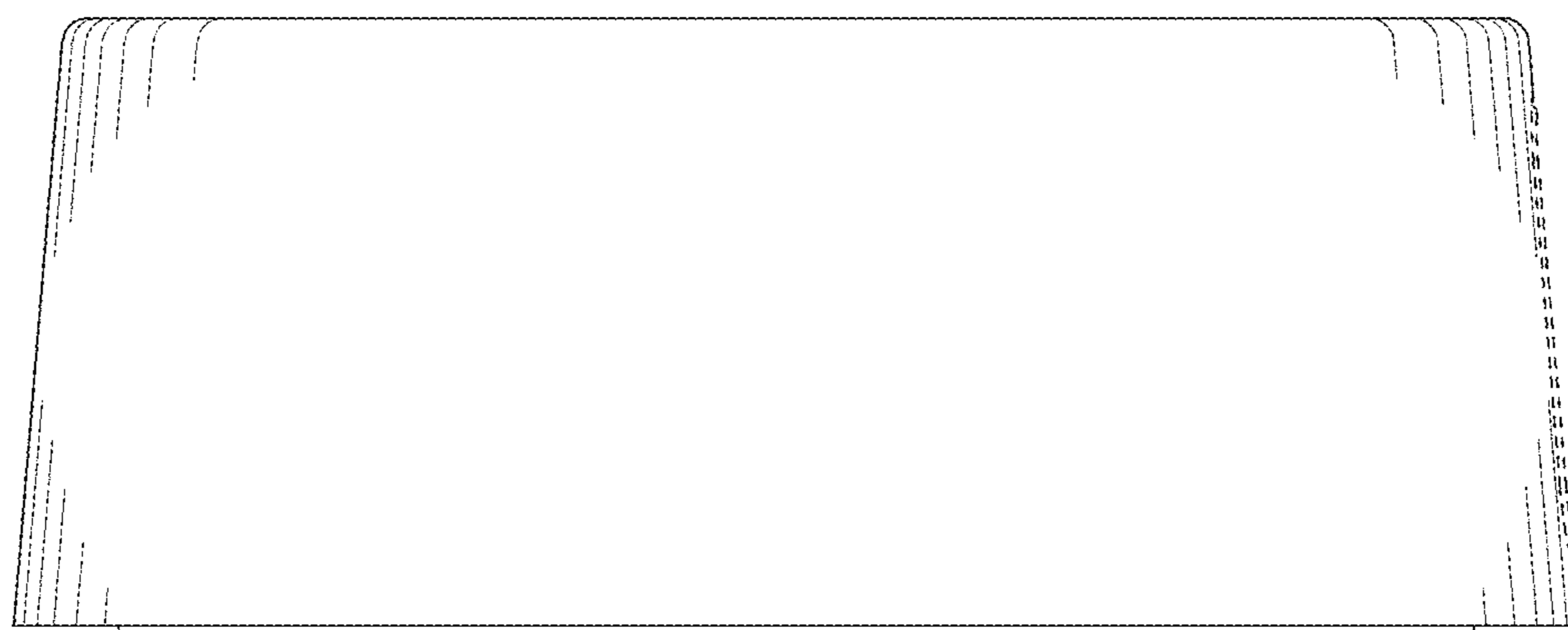


FIG. 5

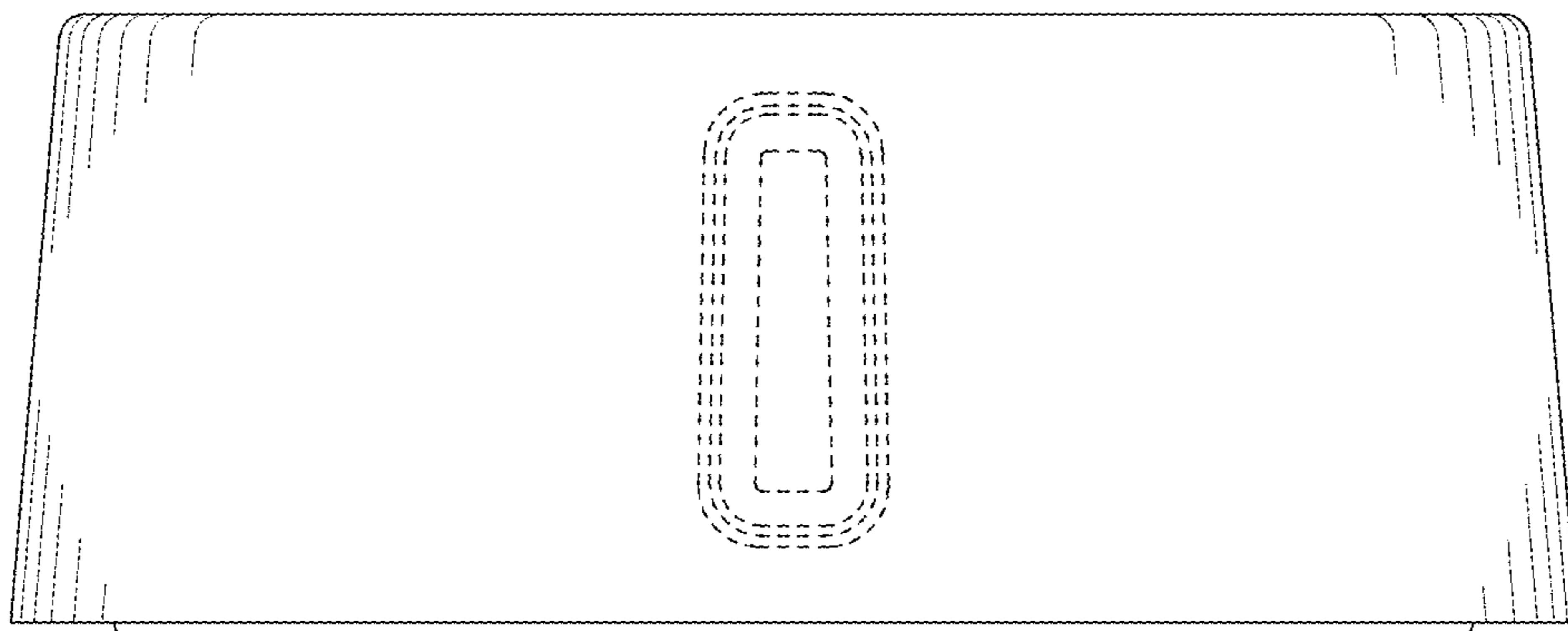


FIG. 6

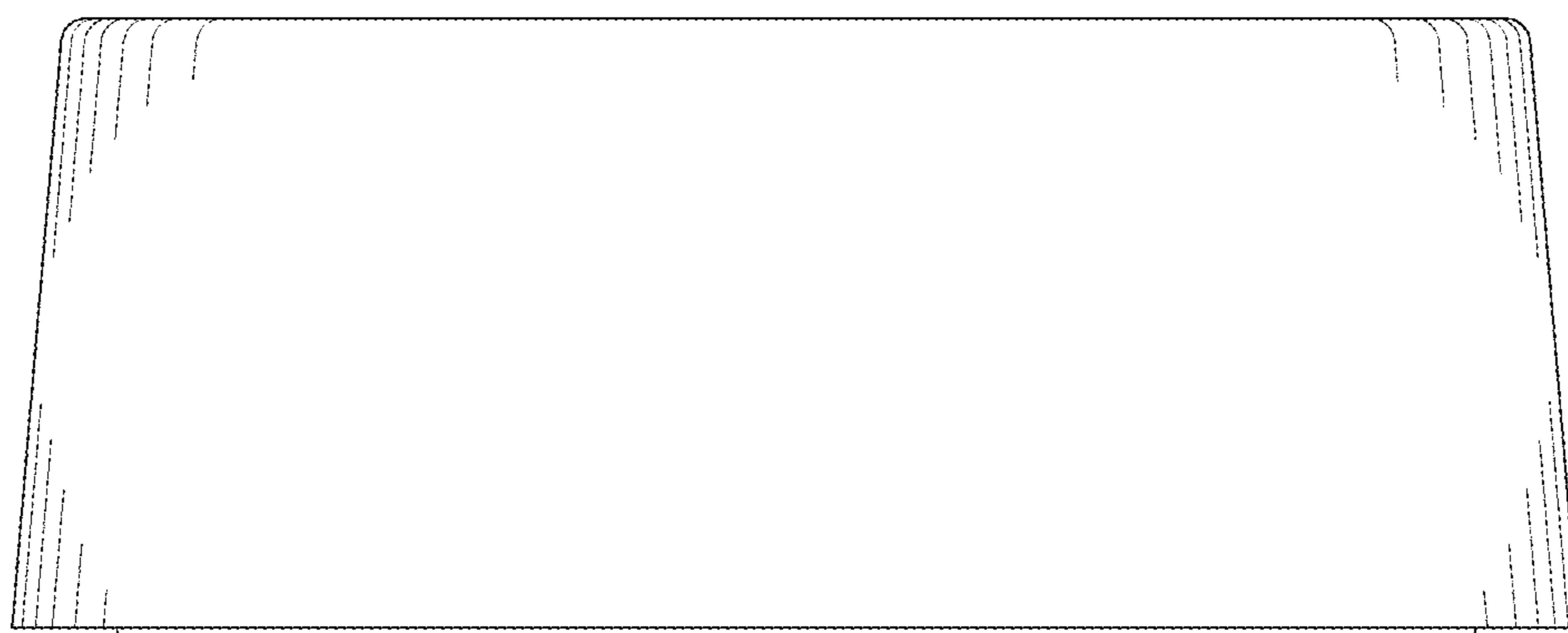


FIG. 7

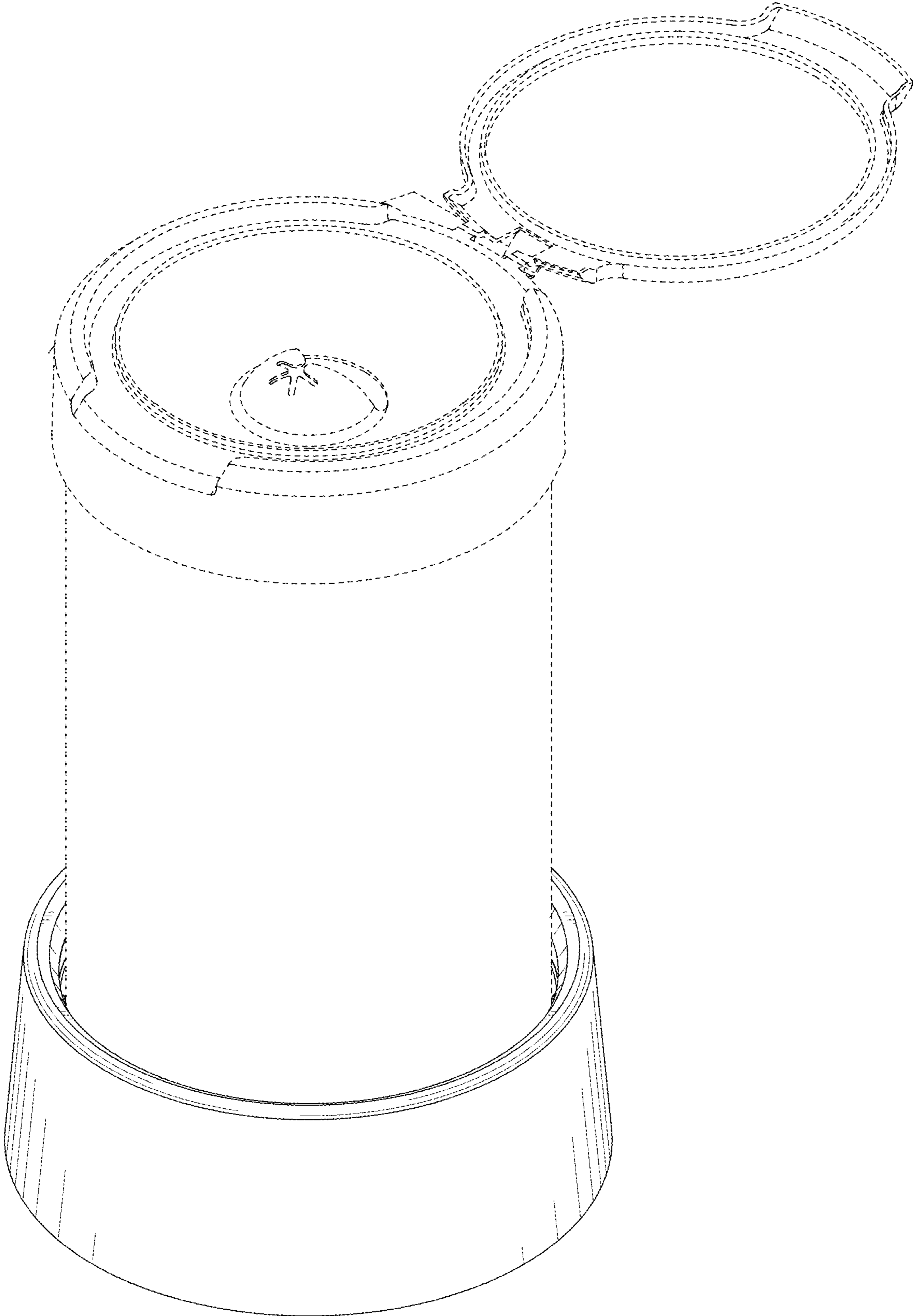


FIG. 8