



US00D953151S

(12) **United States Design Patent** (10) **Patent No.:** **US D953,151 S**
Mann et al. (45) **Date of Patent:** **** May 31, 2022**

(54) **WIPES DISPENSING CANISTER WALL MOUNTING BRACKET**

(71) Applicant: **GOJO Industries, Inc.**, Akron, OH (US)

(72) Inventors: **Christopher J. Mann**, Hudson, OH (US); **Mark E. Rosenkranz**, Akron, OH (US); **Richard E. Corney**, Akron, OH (US); **Matthew Hern**, Malibu, CA (US)

(73) Assignee: **GOJO Industries, Inc.**, Akron, OH (US)

(**) Term: **15 Years**

(21) Appl. No.: **29/712,855**

(22) Filed: **Nov. 12, 2019**

(51) **LOC (13) Cl.** **08-05**

(52) **U.S. Cl.**
USPC **D8/373**

(58) **Field of Classification Search**
USPC D8/363, 350, 352, 354, 384, 396;
D32/54, 53; D29/130
CPC F16B 47/00; A47K 2010/326; A47K
2010/3233; A47K 10/3818; A47K 10/04;
A47K 10/10; A47K 10/32; A47K 10/3836
See application file for complete search history.

(56) **References Cited**

U.S. PATENT DOCUMENTS

D256,859 S *	9/1980	Hauser	D6/545
D300,891 S *	5/1989	Roland	D6/512
D303,566 S *	9/1989	Kohler, Jr.	D23/249
D318,607 S *	7/1991	Reid	D8/363
D319,575 S *	9/1991	Young	D8/395
D415,951 S *	11/1999	Kraime	D8/354
D422,204 S *	4/2000	Holloway	D8/356
D444,978 S *	7/2001	Kauzlarich	D6/545
D552,453 S *	10/2007	Cronk	D8/354

(Continued)

OTHER PUBLICATIONS

Amazon.com, CraftsOfEgypt White—Marble Wine Bottle Coaster—Coaster. (Jan. 26, 2016). Accessed: Oct. 4, 2021. URL: <https://www.amazon.com/Coaster-Elegant-Absorbent-Occasion-CraftOfEgypt/dp/BOOV2 RORG2> (Year: 2016).

Primary Examiner — Rachel A. Voorhies
Assistant Examiner — Benjamin D. Wannemacher
(74) *Attorney, Agent, or Firm* — Calfee, Halter & Griswold LLP

(57) **CLAIM**

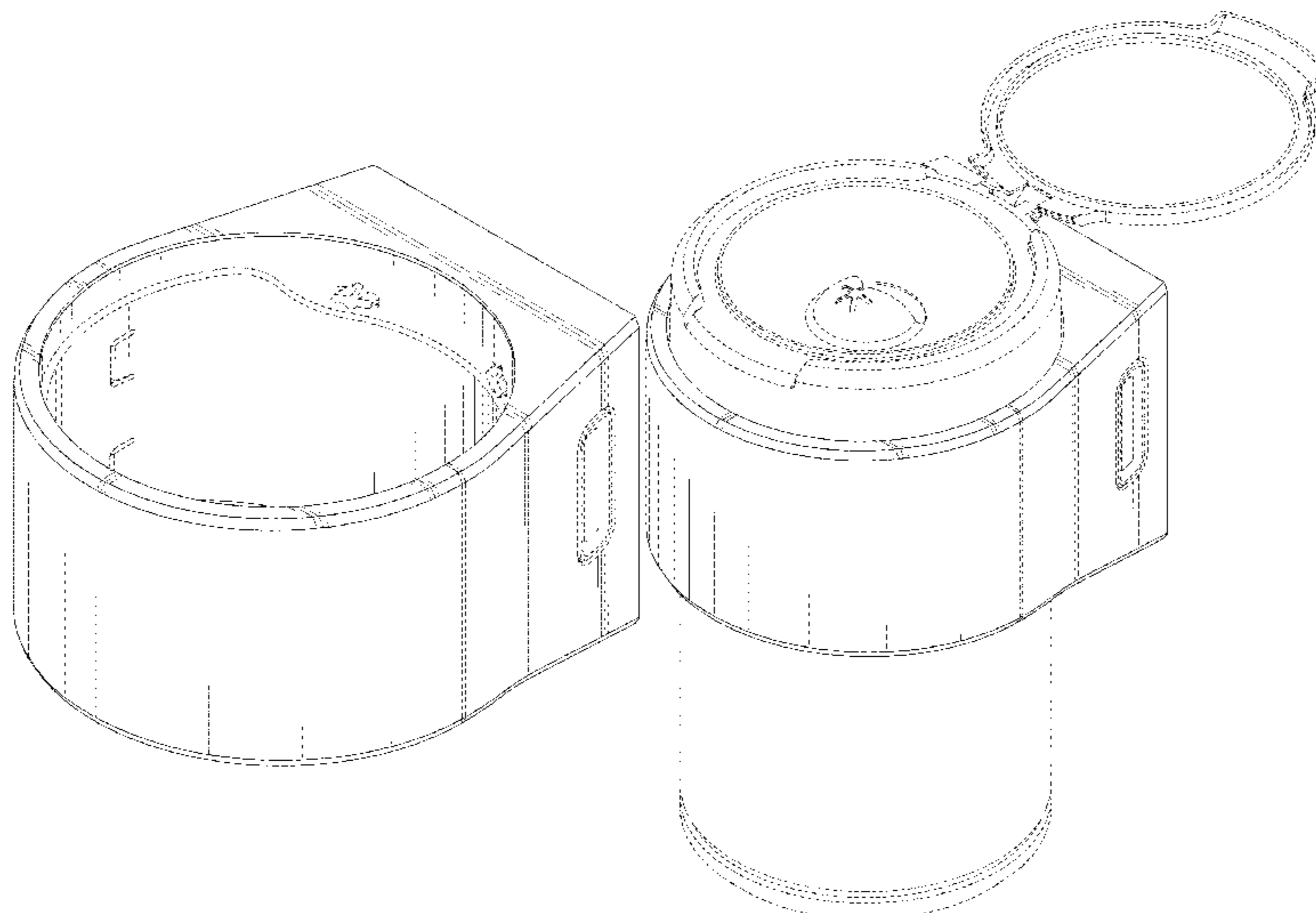
The ornamental design for a wipes dispensing canister wall mounting bracket, as shown and described.

DESCRIPTION

FIG. 1 is a perspective view of a wipes dispensing canister wall mounting bracket of the new design; FIG. 2 is a top plan view of the wipes dispensing canister wall mounting bracket of the new design; FIG. 3 is a front elevational view of the wipes dispensing canister wall mounting bracket of FIG. 1; FIG. 4 is a bottom view of the wipes dispensing canister wall mounting bracket of FIG. 1; FIG. 5 is a rear elevational view of the wipes dispensing canister wall mounting bracket of FIG. 1; FIG. 6 is a left side elevational view of the wipes dispensing canister wall mounting bracket of FIG. 1; FIG. 7 is a right side elevational view of the wipes dispensing canister wall mounting bracket of FIG. 1; and, FIG. 8 is a perspective view of the wipes dispensing canister wall mounting bracket of FIG. 1 with a wipes dispensing canister.

The broken lines shown in the Figures represent environment and portions of the wipes dispensing canister wall mounting bracket that form no part of the claimed design.

1 Claim, 5 Drawing Sheets



(56)

References Cited

U.S. PATENT DOCUMENTS

D712,099	S *	8/2014	Pelletier	D29/130
D718,953	S *	12/2014	Masino	D6/518
8,998,158	B2 *	4/2015	St. Jacques	A47J 36/34 248/346.5
D760,549	S	7/2016	Haytayan et al.	
D760,550	S	7/2016	Haytayan et al.	
D782,882	S	4/2017	Haytayan et al.	
D823,647	S	7/2018	Curl, Jr.	
10,098,815	B2 *	10/2018	Zerebny	F16B 47/00
10,165,906	B1 *	1/2019	Beychok	A61L 9/013
10,342,396	B2 *	7/2019	Sellars	A47K 10/3818
D910,259	S *	2/2021	Stack	D32/54
D921,373	S	6/2021	Fearing	
2003/0116582	A1 *	6/2003	Tosdale	A47K 10/3818 221/70
2011/0192862	A1	8/2011	Knudsen	
2016/0000275	A1 *	1/2016	Sellars	A47K 10/38 242/595
2017/0245699	A1	8/2017	Keily et al.	
2017/0354299	A1	12/2017	Scholer	
2020/0375414	A1 *	12/2020	Albrecht	A47K 10/3818
2021/0137322	A1 *	5/2021	Mann	B65D 83/0805

* cited by examiner

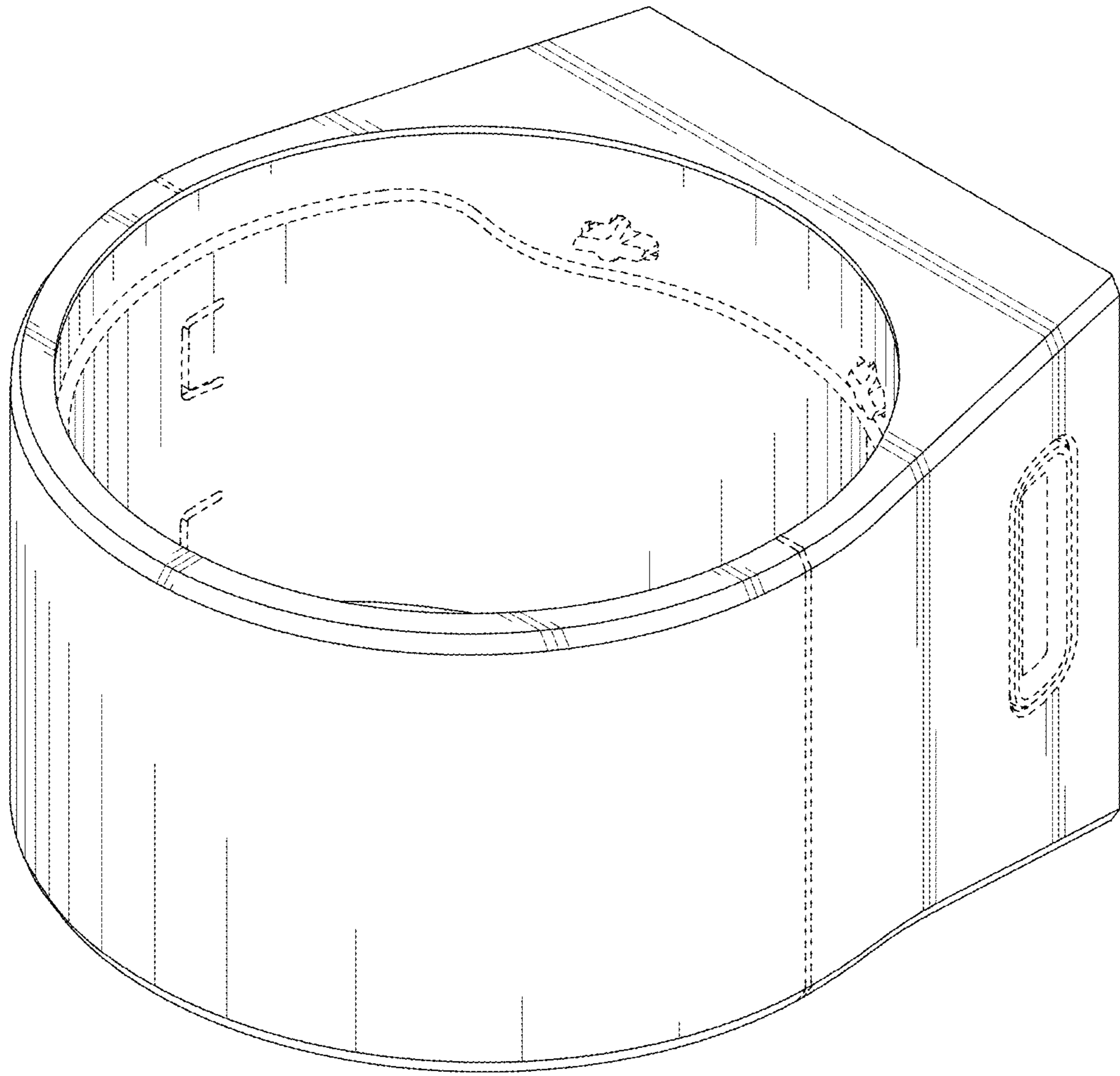


FIG. 1

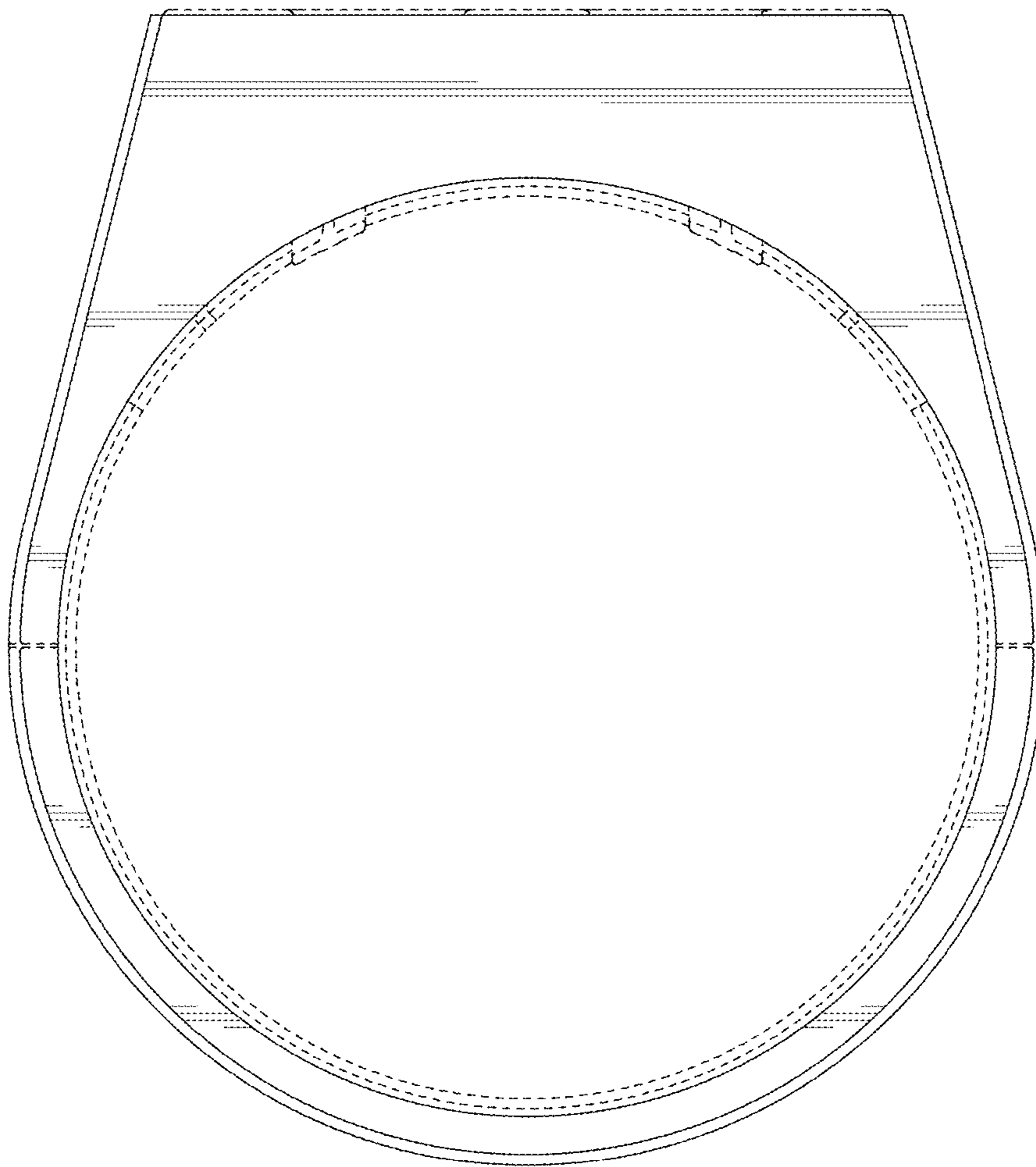


FIG. 2

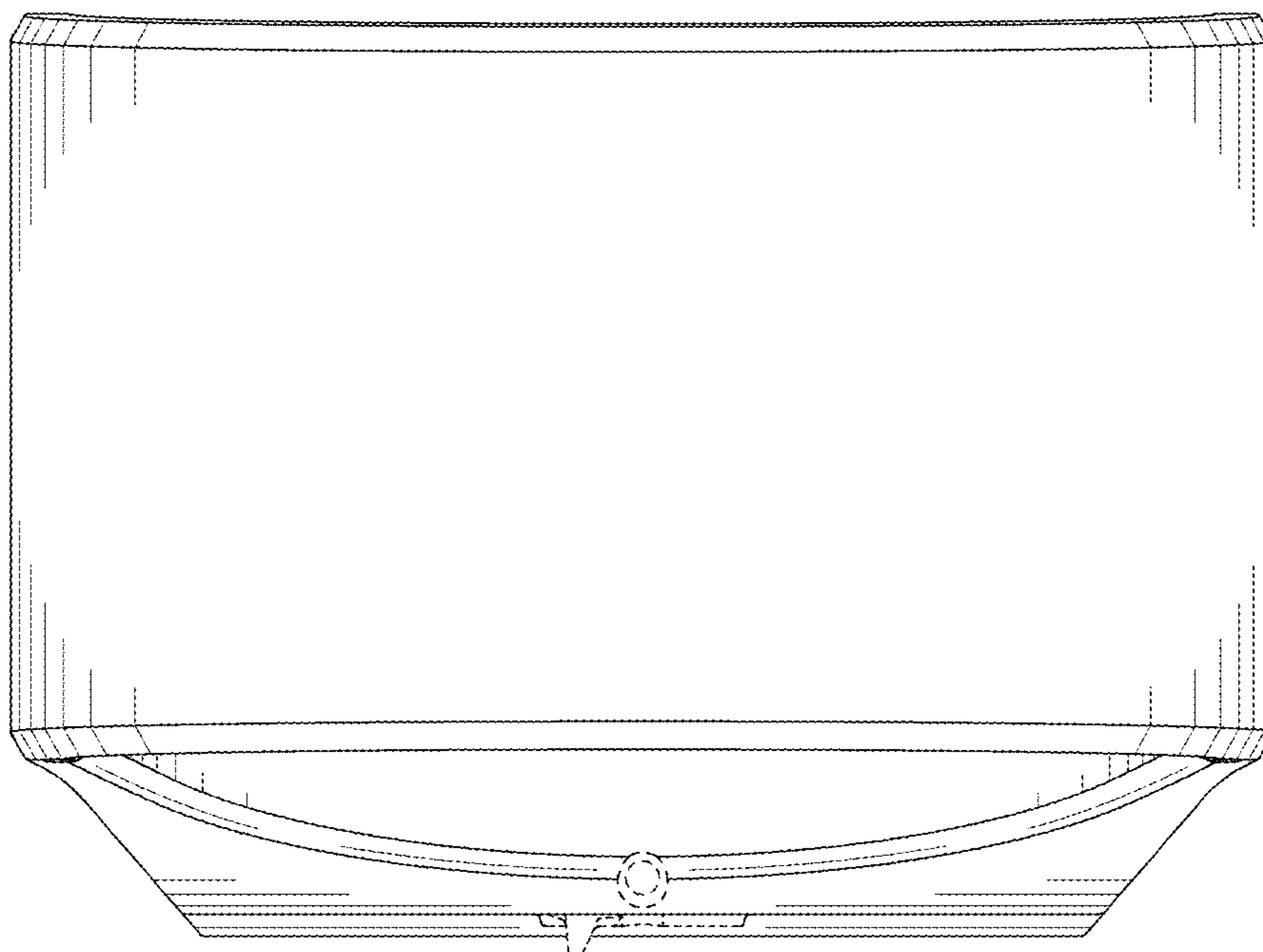


FIG. 3

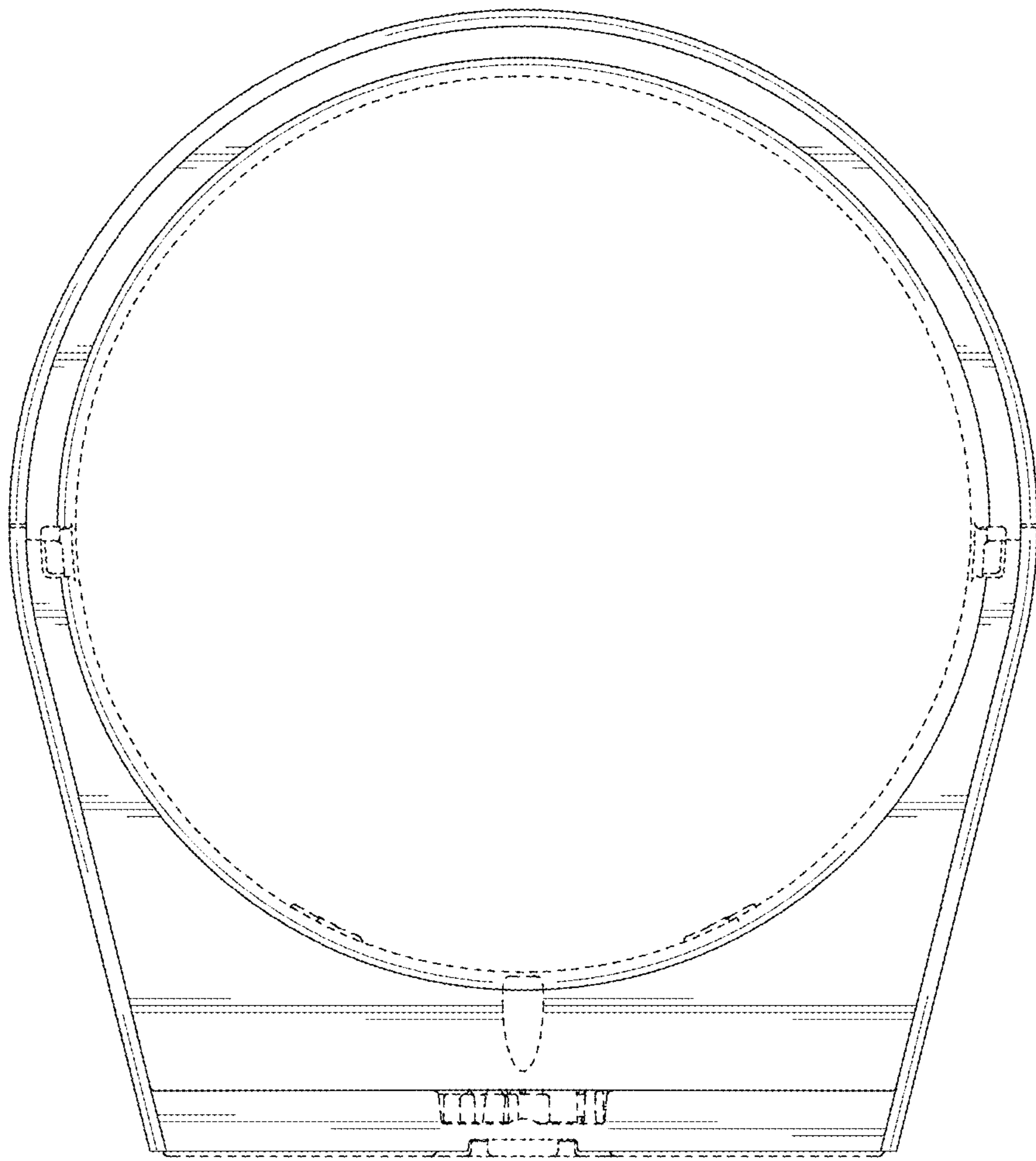


FIG. 4

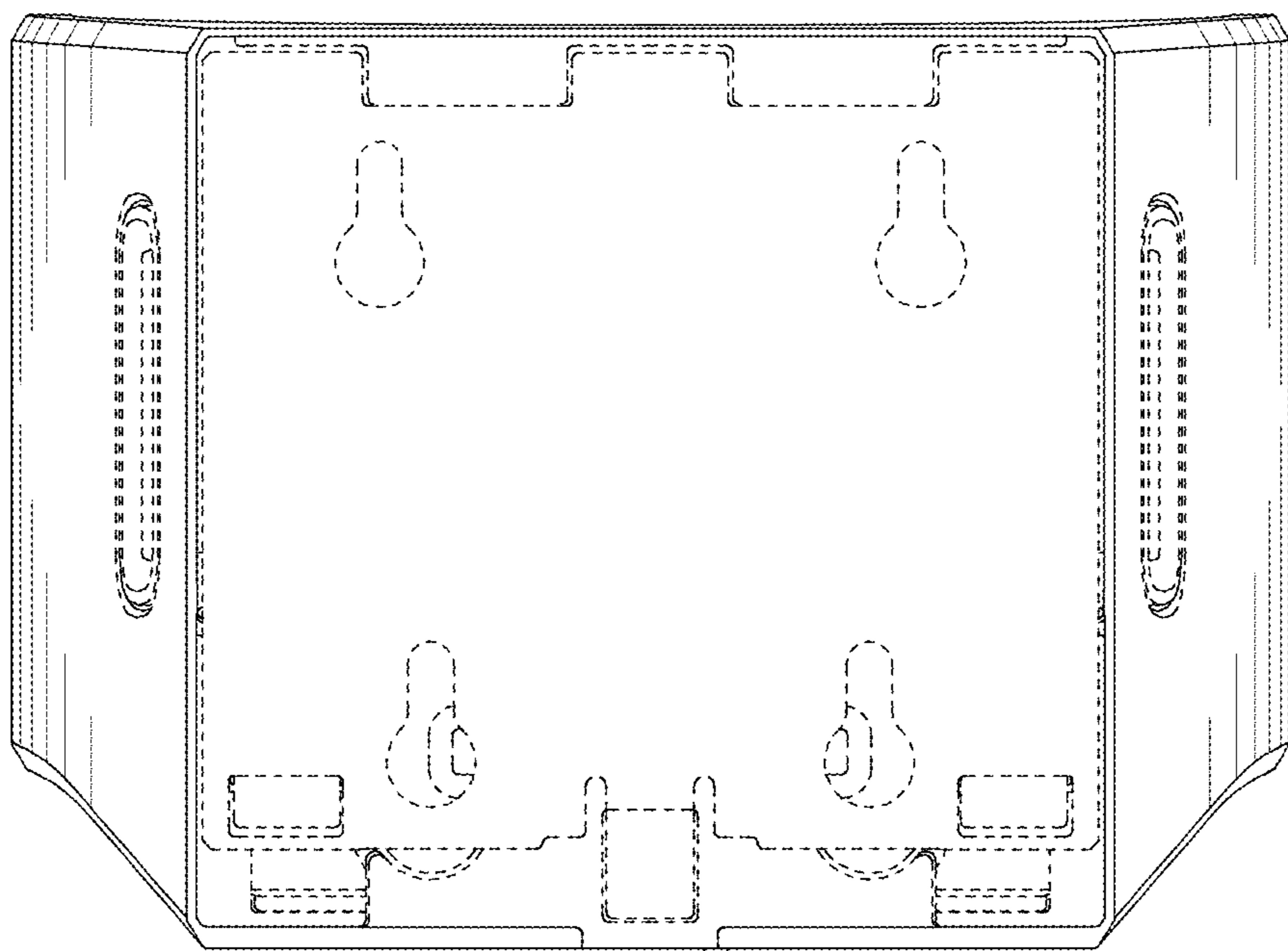


FIG. 5

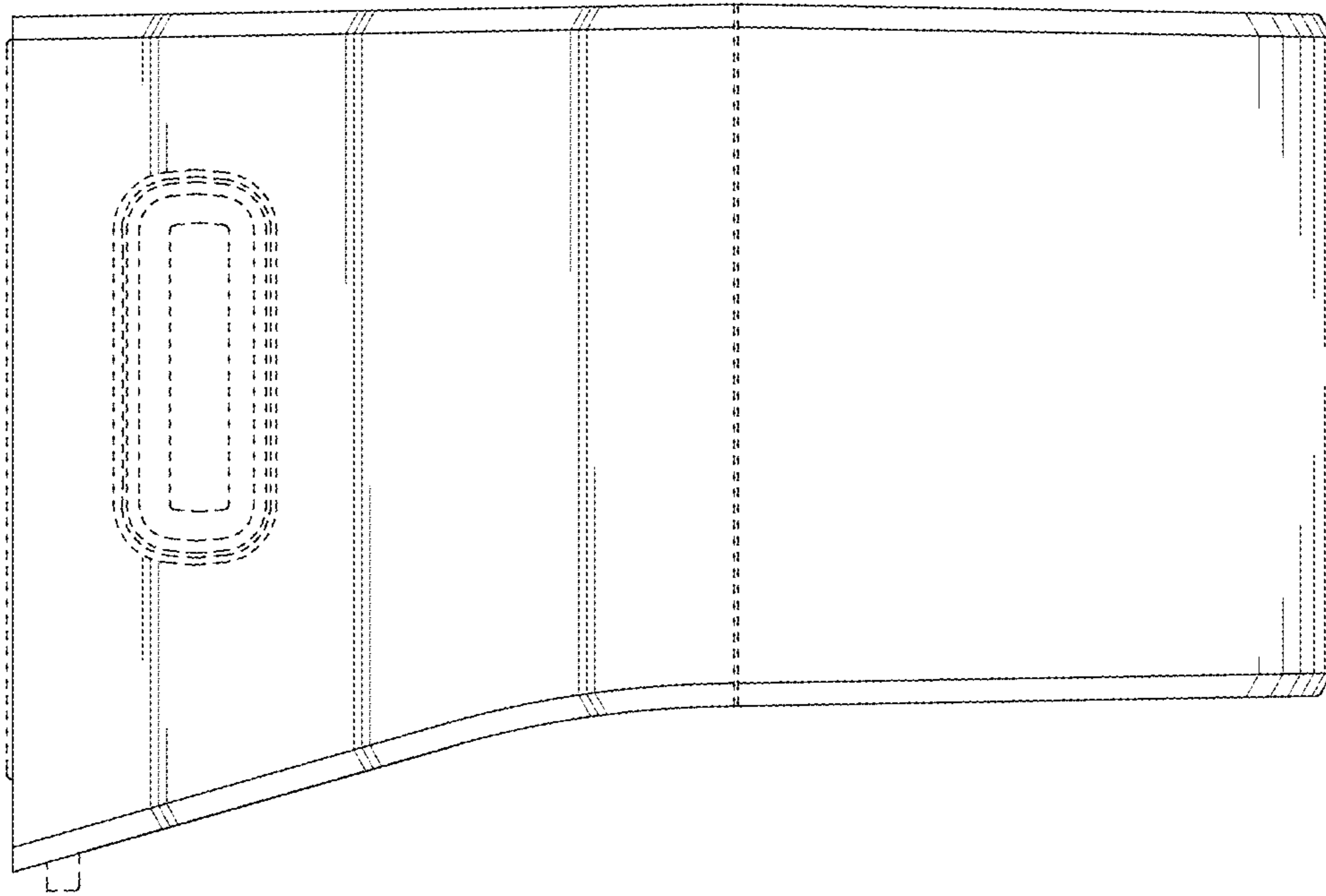


FIG. 6

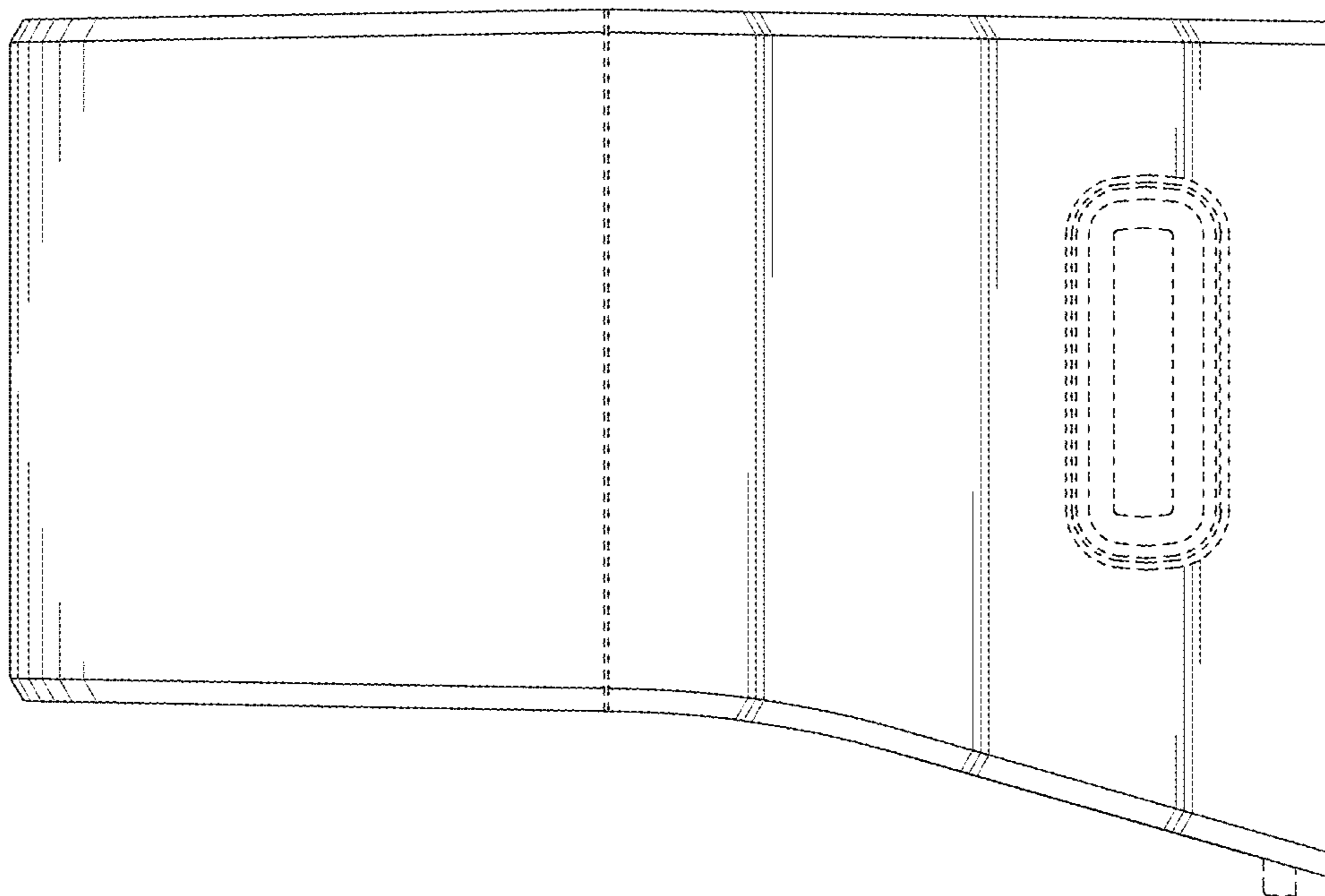


FIG. 7

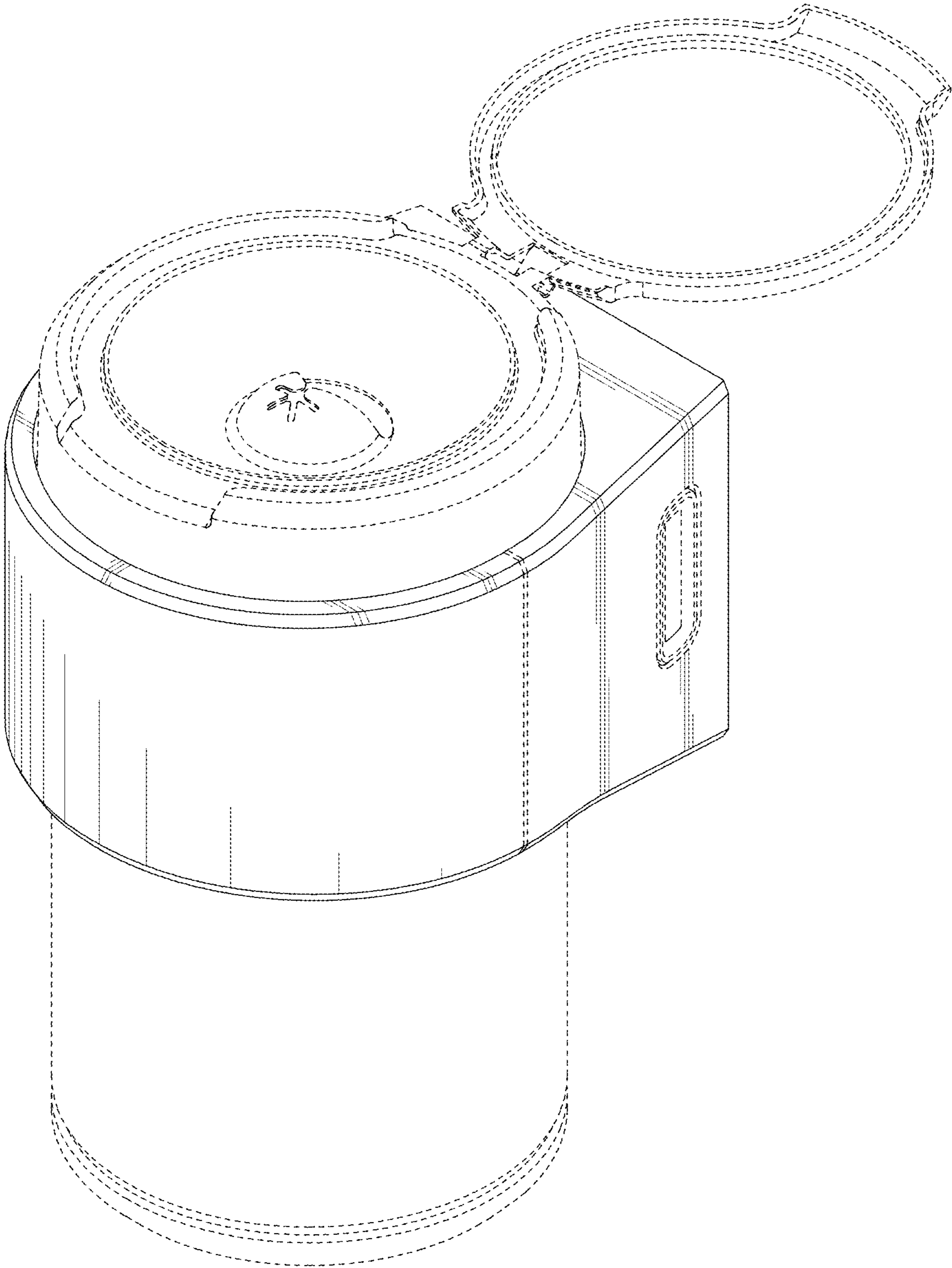


FIG. 8