



US00D953150S

(12) **United States Design Patent** (10) **Patent No.:** **US D953,150 S**
Luo (45) **Date of Patent:** **** May 31, 2022**

(54) **MAGNETIC HOOK**
(71) Applicant: **Xiaorong Luo**, Laohekou (CN)
(72) Inventor: **Xiaorong Luo**, Laohekou (CN)
(**) Term: **15 Years**
(21) Appl. No.: **29/772,922**
(22) Filed: **Mar. 4, 2021**
(51) **LOC (13) Cl.** **08-11**
(52) **U.S. Cl.**
USPC **D8/367**
(58) **Field of Classification Search**
USPC D8/367, 354, 349, 373; D6/323;
248/301-304, 339
CPC A47G 1/00; A47G 25/00
See application file for complete search history.

D667,293 S * 9/2012 Thompson D8/367
D670,997 S * 11/2012 Thompson D8/367
8,480,045 B2 * 7/2013 Adams, IV F16B 45/00
248/206.2
D756,753 S 6/2016 Kawaguchi
D765,498 S 10/2016 Dankert
D813,656 S 3/2018 Kremer et al.
D839,722 S * 2/2019 Schaubach D8/367
D842,083 S * 3/2019 Thompson D8/367
D880,990 S * 4/2020 Liu D8/367
2003/0189147 A1 * 10/2003 Immerman A47G 25/0614
248/302

* cited by examiner

Primary Examiner — Cynthia R Underwood
(74) *Attorney, Agent, or Firm* — Georgi Korobanov

(57) **CLAIM**

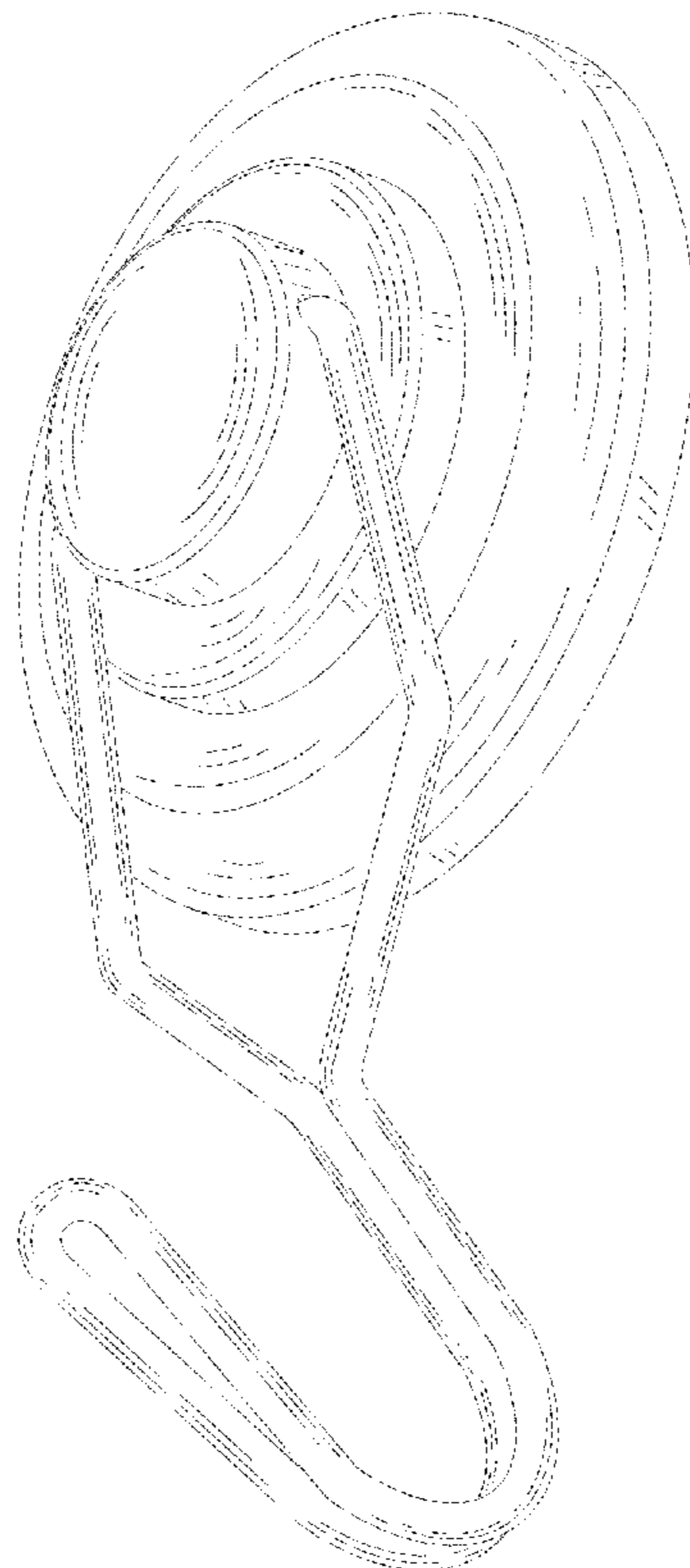
The ornamental design for magnetic hook, as shown and described.

DESCRIPTION

FIG. 1 is a perspective view of a magnetic hook showing my new design;
FIG. 2 is a front view thereof;
FIG. 3 is a rear view thereof;
FIG. 4 is a left side view thereof;
FIG. 5 is a right side view thereof;
FIG. 6 is a top plan view thereof; and,
FIG. 7 is a bottom plan view thereof.
The broken lines depict portions of the invention that form no part of the claim.

1 Claim, 7 Drawing Sheets

(56) **References Cited**
U.S. PATENT DOCUMENTS
D449,977 S * 11/2001 Dembowiak D8/367
6,749,165 B2 * 6/2004 Immerman A47G 1/17
248/205.5
6,814,335 B2 * 11/2004 Immerman A47G 25/0614
248/205.5
D531,487 S * 11/2006 Dretzka D8/367
D556,024 S * 11/2007 Merlo D8/367
D592,041 S * 5/2009 Drolet D8/373
D642,897 S * 8/2011 Berkowitz D8/367
D659,519 S * 5/2012 Berkowitz D8/367
D664,422 S * 7/2012 Wu D8/367



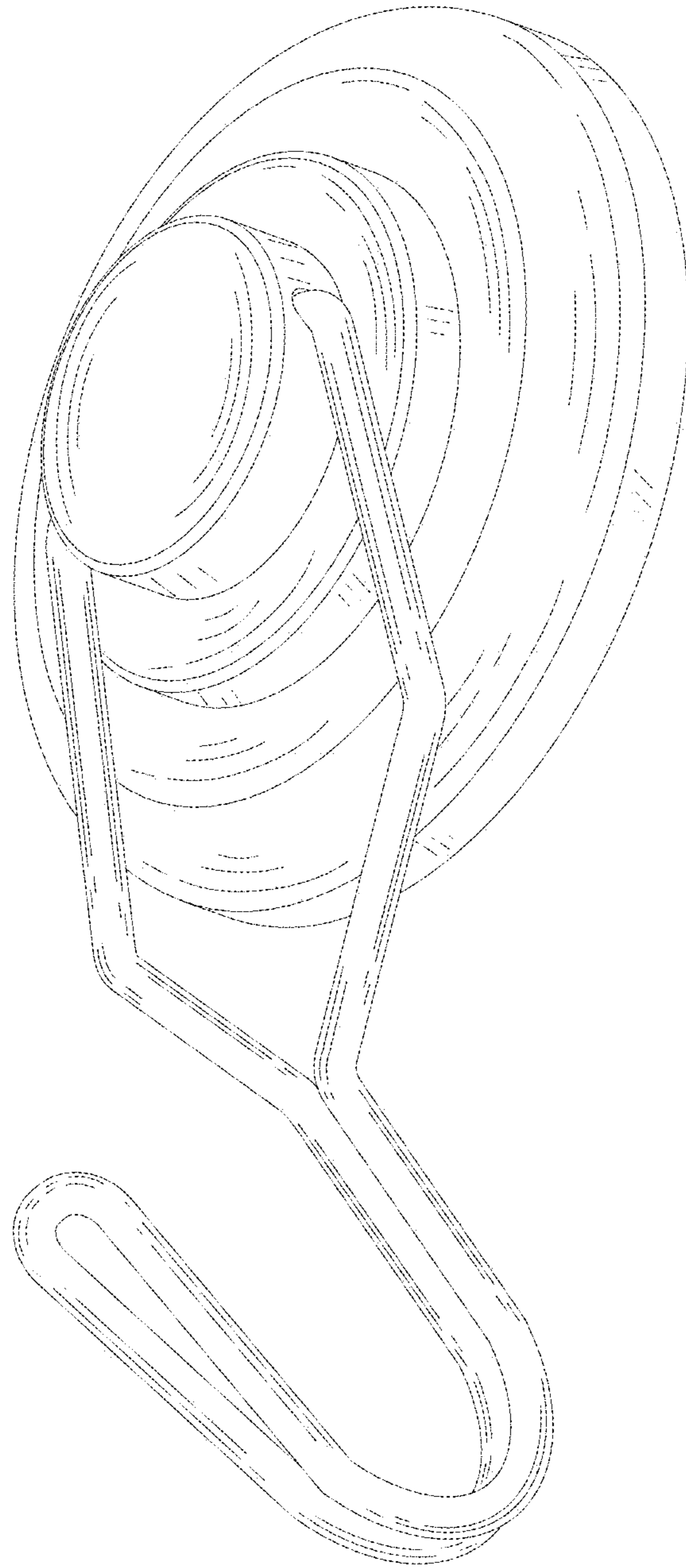


FIG. 1

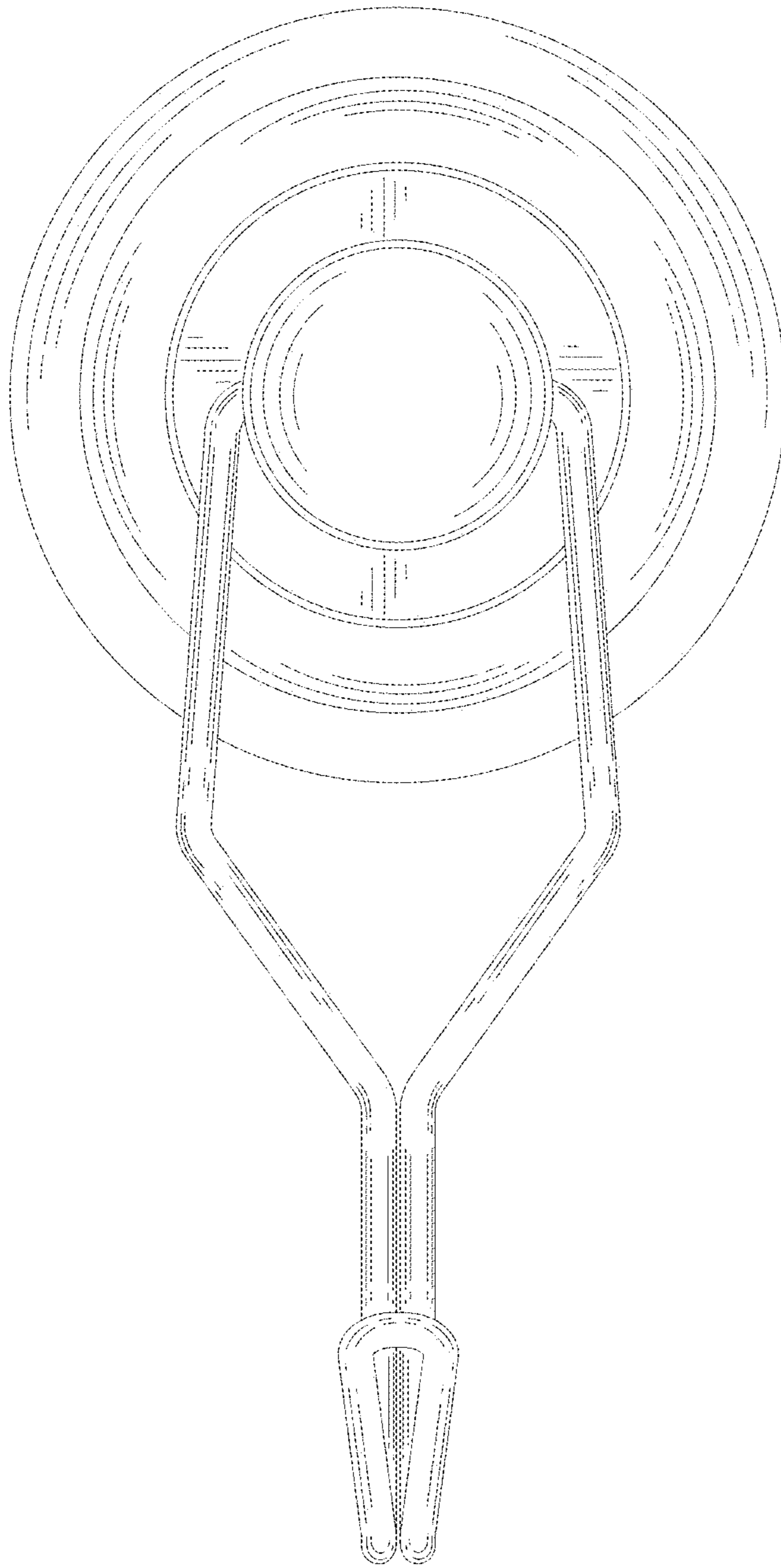


FIG. 2

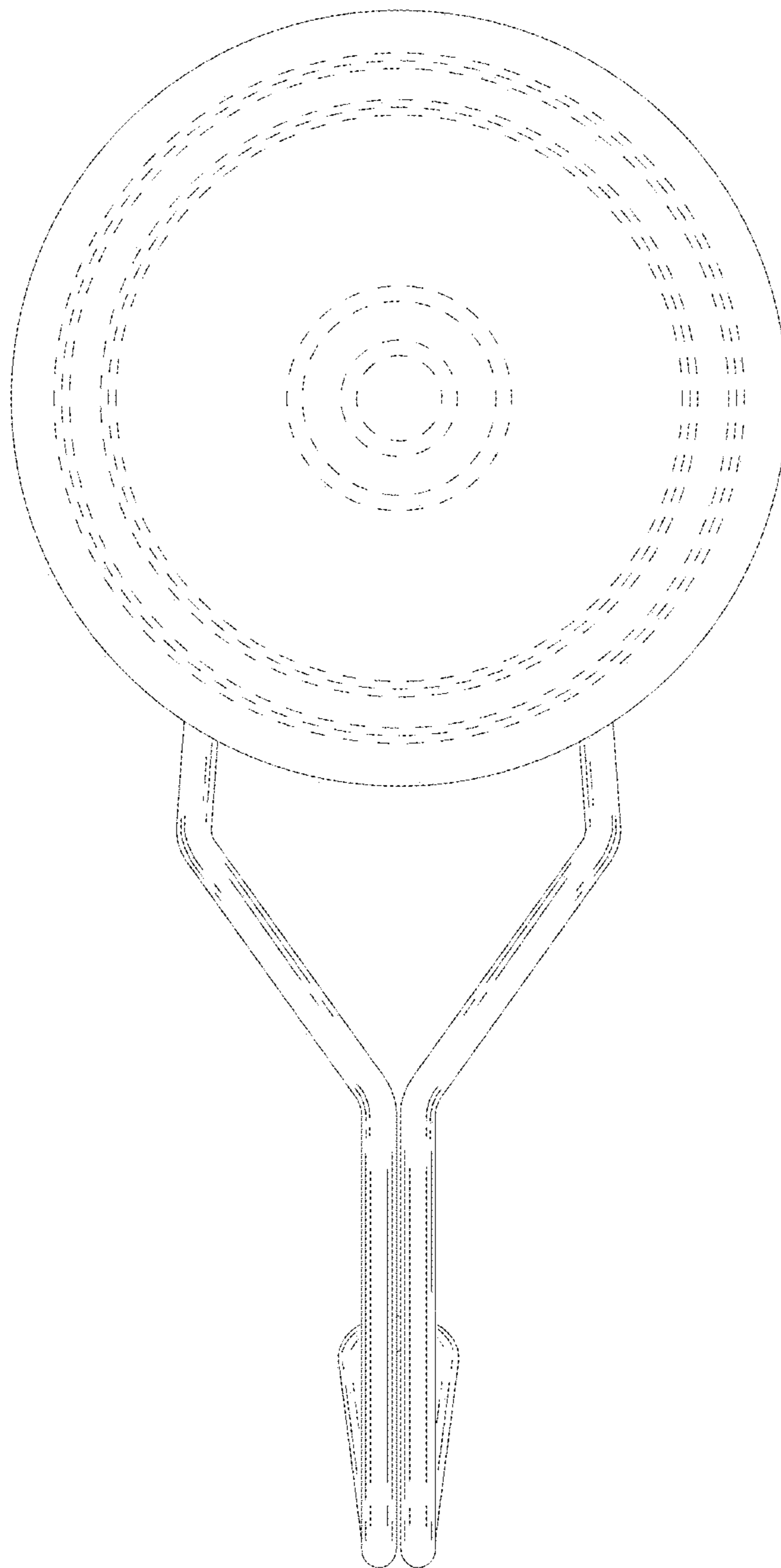


FIG. 3

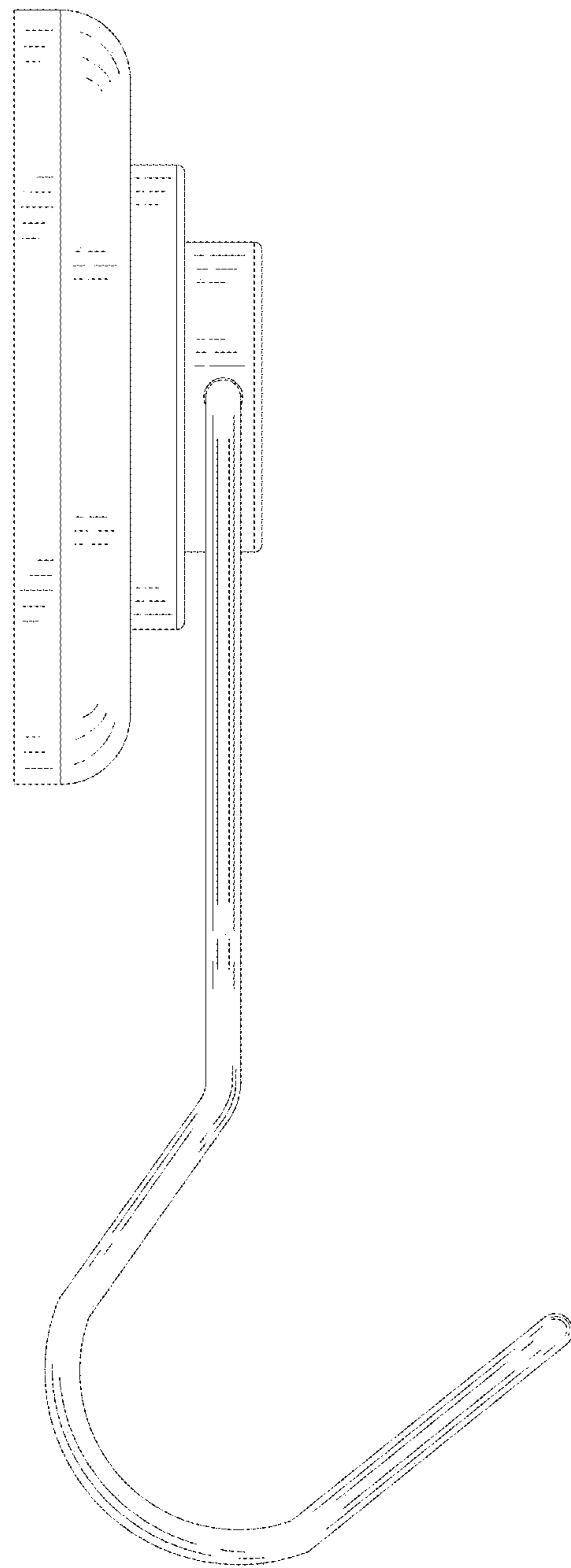


FIG. 4

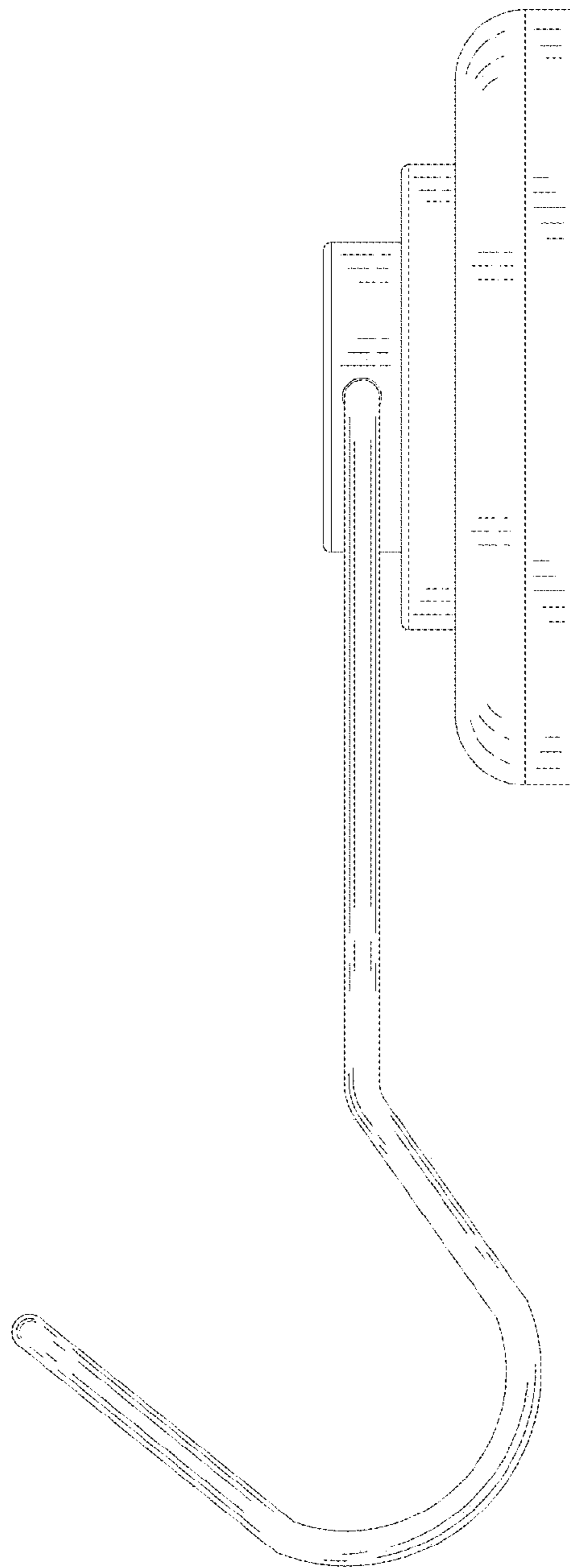


FIG. 5

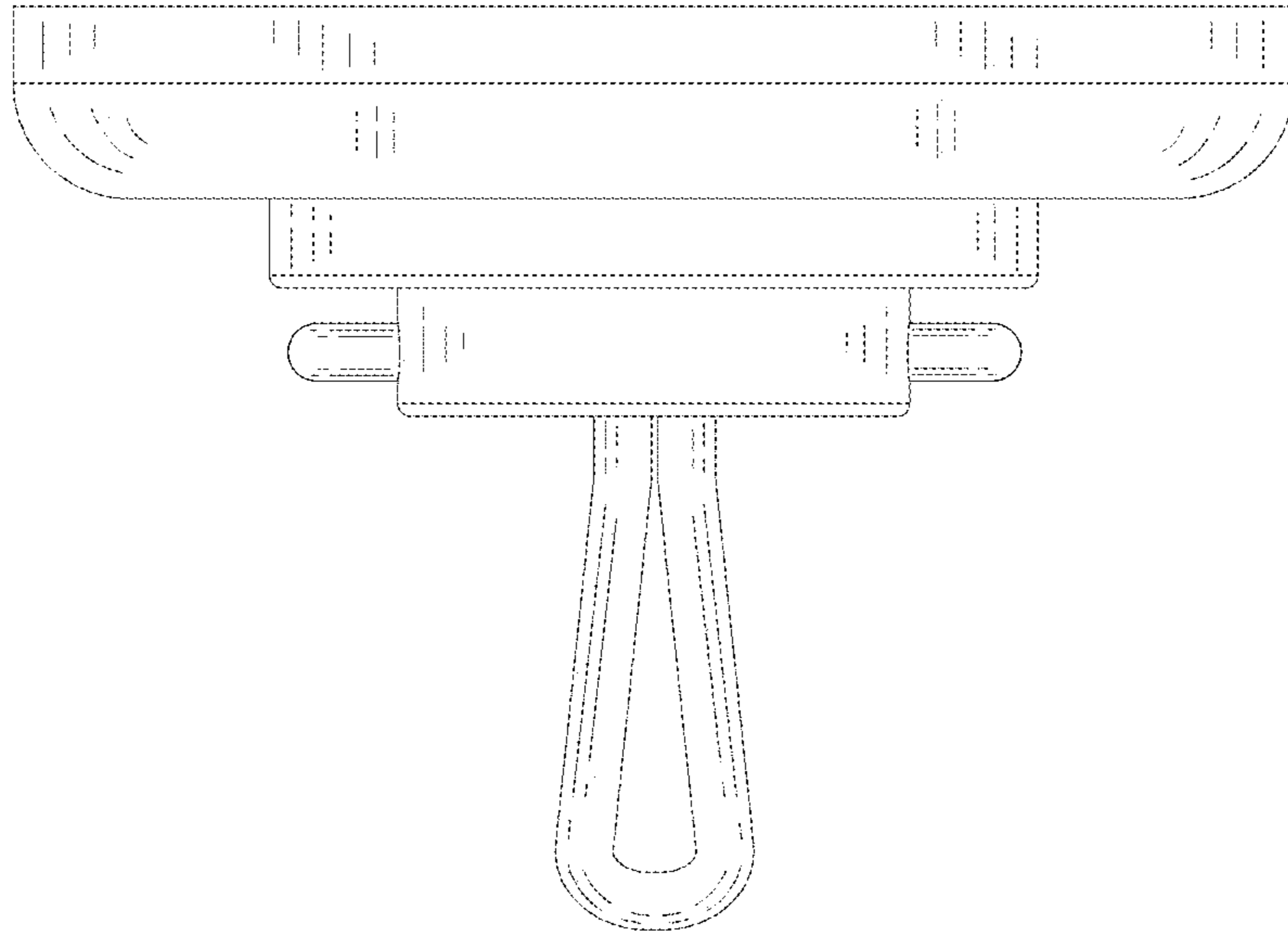


FIG. 6

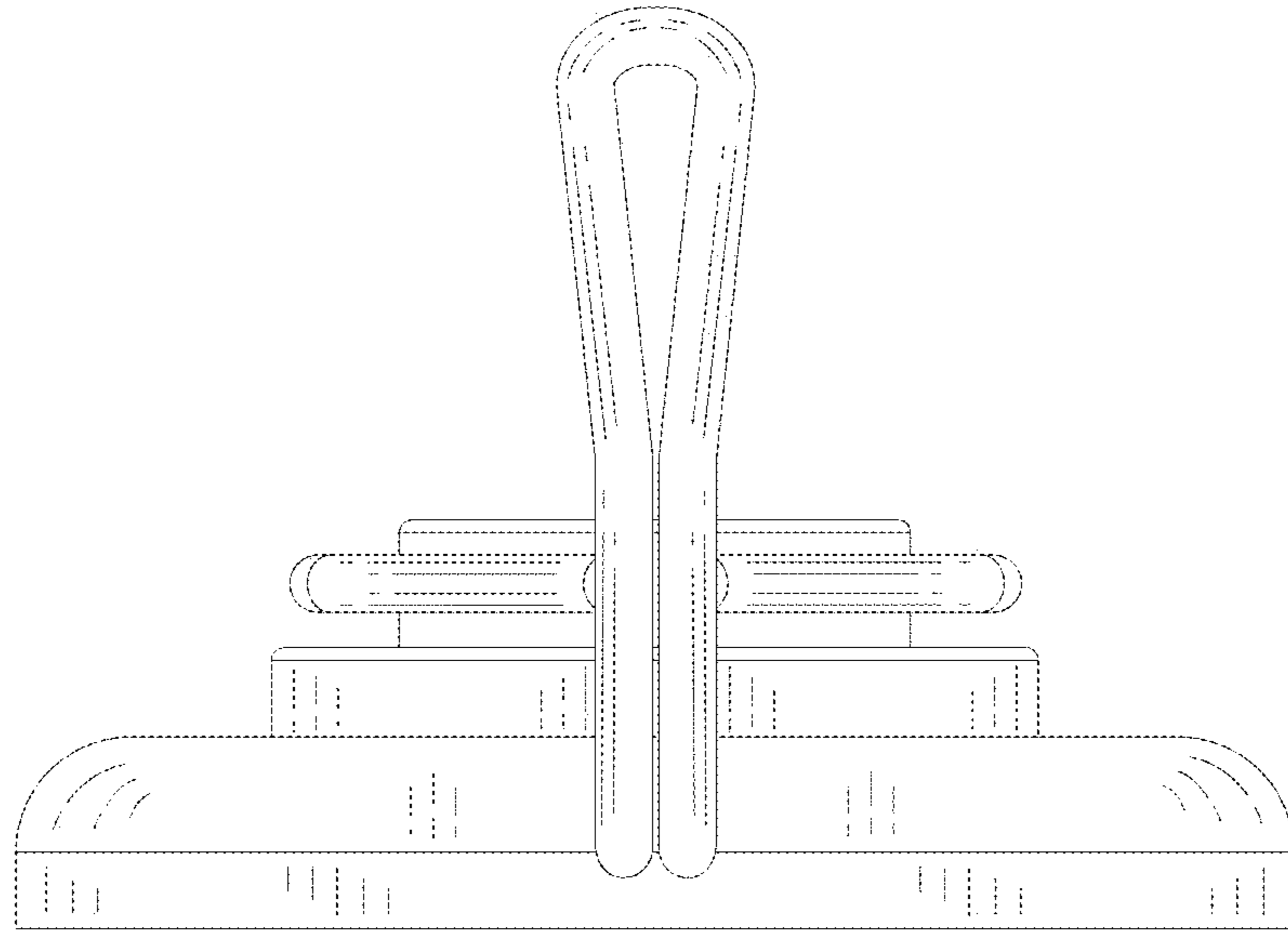


FIG. 7



US00D953150C1

(12) **EX PARTE REEXAMINATION CERTIFICATE** (12404th)
United States Patent
Luo

(10) **Number:** **US D953,150 C1**
(45) **Certificate Issued:** **Sep. 14, 2023**

(54) **MAGNETIC HOOK**

(71) Applicant: **Xiaorong Luo**, Laohekou (CN)

(72) Inventor: **Xiaorong Luo**, Laohekou (CN)

Reexamination Request:

No. 90/015,128, Sep. 26, 2022

Reexamination Certificate for:

Patent No.: **Des. 953,150**
Issued: **May 31, 2022**
Appl. No.: **29/772,922**
Filed: **Mar. 4, 2021**

(51) **LOC (14) Cl.** **08-11**

(52) **U.S. Cl.**

USPC **D8/367**

(58) **Field of Classification Search**

USPC D8/367, 373

CPC A47G 25/0614; A47G 1/17

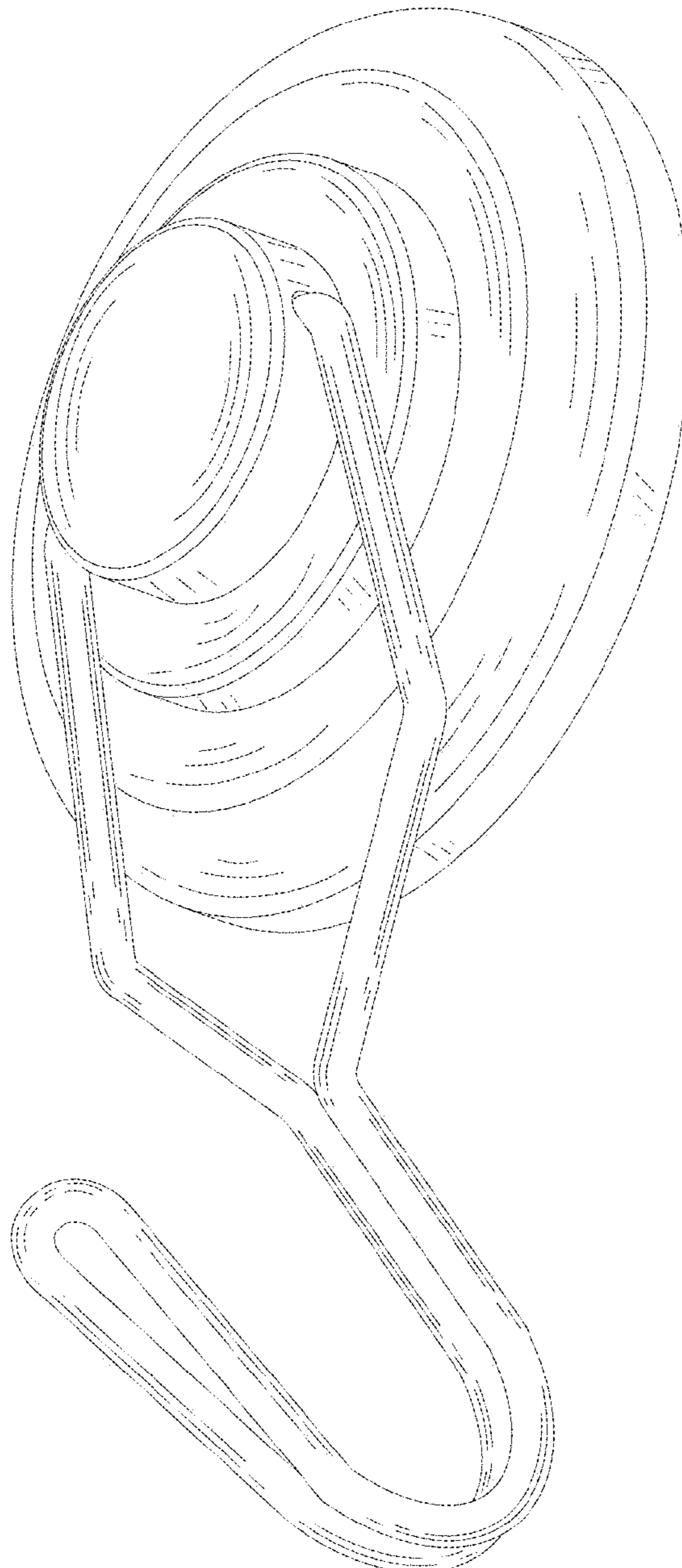
See application file for complete search history.

(56)

References Cited

To view the complete listing of prior art documents cited during the proceeding for Reexamination Control Number 90/015,128, please refer to the USPTO's Patent Electronic System.

Primary Examiner — Kevin K Rudzinski



1
EX PARTE
REEXAMINATION CERTIFICATE

THE PATENT IS HEREBY AMENDED AS
INDICATED BELOW.

5

AS A RESULT OF REEXAMINATION, IT HAS BEEN
DETERMINED THAT:

The claim 1 is cancelled.

10

* * * * *