



US00D953149S

(12) **United States Design Patent**  
**Ormsbee**

(10) **Patent No.:** **US D953,149 S**  
(45) **Date of Patent:** **\*\* May 31, 2022**

- (54) **LOCKING BUNGEE**
- (71) Applicant: **Nite Ize, Inc.**, Boulder, CO (US)
- (72) Inventor: **Bowden Ormsbee**, Longmont, CO (US)
- (73) Assignee: **Nite Ize, Inc.**, Boulder, CO (US)
- (\*\*) Term: **15 Years**
- (21) Appl. No.: **29/758,028**
- (22) Filed: **Nov. 11, 2020**
- (51) **LOC (13) Cl.** ..... **08-05**
- (52) **U.S. Cl.**  
USPC ..... **D8/367**
- (58) **Field of Classification Search**  
USPC ..... D8/349, 355, 356, 366, 367, 368, 371,  
D8/382, 383, 395; D3/207, 208, 210;  
D11/218; D21/662  
CPC .... D07B 2201/2069; D07B 2401/2005; A63B  
21/0552; A63B 21/0557; F16G 11/14;  
F16G 11/143; F16G 11/146; F16B  
45/015; F16B 45/02; A44B 11/02; A44B  
11/04; A44B 11/06; A44B 13/02; A62B  
35/0037; A62B 35/0043; A62B 35/005;  
A62B 35/0068; Y10T 24/4764; B62J  
7/08; B60P 7/0807; B60P 7/0815; B60P  
7/0823  
See application file for complete search history.

(56) **References Cited**

**U.S. PATENT DOCUMENTS**

- D272,518 S \* 2/1984 Smith ..... D8/349
- 4,559,677 A \* 12/1985 Tracy ..... B62J 7/08  
24/300
- 5,308,101 A \* 5/1994 Monty ..... B60D 1/182  
267/74
- 5,317,788 A \* 6/1994 Esposito ..... B62J 7/08  
24/300
- D391,475 S \* 3/1998 Striebel ..... D8/367

- 6,014,794 A \* 1/2000 McCoy ..... B62J 7/08  
24/265 H
  - 6,783,311 B2 \* 8/2004 Sauerwald ..... B60P 7/0823  
410/116
  - D525,861 S \* 8/2006 Mackey ..... D8/367
  - 7,093,329 B1 \* 8/2006 Chiu ..... A63B 21/0552  
24/300
  - 7,181,809 B1 \* 2/2007 Kuo ..... F16B 2/005  
24/265 H
  - D537,708 S \* 3/2007 Leung ..... D8/395
- (Continued)

**FOREIGN PATENT DOCUMENTS**

KR 3020200001611 \* 11/2020

**OTHER PUBLICATIONS**

SlideLock Carabiner Bungee, Video upload date: Aug. 3, 2021 (YouTube), <<https://www.youtube.com/watch?v=AJ3JkvzShmM>>.\*

*Primary Examiner* — Sandra Snapp  
*Assistant Examiner* — Ieisha N Price  
(74) *Attorney, Agent, or Firm* — Haynes and Boone, LLP

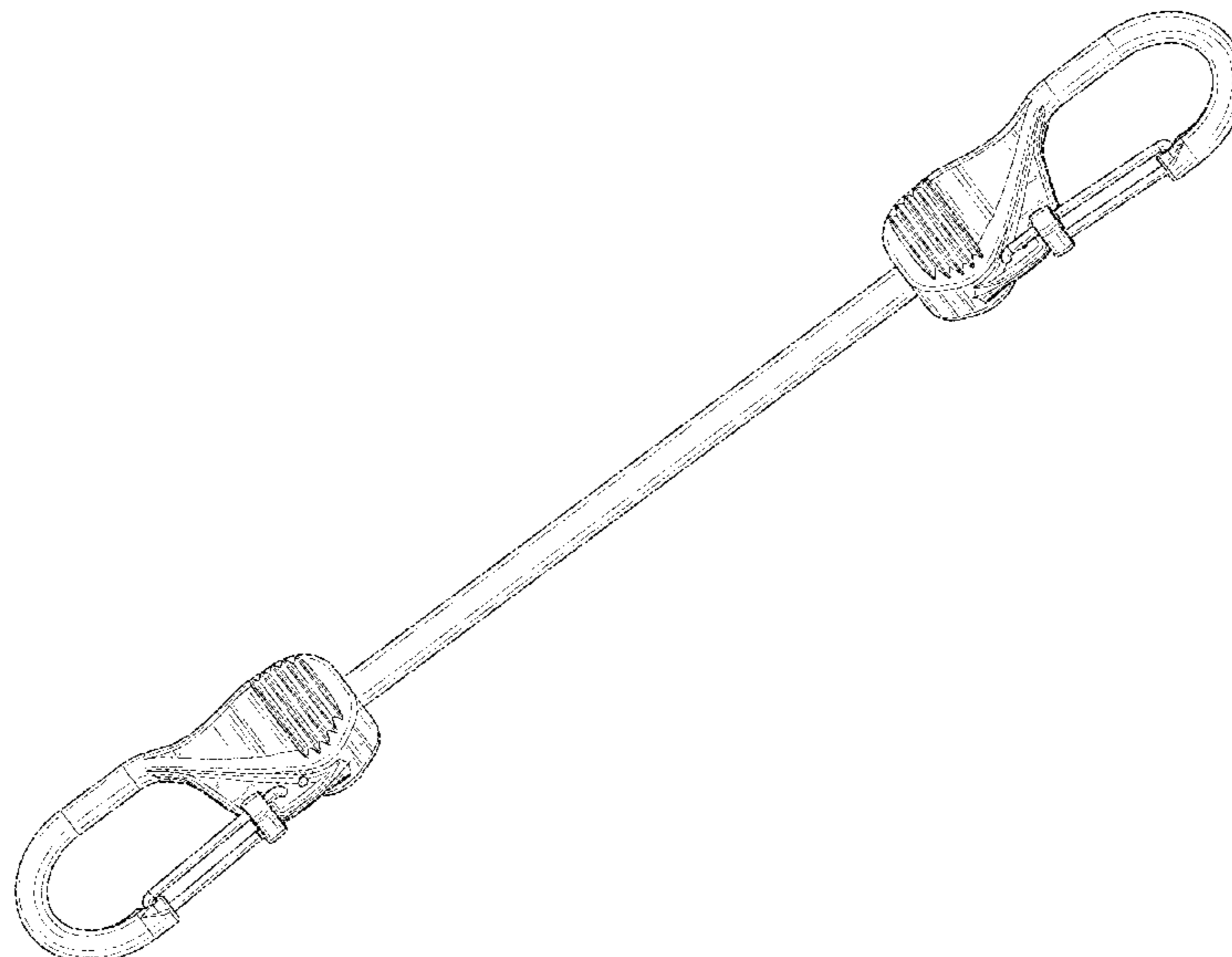
(57) **CLAIM**

The ornamental design for the locking bungee, as shown and described.

**DESCRIPTION**

FIG. 1 shows a front perspective view of a locking bungee; FIG. 2 shows a front view of the locking bungee of FIG. 1; FIG. 3 shows a rear view of the locking bungee of FIG. 1; FIG. 4 shows a top view of the locking bungee of FIG. 1; FIG. 5 shows a bottom view of the locking bungee of FIG. 1; FIG. 6 shows a right side view of the locking bungee of FIG. 1; and, FIG. 7 shows a left side view of the locking bungee of FIG. 1.

**1 Claim, 4 Drawing Sheets**



(56)

References Cited

U.S. PATENT DOCUMENTS

7,228,600 B1 \* 6/2007 Selby ..... F16B 45/02  
 24/265 H  
 D546,169 S \* 7/2007 Selby ..... D8/367  
 D551,541 S \* 9/2007 Kuo ..... D8/367  
 D552,456 S \* 10/2007 Selby ..... D8/367  
 D570,256 S \* 6/2008 Tucker ..... D12/133  
 D577,574 S \* 9/2008 Liang ..... D8/356  
 7,540,070 B1 \* 6/2009 Selby ..... F16B 45/00  
 24/265 H  
 D605,027 S \* 12/2009 Leung ..... D8/367  
 7,695,413 B1 \* 4/2010 Cruz ..... A63B 21/05  
 482/126  
 7,785,243 B2 \* 8/2010 Kassel ..... A63B 21/0442  
 482/122  
 7,805,816 B1 \* 10/2010 Thorne, III ..... B60P 7/0823  
 24/301  
 D628,877 S \* 12/2010 Stevens ..... D8/367  
 D629,290 S \* 12/2010 Stevens ..... D8/367  
 D633,371 S \* 3/2011 Stevens ..... D8/367  
 D639,355 S \* 6/2011 Kassel ..... D21/662  
 D639,356 S \* 6/2011 Kassel ..... D21/662  
 7,971,269 B2 \* 7/2011 Buckley ..... A63B 71/1225  
 2/22  
 D643,886 S \* 8/2011 Kassel ..... D21/662  
 D644,700 S \* 9/2011 Kassel ..... D21/662  
 D659,515 S \* 5/2012 Schoen ..... D8/355  
 D659,516 S \* 5/2012 Schoen ..... D8/355  
 D698,625 S \* 2/2014 Liang ..... D8/356  
 D698,626 S \* 2/2014 Ormsbee ..... D8/356  
 8,657,727 B1 \* 2/2014 Kassel ..... A63B 21/4001  
 482/122  
 8,740,525 B2 \* 6/2014 Coury ..... B60P 7/06  
 410/118

8,870,722 B2 \* 10/2014 Kassel ..... A63B 21/0552  
 482/122  
 D726,841 S \* 4/2015 Wright ..... D21/662  
 9,051,960 B2 \* 6/2015 Breeden ..... B65B 13/02  
 D735,559 S \* 8/2015 Liang ..... D8/356  
 D751,721 S \* 3/2016 Kelley ..... D24/192  
 D778,132 S \* 2/2017 Fischer ..... D8/17  
 D821,090 S \* 6/2018 Case ..... D3/207  
 9,994,430 B1 \* 6/2018 Hooper ..... B62B 3/04  
 D856,118 S \* 8/2019 Adelman ..... D8/356  
 D913,595 S \* 3/2021 Hudson ..... D29/101.1  
 D934,662 S \* 11/2021 Adelman ..... D8/356  
 D934,663 S \* 11/2021 Adelman ..... D8/356  
 2005/0050695 A1 \* 3/2005 Mackey ..... B62J 7/08  
 24/300  
 2009/0000086 A1 \* 1/2009 Bing ..... F16B 45/06  
 24/592.11  
 2010/0011543 A1 \* 1/2010 Wang ..... F16G 11/103  
 24/300  
 2010/0167885 A1 \* 7/2010 Kassel ..... A63B 21/4015  
 482/121  
 2011/0224055 A1 \* 9/2011 Kassel ..... A63B 21/4019  
 482/121  
 2012/0297582 A1 \* 11/2012 Lee ..... A63B 21/0557  
 24/265 H  
 2013/0232741 A1 \* 9/2013 Liang ..... F16B 45/06  
 24/600.2  
 2014/0115840 A1 \* 5/2014 Liang ..... F16B 45/06  
 24/600.2  
 2015/0202496 A1 \* 7/2015 Coursimault ..... F16B 45/02  
 24/302  
 2021/0086015 A1 \* 3/2021 Sun ..... A63B 21/4033  
 2021/0285485 A1 \* 9/2021 Lin ..... F16B 45/02  
 2021/0348670 A1 \* 11/2021 Chu ..... B65D 63/16

\* cited by examiner

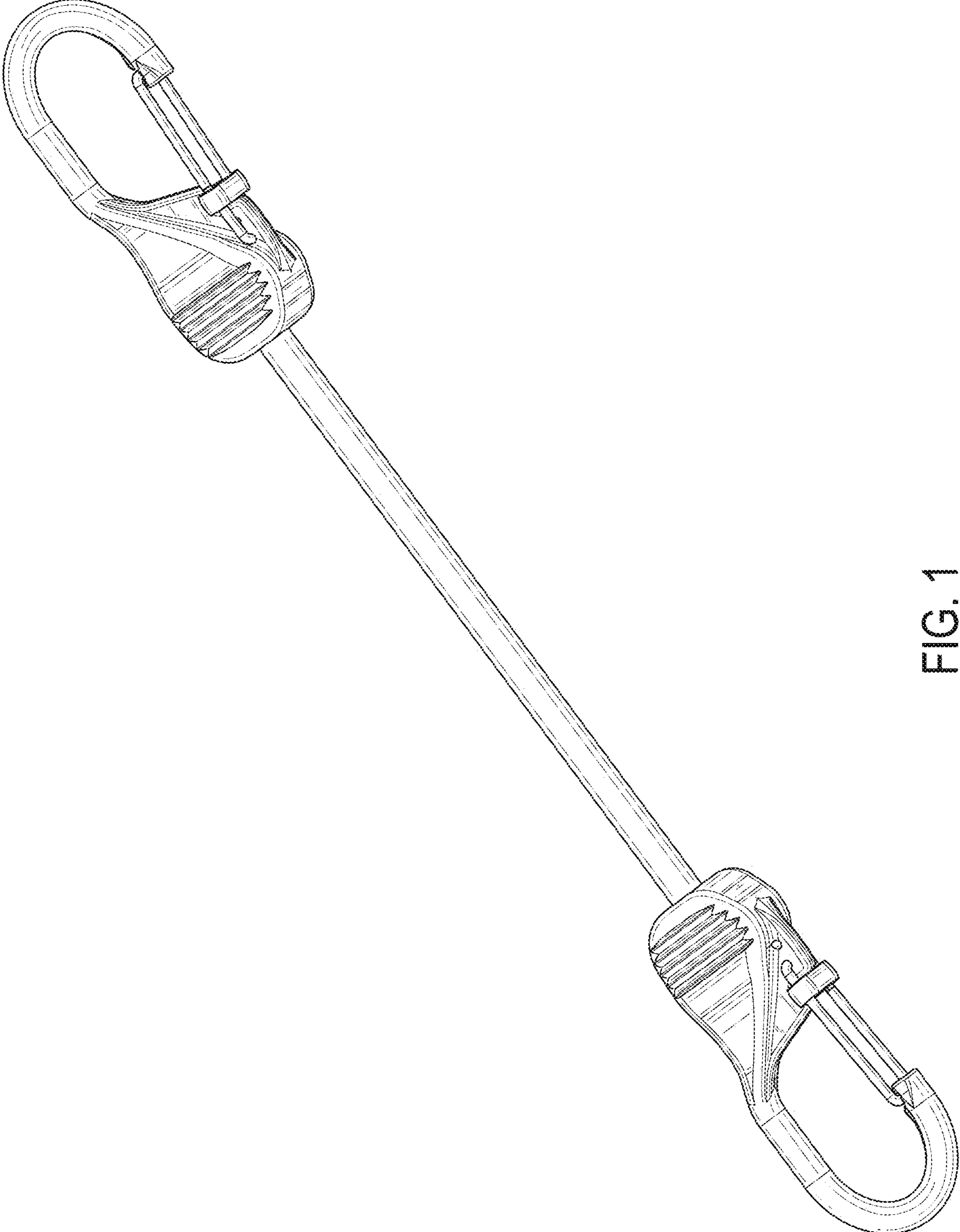


FIG. 1

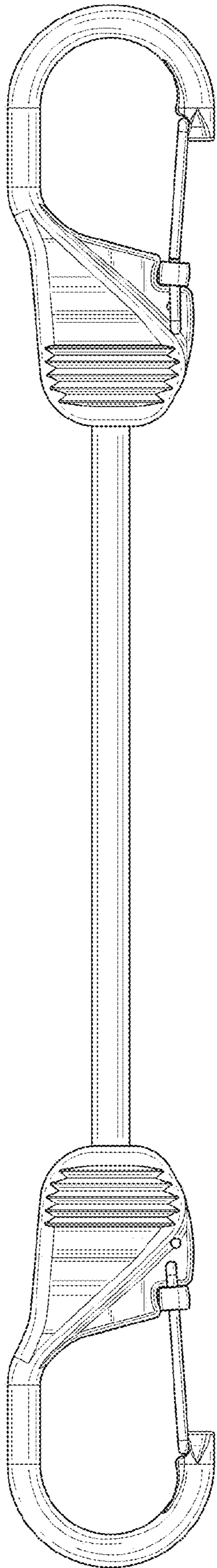


FIG. 2

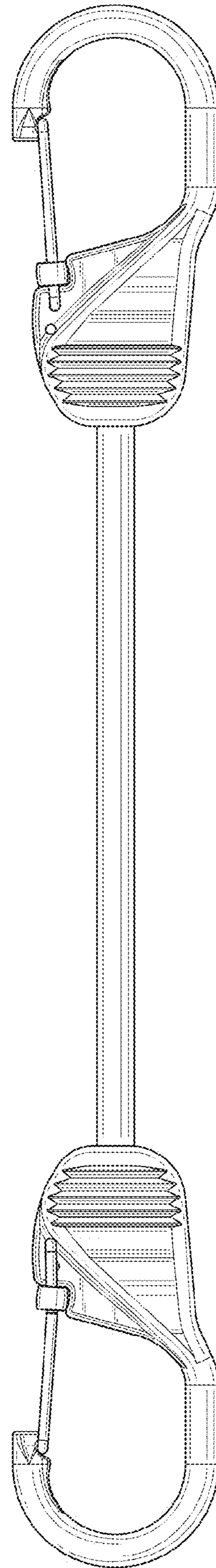


FIG. 3

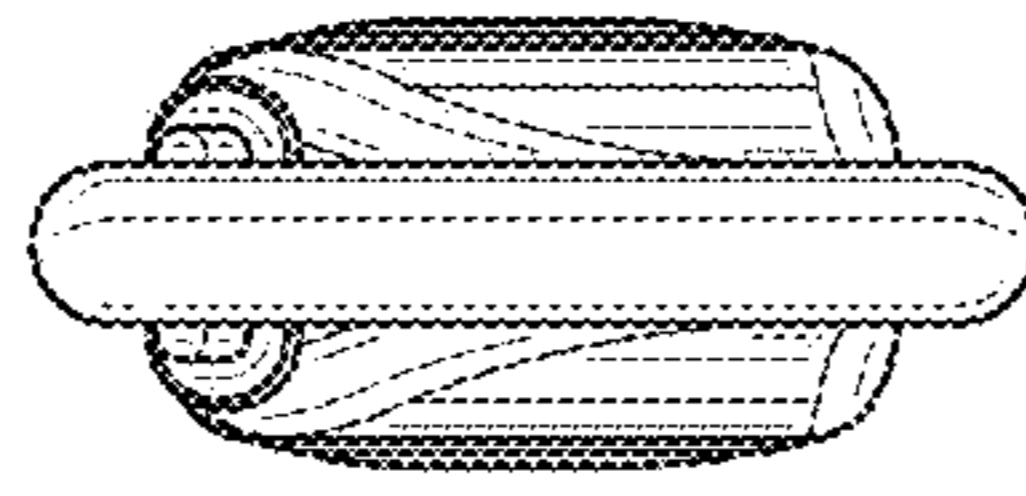


FIG. 5

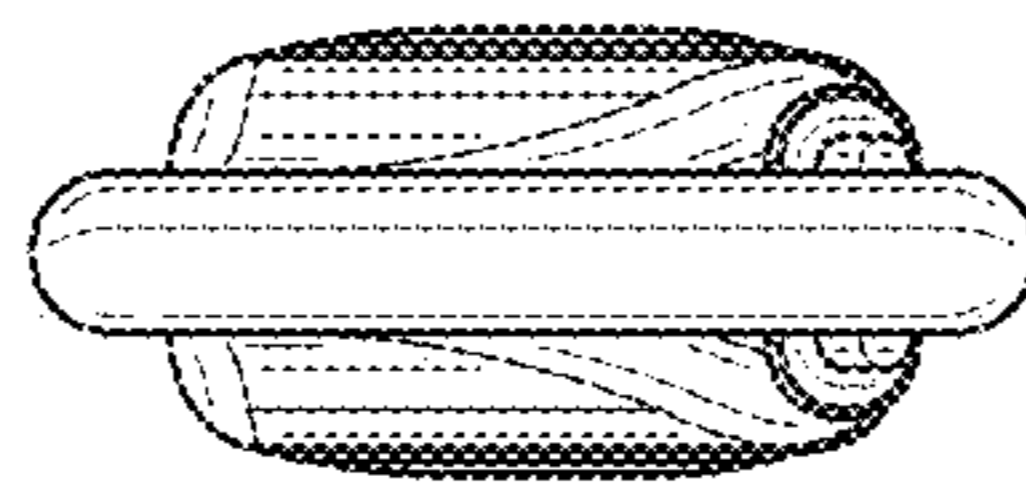


FIG. 4

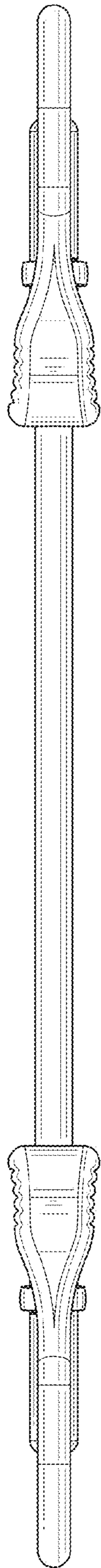


FIG. 6

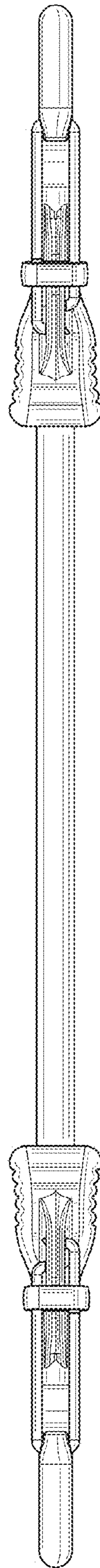


FIG. 7