



US00D953148S

(12) **United States Design Patent** (10) **Patent No.:** **US D953,148 S**
Wu et al. (45) **Date of Patent:** **** May 31, 2022**

(54) **BRACKET APPLIED TO A WINDOW TREATMENT**

D327,192 S 6/1992 Geuvjehizian
D336,580 S 6/1993 White et al.
D355,094 S 2/1995 Josephson

(Continued)

(71) Applicant: **Lutron Technology Company LLC**,
Coopersburg, PA (US)

FOREIGN PATENT DOCUMENTS

(72) Inventors: **Mailing Ren Wu**, Lansdale, PA (US);
Margaret A. Block, Allentown, PA
(US); **David A. Kirby**, Zionsville, PA
(US); **Vladislav Pejic**, Allentown, PA
(US)

BE 200900404 9/2011
DE G 89 14 725.1 8/1990

(Continued)

(73) Assignee: **Lutron Technology Company LLC**,
Coopersburg, PA (US)

“J Geiger Shading—IWCE”, Mar. 7, 2019, Facebook.com, site
visited Jan. 12, 2022: <https://www.facebook.com/jgeigershading/photos/a.587197184724161/1968019159975283> (Year: 2019).*

(Continued)

(**) Term: **15 Years**

OTHER PUBLICATIONS

(21) Appl. No.: **29/746,561**

Primary Examiner — Jack Reickel

(22) Filed: **Aug. 14, 2020**

Assistant Examiner — Michael A Kervin

(51) **LOC (13) Cl.** **08-05**

(74) *Attorney, Agent, or Firm* — Saidman DesignLaw
Group, LLC

(52) **U.S. Cl.**
USPC **D8/363**; D6/580

(57) **CLAIM**

(58) **Field of Classification Search**
USPC D6/580; D8/70–72, 363, 371–377,
D8/380–381, 394–398
CPC E06B 9/42; E06B 9/72
See application file for complete search history.

The ornamental design for a bracket applied to a window
treatment, as shown and described.

DESCRIPTION

(56) **References Cited**

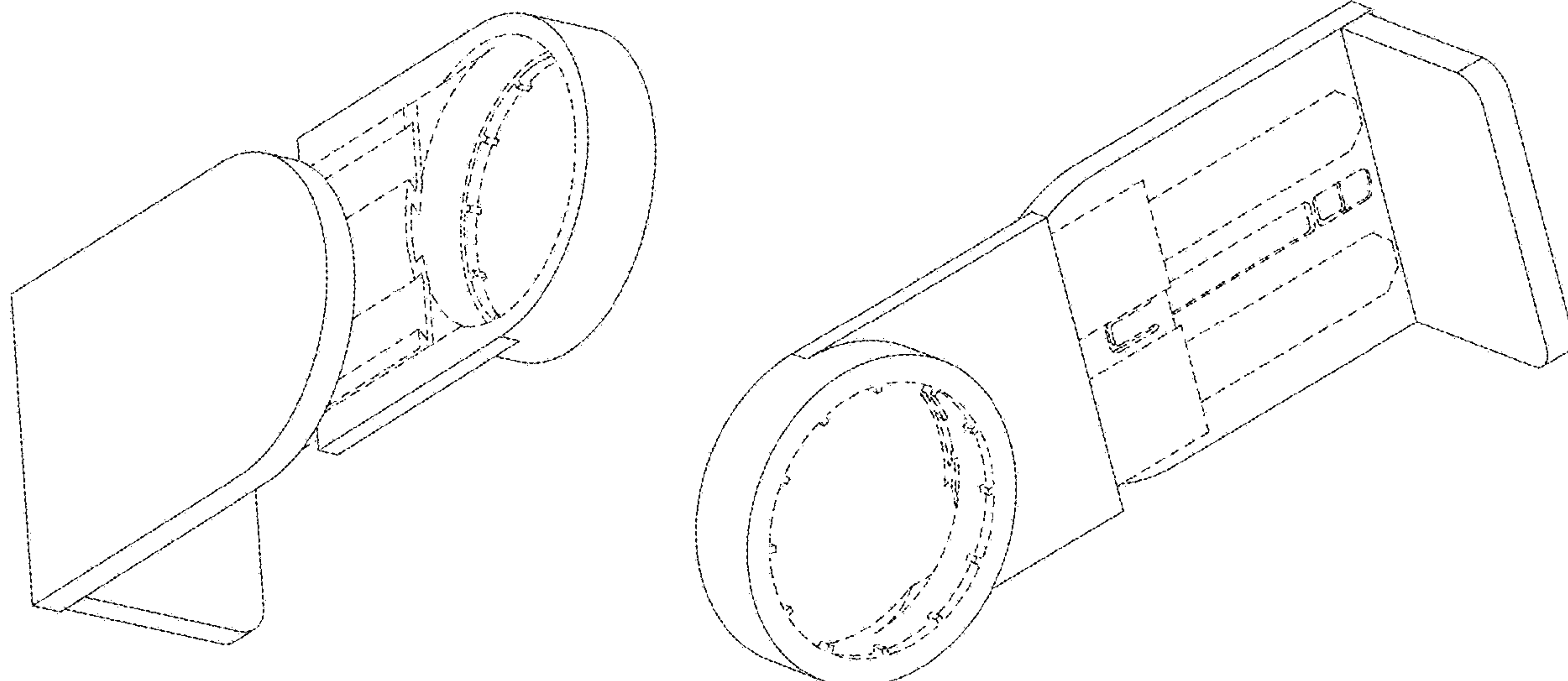
U.S. PATENT DOCUMENTS

846,089 A	3/1907	Cannon	
1,557,419 A	10/1925	Clarke	
2,031,698 A	2/1936	Fanzoi	
2,108,939 A	2/1938	Lewis	
D161,199 S	12/1950	Perelman	
D182,161 S	2/1958	Bulman	
D239,502 S *	4/1976	Galietti D8/376
4,368,771 A	1/1983	Hopper	
4,771,966 A	9/1988	Anderson	
D322,211 S	12/1991	Gary	

FIG. 1 is a perspective view of a bracket applied to a window
treatment showing our design;
FIG. 2 is another perspective view thereof;
FIG. 3 is a front view thereof;
FIG. 4 is a rear view thereof;
FIG. 5 is a left side view thereof;
FIG. 6 is a right side view thereof;
FIG. 7 is a top view thereof; and,
FIG. 8 is a bottom view thereof.

The broken lines illustrate structure or features which form
no part of the claimed design.

1 Claim, 4 Drawing Sheets



(56)

References Cited

U.S. PATENT DOCUMENTS

5,651,487 A 7/1997 Hansen
 D422,886 S 4/2000 Shea
 7,207,371 B2 4/2007 Hsu
 D547,985 S 8/2007 Kubota
 7,267,311 B2* 9/2007 Jung E06B 9/50
 160/903
 D622,993 S 9/2010 Park et al.
 7,849,907 B2 12/2010 Jang
 D632,118 S 2/2011 Clarke
 7,931,069 B2 4/2011 Cannaverde et al.
 D669,771 S 10/2012 Geiger
 8,307,879 B2 11/2012 Lin
 D694,039 S 11/2013 Licciardi Di Stefano
 D695,042 S 12/2013 Licciardi Di Stefano
 D705,040 S 5/2014 Konrad et al.
 D712,727 S* 9/2014 Geiger D8/382
 8,967,568 B2 3/2015 Wills et al.
 D731,876 S 6/2015 Di Stefano
 9,045,939 B2 6/2015 Blair et al.
 D733,536 S* 7/2015 Di Stefano D8/363
 D733,537 S* 7/2015 Di Stefano D8/363
 D740,108 S* 10/2015 Di Stefano D8/363
 D741,697 S* 10/2015 McGrath D8/382
 D741,698 S* 10/2015 McGrath D8/382
 9,237,821 B2 1/2016 Geiger
 D758,827 S 6/2016 Grasselli et al.
 9,587,429 B2 3/2017 Cheng
 D791,581 S* 7/2017 Lin D8/356
 D798,133 S 9/2017 Ng
 9,840,870 B2 12/2017 Lu et al.
 D817,660 S 5/2018 Raiti
 9,988,839 B2 6/2018 Geiger
 D822,473 S* 7/2018 Ng D8/383
 10,309,461 B2 6/2019 Ng
 D871,105 S 12/2019 Pejic et al.
 D871,795 S 1/2020 Pejic
 D874,183 S* 2/2020 Pejic D6/580
 D877,536 S 3/2020 Jones
 10,590,699 B2 3/2020 Chen
 D883,776 S* 5/2020 Pejic D8/381
 D906,516 S* 12/2020 Uridil D24/128
 D911,743 S* 3/2021 Pejic D6/580
 D916,583 S* 4/2021 Pejic D8/381
 11,215,008 B2* 1/2022 Blair E06B 9/17046
 2006/0118248 A1 6/2006 Anderson et al.
 2007/0175004 A1 8/2007 Chien
 2008/0053625 A1 3/2008 Anthony
 2009/0250177 A1 10/2009 Byeon
 2009/0283226 A1 11/2009 Cheng
 2010/0269983 A1 10/2010 Kirby
 2011/0067820 A1 3/2011 Hsu et al.
 2011/0139382 A1 6/2011 Daniels
 2011/0186240 A1 8/2011 Lin
 2011/0186246 A1 8/2011 Lin
 2011/0259533 A1 10/2011 Lin
 2012/0043027 A1 2/2012 Chen
 2012/0043029 A1 2/2012 Gaskill et al.
 2012/0255686 A1 10/2012 Huang
 2013/0037646 A1 2/2013 Ohl et al.
 2013/0255894 A1 10/2013 Kim
 2014/0069595 A1 3/2014 Chen
 2014/0182793 A1 7/2014 Byun
 2014/0231032 A1 8/2014 Blair
 2014/0251558 A1 9/2014 Chou
 2014/0262068 A1 9/2014 Buccola, Jr. et al.
 2014/0374036 A1 12/2014 Chen
 2015/0184454 A1 7/2015 Strand
 2016/0083999 A1 3/2016 Chen et al.
 2016/0130863 A1 5/2016 Cheng
 2016/0130869 A1 5/2016 Cheng
 2016/0348428 A1 12/2016 Cheng
 2017/0096855 A1 4/2017 Chen
 2017/0183908 A1 6/2017 Lu et al.
 2017/0284153 A1 10/2017 Reiner et al.
 2018/0023340 A1 1/2018 Goldberg et al.

2018/0112462 A1 4/2018 Chen et al.
 2018/0179812 A1 6/2018 Dubina et al.
 2018/0310745 A1* 11/2018 Giri A47H 1/13
 2019/0017321 A1 1/2019 Chen
 2019/0100960 A1 4/2019 Chen
 2019/0345761 A1 11/2019 Hsu et al.
 2019/0345762 A1 11/2019 Cheng
 2019/0383094 A1 12/2019 Kwon
 2020/0071994 A1 3/2020 Lin
 2020/0080372 A1 3/2020 Hsu et al.
 2020/0386048 A1* 12/2020 Larsson E06B 9/42
 2021/0010326 A1* 1/2021 Pierce E06B 9/72
 2021/0363820 A1* 11/2021 Friman E06B 9/42
 2021/0363822 A1* 11/2021 Blair E06B 9/42

FOREIGN PATENT DOCUMENTS

DE 20 2012 007 904 U1 1/2014
 EP 2 354 430 A2 8/2011
 JP 2013-14931 A 1/2013

OTHER PUBLICATIONS

“Motorized Blackout Window Blinds”, May 21, 2020, Amazon.com, site visited Jan. 12, 2022: <https://www.amazon.com/Motorized-Blackout-Customize-Rechargeable-Restaurant/dp/B08L1N78KD> (Year: 2020).*

“Universal Replacement Accessories for Roller Blinds”, Aug. 12, 2020, Amazon.com, site visited Jan. 12, 2022: <https://www.amazon.com/Universal-Replacement-Mounting-Brackets-Exterior/dp/B08HKDKM9S> (Year: 2020).*

Coulisse, Absolute Roller Blind 2.0 Brochure, Aug. 2015, 124 pages.

Lovable Products From Coolaroo for Shade Sails or Exterior Blinds or Umbrellas or Pet Beds Ideas, posted Jul. 27, 2017, [retrieved Mar. 27, 2018]. Retrieved from Internet, <URL: <http://www.marccharlessteakhouse.com/lovable-products-from-coolaroo-for-shade-sails-or-exterior-blinds-or-umbrellas-or-pet-beds-ideas/coolaroo-material-coolaroo-sun-shades-coolaroo/>>.

How to Remove Coolaroo Exterior Sun Shades, posted Aug. 30, 2013, [retrieved Mar. 27, 2018]. Retrieved from Internet, <URL: <https://www.youtube.com/watch?v=8GFJ2UY3fVI>>.

Roller Shade & Blackouts Installation, posted unknown, [retrieved Mar. 27, 2018]. Retrieved from Internet, <URL: <http://www.theshadedesigners.com/how-to-install/installation-rollershades-blackouts/>>.

Coolaroo Exterior Sun Shade Idle End Unit, posted unknown, [retrieved Mar. 27, 2018]. Retrieved from Internet, <URL: <https://wholesaleblindparts.com/products/copy-of-coolaroo-exterior-sun-shade-cordless-crank-kit>>.

Coolaroo, Exterior Roller Sun Shade Installation Instructions, Apr. 2012, 12 pages.

Coolaroo, Cordless Sun Shade Installation Instructions, Jun. 2013, 12 pages.

Somfy Systems, Inc., Motor Catalog, Dec. 2003 (78 pages).

Lutron Electronics Co., Inc., Sivoia QS Roller 64 Shades Specification Submittal, 2007 (16 pages).

Lutron Electronics Co., Inc., Sivoia QED Roller 20 Shades Product Specification, 2008 (14 pages).

The Shade Store Blog, “Go for the Gold, Silver, or Bronze Window Treatment Hardware”, posted Aug. 1, 2012 [retrieved Aug. 21, 2019]. Retrieved from Internet, <URL: <https://www.theshadestore.com/blog/go-for-the-gold-silver-or-bronze-window-treatment-hardware/>>.

The Shade Store Blog, “How to Hang Roller Shades: Regular or Reverse Roll”, posted Sep. 19, 2016 [retrieved Aug. 21, 2019]. Retrieved from Internet, <URL: <https://www.theshadestore.com/blog/how-to-hang-roller-shades/>>.

Geigtech East Bay LLC v. Lutron Electronics Co., Inc., U.S. District Court for the Southern District of New York, Complaint (including Exhibits A & B), Case No. 1:18-cv-05290-CM, filed Jun. 12, 2018, 97 pages.

(56)

References Cited

OTHER PUBLICATIONS

Spectrum White Plastic Wall Mount Folding Paper Towel Holder, Amazon.com. Oct. 2, 2001. Accessed on Jun. 16, 2019. (Year: 2001).

Aura Shading by Tillys Interiors Ltd. Accessed on Jun. 16, 2019. (Year: 2019).

Ambio Roller Shades by Altex Window Fashions. Accessed on Jun. 14, 2019. (Year: 2019).

U.S. Appl. No. 29/602,208, filed Apr. 28, 2017 (unpublished).

* cited by examiner

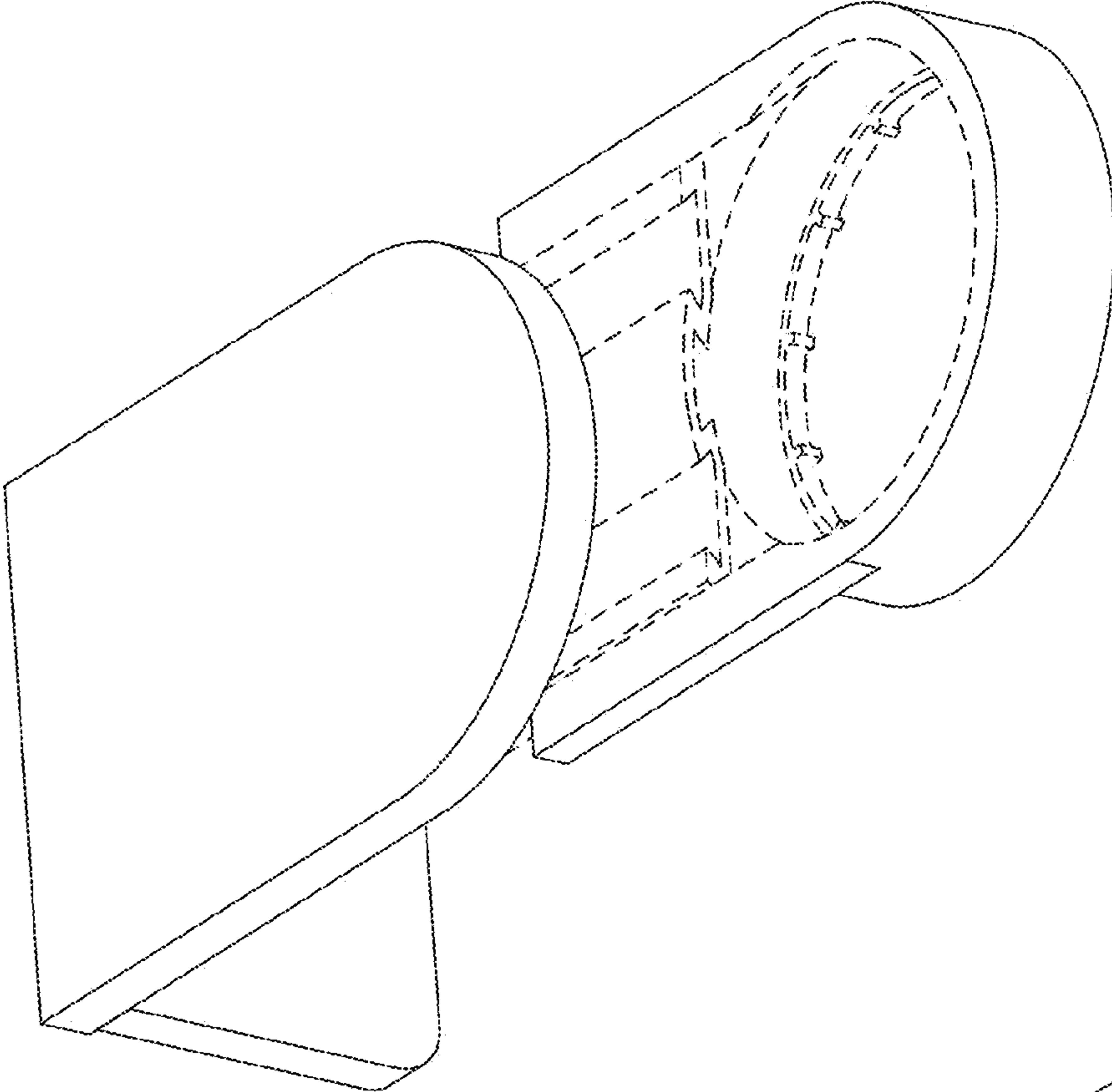


FIG. 1

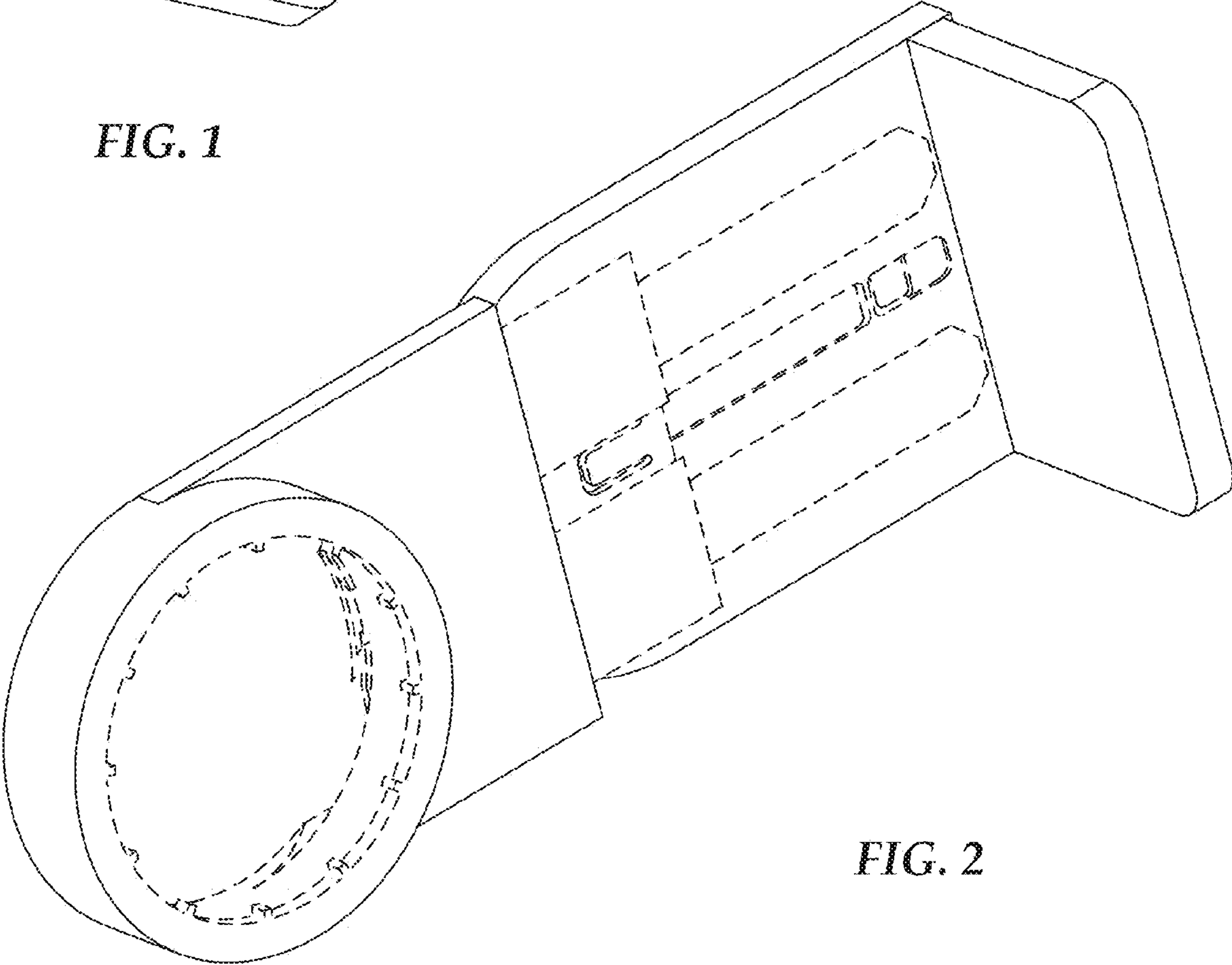


FIG. 2

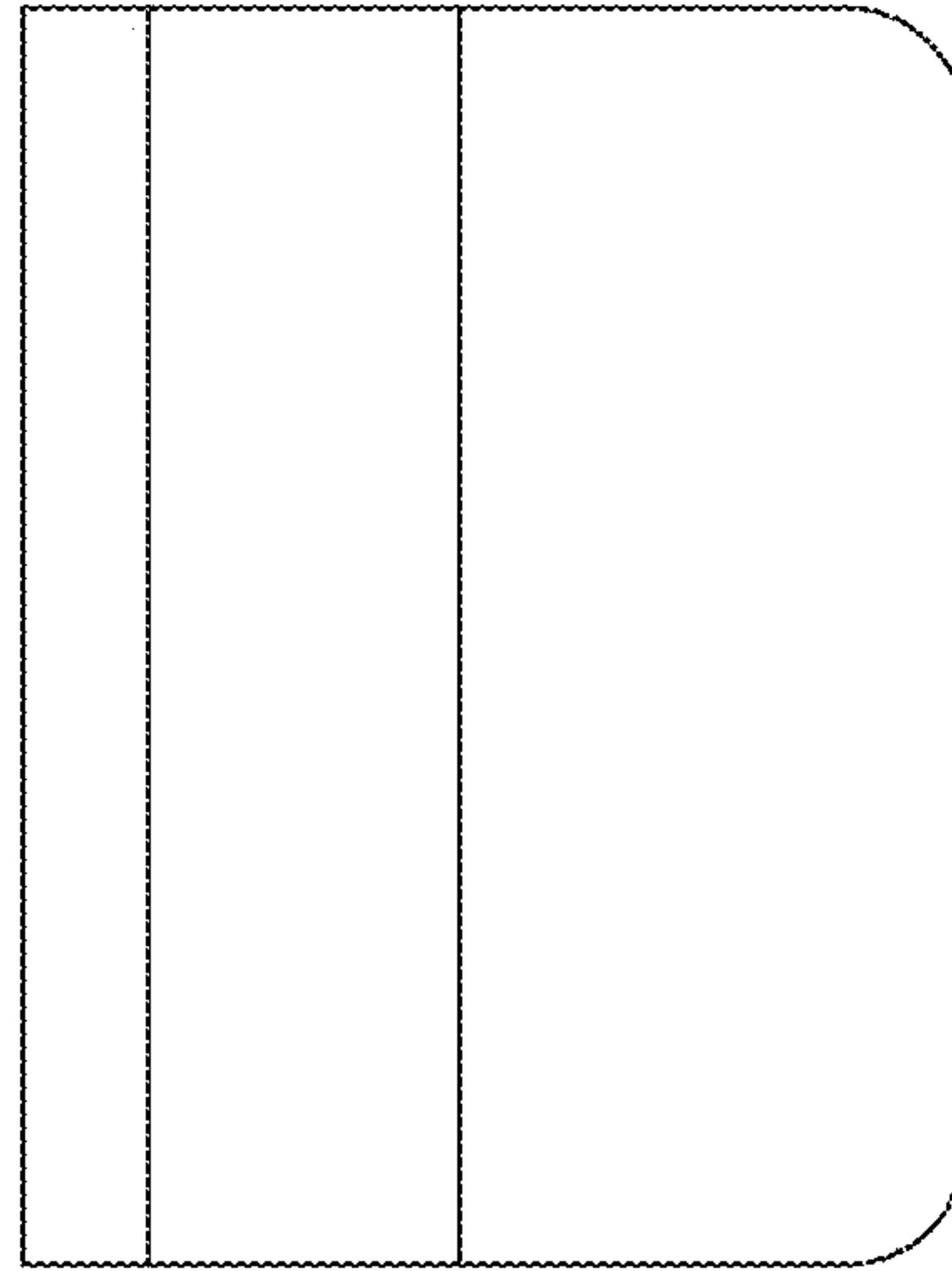


FIG. 3

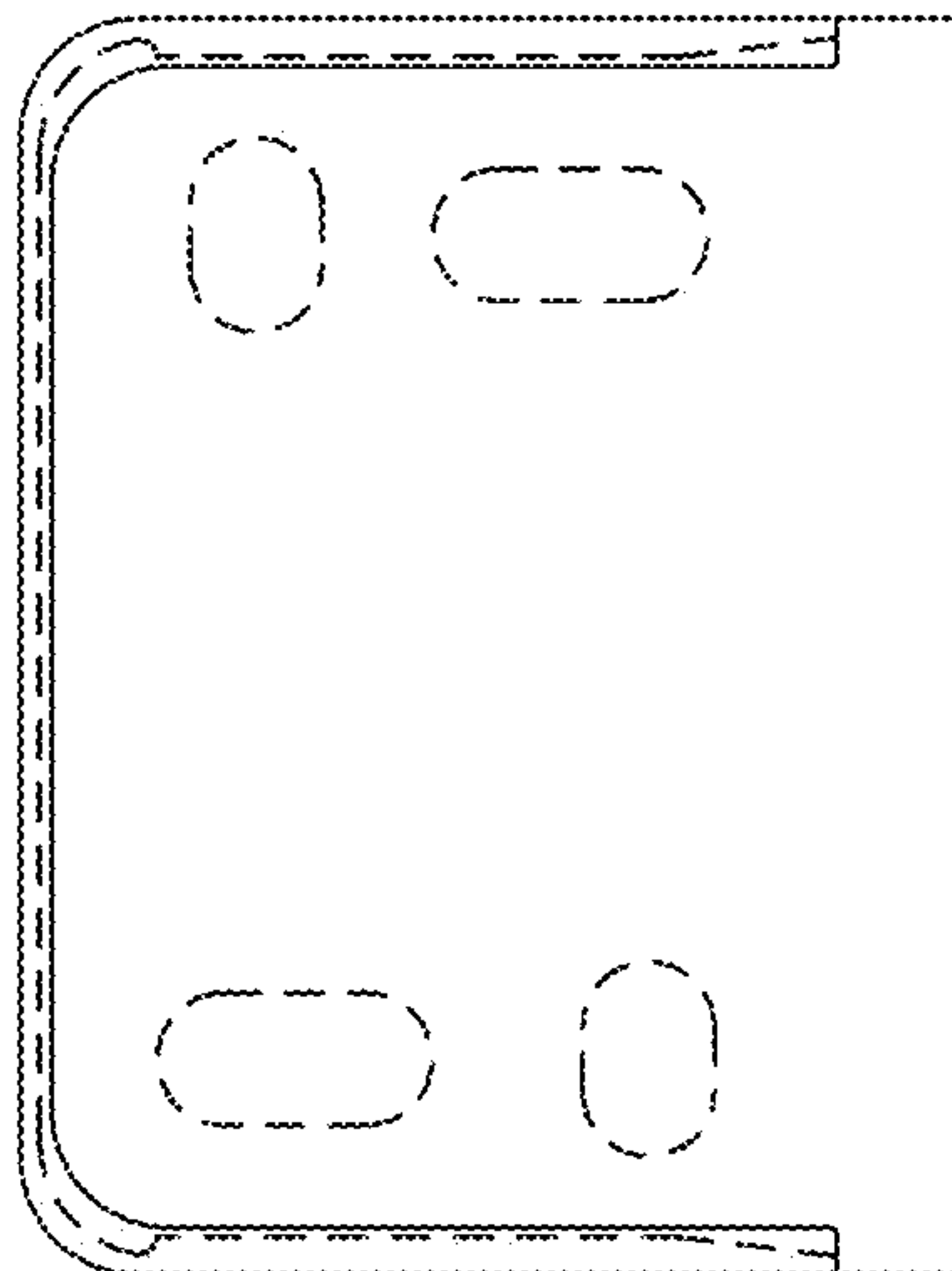


FIG. 4

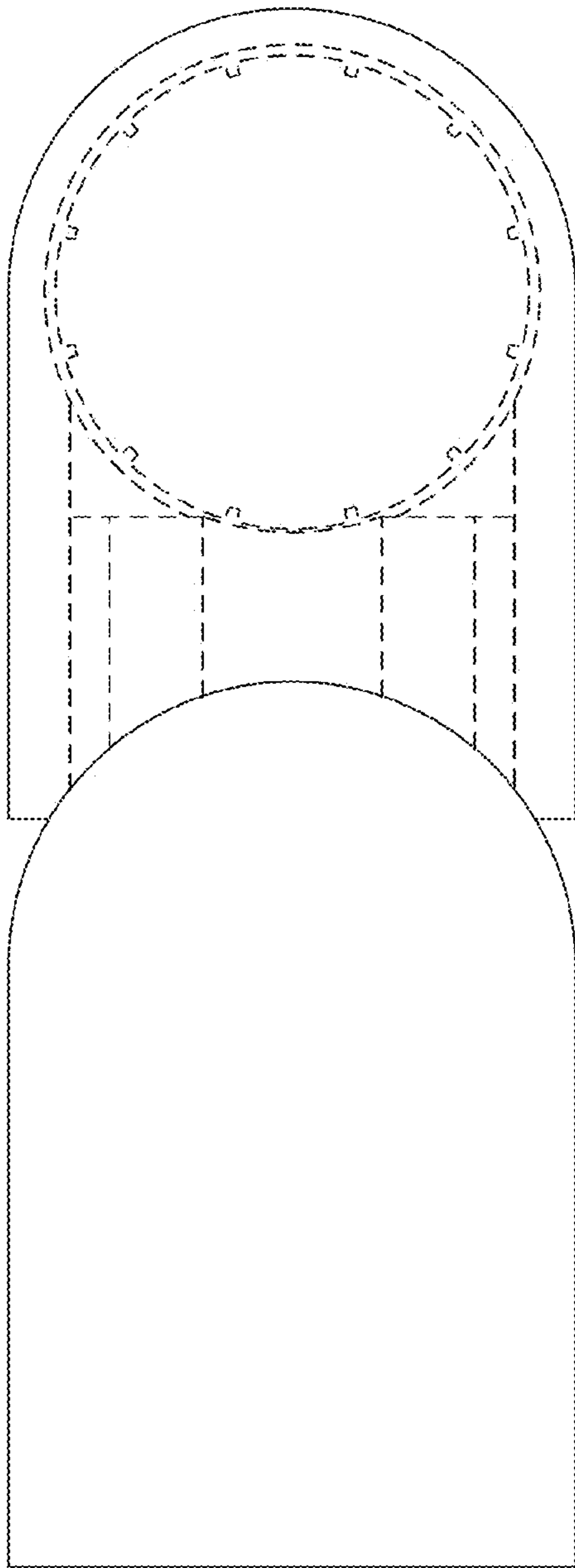


FIG. 5

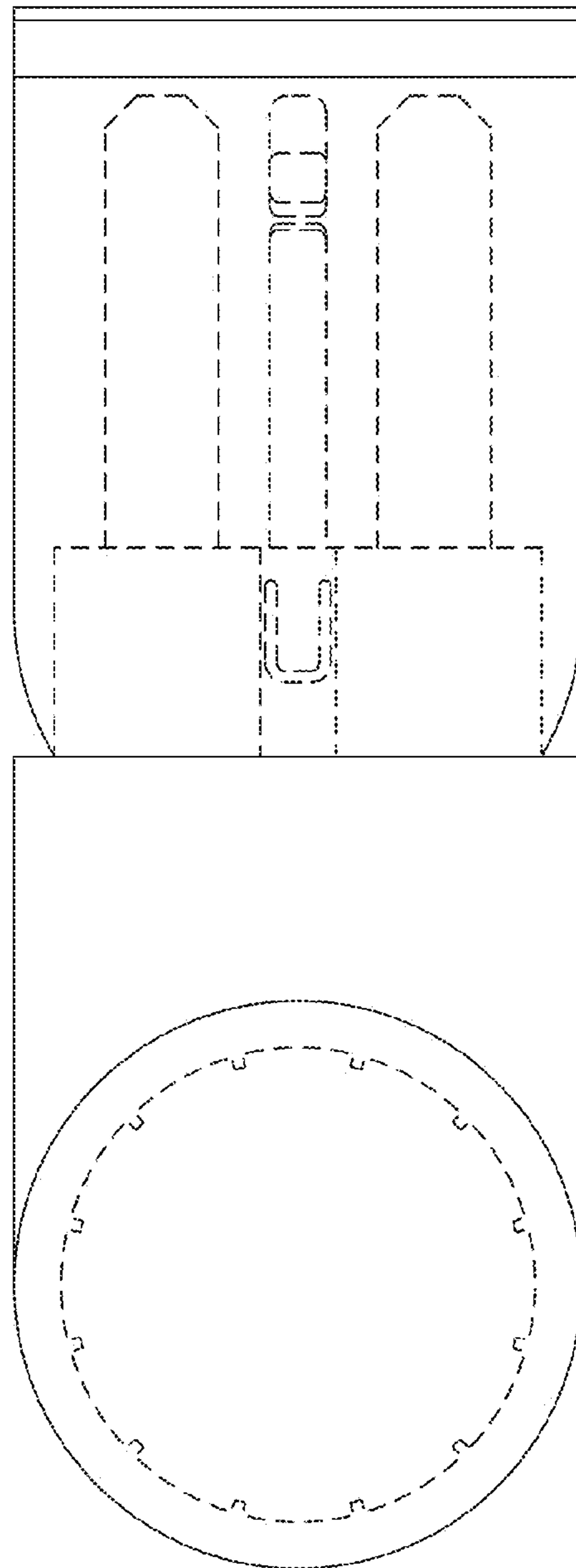


FIG. 6

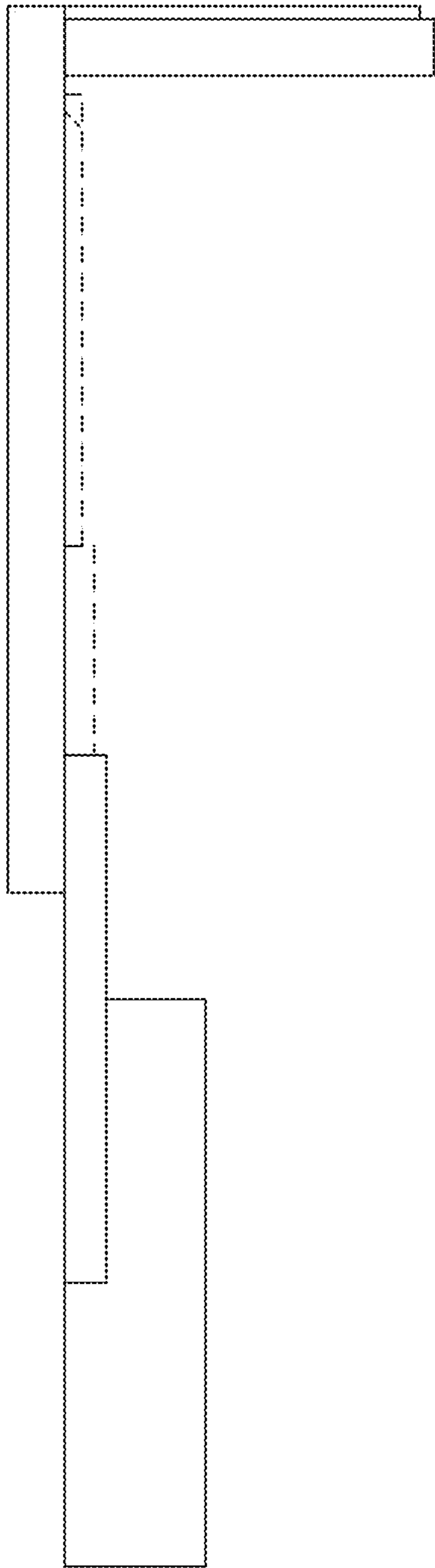


FIG. 7

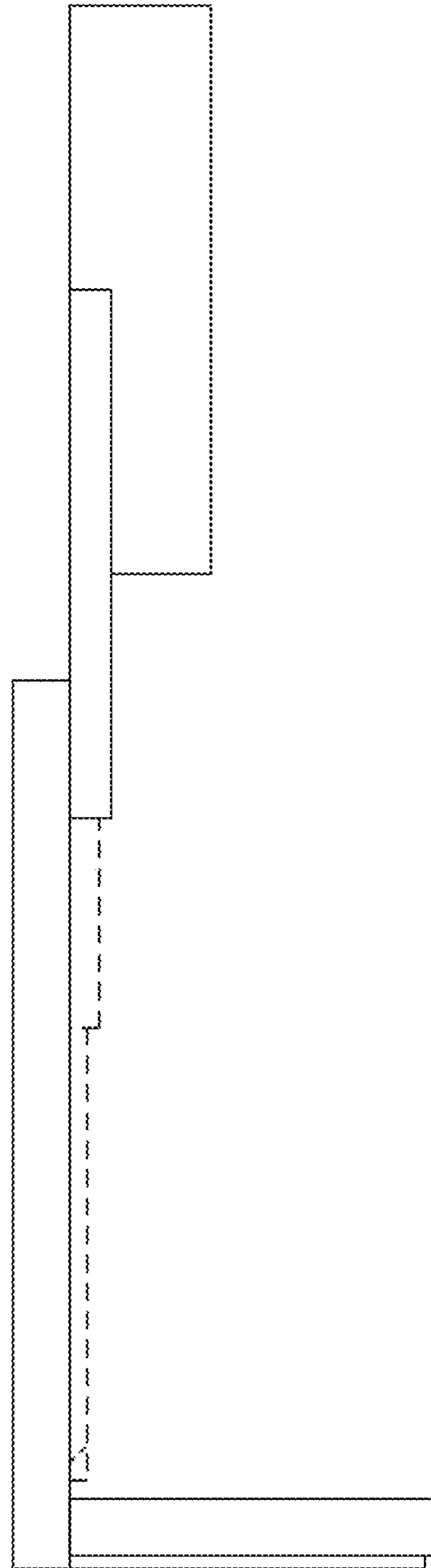


FIG. 8