



US00D953146S

(12) **United States Design Patent**  
**Kralik**

(10) **Patent No.:** **US D953,146 S**  
(45) **Date of Patent:** **\*\* May 31, 2022**

- (54) **COGGED MOUNTING KNUCKLE ASSEMBLY**
- (71) Applicant: **Western Technology, Inc.**, Bremerton, WA (US)
- (72) Inventor: **Michael Kralik**, Draper, UT (US)
- (73) Assignee: **Western Technology, Inc.**, Bremerton, WA (US)

(\*\*) Term: **15 Years**

(21) Appl. No.: **29/758,768**

(22) Filed: **Nov. 18, 2020**

(51) **LOC (13) Cl.** ..... **08-05**

(52) **U.S. Cl.**  
USPC ..... **D8/349**

(58) **Field of Classification Search**  
USPC ..... D8/349, 354, 355  
CPC .... F16M 11/048; F16M 11/10; F16M 11/103;  
F16M 11/121; F16M 11/18; F16C 11/103;  
Y10T 403/32368; Y10T 403/32049; Y10T  
403/32008  
See application file for complete search history.

(56) **References Cited**

**U.S. PATENT DOCUMENTS**

- 3,638,973 A 2/1972 Peletti
- 4,050,661 A \* 9/1977 Wooldridge ..... G01B 5/0004  
248/285.1
- 4,115,966 A \* 9/1978 DeLee ..... G09F 7/18  
40/606.15
- D274,498 S \* 7/1984 Ash ..... D8/349
- D330,555 S \* 10/1992 Lilly ..... D14/238
- D337,333 S \* 7/1993 Turk ..... D8/355
- 5,405,347 A \* 4/1995 Lee ..... A61B 17/6416  
403/53
- 5,547,305 A \* 8/1996 Treche ..... F16C 11/10  
439/480
- 5,564,852 A \* 10/1996 Maxwell ..... H01R 11/14  
81/53.11

- 5,761,844 A \* 6/1998 Horschel ..... A01K 97/10  
248/292.12
- 5,957,421 A 9/1999 Barbour
- 5,964,439 A \* 10/1999 Johnson ..... A61G 5/10  
248/278.1
- 6,079,682 A \* 6/2000 Olkkola ..... B60R 11/0241  
248/292.12
- 6,093,878 A \* 7/2000 Hoshino ..... G10D 13/063  
84/421

(Continued)

**FOREIGN PATENT DOCUMENTS**

WO WO 2016/124860 A1 8/2016

**OTHER PUBLICATIONS**

Rozetka.; "AGS Magic Arm Swivel." Retrieved from <https://rozetka.com.ua/ua/tripods/c80075/>; on Feb. 10, 2020; 2 Pages.

*Primary Examiner* — Mark A Goodwin  
(74) *Attorney, Agent, or Firm* — Thorpe North and Western LLP

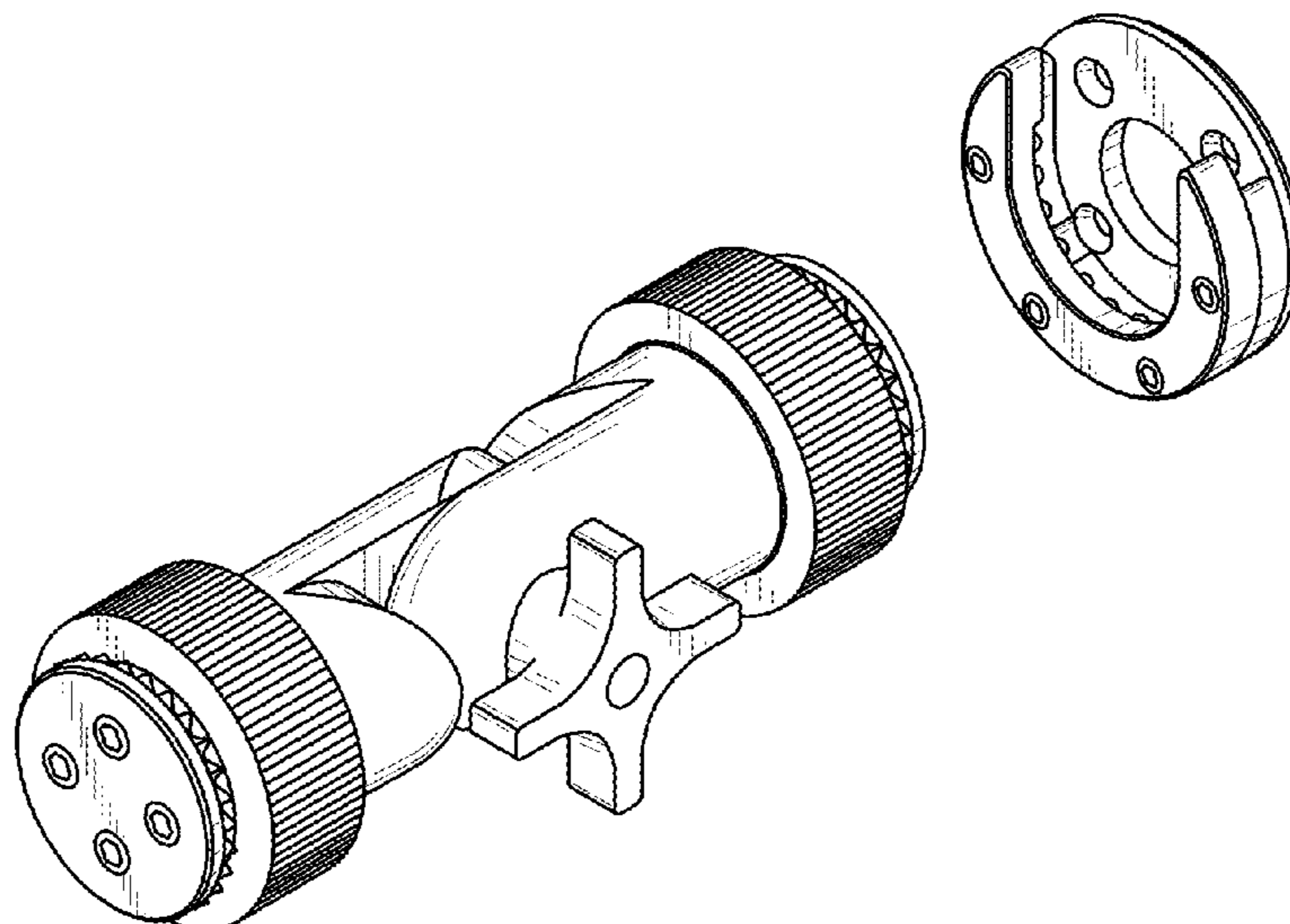
(57) **CLAIM**

The ornamental design for a cogged mounting knuckle assembly, as shown and described.

**DESCRIPTION**

FIG. 1 is a disassembled top left perspective view of a cogged mounting knuckle assembly in accordance with my invention;  
FIG. 2 is a disassembled bottom left perspective view thereof;  
FIG. 3 is a front view thereof;  
FIG. 4 is a back view thereof  
FIG. 5 is a top view thereof;  
FIG. 6 is a bottom view thereof;  
FIG. 7 is a left view thereof; and,  
FIG. 8 is a right view thereof.

**1 Claim, 3 Drawing Sheets**



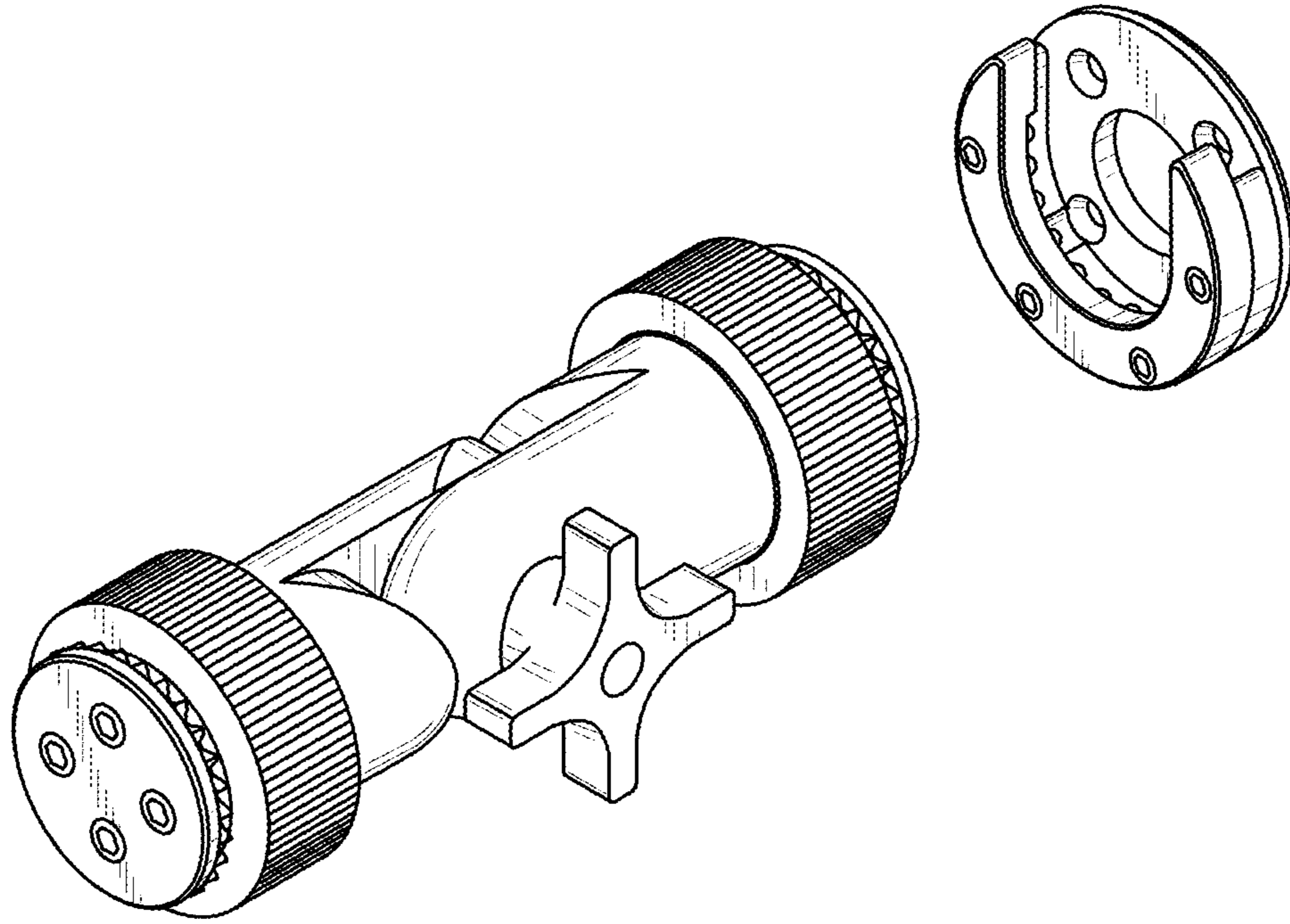
(56)

**References Cited**

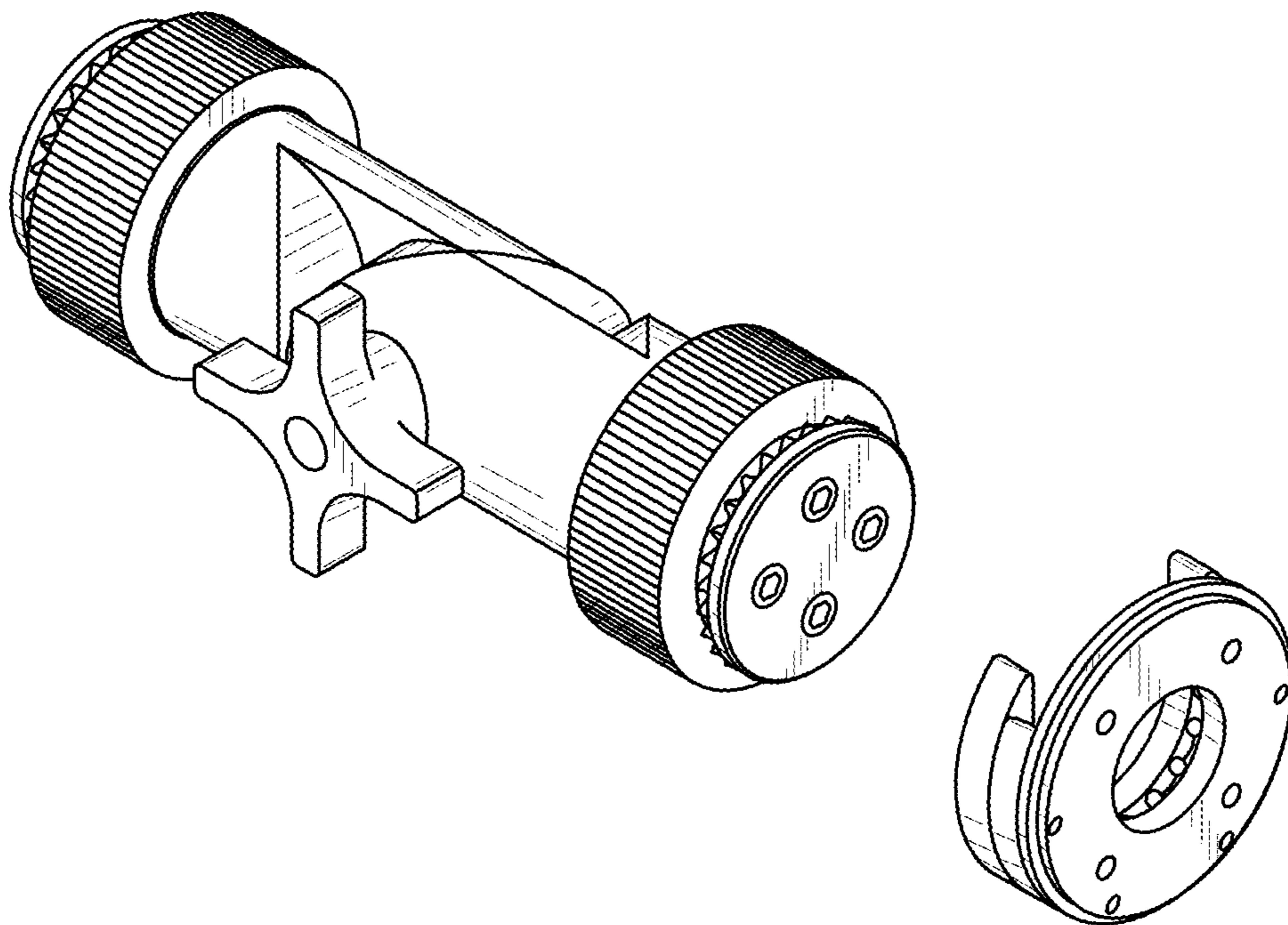
U.S. PATENT DOCUMENTS

D439,135	S *	3/2001	Elmer	.....	D8/349
6,582,147	B1 *	6/2003	Pursiheimo	.....	F16M 11/18
					403/97
6,863,252	B2 *	3/2005	Bosson	.....	F16M 11/041
					248/278.1
6,886,852	B2 *	5/2005	Cheng	.....	B62B 1/045
					280/DIG. 6
D609,552	S *	2/2010	Anderson	.....	D8/349
D658,480	S *	5/2012	Pratt	.....	D8/349
8,640,998	B2	2/2014	Lau et al.		
8,753,030	B2 *	6/2014	Leonhardt	.....	F16M 11/10
					403/114
8,936,223	B1 *	1/2015	McGrath	.....	F16C 11/103
					248/220.21
9,121,436	B2	9/2015	Hahner		
9,791,097	B2	10/2017	Bowman et al.		
D863,936	S *	10/2019	Pratt	.....	D8/349
D885,866	S *	6/2020	Chapman	.....	D8/349
D885,867	S *	6/2020	Chapman	.....	D8/349
2006/0291951	A1 *	12/2006	Van Zile	.....	B25J 15/0052
					403/54
2012/0043448	A1 *	2/2012	Liao	.....	F16M 11/2014
					248/534
2012/0112022	A1	5/2012	Cheng		
2013/0189019	A1 *	7/2013	Kotula	.....	F16M 11/048
					403/84
2013/0228658	A1 *	9/2013	Leonhardt	.....	F16M 13/02
					248/70
2015/0102187	A1 *	4/2015	Hennessey	.....	F16M 11/10
					403/103
2018/0187828	A1	7/2018	Law et al.		

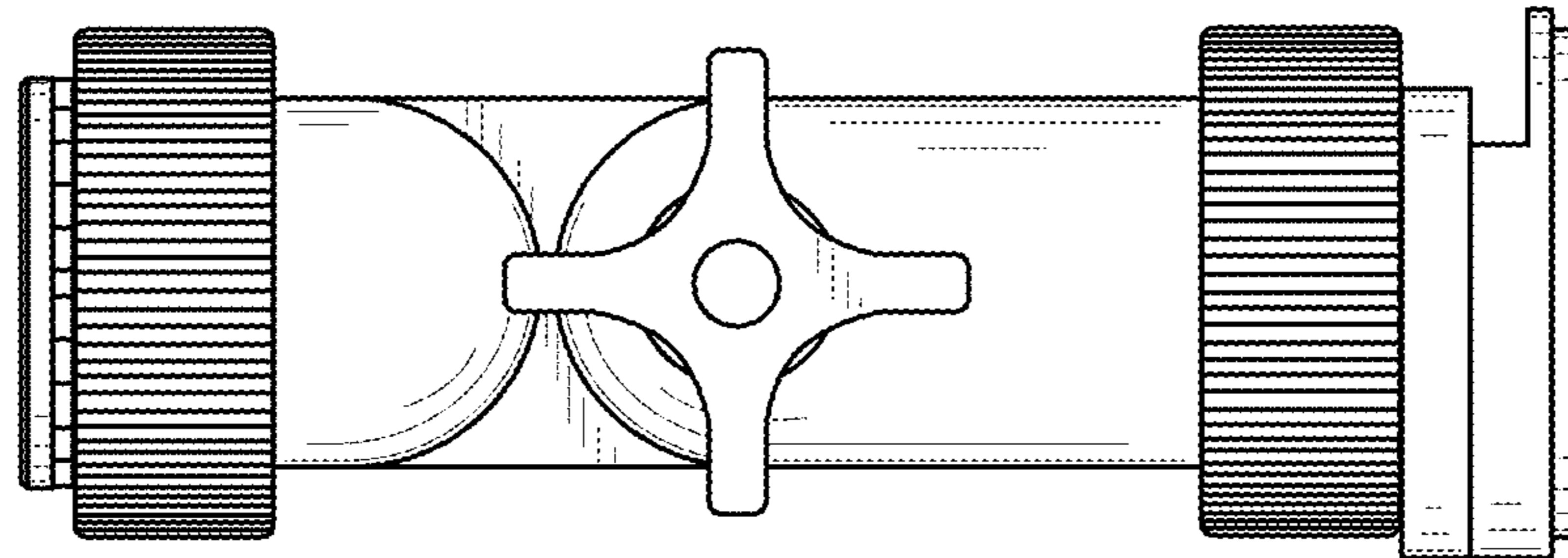
\* cited by examiner



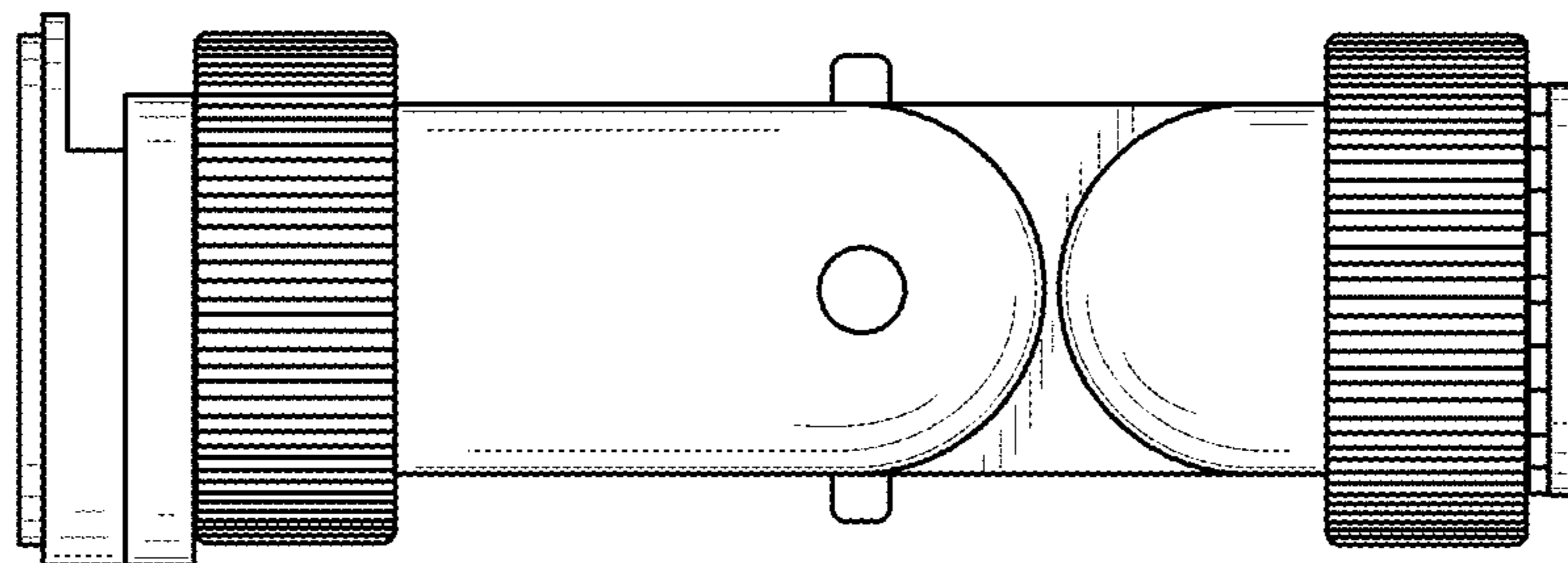
**FIG. 1**



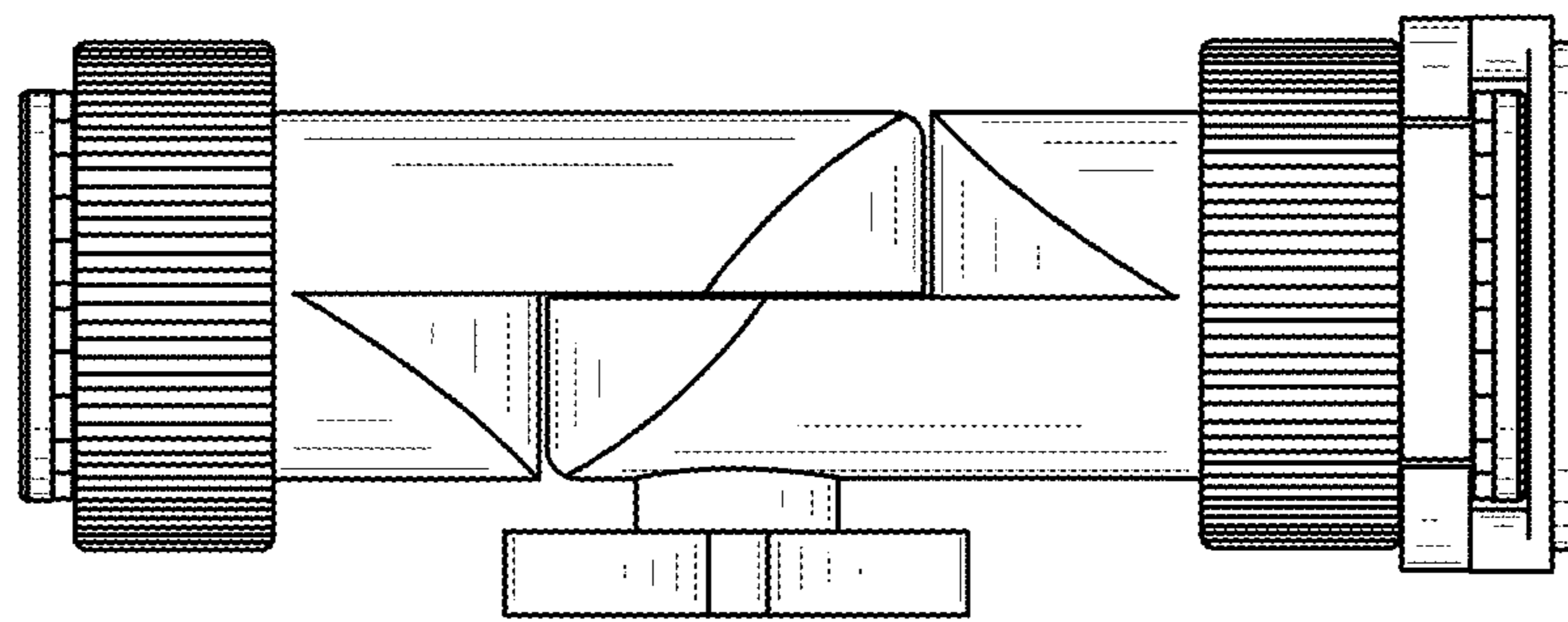
**FIG. 2**



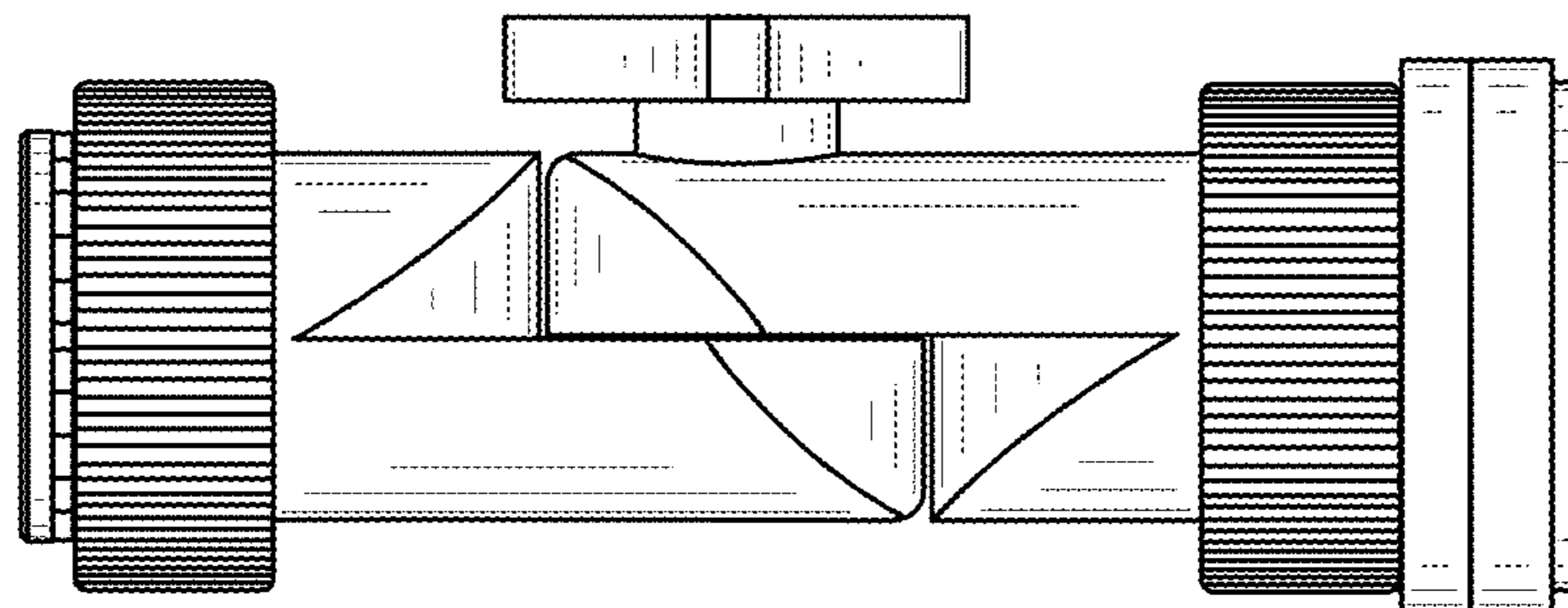
**FIG. 3**



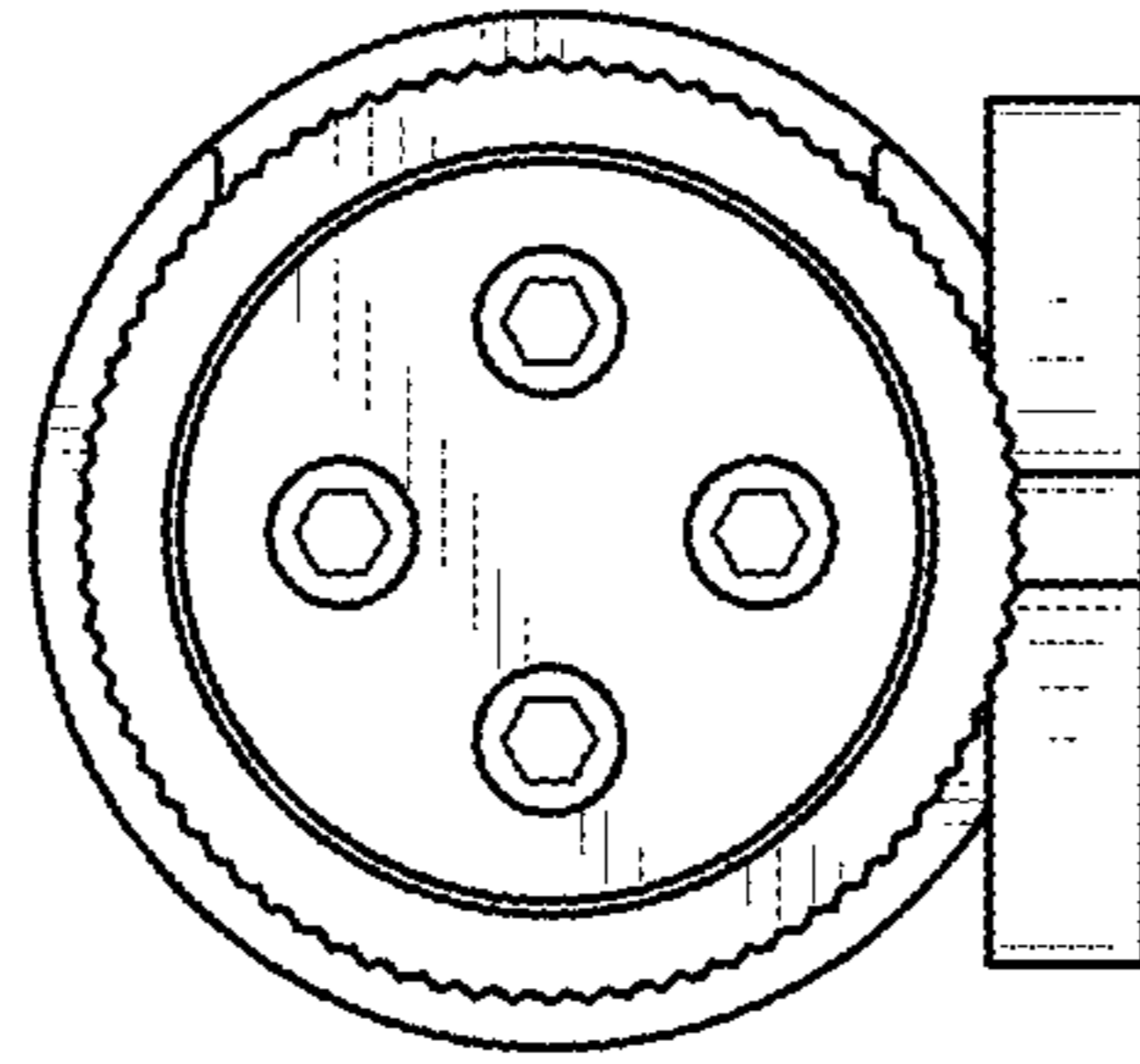
**FIG. 4**



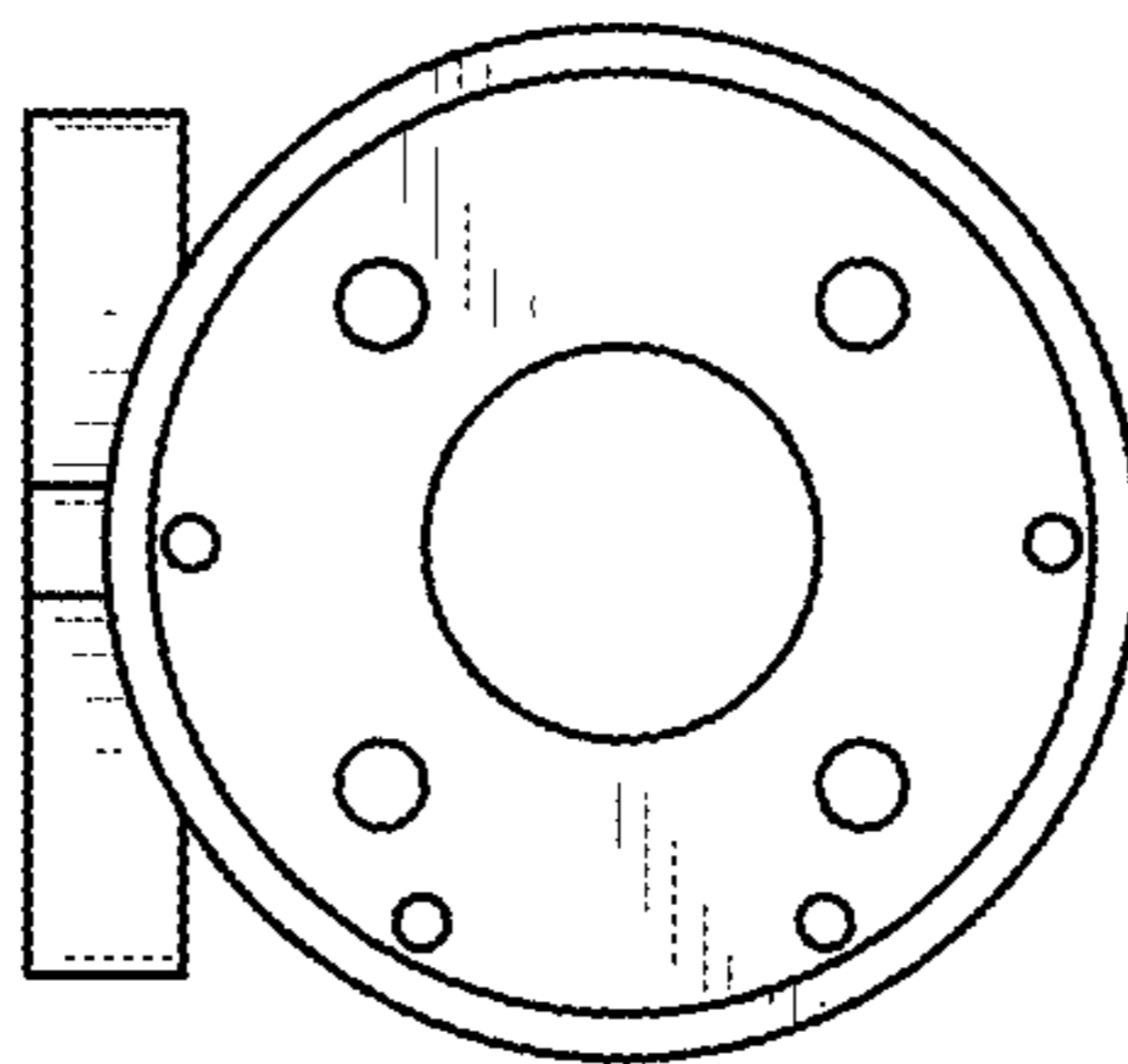
**FIG. 5**



**FIG. 6**



**FIG. 7**



**FIG. 8**