



US00D953144S

(12) **United States Design Patent**  
**Backhaus et al.**

(10) **Patent No.:** **US D953,144 S**

(45) **Date of Patent:** **\*\* May 31, 2022**

(54) **LOCKAS**

(71) Applicant: **USM U. Schärer Söhne AG,**  
Münsingen (CH)

(72) Inventors: **Dirk Backhaus,** Wetter (DE);  
**Christian Lüthi,** Münsingen (CH)

(\*\*) Term: **15 Years**

(21) Appl. No.: **35/511,609**

(22) Filed: **Sep. 23, 2020**

(80) **Hague Agreement Data**

Int. Filing Date: **Sep. 23, 2020**

Int. Reg. No.: **DM/210565**

Int. Reg. Date: **Sep. 23, 2020**

Int. Reg. Pub. Date: **Mar. 26, 2021**

(51) **LOC (13) Cl.** ..... **08-07**

(52) **U.S. Cl.**  
USPC ..... **D8/331**

(58) **Field of Classification Search**  
USPC ..... D8/330, 331, 343, 300, 301, 307, 312,  
D8/310

CPC ..... E05B 3/003; E05B 41/00  
See application file for complete search history.

(56) **References Cited**

**U.S. PATENT DOCUMENTS**

D253,686 S \* 12/1979 Wooldridge ..... D8/312  
D435,210 S \* 12/2000 Hussaini ..... D8/310  
D471,428 S \* 3/2003 Mirick ..... D8/331  
D520,861 S \* 5/2006 Jornod ..... D8/343

D668,928 S \* 10/2012 Butan ..... D8/312  
D709,754 S \* 7/2014 Lylyk ..... D8/331  
D733,521 S \* 7/2015 Sotes Delgado ..... D8/331  
D754,518 S \* 4/2016 Bahler ..... D8/310  
D758,168 S \* 6/2016 Gartner ..... D8/334  
D769,696 S \* 10/2016 Davis ..... D8/330  
D816,622 S \* 5/2018 Feng ..... D8/312  
D843,197 S \* 3/2019 Dempsey ..... D8/343  
D876,924 S \* 3/2020 Xie ..... D8/331  
D938,795 S \* 12/2021 Lipscomb ..... D8/90

\* cited by examiner

*Primary Examiner* — Deanna L Pratt

(57) **CLAIM**

The ornamental design for a lock, as shown and described.

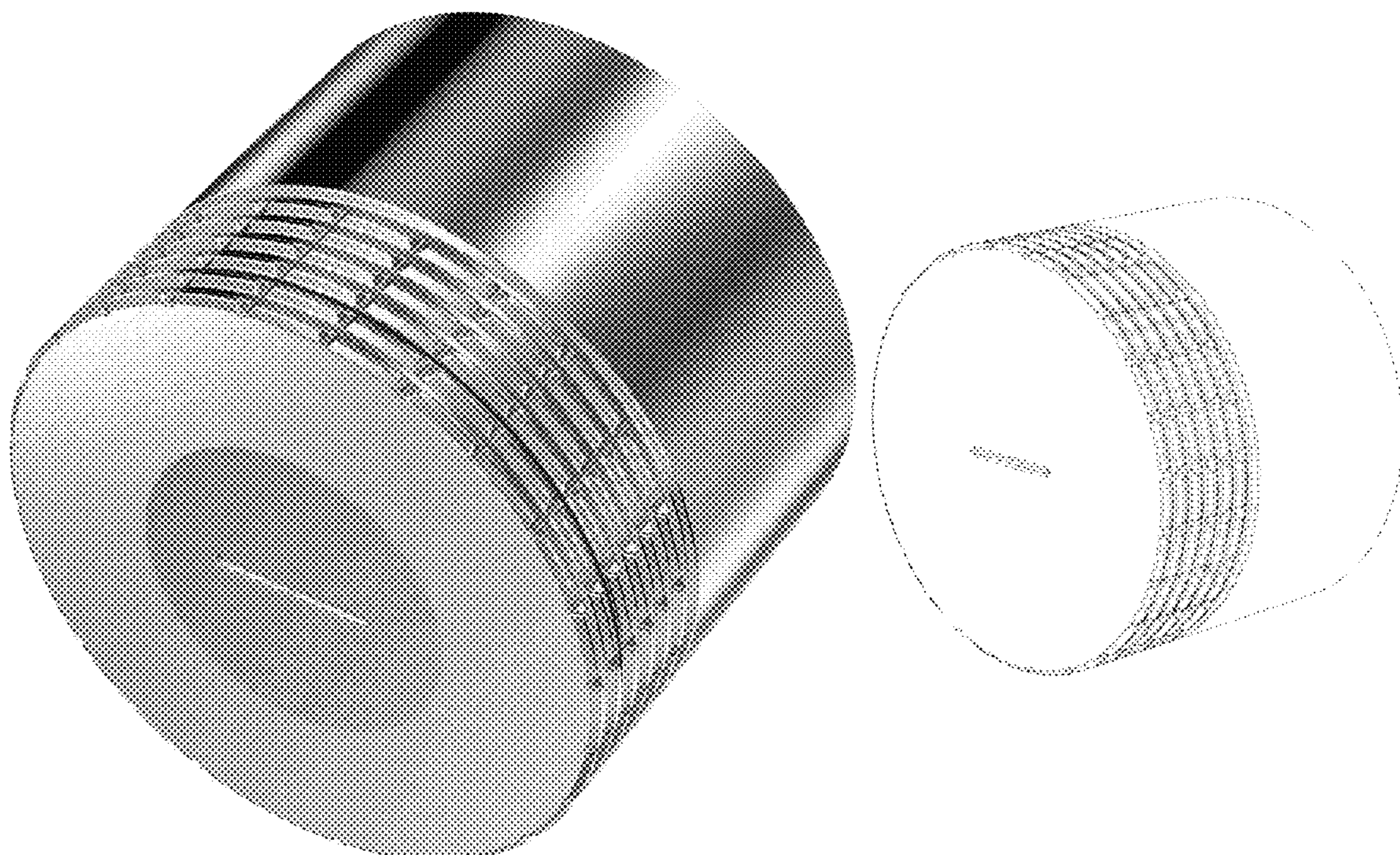
**DESCRIPTION**

The patent or application file contains at least one drawing executed in color. Copies of this patent or patent application publication with color drawing(s) will be provided by the Office upon request and payment of the necessary fee.

- 1. Lock
- 2. Lock
- 1.1 : Perspective
- 1.2 : Front
- 1.3 : Back
- 1.4 : left=right=top=bottom view
- 2.1 : Perspective
- 2.2 : Front
- 2.3 : Back
- 2.4 : left=right=top=bottom view

The blurred blue parts shown in the drawings of design 1 illustrate parts which are not subject of the design claimed.

**1 Claim, 8 Drawing Sheets**  
**(2 of 8 Drawing Sheet(s) Filed in Color)**





1.1





1.2



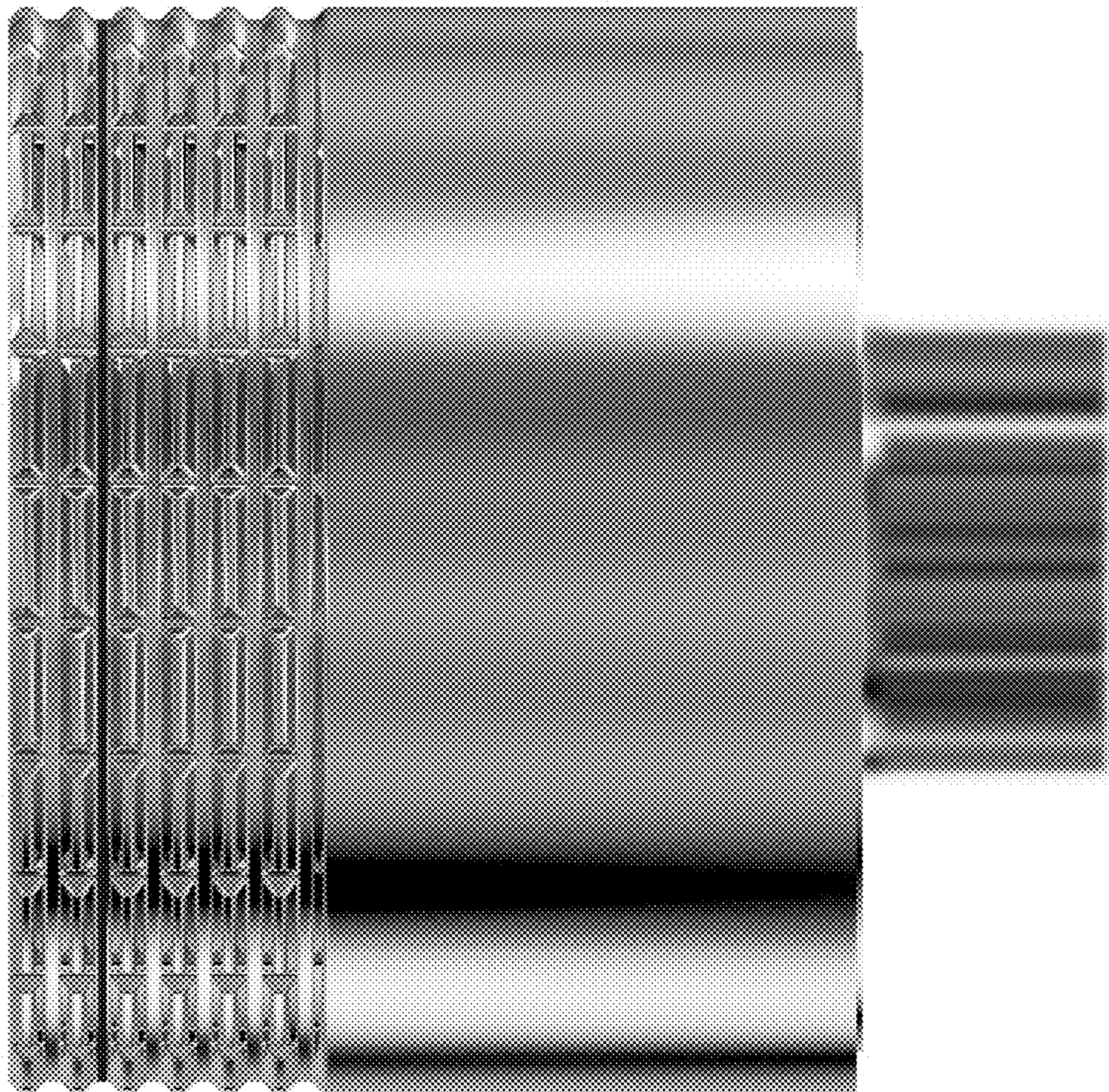


1.3

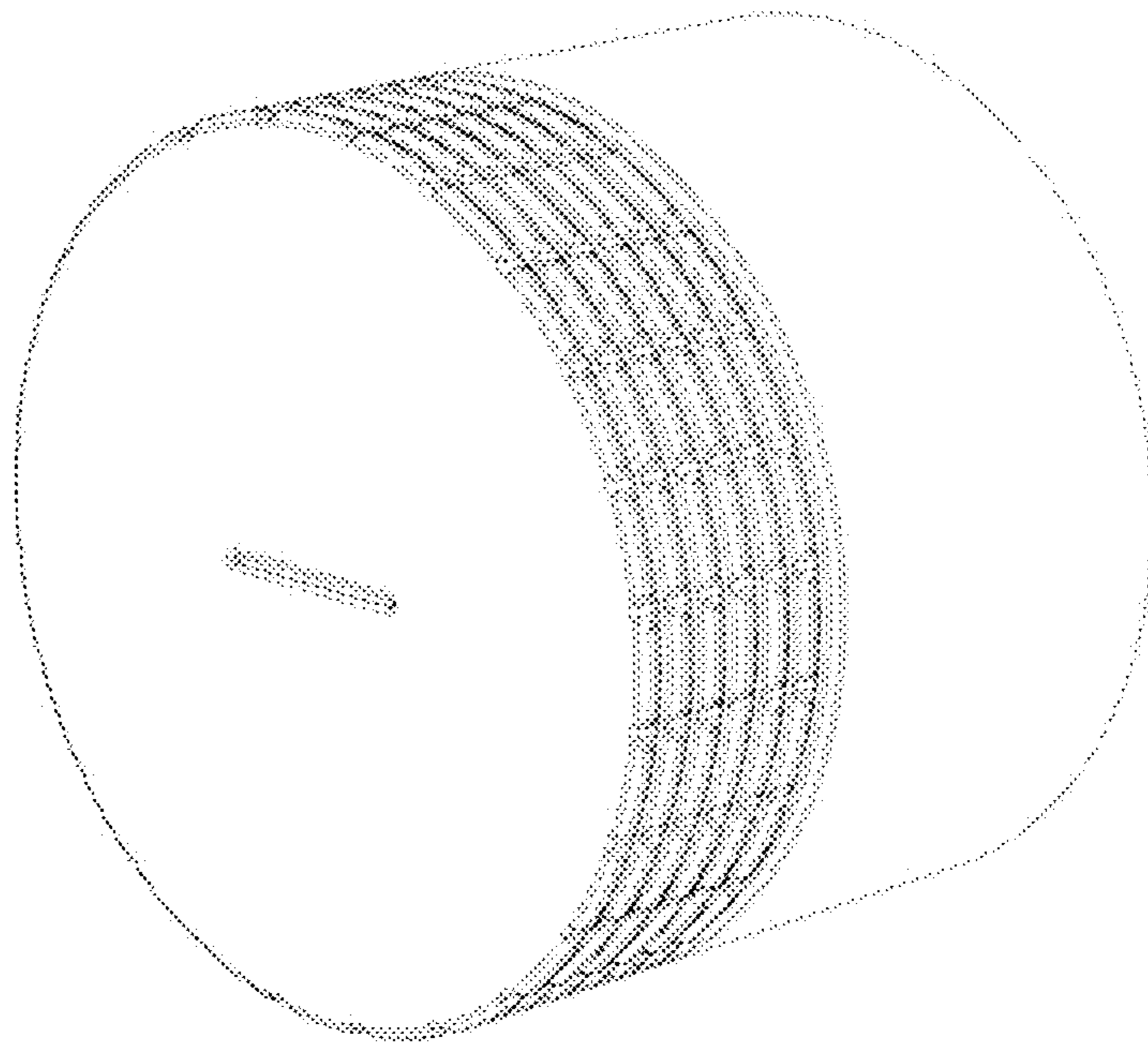




1.4

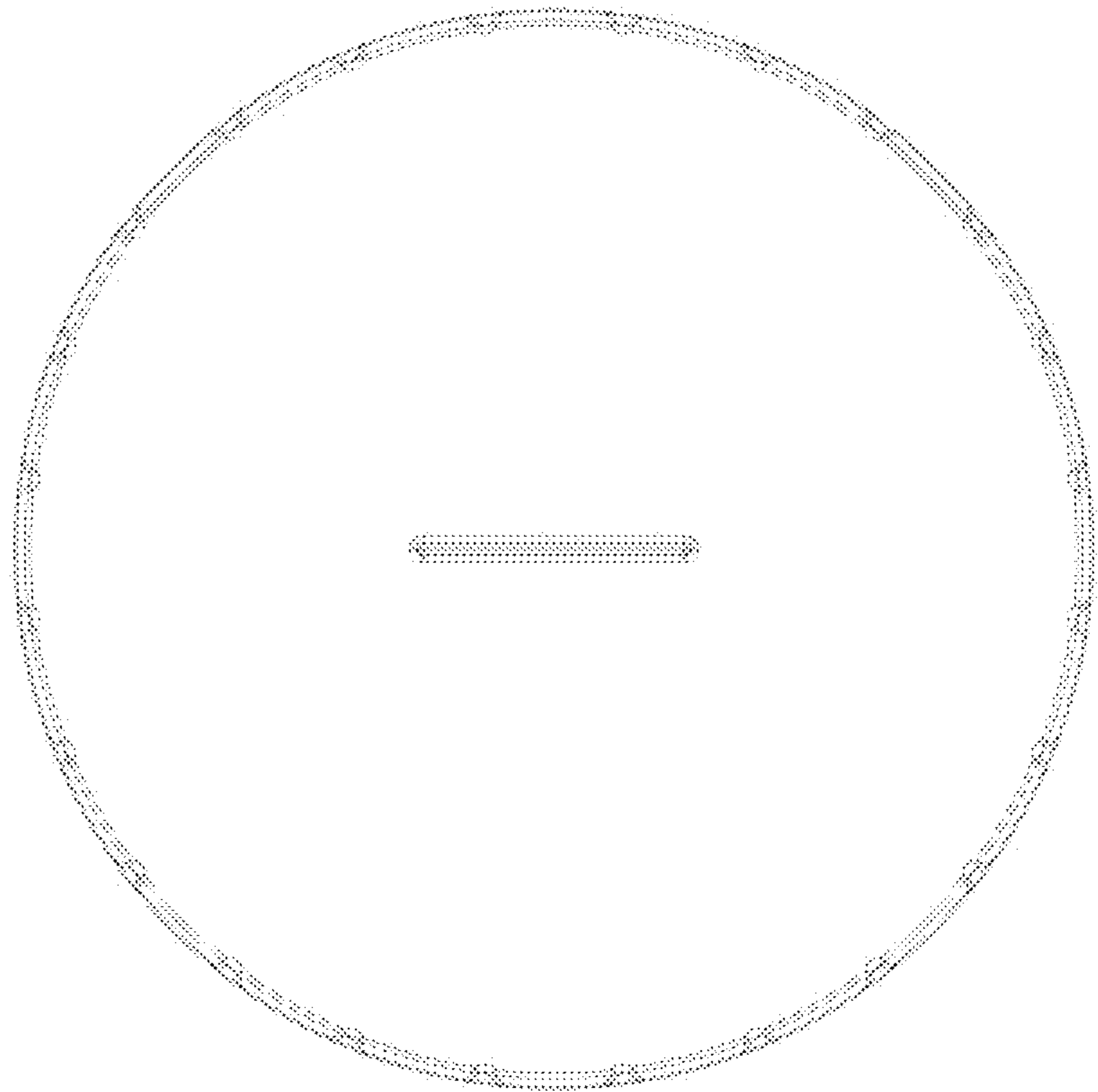


2.1

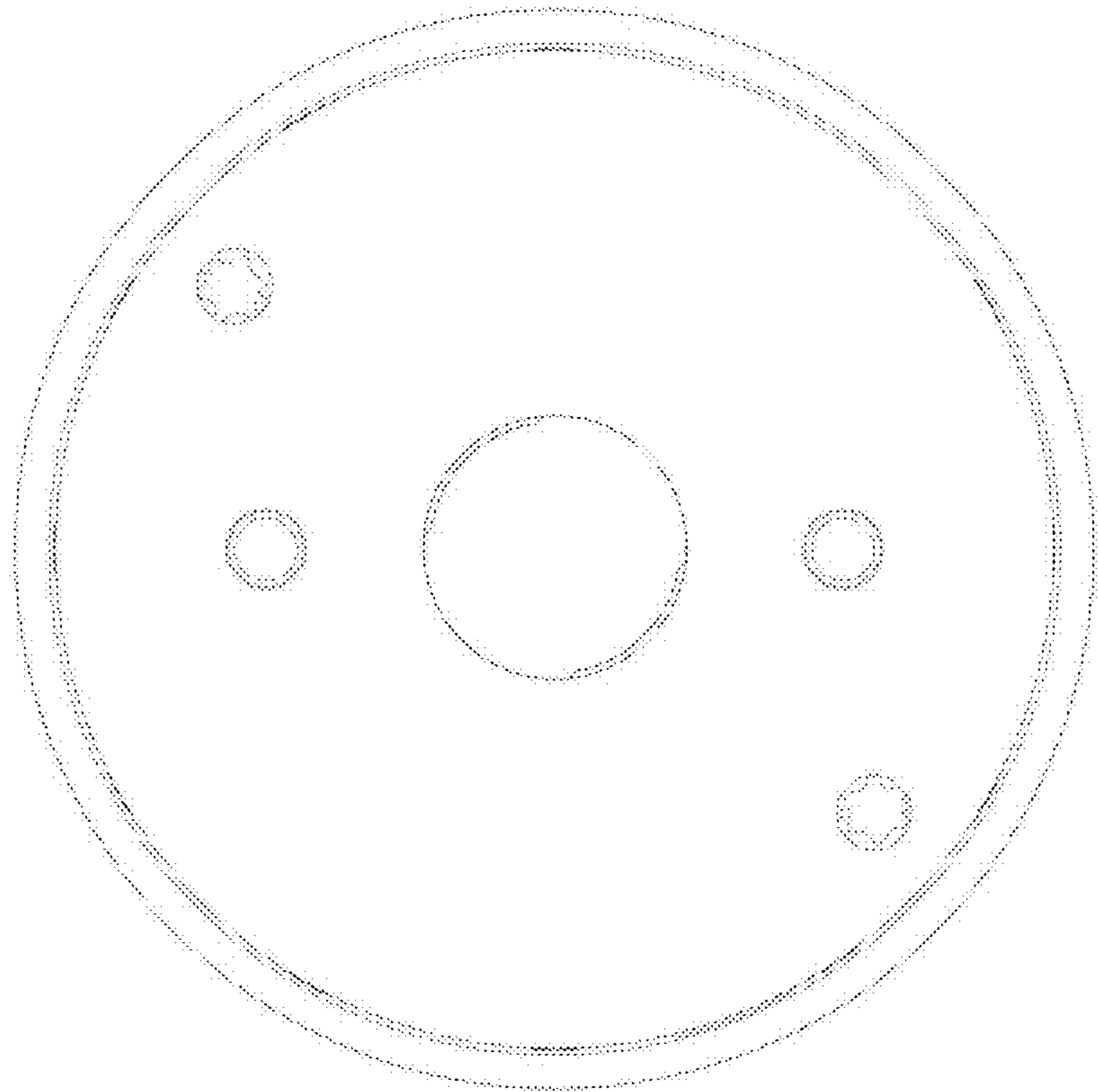




2.2



2.3





2.4

