



US00D953143S

(12) **United States Design Patent** (10) **Patent No.:** **US D953,143 S**
Stoler et al. (45) **Date of Patent:** **** May 31, 2022**

(54) **PULL**
(71) Applicant: **DELTA FAUCET COMPANY**,
Indianapolis, IN (US)
(72) Inventors: **Benjamin Stoler**, Carmel, IN (US);
Simon Elser, Indianapolis, IN (US)
(73) Assignee: **DELTA FAUCET COMPANY**,
Indianapolis, IN (US)
(**) Term: **15 Years**
(21) Appl. No.: **29/766,442**
(22) Filed: **Jan. 15, 2021**
(51) **LOC (13) Cl.** **08-06**
(52) **U.S. Cl.**
USPC **D8/316; D8/315**
(58) **Field of Classification Search**
USPC D8/315–316, 319–322
CPC A47B 95/02; Y10T 16/458; Y10T 16/462
See application file for complete search history.

D836,946 S * 1/2019 Rutgers D6/549
D878,901 S * 3/2020 Bunn D8/316
D889,243 S * 7/2020 Eads D8/316
D911,740 S * 3/2021 Spangler D6/549
D936,449 S * 11/2021 Gabbai D8/316

OTHER PUBLICATIONS

“Craftsman Style Cabinet Pull”, Jan. 21, 2013, Amazon.com, site visited Jan. 20, 2022: <https://www.amazon.com/Craftsman-Cabinet-Crafts-Prairie-Drawer/dp/B00B3TO7B0> (Year: 2013).*
“Amerock Wrought Iron Pyramid Pull”, Dec. 17, 2015, Amazon.com, site visited Jan. 20, 2022: <https://www.amazon.com/Amerock-BP4428-WI-Forgings-Wrought-Pyramid/dp/B019HSCHW4> (Year: 2015).*
“CKP Brand Drawer Pull”, Mar. 10, 2016, Amazon.com, site visited Jan. 20, 2022: <https://www.amazon.com/dp/B01F2NUTC8> (Year: 2016).*

* cited by examiner

Primary Examiner — Jack Reickel
Assistant Examiner — Michael A Kervin
(74) *Attorney, Agent, or Firm* — Nirav D. Parikh; Edgar A. Zarins

(56) **References Cited**

U.S. PATENT DOCUMENTS

D194,968 S * 4/1963 Stelma D8/317
D311,322 S * 10/1990 Jans D8/316
D315,488 S * 3/1991 Tremonti D8/316
D431,996 S * 10/2000 Short D8/316
D434,963 S * 12/2000 Short D8/316
D561,557 S * 2/2008 McConnell D8/316
D635,005 S * 3/2011 McConnell D8/316
D649,857 S * 12/2011 Mattson D8/315
D680,414 S * 4/2013 Han D8/317
D737,654 S * 9/2015 Han D8/316
D749,393 S * 2/2016 Lee D8/316
D833,252 S * 11/2018 Lowe D8/316
D833,253 S * 11/2018 Lowe D8/316
D836,944 S * 1/2019 Rutgers D6/549

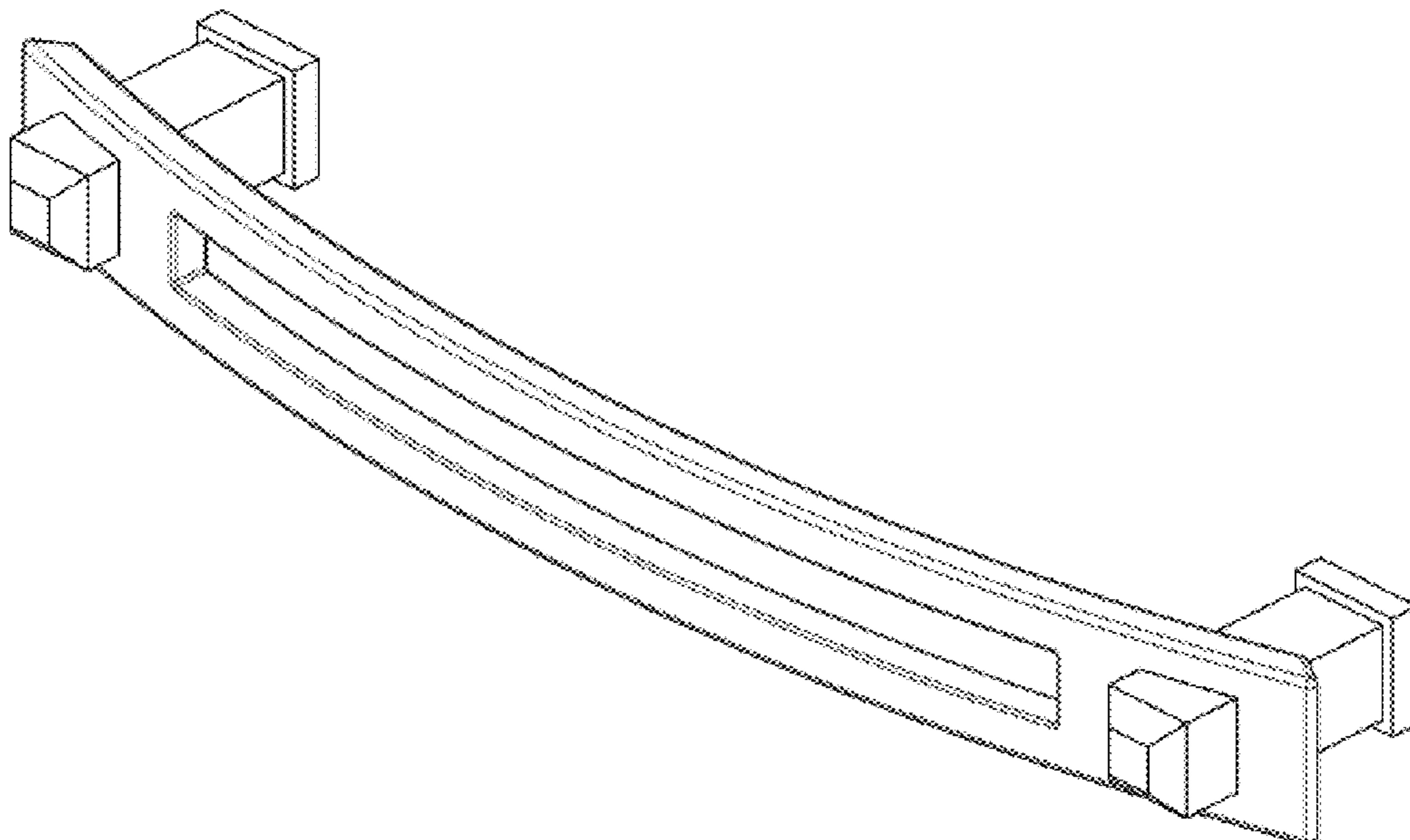
(57) **CLAIM**

The ornamental design for a pull, as shown and described.

DESCRIPTION

FIG. 1 is a front perspective view of a pull showing our new design;
FIG. 2 is a rear perspective view thereof;
FIG. 3 is a front elevational view thereof;
FIG. 4 is a left side view thereof;
FIG. 5 is a right side view thereof;
FIG. 6 is a rear view thereof;
FIG. 7 is a top plan view thereof; and,
FIG. 8 is a bottom view thereof.

1 Claim, 4 Drawing Sheets



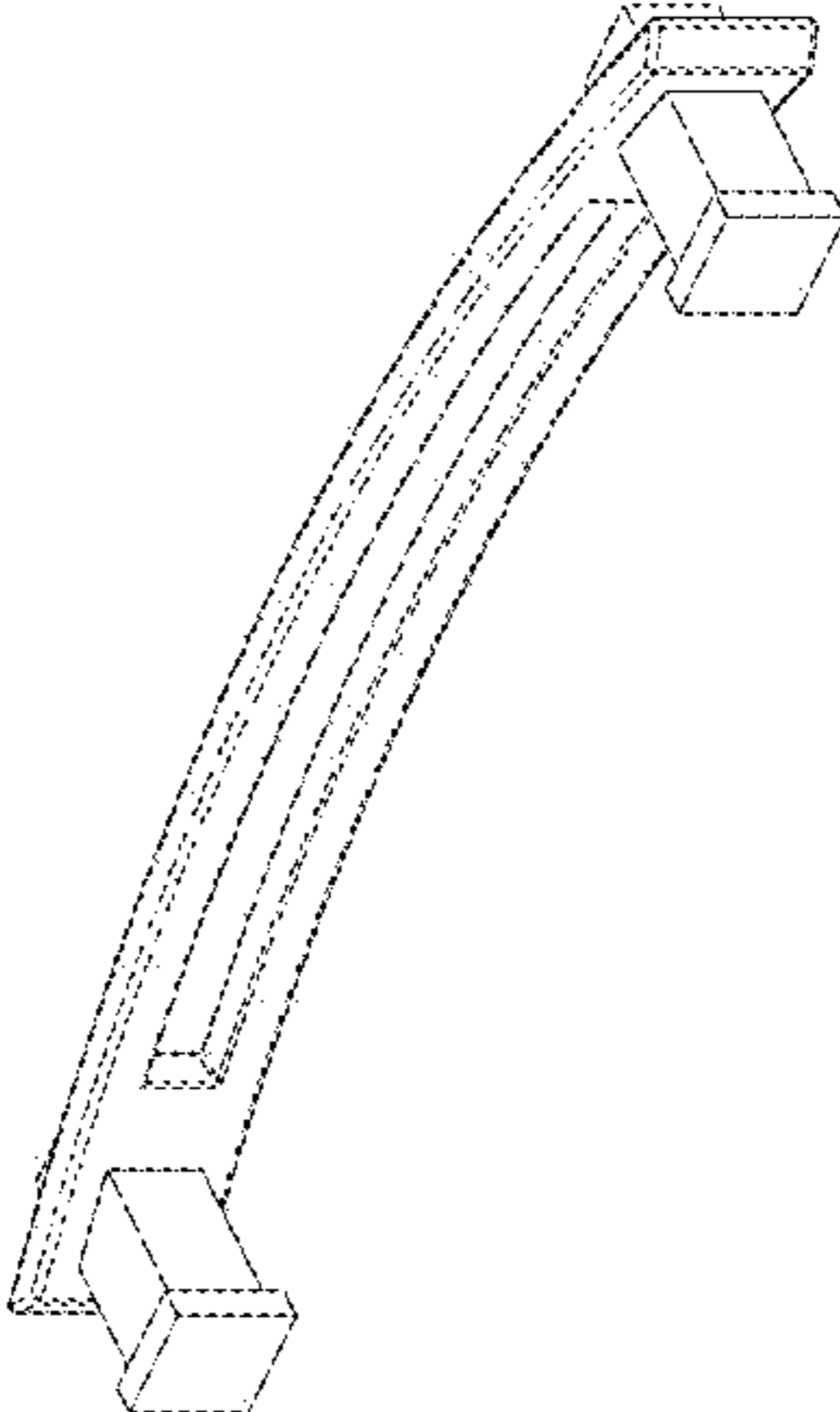


FIG - 2

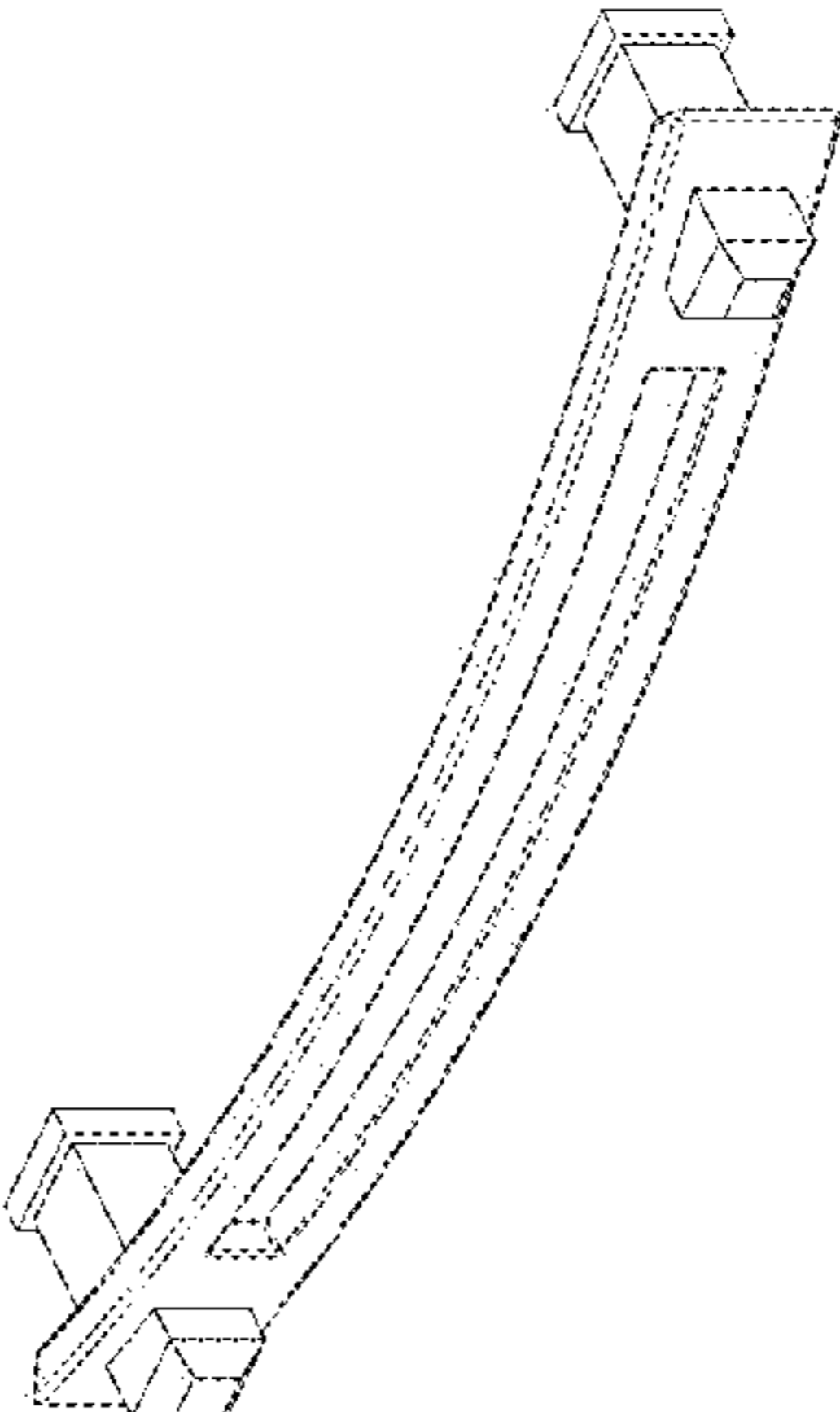


FIG - 1

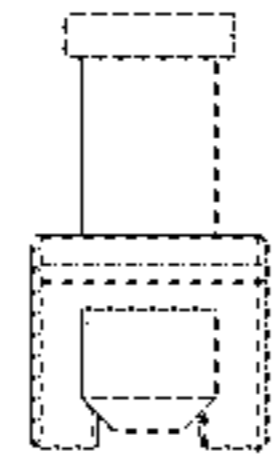


FIG - 4

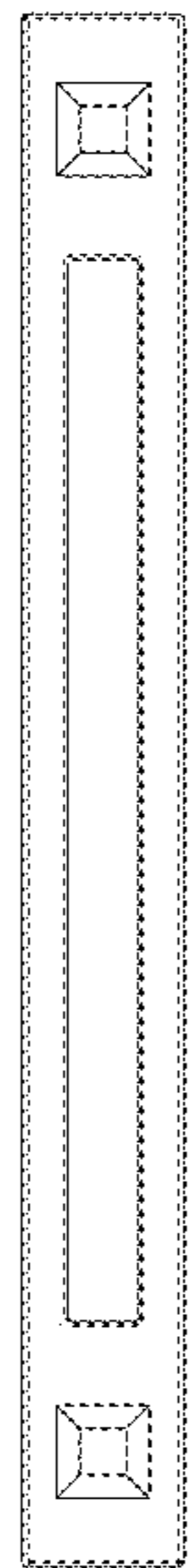


FIG - 3

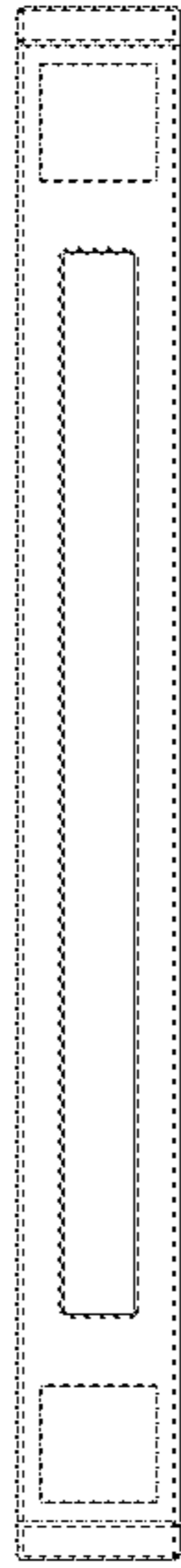


FIG - 6

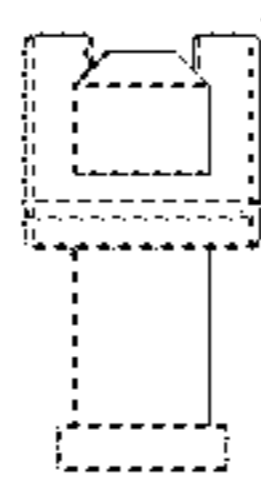


FIG - 5

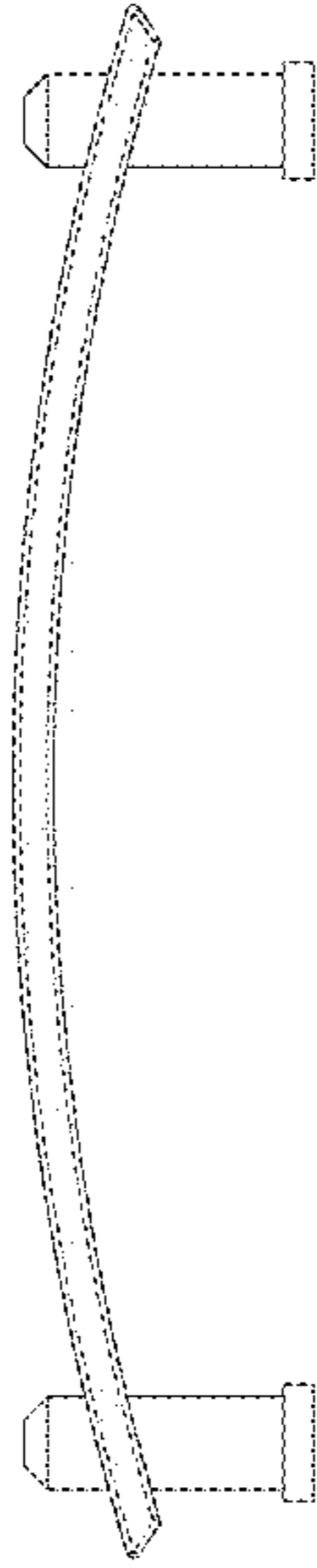


FIG - 8

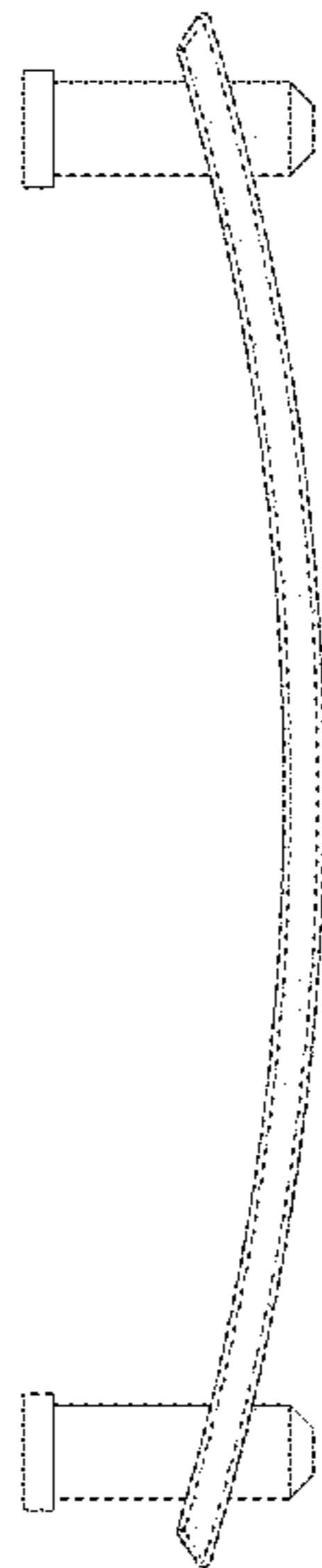


FIG - 7