



US00D953142S

(12) **United States Design Patent** (10) **Patent No.:** **US D953,142 S**
Lazarini (45) **Date of Patent:** **** May 31, 2022**

- (54) **PULL**
- (71) Applicant: **DELTA FAUCET COMPANY**,
Indianapolis, IN (US)
- (72) Inventor: **Alejandra Lazarini**, Carmel, IN (US)
- (73) Assignee: **DELTA FAUCET COMPANY**,
Indianapolis, IN (US)
- (**) Term: **15 Years**
- (21) Appl. No.: **29/759,407**
- (22) Filed: **Nov. 23, 2020**
- (51) **LOC (13) Cl.** **08-06**
- (52) **U.S. Cl.**
USPC **D8/316**
- (58) **Field of Classification Search**
USPC D8/315–316, 319–322
CPC A47B 95/02; Y10T 16/458; Y10T 16/462
See application file for complete search history.

- D889,243 S * 7/2020 Eads D8/316
- D911,740 S * 3/2021 Spangler D6/549
- D936,449 S * 11/2021 Gabbai D8/316

OTHER PUBLICATIONS

“Craftsman Style Cabinet Pull”, Jan. 21, 2013, Amazon.com, site visited Jan. 20, 2022: <https://www.amazon.com/Craftsman-Cabinet-Crafts-Prairie-Drawer/dp/B00B3TO7B0> (Year: 2013).*

“Amerock Wrought Iron Pyramid Pull”, Dec. 17, 2015, Amazon.com, site visited Jan. 20, 2022: <https://www.amazon.com/Amerock-BP4428-WI-Forgings-Wrought-Pyramid/dp/B019HSCHW4> (Year: 2015).*

“Brainerd Glass Rectangular Handle Cabinet Pull”, Dec. 27, 2018, Amazon.com, site visited Jan. 20, 2022: <https://www.amazon.com/Brainerd-Fashion-Center-Rectangular-Cabinet/dp/B07MNXQ16P> (Year: 2018).*

* cited by examiner

Primary Examiner — Jack Reickel
Assistant Examiner — Michael A Kervin
 (74) *Attorney, Agent, or Firm* — Nirav D. Parikh; Edgar A. Zarins

(56) **References Cited**

U.S. PATENT DOCUMENTS

- D194,968 S * 4/1963 Stelma D8/317
- D311,322 S * 10/1990 Jans D8/316
- D315,488 S * 3/1991 Tremonti D8/316
- D431,996 S * 10/2000 Short D8/316
- D434,963 S * 12/2000 Short D8/316
- D561,557 S * 2/2008 McConnell D8/316
- D635,005 S * 3/2011 McConnell D8/316
- D680,414 S * 4/2013 Han D8/317
- D737,654 S * 9/2015 Han D8/316
- D749,393 S * 2/2016 Lee D8/316
- D833,253 S * 11/2018 Lowe D8/316
- D836,944 S * 1/2019 Rutgers D6/549
- D836,946 S * 1/2019 Rutgers D6/549
- D878,901 S * 3/2020 Bunn D8/316

(57) **CLAIM**

The ornamental design for a pull, as shown and described.

DESCRIPTION

FIG. 1 is a front perspective view of a pull showing my new design;
 FIG. 2 is a rear perspective view thereof;
 FIG. 3 is a front elevational view thereof;
 FIG. 4 is a left side view thereof;
 FIG. 5 is a rear view thereof;
 FIG. 6 is a right side view thereof;
 FIG. 7 is a top plan view thereof; and,
 FIG. 8 is a bottom view thereof.

1 Claim, 4 Drawing Sheets

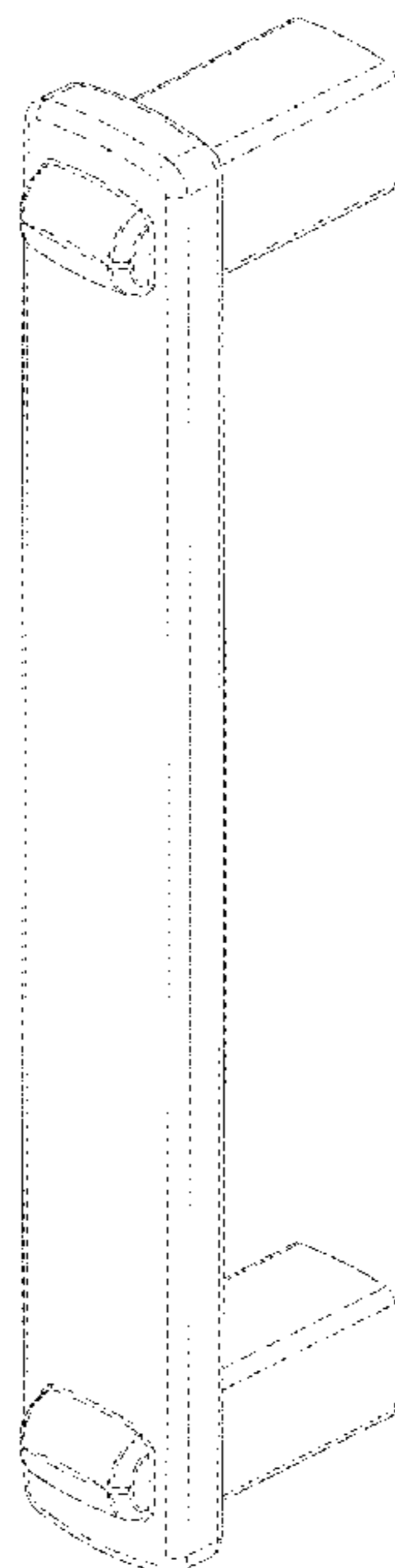




FIG - 2



FIG - 1

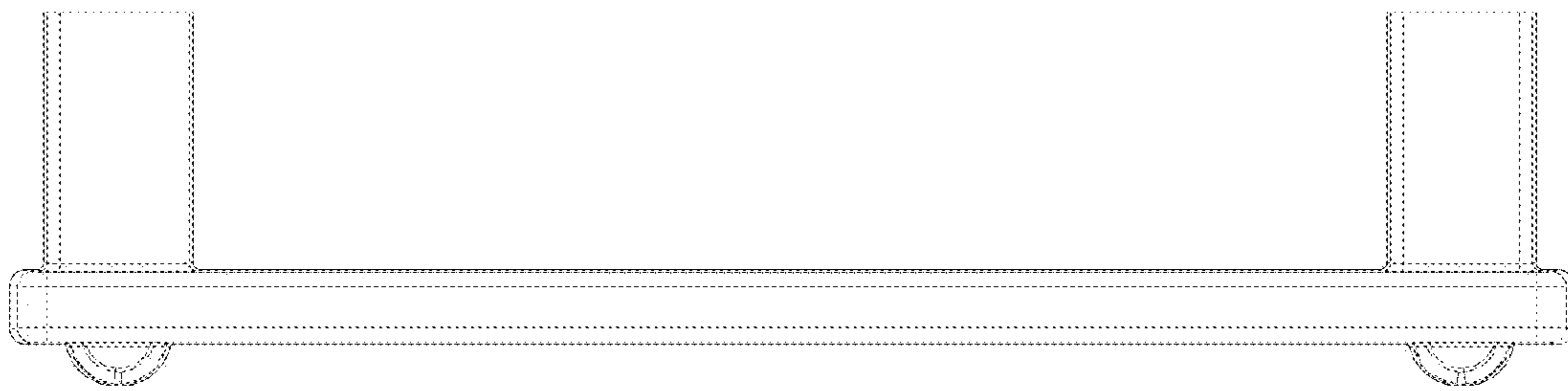


FIG - 4

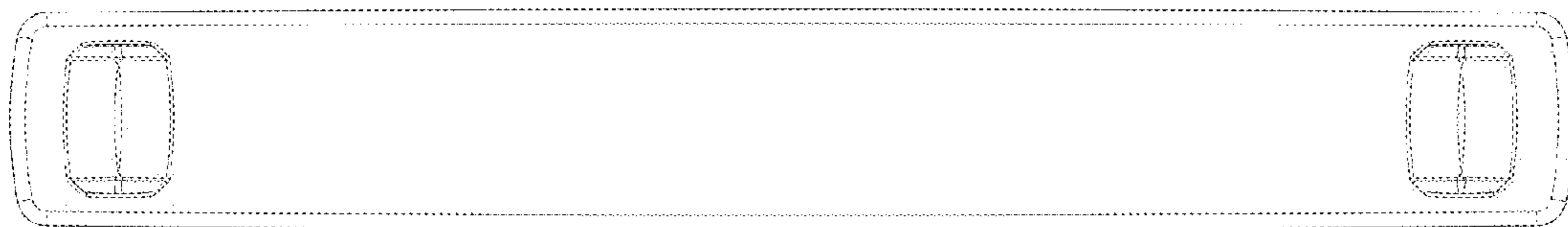


FIG - 3



FIG - 6

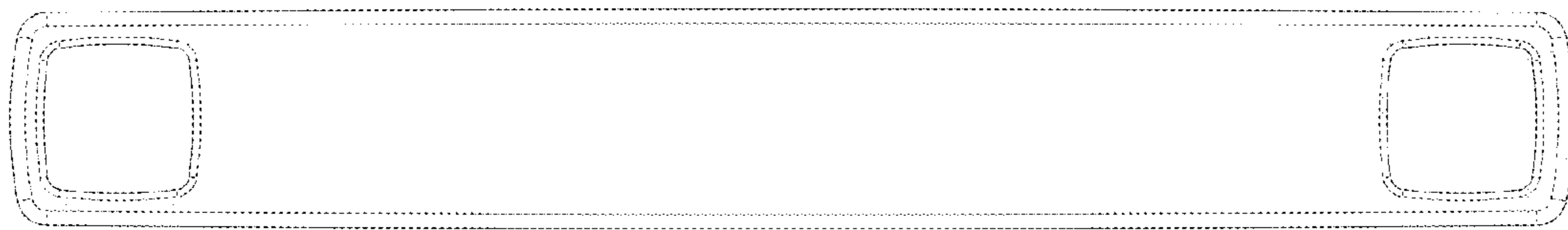


FIG - 5

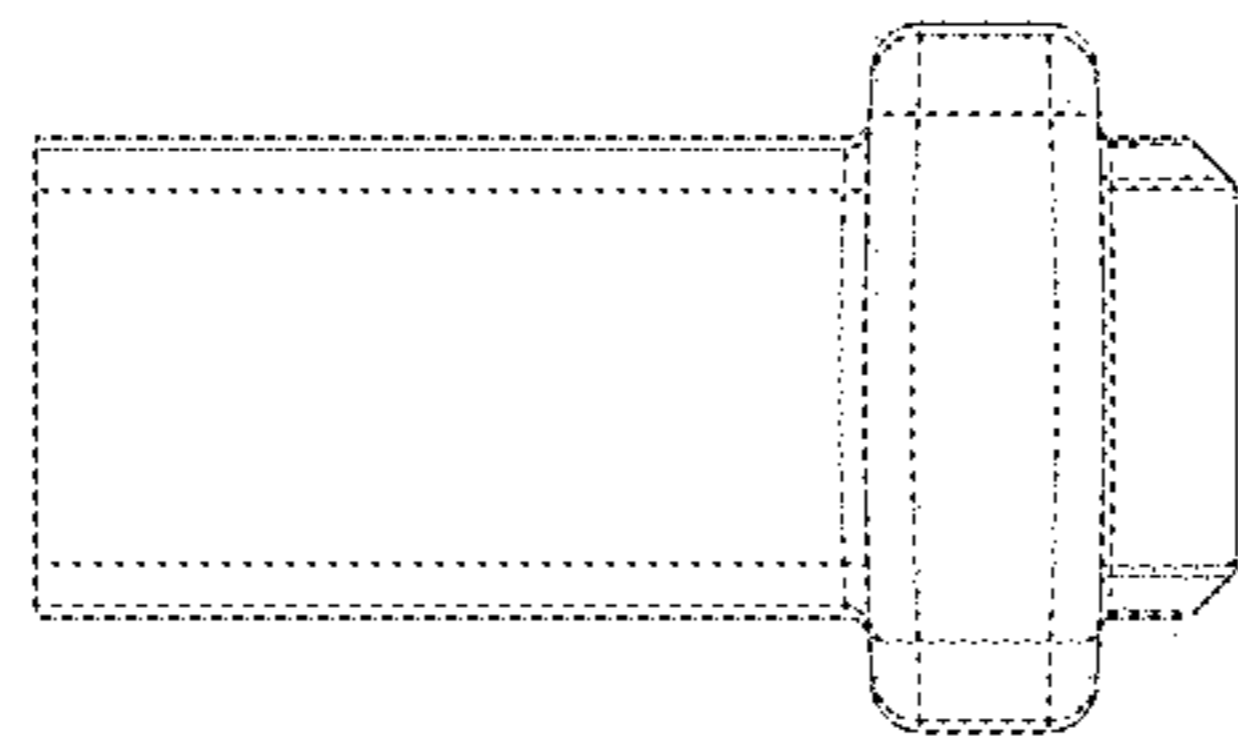


FIG - 8

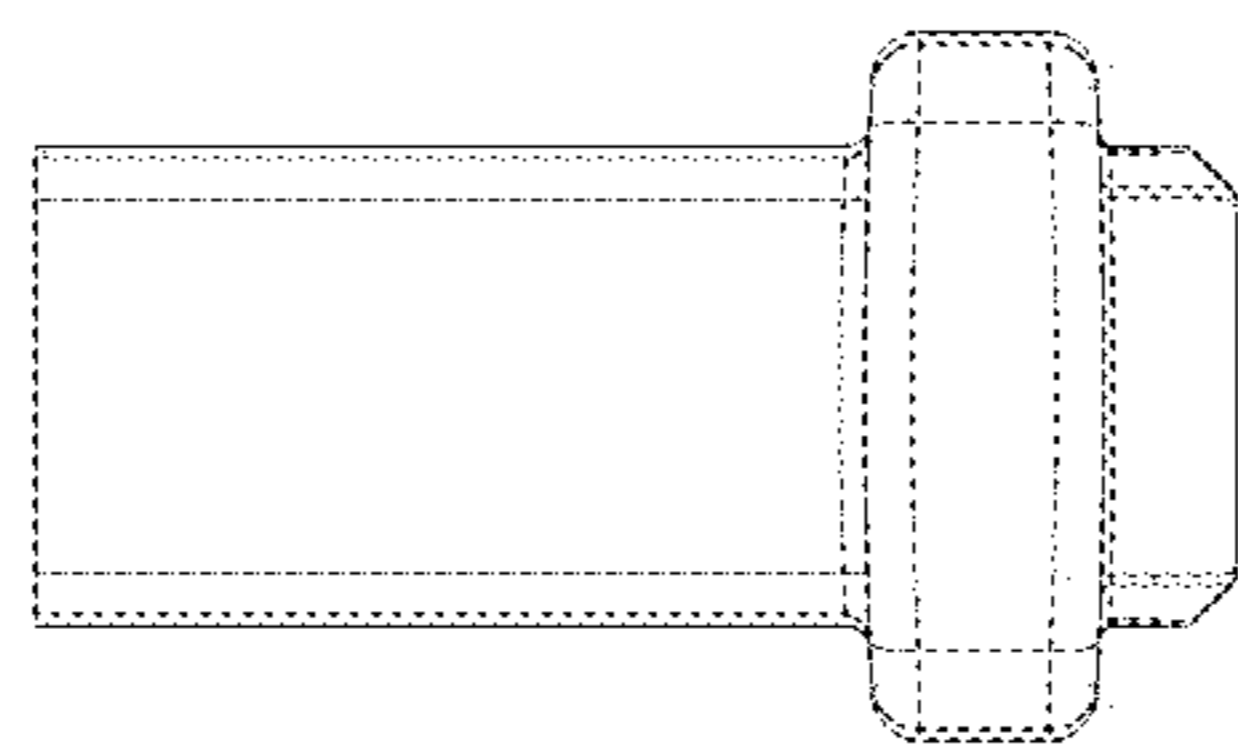


FIG - 7