



US00D953141S

(12) **United States Design Patent**  
**Elser**

(10) **Patent No.:** **US D953,141 S**

(45) **Date of Patent:** **\*\* May 31, 2022**

(54) **PULL**

(71) Applicant: **DELTA FAUCET COMPANY,**  
Indianapolis, IN (US)

(72) Inventor: **Simon Elser,** Indianapolis, IN (US)

(73) Assignee: **DELTA FAUCET COMPANY,**  
Indianapolis, IN (US)

(\*\*) Term: **15 Years**

(21) Appl. No.: **29/754,998**

(22) Filed: **Oct. 16, 2020**

(51) **LOC (13) Cl.** ..... **08-06**

(52) **U.S. Cl.**  
USPC ..... **D8/316; D8/315**

(58) **Field of Classification Search**  
USPC ..... D8/315-316, 319-322  
CPC ..... A47B 95/02; Y10T 16/458; Y10T 16/462  
See application file for complete search history.

(56) **References Cited**

**U.S. PATENT DOCUMENTS**

D563,197 S *	3/2008	Lowe	.....	D8/316
D569,704 S *	5/2008	Ricereto	.....	D8/315
D589,326 S *	3/2009	Mattson	.....	D8/321
D612,677 S *	3/2010	Jeon	.....	D7/402
D719,008 S *	12/2014	Han	.....	D8/315
D727,712 S *	4/2015	Pallante	.....	D8/316
D729,035 S *	5/2015	Zimmer	.....	D8/316
D771,408 S *	11/2016	Garland	.....	D6/549
D779,911 S *	2/2017	Zimmer	.....	D8/316
D779,912 S *	2/2017	Zimmer	.....	D8/316
D780,552 S *	3/2017	Zimmer	.....	D8/316
D784,728 S *	4/2017	Eads	.....	D6/549
D793,200 S *	8/2017	Zyman Beer	.....	D8/315
D793,203 S *	8/2017	Eads	.....	D8/320
D801,778 S *	11/2017	Zimmer	.....	D8/316

D879,582 S *	3/2020	Olson	.....	D8/316
D880,272 S *	4/2020	Bunn	.....	D8/316
D889,243 S *	7/2020	Eads	.....	D8/316
D897,724 S *	10/2020	Garland	.....	D6/549
D903,824 S *	12/2020	Garland	.....	D23/238
D911,741 S *	3/2021	Lazarini	.....	D6/549
D918,618 S *	5/2021	Lazarini	.....	D6/549
D931,010 S *	9/2021	Eads	.....	D6/549

**OTHER PUBLICATIONS**

“Amerock Appliance Pull”, Dec. 14, 2008, Amazon.com, site visited Jan. 20, 2022: <https://www.amazon.com/dp/B0073THSHY> (Year: 2008).\*

“Elements Sedona Bar Pull”, Apr. 4, 2011, Amazon.com, site visited Jan. 20, 2022: <https://www.amazon.com/dp/B004Q8UKQQ> (Year: 2011).\*

(Continued)

*Primary Examiner* — Jack Reickel

*Assistant Examiner* — Michael A Kervin

(74) *Attorney, Agent, or Firm* — Nirav D. Parikh; Edgar A. Zarins

(57) **CLAIM**

The ornamental design for a pull, as shown and described.

**DESCRIPTION**

FIG. 1 is a front perspective view of a pull showing my new design;

FIG. 2 is a rear perspective view thereof;

FIG. 3 is a front elevational view thereof;

FIG. 4 is a left side view thereof;

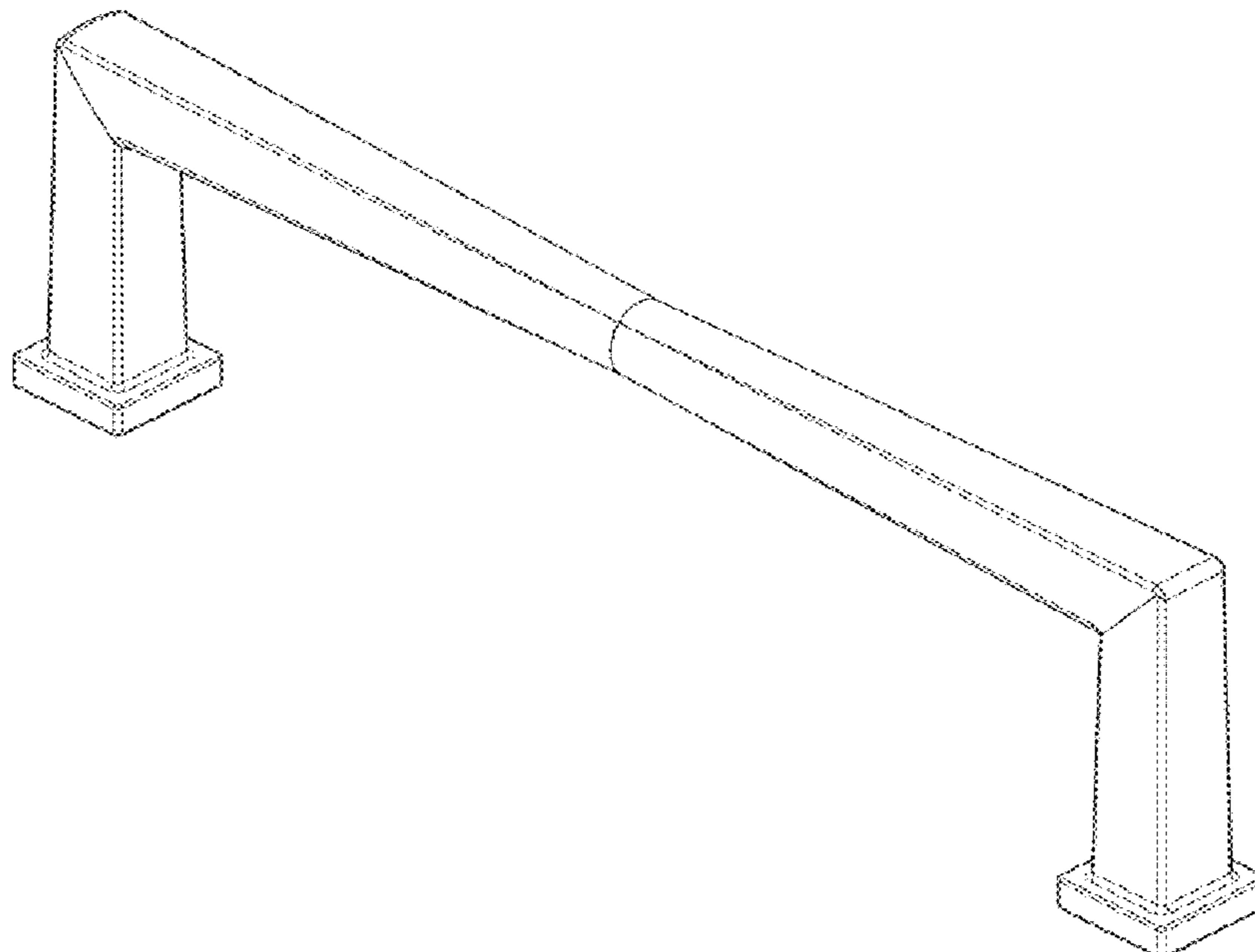
FIG. 5 is a rear view thereof;

FIG. 6 is a right side view thereof;

FIG. 7 is a top plan view thereof; and,

FIG. 8 is a bottom view thereof.

**1 Claim, 4 Drawing Sheets**



(56)

**References Cited**

OTHER PUBLICATIONS

“Barrington Brookline Center Bar Pull”, Jan. 4, 2016, Amazon.com, site visited Jan. 20, 2022: <https://www.amazon.com/dp/B01A5VQVYM> (Year: 2016).\*

“Berenson Metro Pull”, Jul. 11, 2016, Amazon.com, site visited Jan. 20, 2022: <https://www.amazon.com/dp/B01FV1WLDG> (Year: 2016).\*

\* cited by examiner

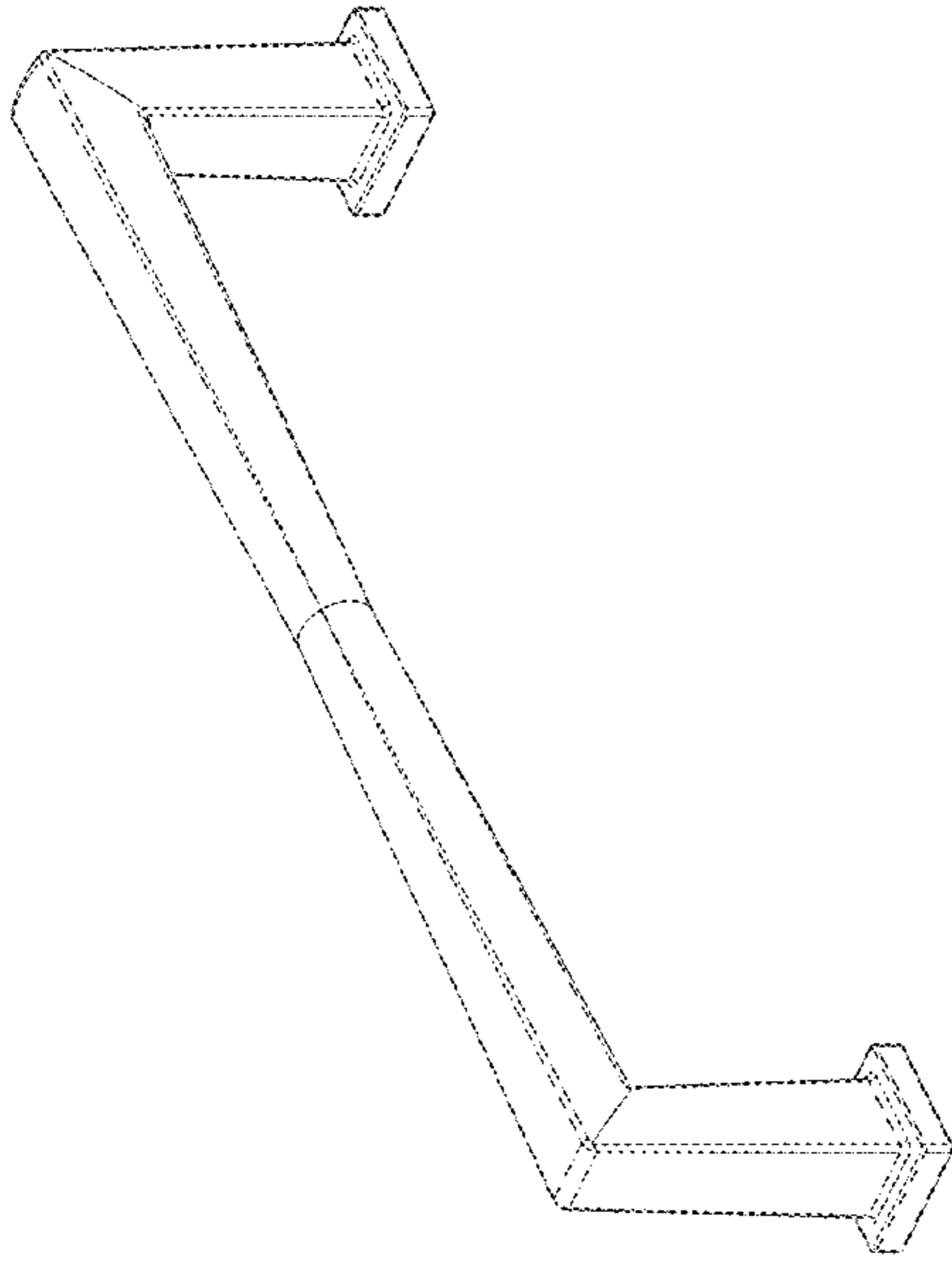


FIG - 2

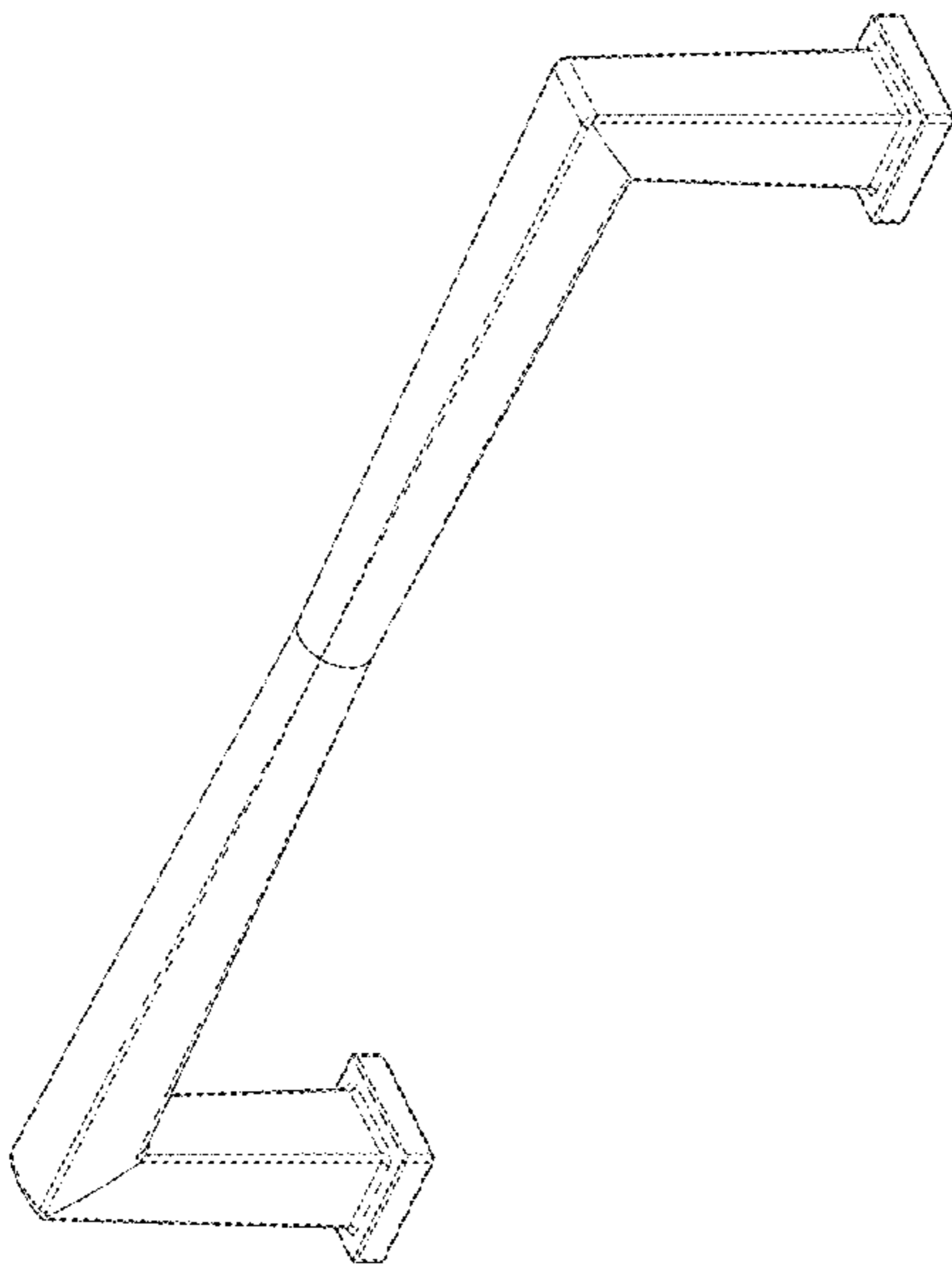


FIG - 1

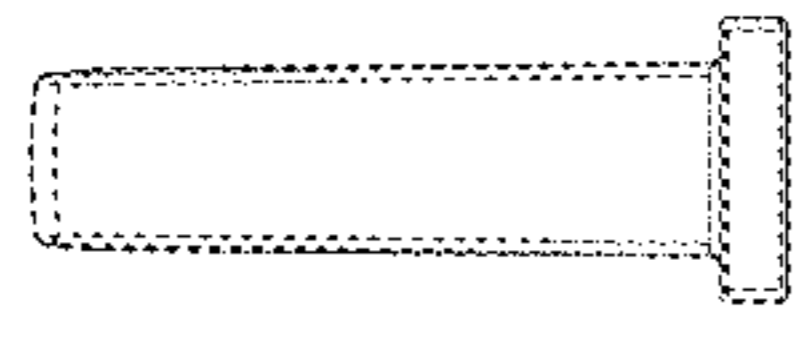


FIG - 4

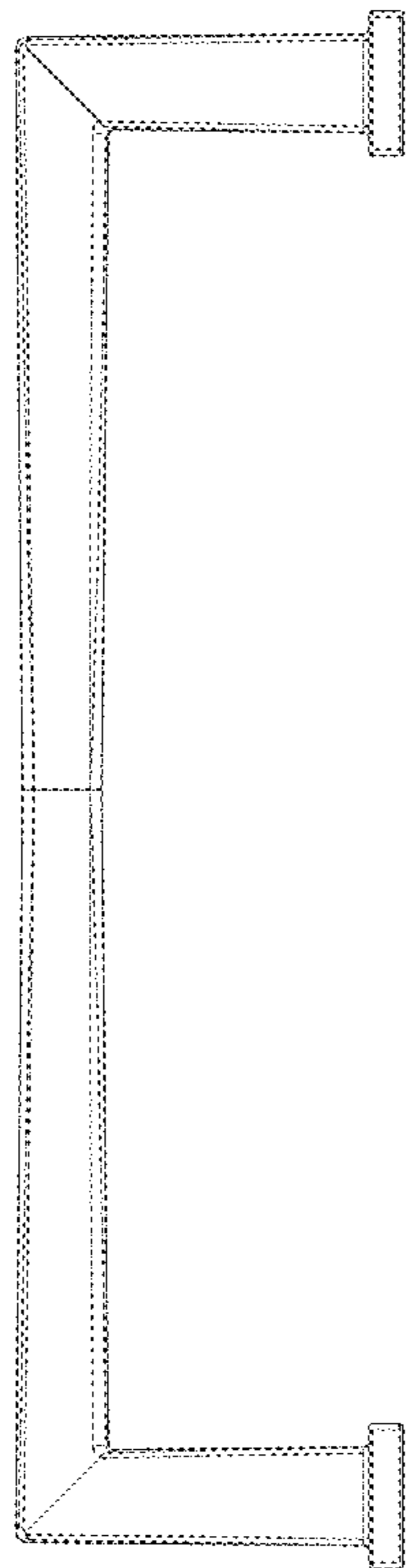


FIG - 3

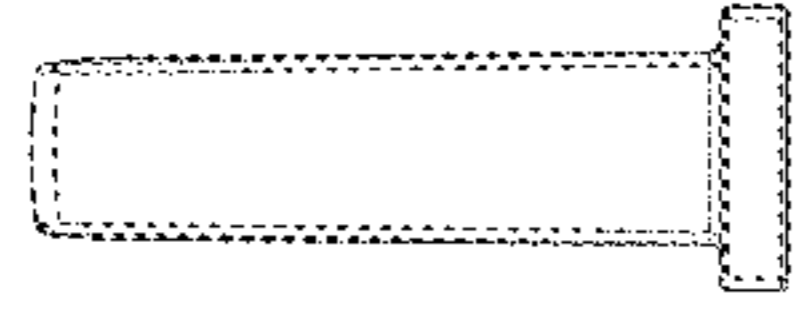


FIG - 6

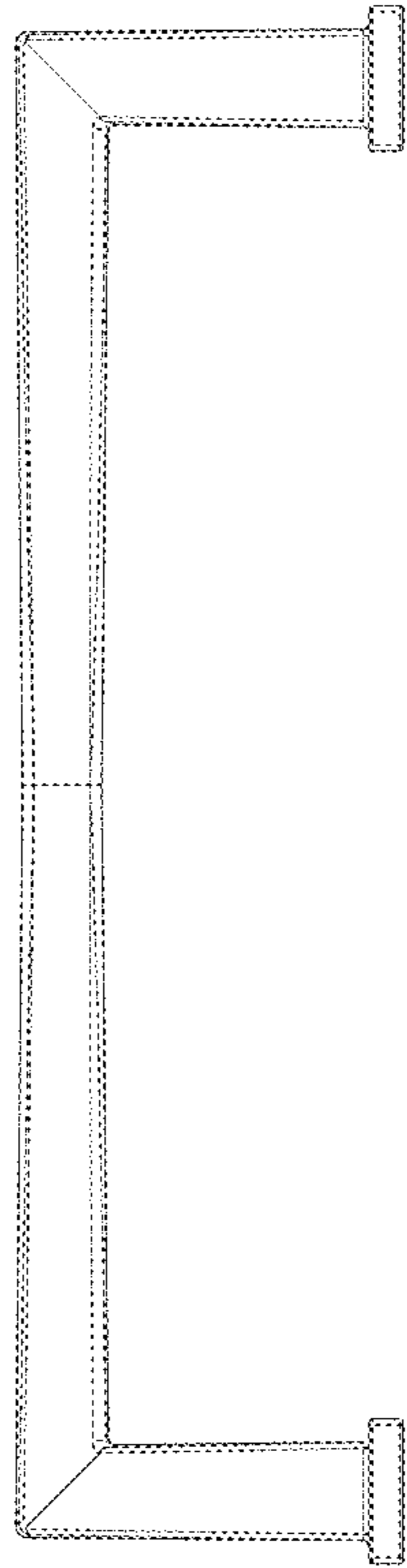


FIG - 5

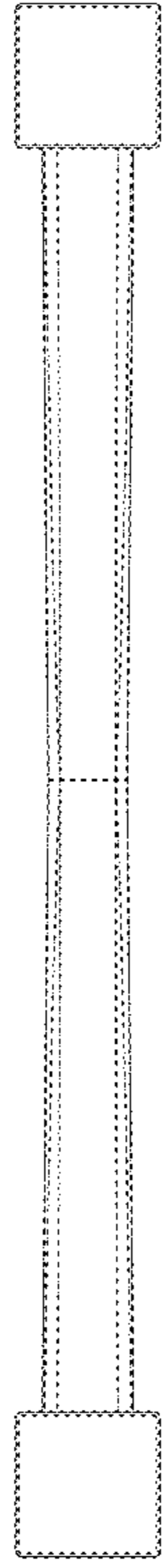


FIG - 8

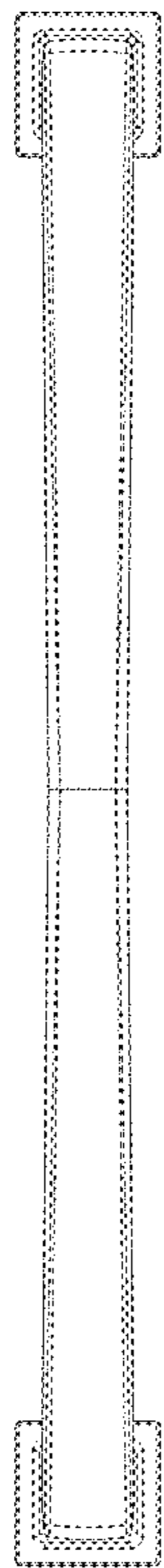


FIG - 7