



US00D953138S

(12) **United States Design Patent**
Fu et al.

(10) **Patent No.:** **US D953,138 S**
(45) **Date of Patent:** **** May 31, 2022**

- (54) **BOLT EXTRACTOR**
- (71) Applicant: **APEX BRANDS, INC.**, Apex, NC (US)
- (72) Inventors: **Zhihong Fu**, Cary, NC (US); **Eric Jon Van Fossen**, Huntersville, NC (US)
- (73) Assignee: **APEX BRANDS, INC.**, Apex, NC (US)
- (**) Term: **15 Years**
- (21) Appl. No.: **29/762,858**
- (22) Filed: **Dec. 18, 2020**
- (51) **LOC (13) Cl.** **08-05**
- (52) **U.S. Cl.**
USPC **D8/70**
- (58) **Field of Classification Search**
USPC D8/1, 3, 8, 14, 22, 25, 27-29.2, 30, 40, D8/51, 59, 70, 71, 74, 78, 88, 98, 106, D8/300, 309, 343; D15/122, 138-140
CPC F01D 5/066; F05D 2300/173; Y10T 428/12063; B23D 51/08; B23D 51/10; B23D 2251/64; B25B 23/0035; B25B 27/18; B25G 3/14; B25G 3/26; B25F 3/00
See application file for complete search history.

5,031,487 A *	7/1991	Polonsky	B25B 27/18
				81/53.2
D329,786 S *	9/1992	Polonsky	D8/14
5,279,187 A *	1/1994	Salmon	B25B 27/18
				81/445
7,905,164 B2 *	3/2011	Kozak	B25B 13/485
				81/453
9,352,459 B2 *	5/2016	Thomas	B23B 51/08
D774,868 S *	12/2016	Ouyang	D8/86
D786,646 S *	5/2017	Ouyang	D8/86
D793,832 S *	8/2017	Russell	D8/70
D793,833 S *	8/2017	Russell	D8/70
9,849,573 B2 *	12/2017	Thomas	B23G 5/20
D838,754 S *	1/2019	Wang	D15/139
D878,882 S *	3/2020	Huang	D8/14
D885,149 S *	5/2020	Kukucka	D8/14
D900,893 S *	11/2020	English	D15/139
D922,166 S *	6/2021	Sawa	D8/70
D934,047 S *	10/2021	Mann	D8/70

* cited by examiner

Primary Examiner — Darlington Ly

(74) *Attorney, Agent, or Firm* — Burr & Forman, LLP

(57) **CLAIM**

The ornamental design for a bolt extractor, as shown and described.

DESCRIPTION

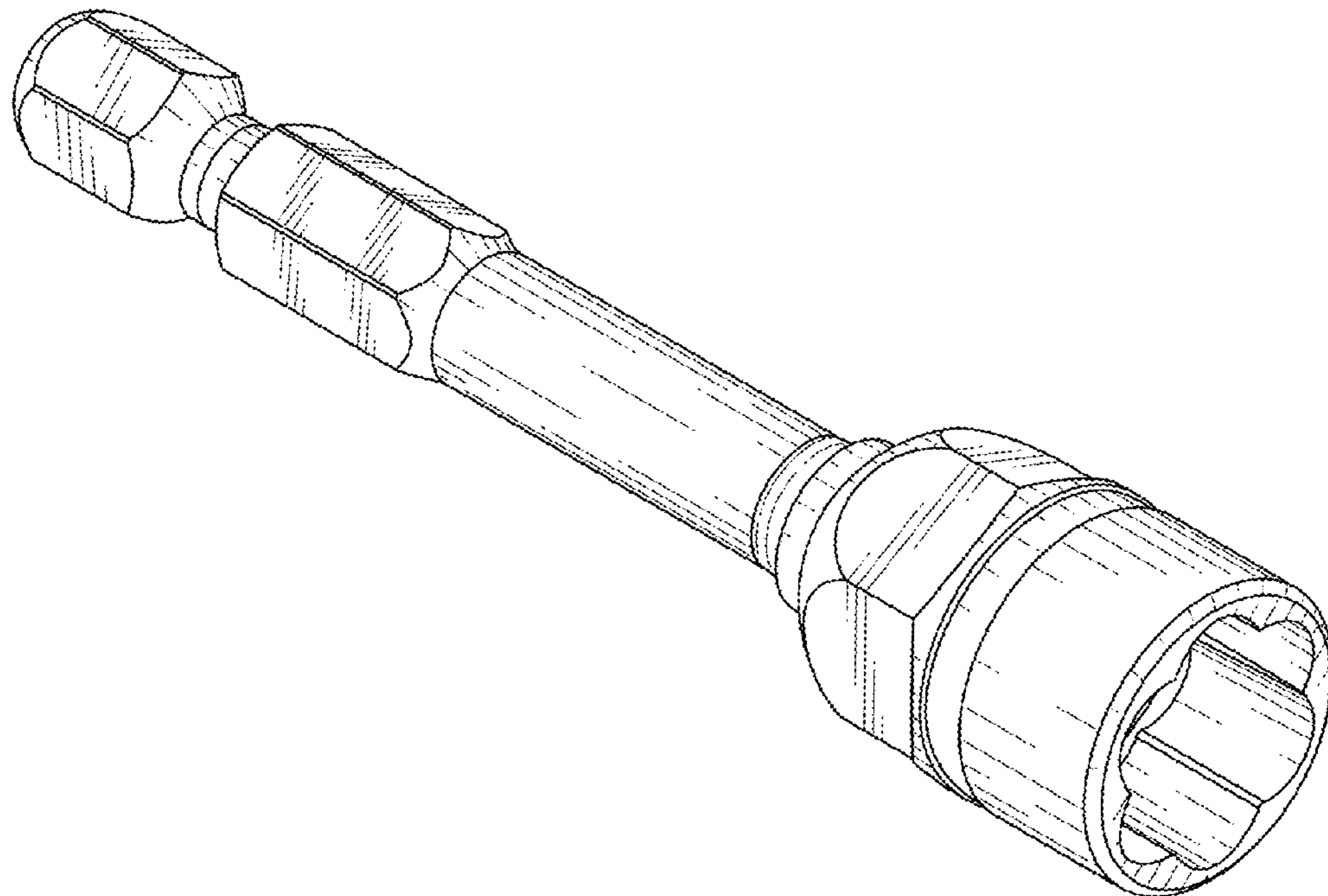
FIG. 1 is a perspective view of a bolt extractor embodying our new design;
 FIG. 2 is a front elevation view thereof;
 FIG. 3 is a rear elevation view thereof;
 FIG. 4 is a left side elevation view thereof;
 FIG. 5 is a right side elevation view thereof;
 FIG. 6 is a top plan view thereof; and,
 FIG. 7 is a bottom plan view thereof.

1 Claim, 6 Drawing Sheets

(56) **References Cited**

U.S. PATENT DOCUMENTS

4,138,909 A *	2/1979	Johnson	B25B 27/18
				81/53.2
4,831,902 A *	5/1989	McClure	B25B 27/18
				29/426.4



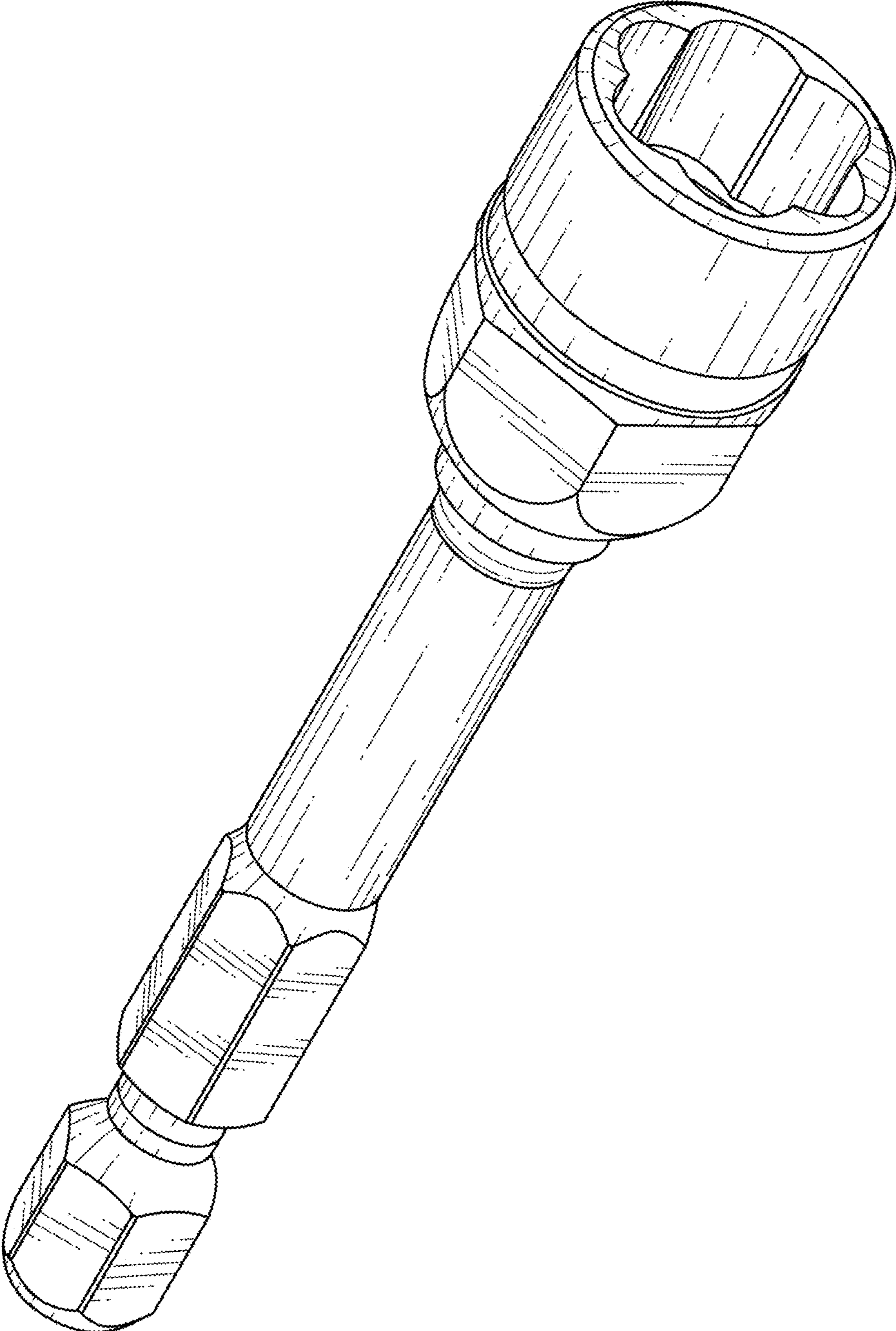


FIG. 1

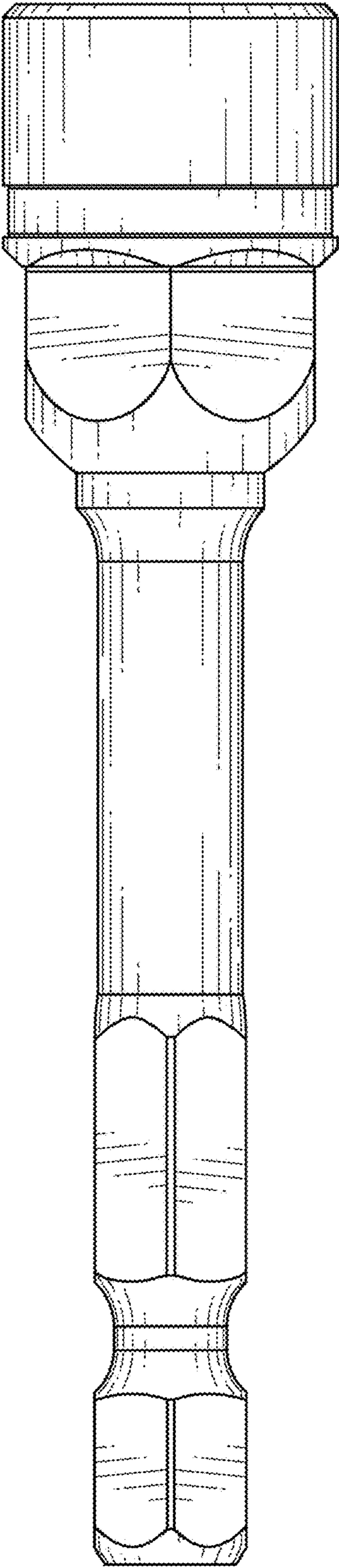


FIG. 2

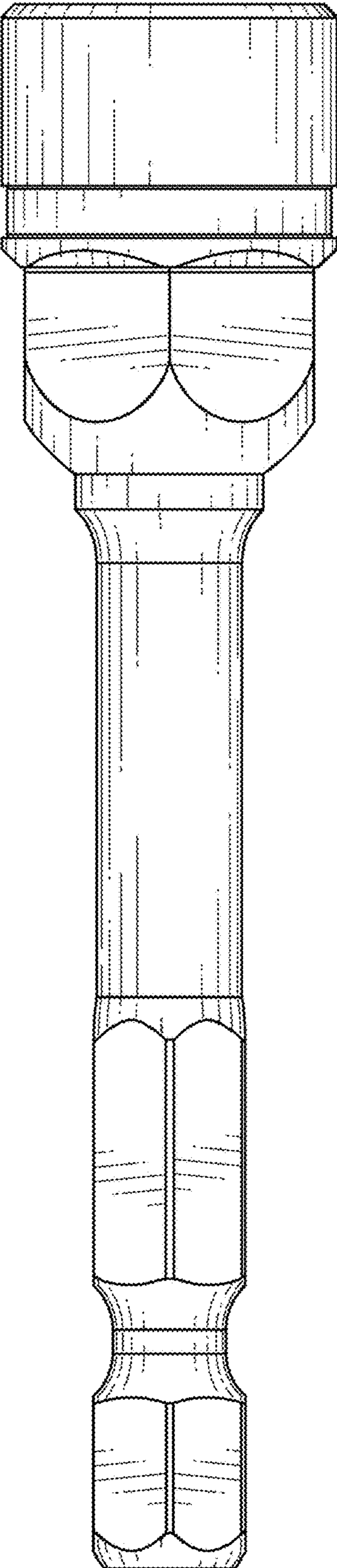


FIG. 3

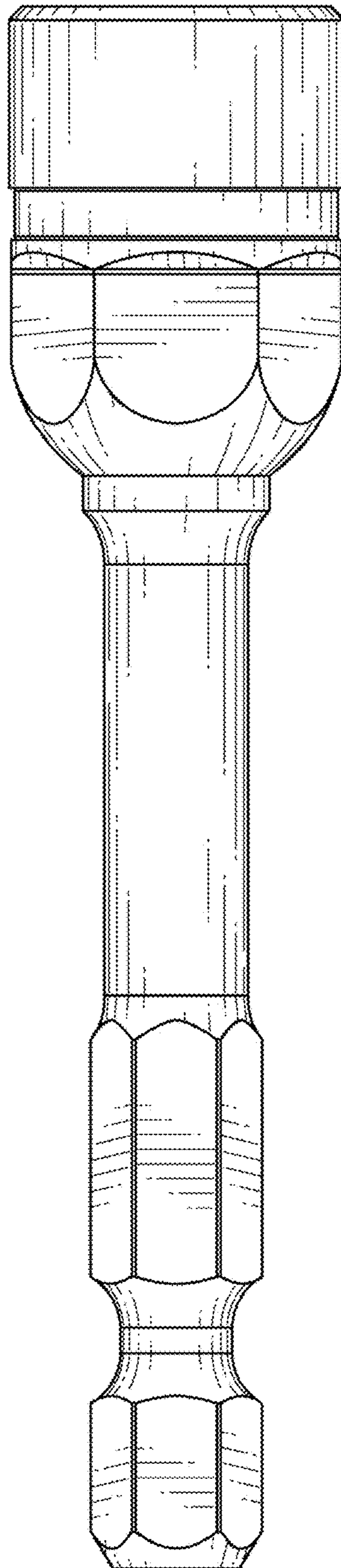


FIG. 4

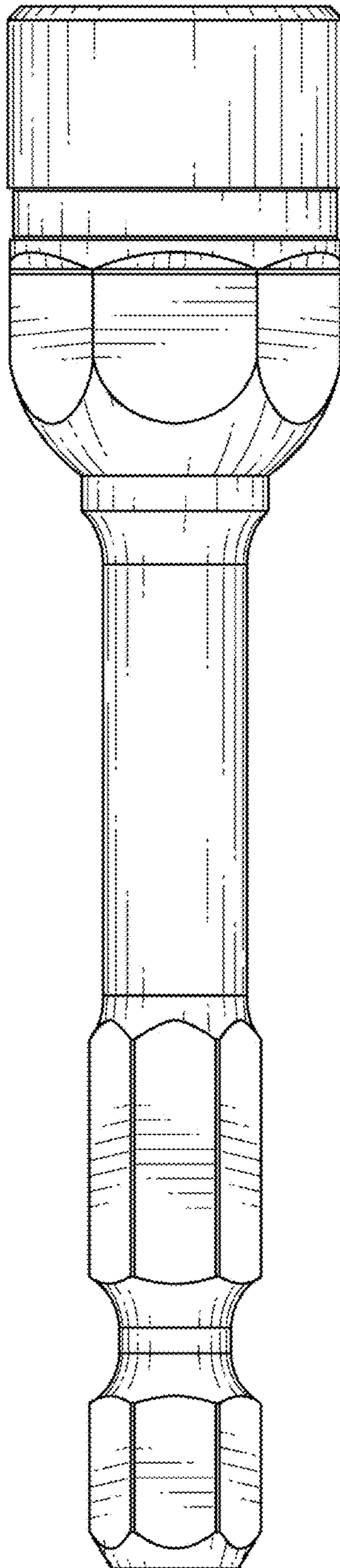


FIG. 5

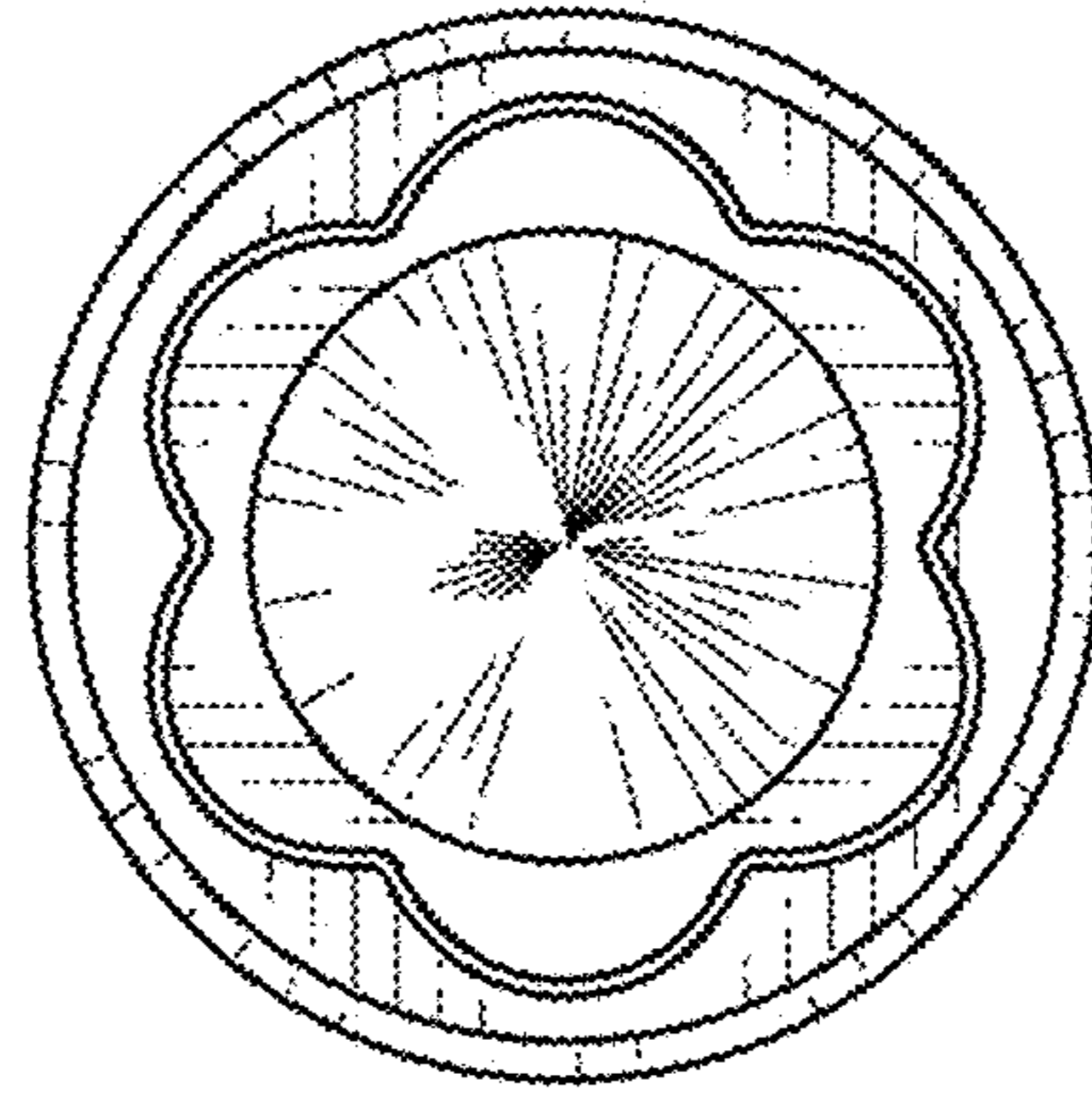


FIG. 6

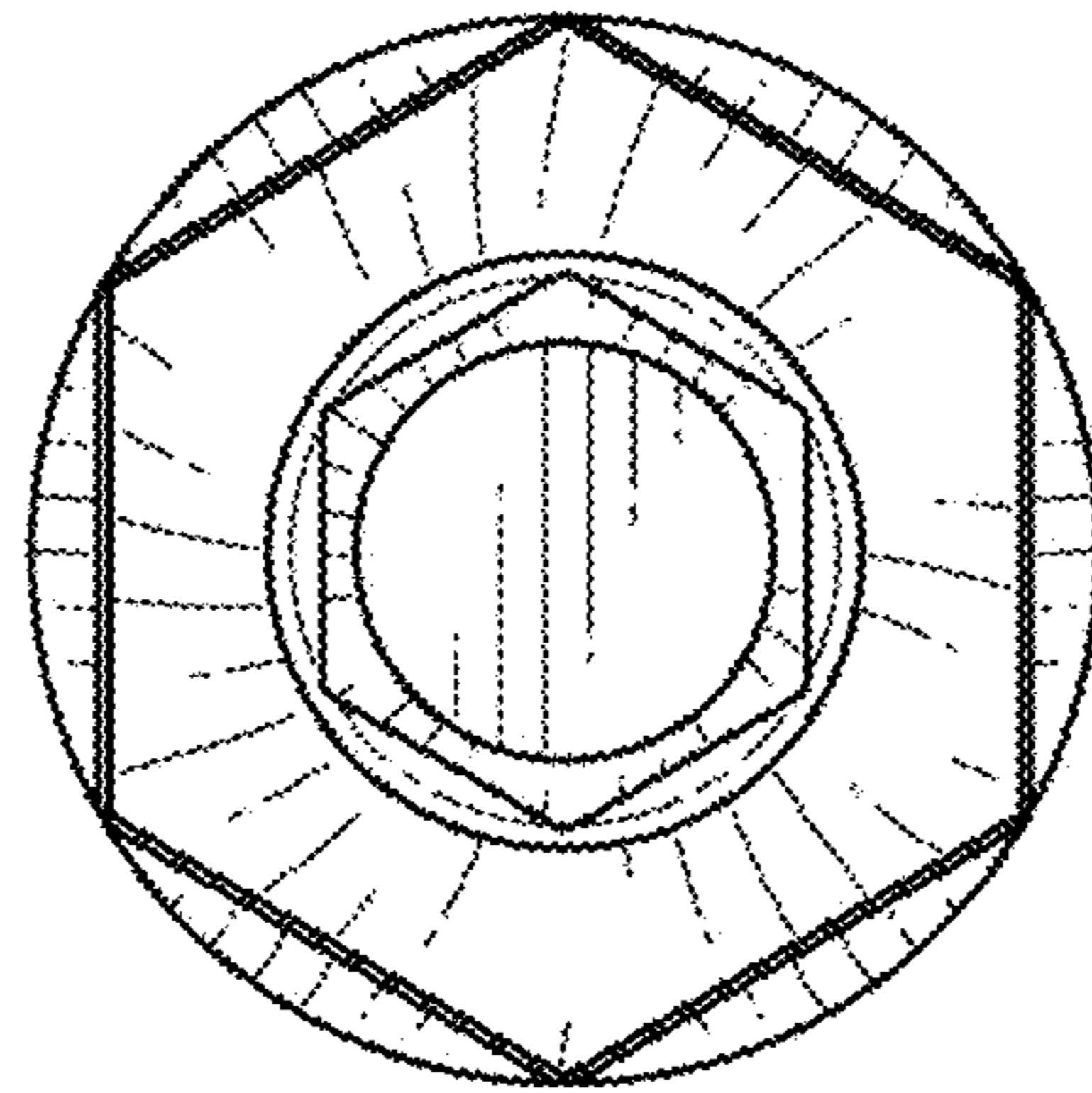


FIG. 7