



US00D953136S

(12) **United States Design Patent** (10) **Patent No.:** **US D953,136 S**
Tipton et al. (45) **Date of Patent:** **** May 31, 2022**

(54) **ADAPTER**

(71) Applicant: **HOLLEY PERFORMANCE PRODUCTS, INC.**, Bowling Green, KY (US)

(72) Inventors: **Larry J. Tipton**, Bowling Green, KY (US); **Shane R. Weckerly**, Bowling Green, KY (US)

(73) Assignee: **Holley Performance Products, Inc.**, Bowling Green, KY (US)

(**) Term: **15 Years**

(21) Appl. No.: **29/738,260**

(22) Filed: **Jun. 16, 2020**

Related U.S. Application Data

(63) Continuation of application No. 29/658,294, filed on Jul. 30, 2018, now Pat. No. Des. 889,925.

(51) **LOC (13) Cl.** **08-05**

(52) **U.S. Cl.**
USPC **D8/70**

(58) **Field of Classification Search**
USPC D8/70, 71, 85, 86, 349, 359, 382, 387, D8/394, 397; D15/138, 139; D22/134, D22/137, 138, 140, 141; D3/24, 25
CPC B25B 15/00; B25B 23/0035; B25B 23/12; B25B 23/0028; B25B 23/00; B25B 23/10; B25B 23/08; B25F 1/003; B25G 1/066
See application file for complete search history.

(56) **References Cited**

U.S. PATENT DOCUMENTS

D449,504 S * 10/2001 Boyle D8/70
D478,263 S * 8/2003 Welsh D15/140
D540,644 S * 4/2007 Song D8/25
D589,319 S * 3/2009 Peters D8/70
7,533,661 B2 5/2009 Baasch

D594,306 S * 6/2009 Decker D15/138
D609,073 S * 2/2010 Lin D8/70
7,726,664 B2 * 6/2010 Peters B23B 31/005
279/143
7,757,704 B2 * 7/2010 Lien F16L 37/0841
137/269.5
7,823,483 B2 * 11/2010 Yamada B25B 21/00
81/54

(Continued)

FOREIGN PATENT DOCUMENTS

AU 201910220 3/2019
AU 201911579 4/2019
AU 201911581 4/2019

OTHER PUBLICATIONS

Design U.S. Appl. No. 29/597,917 entitled "Adapter" filed Mar. 21, 2017.

(Continued)

Primary Examiner — Darlington Ly

(74) *Attorney, Agent, or Firm* — Middleton Reutlinger

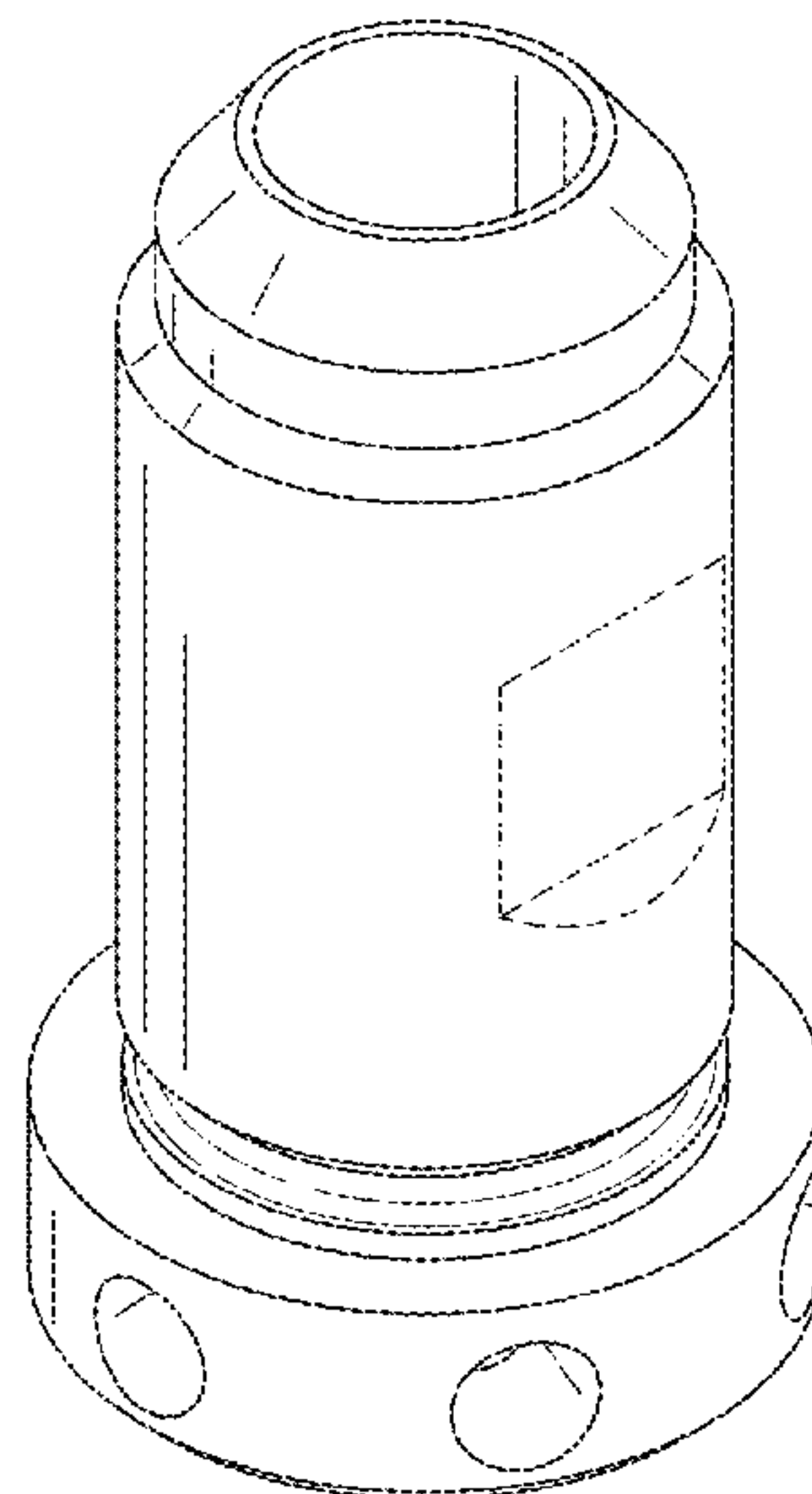
(57) **CLAIM**

The ornamental design for an adapter, as shown and described.

DESCRIPTION

FIG. 1 is a top perspective view of an adapter showing our new design;
FIG. 2 is a bottom perspective view thereof;
FIG. 3 is a front elevation view thereof;
FIG. 4 is a rear elevation view thereof;
FIG. 5 is a side elevation view thereof;
FIG. 6 is an opposing side elevation view thereof;
FIG. 7 is a top plan view thereof; and,
FIG. 8 is a bottom plan view thereof.
The broken lines in the drawings illustrate portions of the adapter that form no part of the claimed design.

1 Claim, 8 Drawing Sheets



(56)

References Cited

U.S. PATENT DOCUMENTS

D635,429 S * 4/2011 Hakki D8/70
 8,100,200 B2 * 1/2012 Wolfer E21B 17/076
 175/300
 D655,592 S * 3/2012 Baumann D8/70
 D656,805 S * 4/2012 Baumann D8/70
 D673,193 S * 12/2012 Dickrede D15/139
 8,540,580 B2 * 9/2013 Santamarina B25B 23/12
 464/37
 8,607,673 B2 * 12/2013 Marson B25B 23/0021
 81/184
 D710,174 S * 8/2014 Moss D8/70
 D710,175 S * 8/2014 Moss D8/70
 8,844,941 B1 * 9/2014 Dickrede B23G 1/46
 279/42
 D717,626 S * 11/2014 Dickrede D8/70
 D737,647 S * 9/2015 Elder D8/70
 9,505,108 B2 * 11/2016 Peters B23B 31/107
 D793,831 S * 8/2017 Russell D8/70

D793,832 S * 8/2017 Russell D8/70
 D793,833 S * 8/2017 Russell D8/70
 10,150,205 B2 * 12/2018 Santamarina B25B 23/0035

OTHER PUBLICATIONS

U.S. Appl. No. 62/727,716 entitled "Pump Adapter" filed Sep. 6, 2018.
 Design U.S. Appl. No. 29/662,532 entitled "Pump Adapter" filed Sep. 6, 2018.
 Utility U.S. Appl. No. 16/553,619 entitled "Pump Adapter" filed Aug. 28, 2019.
 U.S. Appl. No. 62/872,520 entitled "Air Filter Adapter" filed Jul. 10, 2019.
 Radium Engineering, 20-0145 Fuel Pump Inlet Adapter Installation Instructions, Sep. 21, 2018 [publication date retrieved from Internet Wayback Machine on Oct. 8, 2019].
 www.efihardware.com, Walbro In Tank Fuel Pump Extension Kit, Mar. 31, 2015 [publication date retrieve from Internet Wayback Machine on Oct. 8, 2019].

* cited by examiner

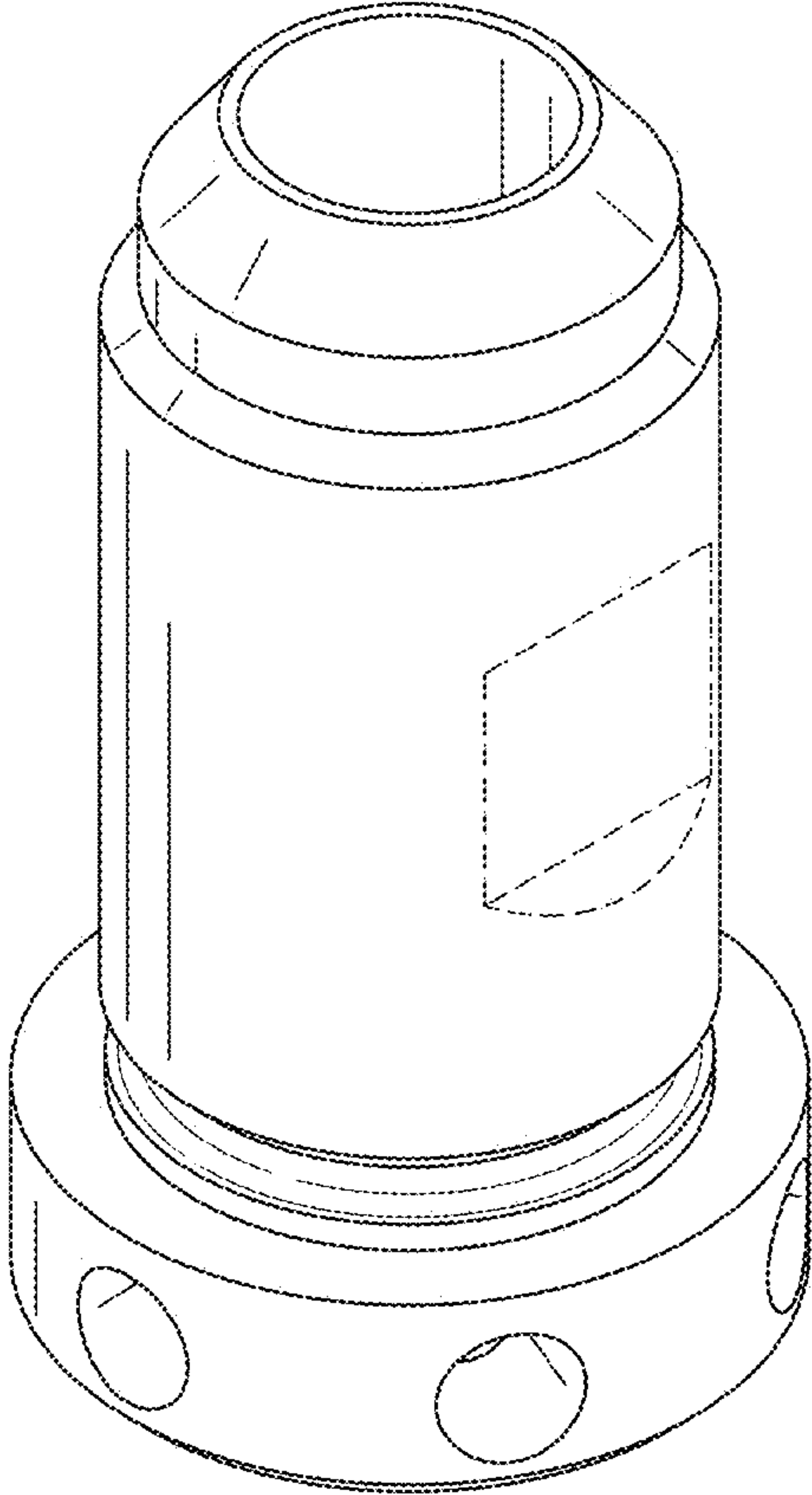


FIG. 1

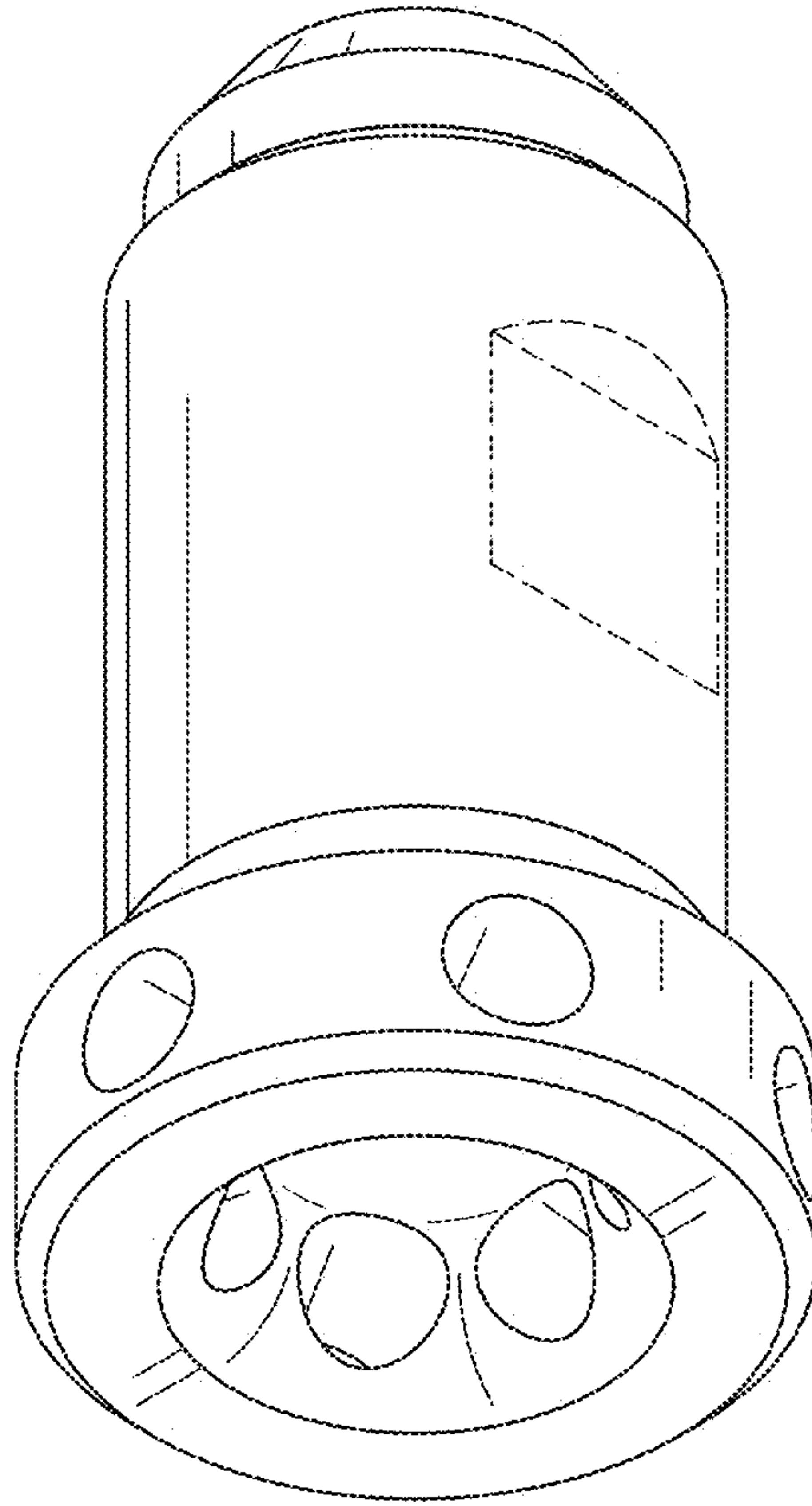


FIG. 2

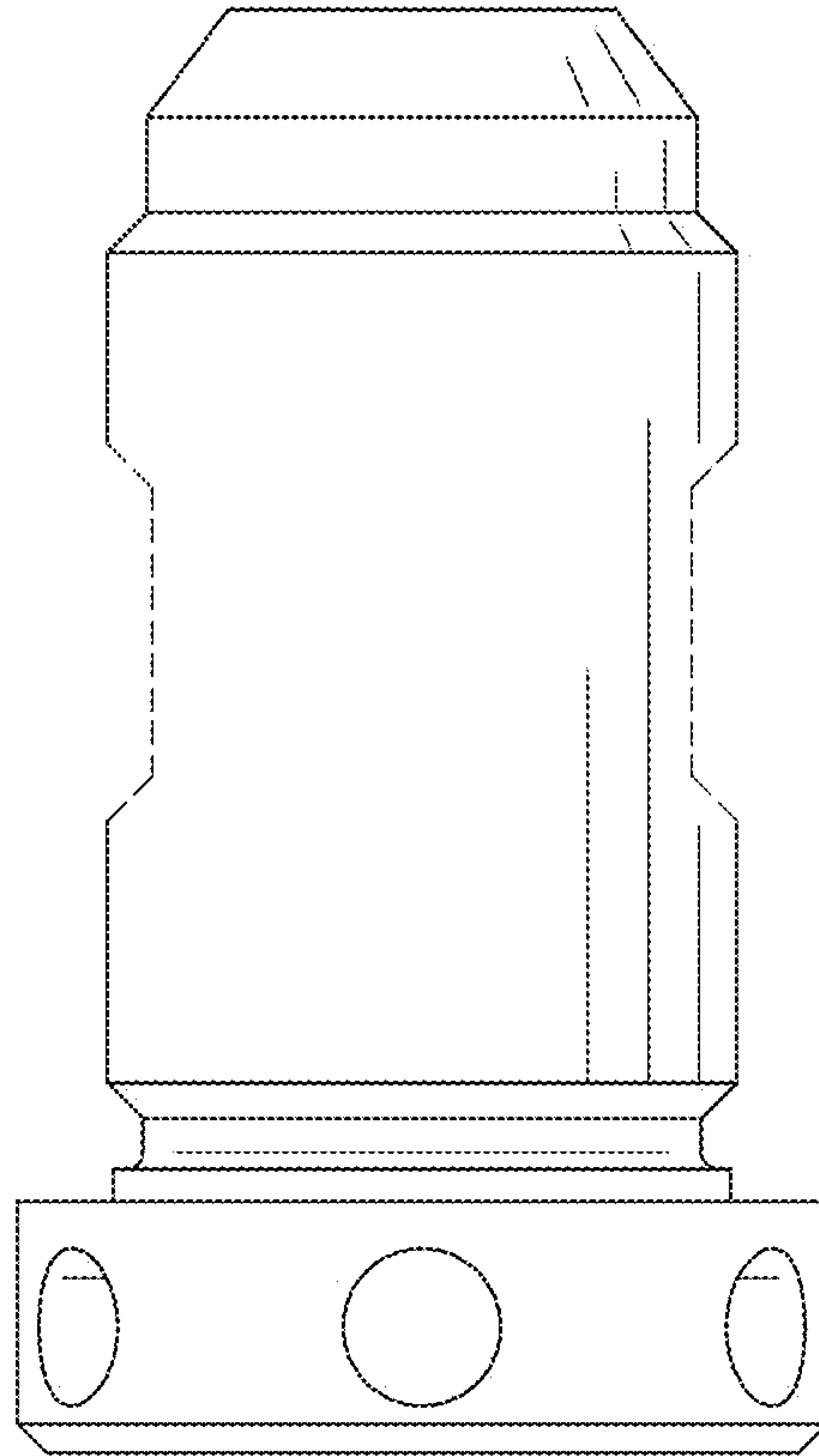


FIG. 3

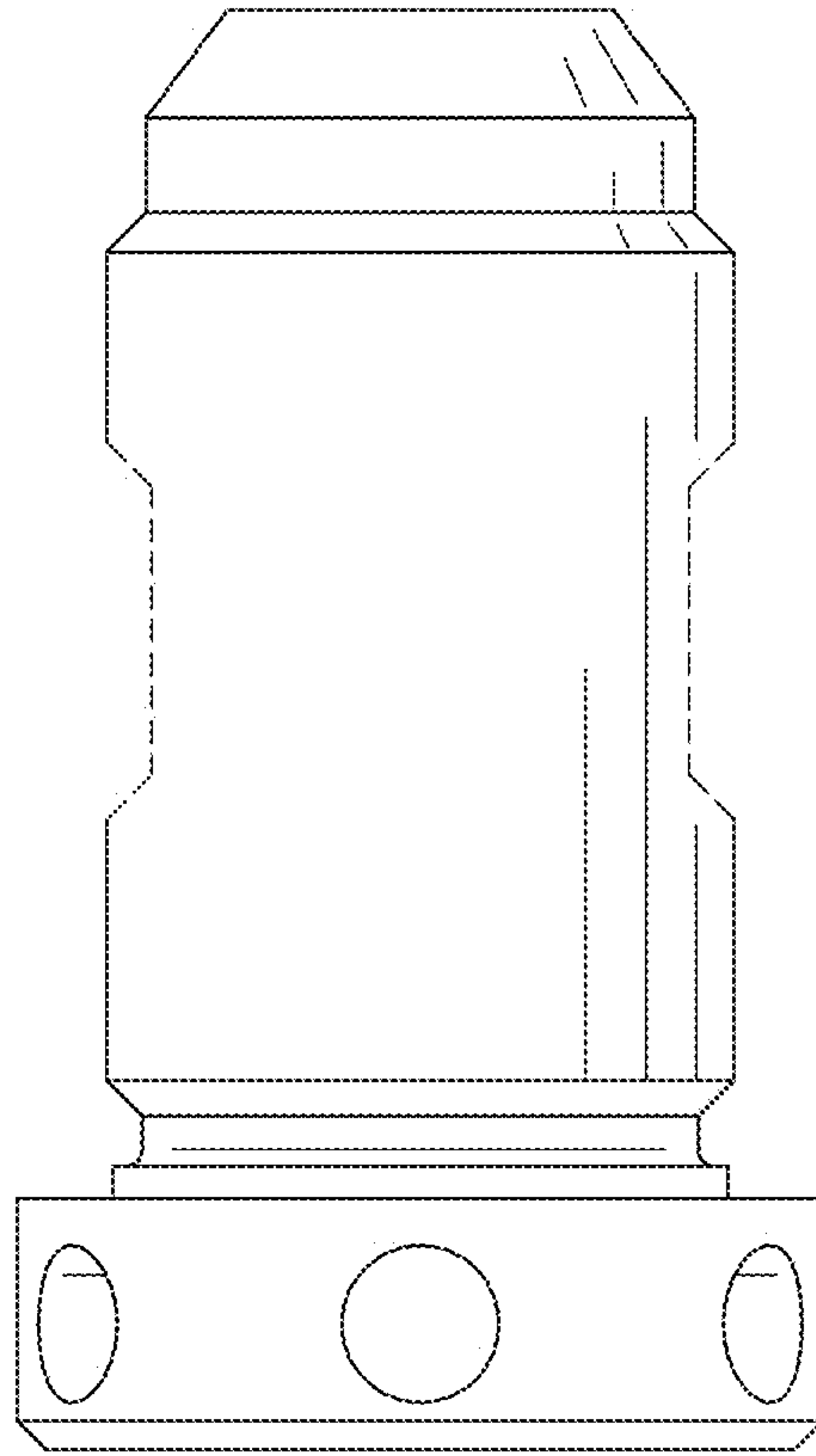


FIG. 4

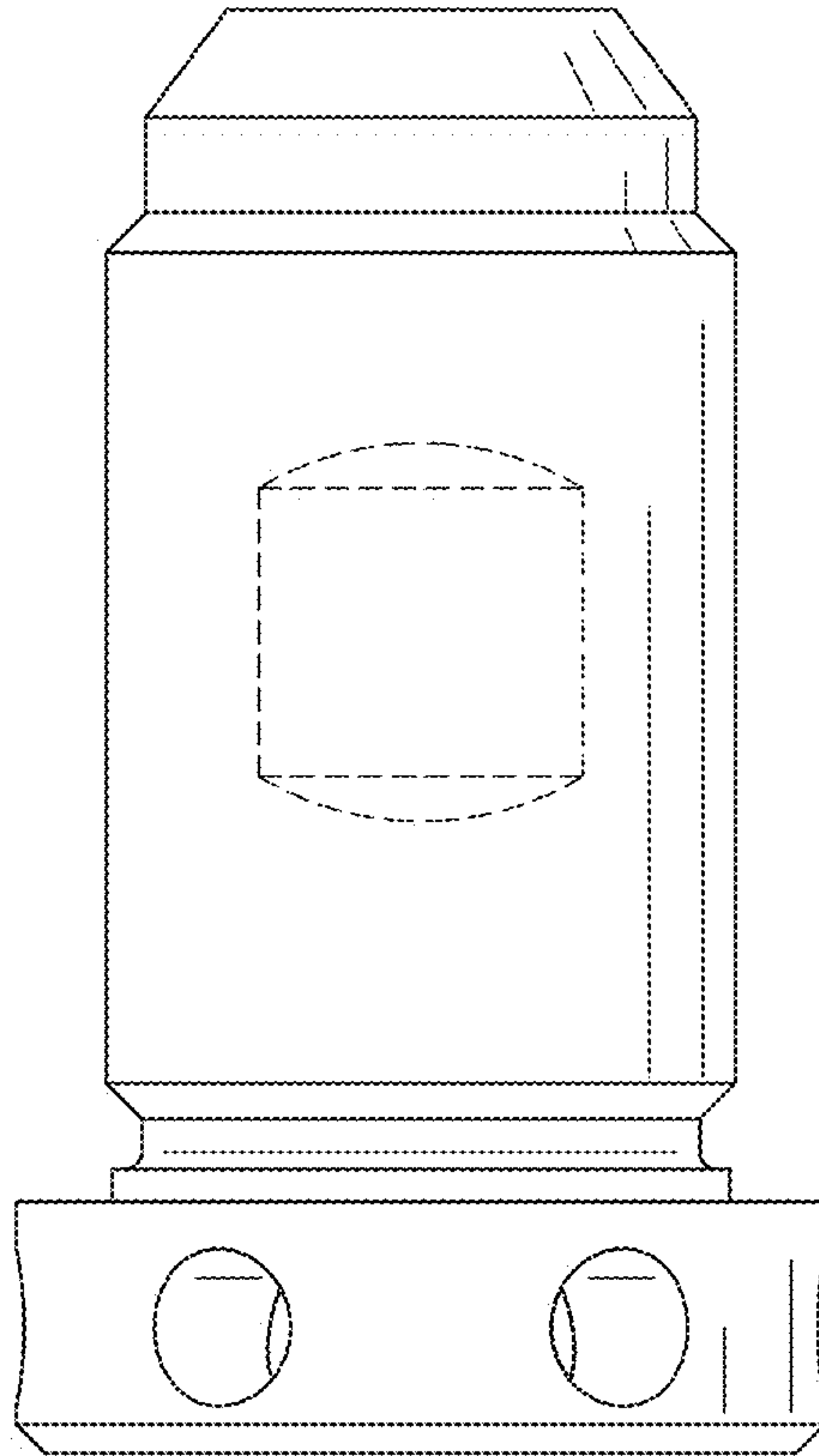


FIG. 5

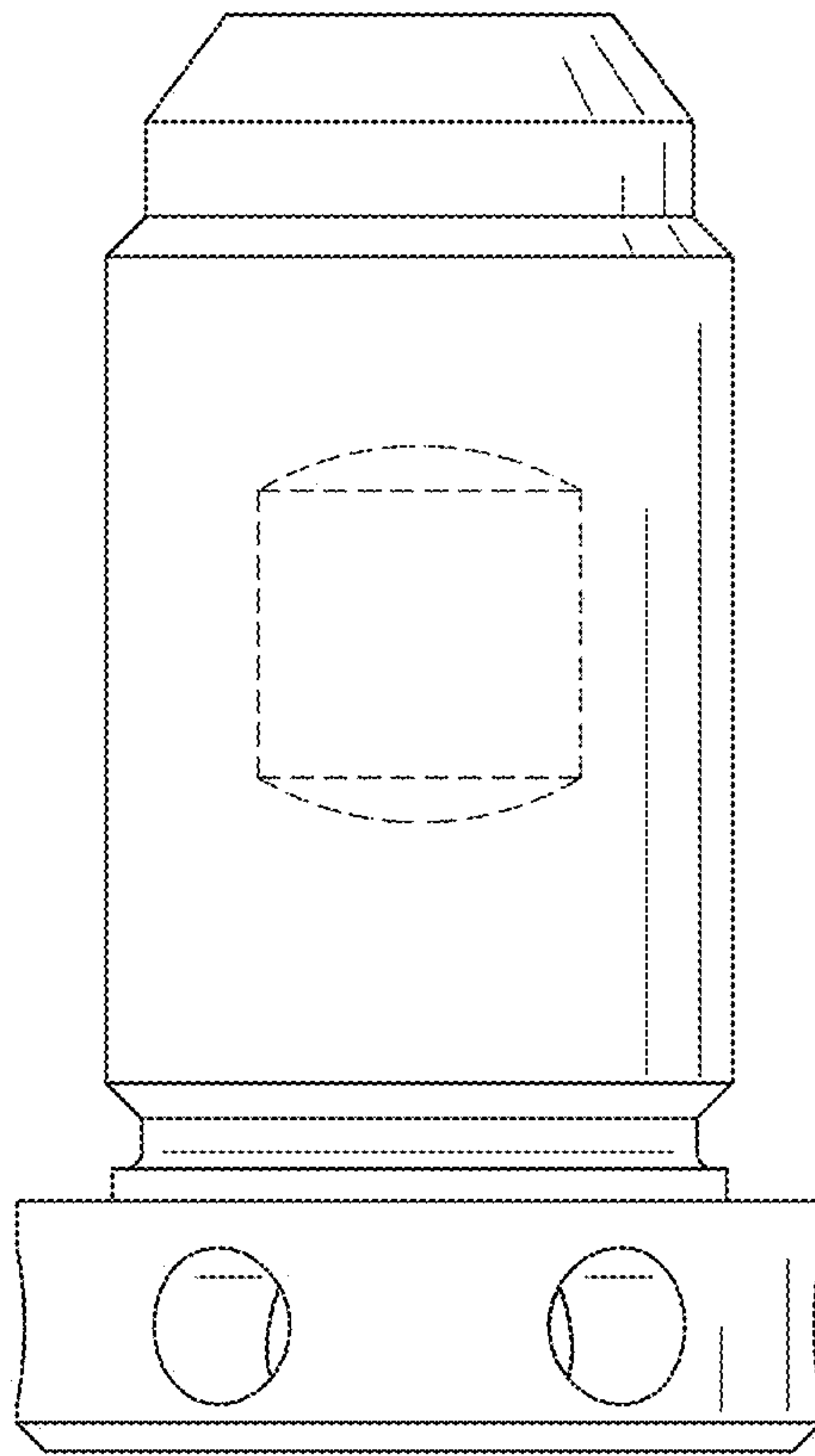


FIG. 6

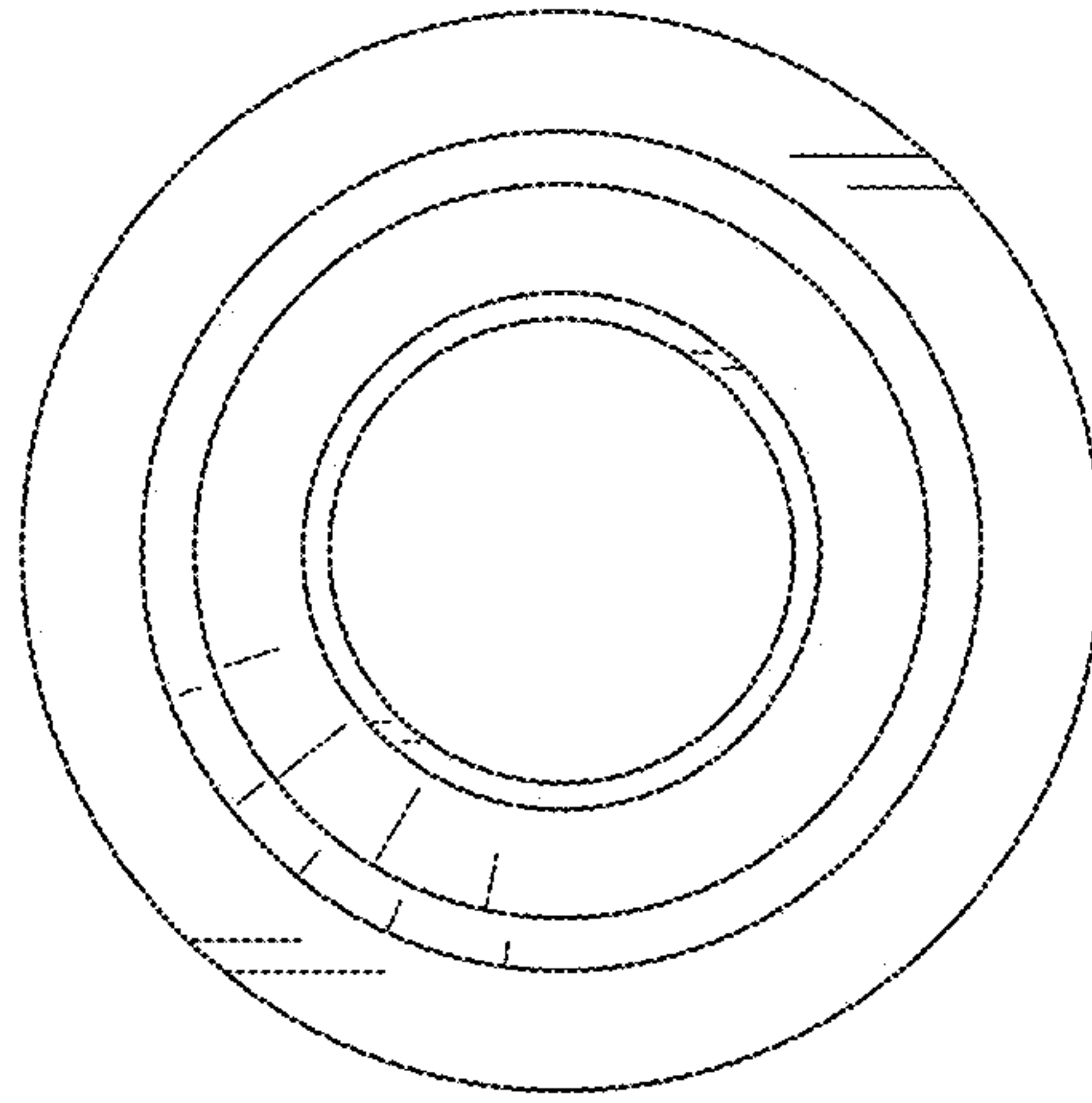


FIG. 7

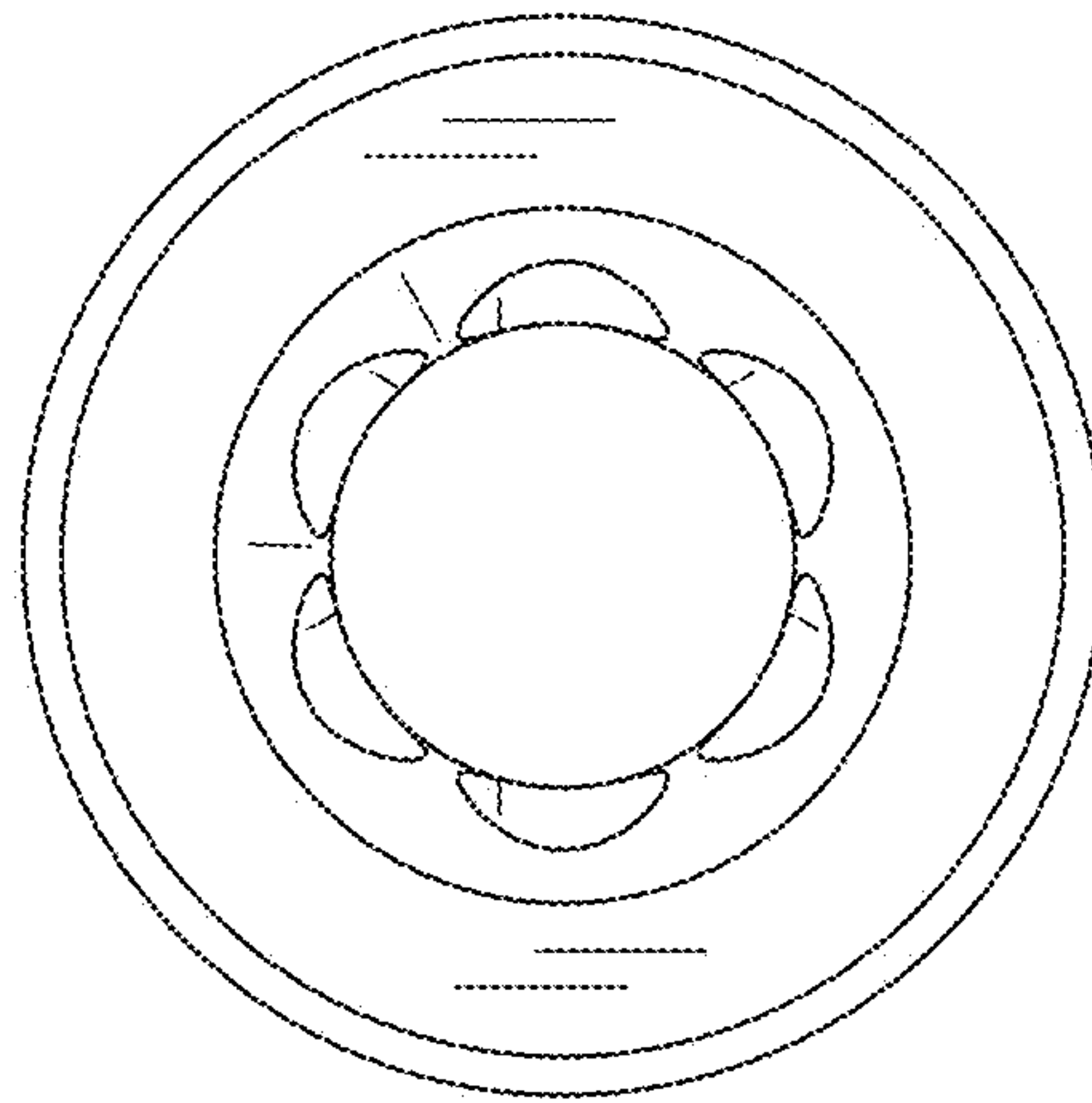


FIG. 8