



US00D953135S

(12) **United States Design Patent**
Yu et al.

(10) **Patent No.:** **US D953,135 S**

(45) **Date of Patent:** **** May 31, 2022**

(54) **DEVICE FOR INSTALLING A SCREEN PROTECTOR**

(71) Applicant: **Shenzhen Lanhe Technologies Co., Ltd.**, Shenzhen (CN)

(72) Inventors: **Peirong Yu**, Guangdong (CN); **Haibin Huang**, Guangdong (CN)

(73) Assignee: **SHENZHEN LANHE TECHNOLOGIES CO., LTD.**, Shenzhen (CN)

(**) Term: **15 Years**

(21) Appl. No.: **29/761,705**

(22) Filed: **Dec. 11, 2020**

(30) **Foreign Application Priority Data**

Jun. 11, 2020 (CN) 202030296451.0

(51) **LOC (13) Cl.** **08-05**

(52) **U.S. Cl.**
USPC **D8/14**

(58) **Field of Classification Search**
USPC D8/14, 71, 354; D14/250, 251, 252, 253
CPC B26C 65/00; B32B 37/18; B32B 37/0046;
B32B 37/003; B32B 38/1841; B29C
63/0004; B29C 2063/0008
See application file for complete search history.

(56) **References Cited**

U.S. PATENT DOCUMENTS

D648,332 S * 11/2011 Kim D14/248
D662,929 S * 7/2012 Fahrendorff D14/250
8,369,072 B1 * 2/2013 Alonzo G06F 1/1637
361/679.01
8,393,377 B2 * 3/2013 Patel B29C 63/0004
156/391
D679,695 S * 4/2013 Fahrendorff D14/250

D696,240 S * 12/2013 Kim D14/250
D698,775 S * 2/2014 Huang D14/250
8,640,759 B2 * 2/2014 Chen B29C 63/0004
455/575.8
D738,172 S * 9/2015 Chen D8/14
D740,626 S * 10/2015 Chen D8/14
D749,068 S * 2/2016 Zaborski D14/250
D757,016 S * 5/2016 Liang D14/440
D767,955 S * 10/2016 Castelli D8/14
D797,546 S * 9/2017 Saideh D8/354
D821,384 S * 6/2018 Jordin D14/250
D904,840 S * 12/2020 Liu D8/14
D908,472 S * 1/2021 Zhang D8/354
D920,080 S * 5/2021 Hofstrand D8/354
D945,251 S * 3/2022 Zhang D8/354

(Continued)

Primary Examiner — Philip S Hyder

(74) *Attorney, Agent, or Firm* — Andrew C. Cheng

(57) **CLAIM**

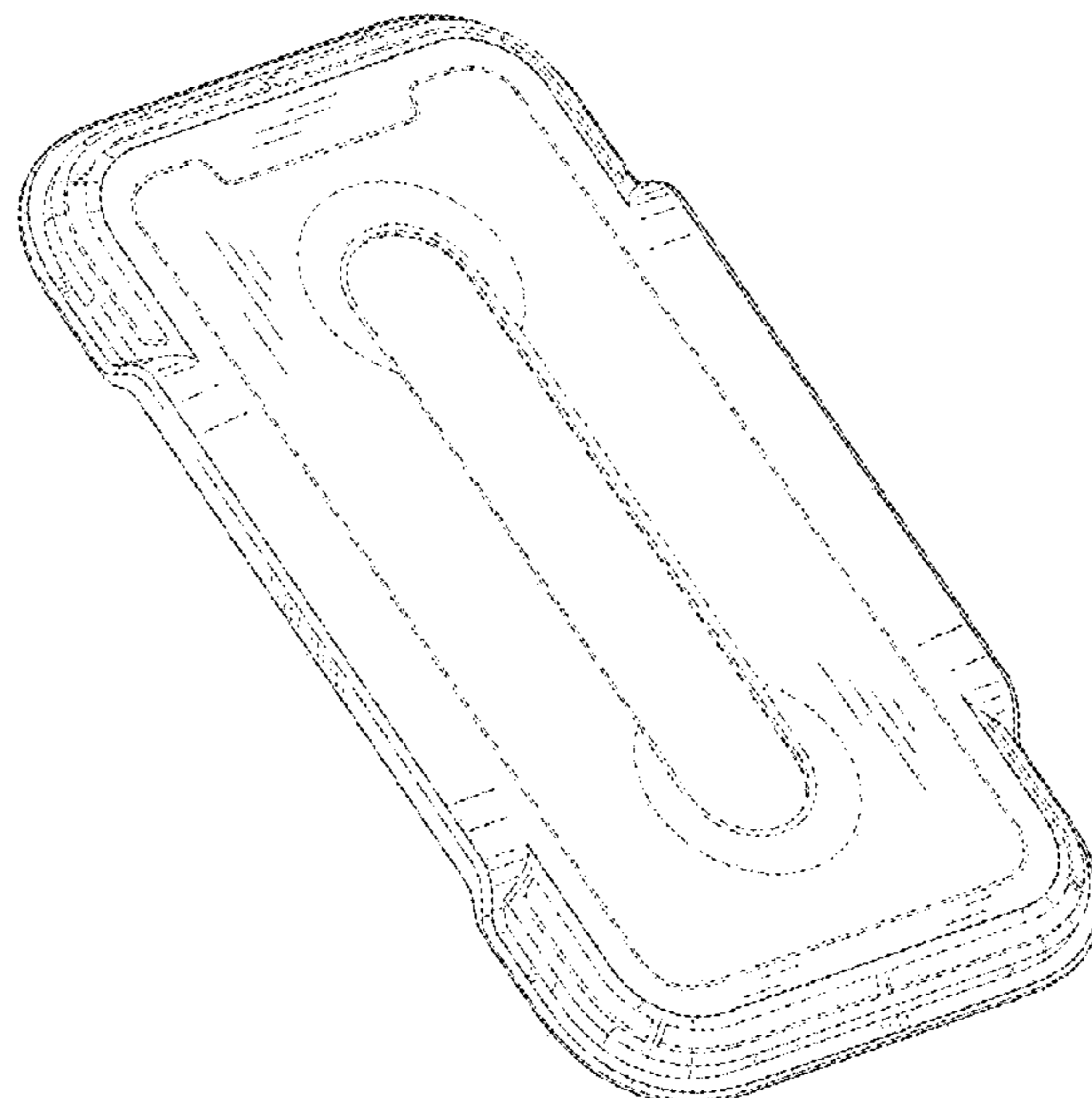
We claim the ornamental design for a device for installing a screen protector, as shown and described.

DESCRIPTION

FIG. 1 is a front view of a device for installing a screen protector showing our new design;
FIG. 2 is a rear view thereof;
FIG. 3 is a left side view thereof;
FIG. 4 is a right side view thereof;
FIG. 5 is a top view thereof;
FIG. 6 is a bottom view thereof;
FIG. 7 is a first perspective view thereof;
FIG. 8 is a second perspective view thereof, viewed from another aspect; and,
FIG. 9 is an exploded view of FIG. 8.

The broken lines shown in the drawings illustrate portions of the device for installing a screen protector that forms no part of claimed design.

1 Claim, 9 Drawing Sheets



(56)

References Cited

U.S. PATENT DOCUMENTS

2014/0130971 A1* 5/2014 Wu H04B 1/3888
156/249
2016/0009024 A1* 1/2016 Mason B29C 63/02
156/391

* cited by examiner

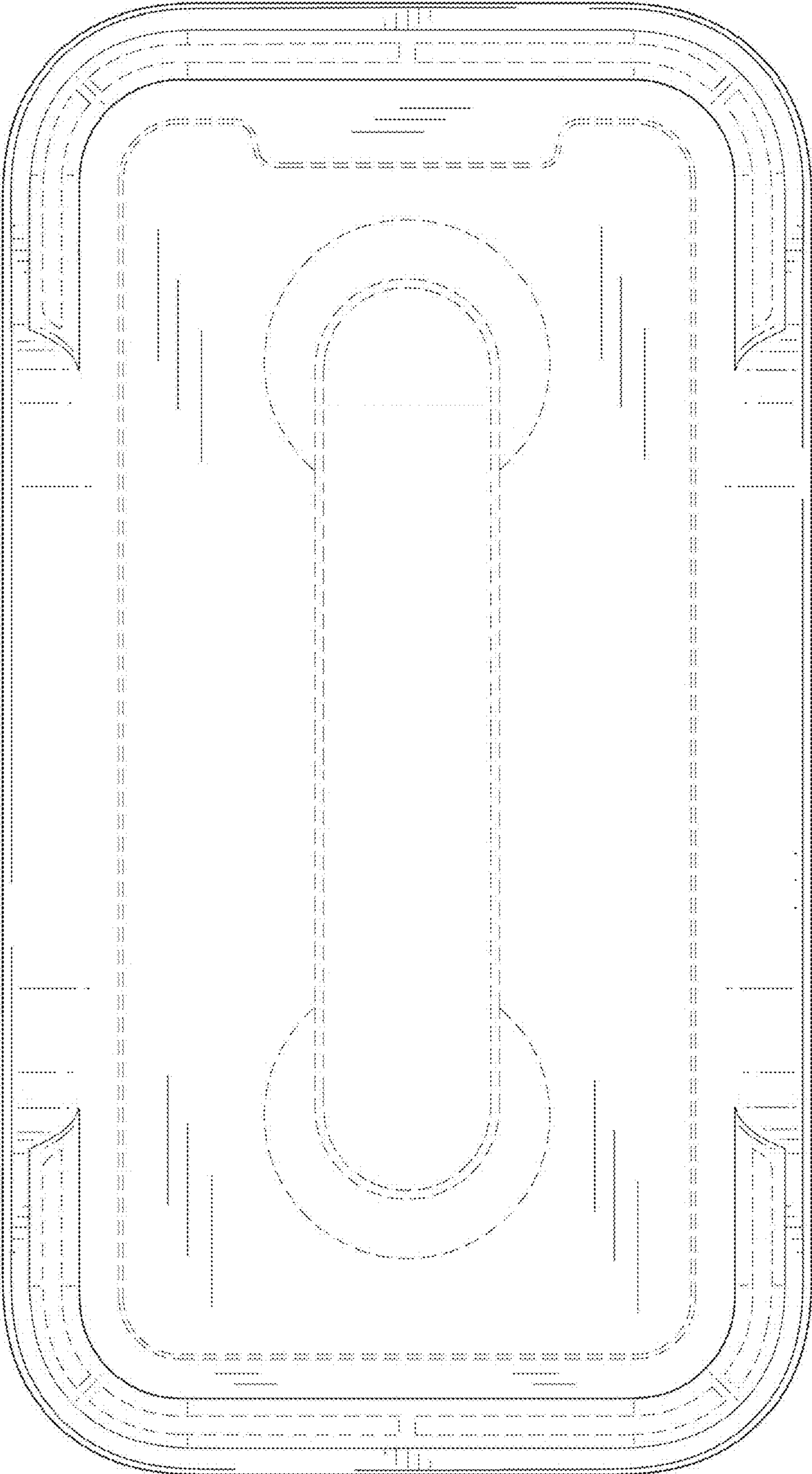


Fig. 1

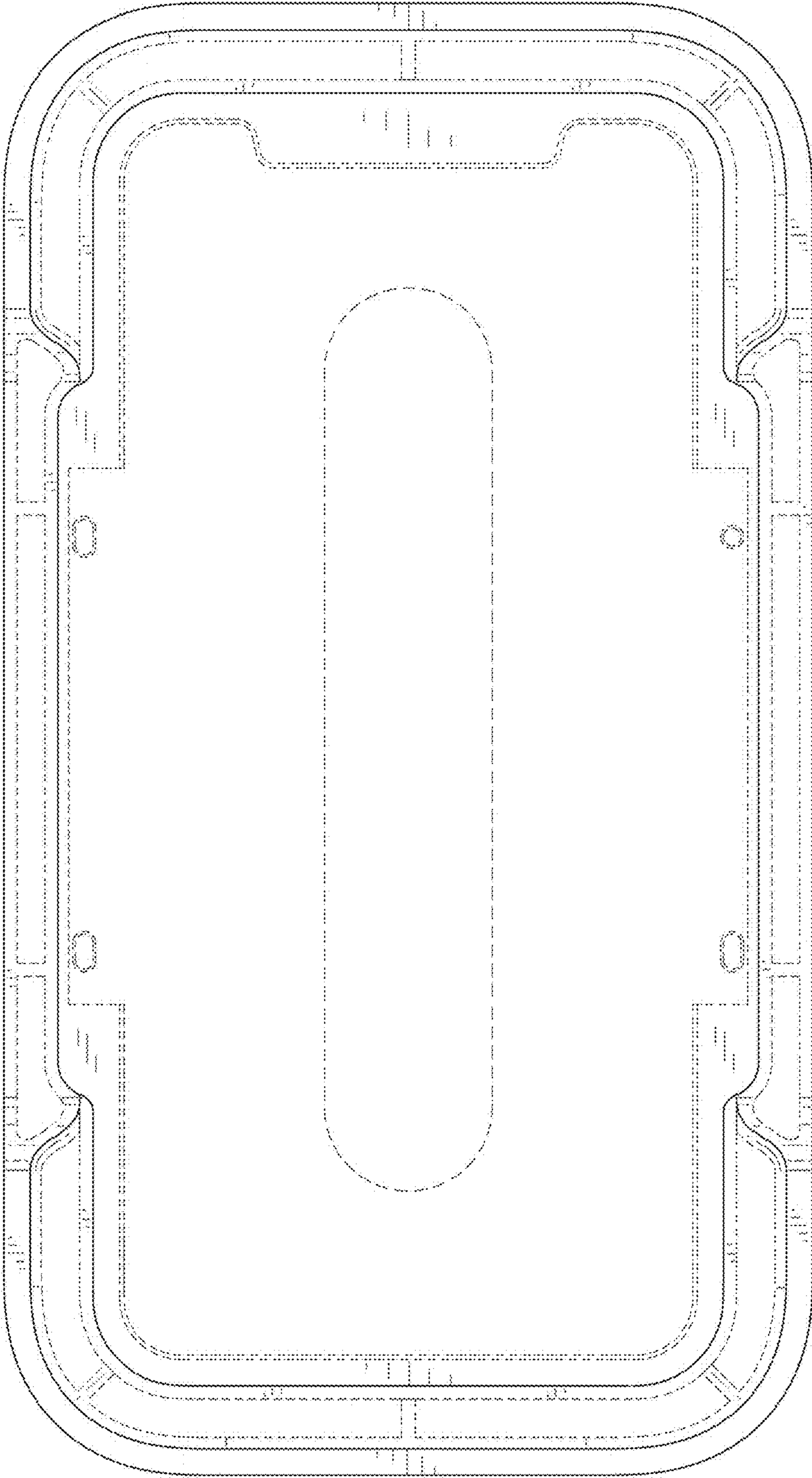


Fig. 2

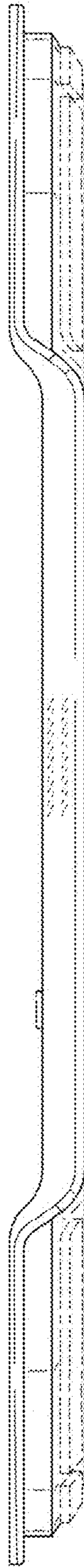


Fig. 3

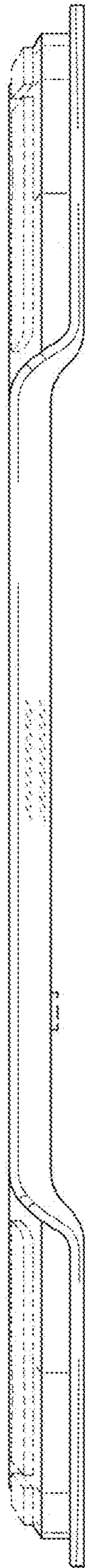


Fig. 4

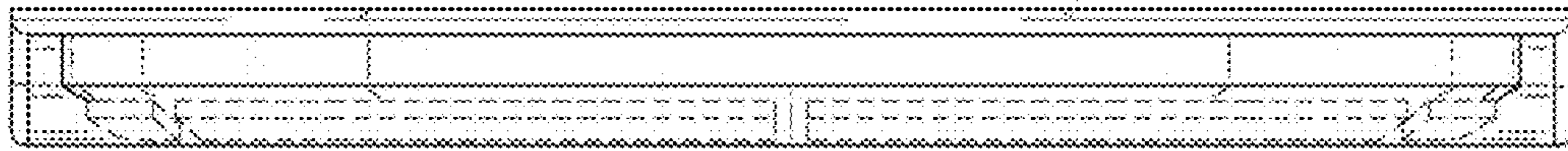


Fig. 5

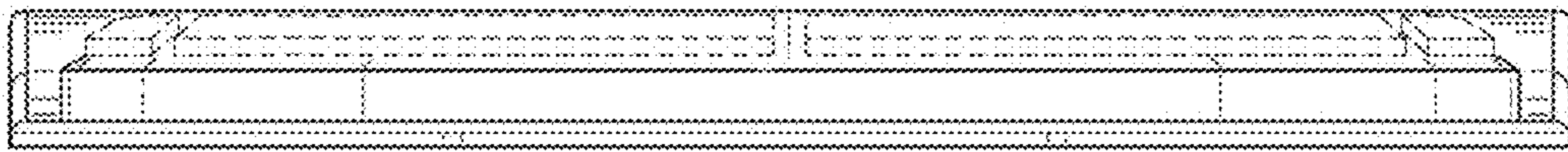


Fig. 6

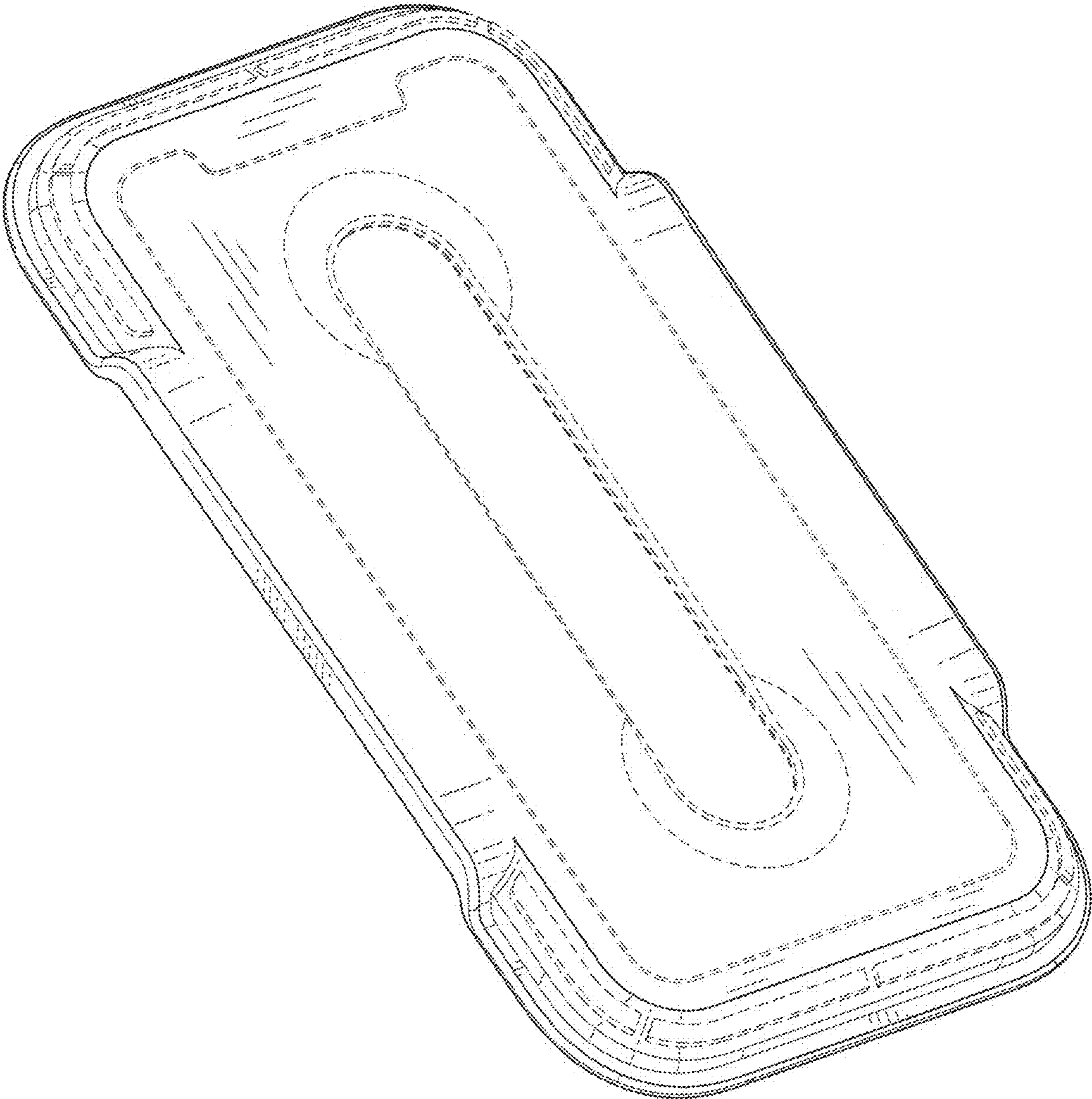


Fig. 7

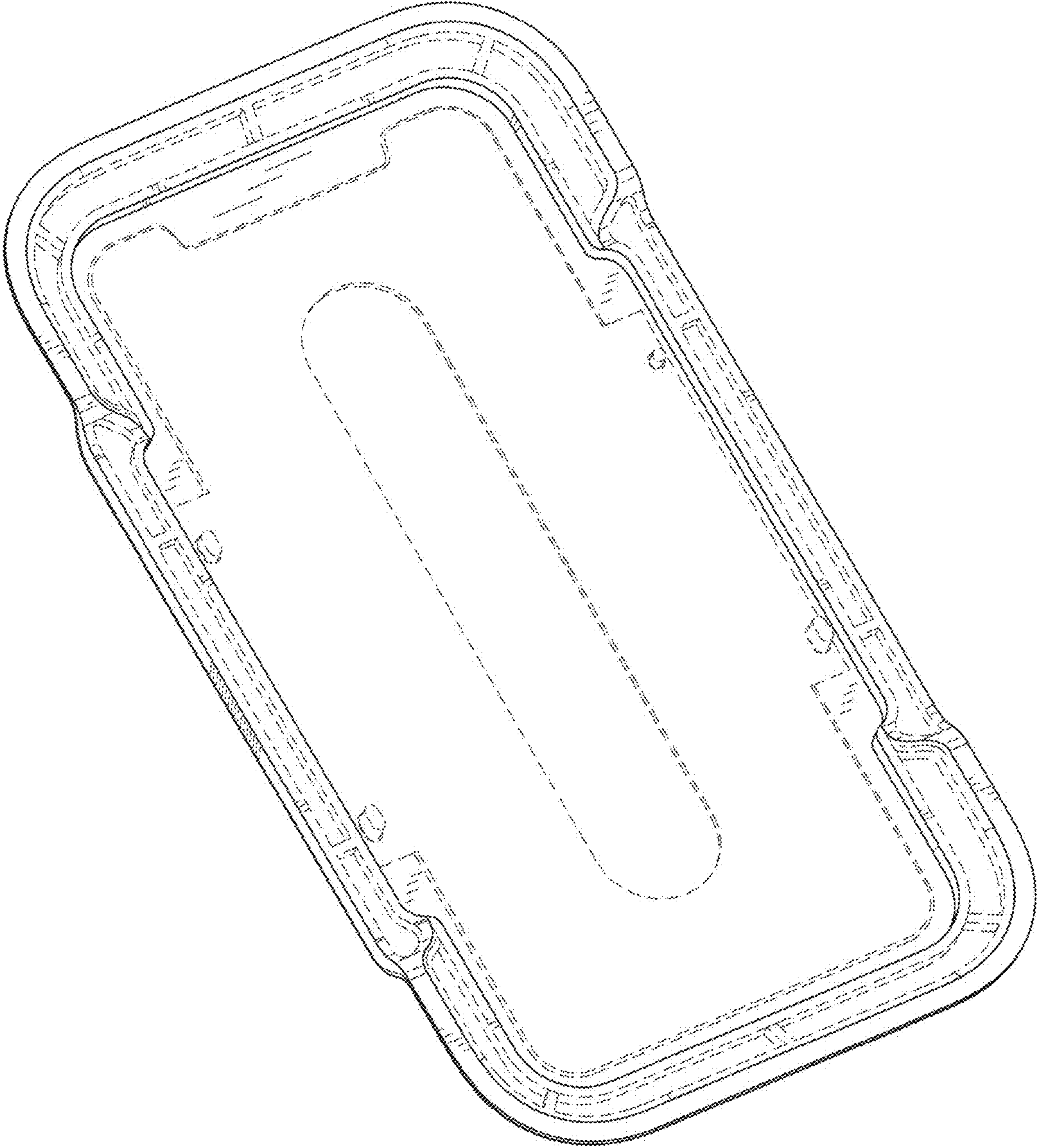


Fig. 8

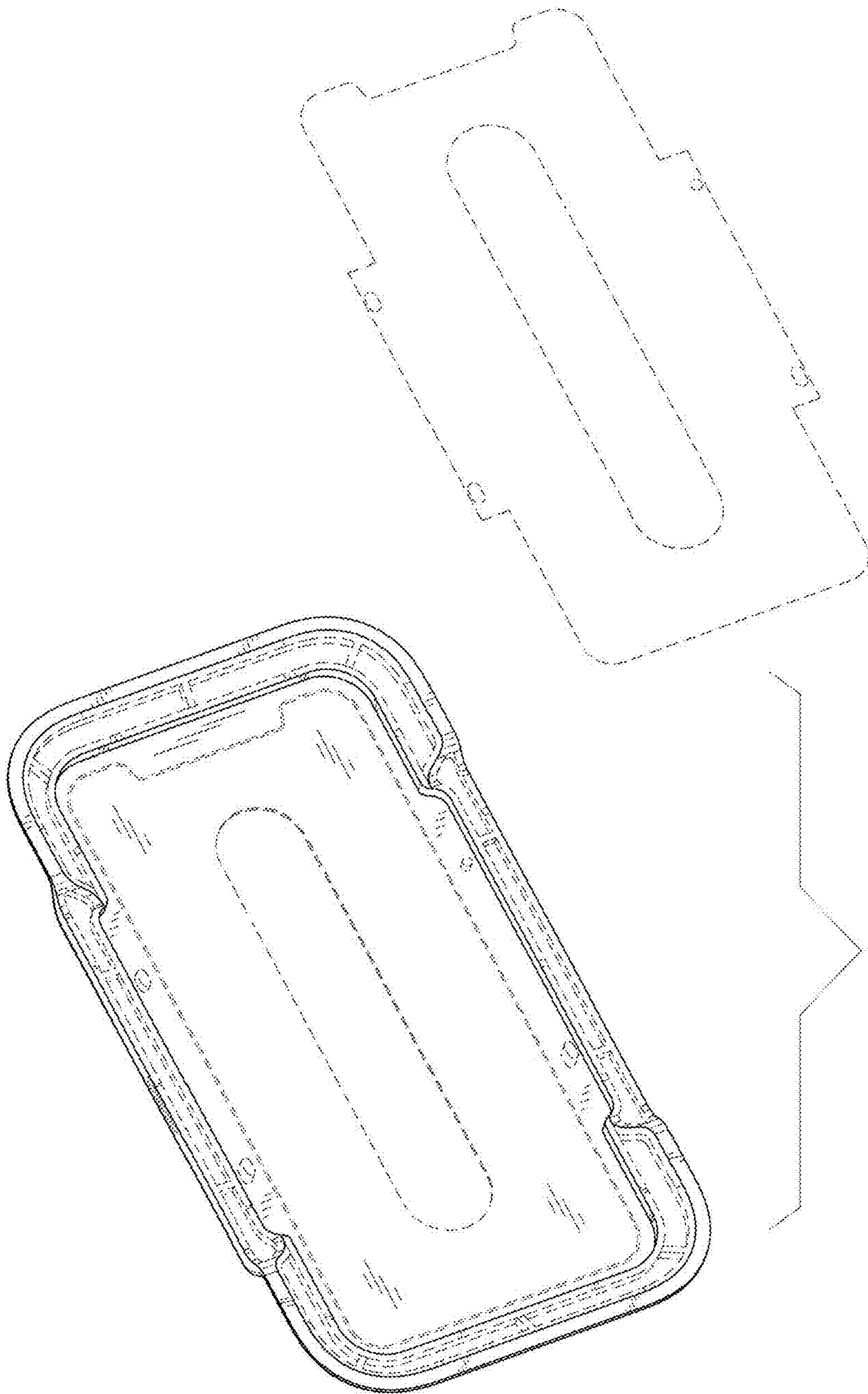


Fig. 9