



US00D953133S

(12) **United States Design Patent** (10) **Patent No.:** **US D953,133 S**
Kashima (45) **Date of Patent:** **** May 31, 2022**

(54) **EXTRACTOR TOOL**
(71) Applicant: **Brian Kashima**, Makawao, HI (US)
(72) Inventor: **Brian Kashima**, Makawao, HI (US)
(**) Term: **15 Years**
(21) Appl. No.: **29/738,420**

(22) Filed: **Jun. 17, 2020**
(51) **LOC (13) Cl.** **08-05**
(52) **U.S. Cl.**
USPC **D8/14**
(58) **Field of Classification Search**
USPC D8/14, 51, 105, 86
CPC B25B 27/18; B25B 15/00; B25B 15/001;
B25B 15/005; B25B 15/007; B25B 15/02;
B23K 20/1255
See application file for complete search history.

(56) **References Cited**

U.S. PATENT DOCUMENTS

D284,637 S * 7/1986 Erickson D8/14
5,102,100 A 4/1992 Troncoso, Jr.
5,205,541 A 4/1993 Roberts et al.
D383,048 S * 9/1997 Sorensen D8/105
D412,823 S * 8/1999 Liao D8/107
D450,229 S * 11/2001 Lin D8/105
6,751,819 B2 * 6/2004 Chuang B25B 13/56
157/1.3
6,761,089 B2 * 7/2004 Bergamo B25B 27/18
81/441
D540,632 S * 4/2007 Wong D8/14
D545,167 S * 6/2007 Liu D8/105
8,065,938 B1 11/2011 Kravitch
D711,208 S * 8/2014 Hardinge D8/105
D712,221 S * 9/2014 Kovach D8/14
9,101,988 B1 * 8/2015 Shannon B23B 51/0054
D794,409 S * 8/2017 Anderson D8/86
10,040,185 B2 8/2018 Davis
D840,208 S * 2/2019 Scott B25F 1/04
D8/107

D853,212 S * 7/2019 Whited D8/14
D866,286 S * 11/2019 Parks D8/105
D927,272 S * 8/2021 Tian D8/14
2004/0255727 A1 * 12/2004 Kovach B25B 13/48
81/176.15
2011/0252925 A1 * 10/2011 Whitehead B25B 15/005
81/53.2
2013/0255452 A1 * 10/2013 Kovach B25B 13/5083
81/443
2018/0325007 A1 11/2018 Tollefsrud

FOREIGN PATENT DOCUMENTS

WO 2007125447 11/2007

OTHER PUBLICATIONS

Utility U.S. Appl. No. 16/936,971, filed Jul. 23, 2020.

* cited by examiner

Primary Examiner — Philip S Hyder
(74) *Attorney, Agent, or Firm* — Jeffrey G. Sheldon;
Katherine B. Sales; Cislo & Thomas LLP

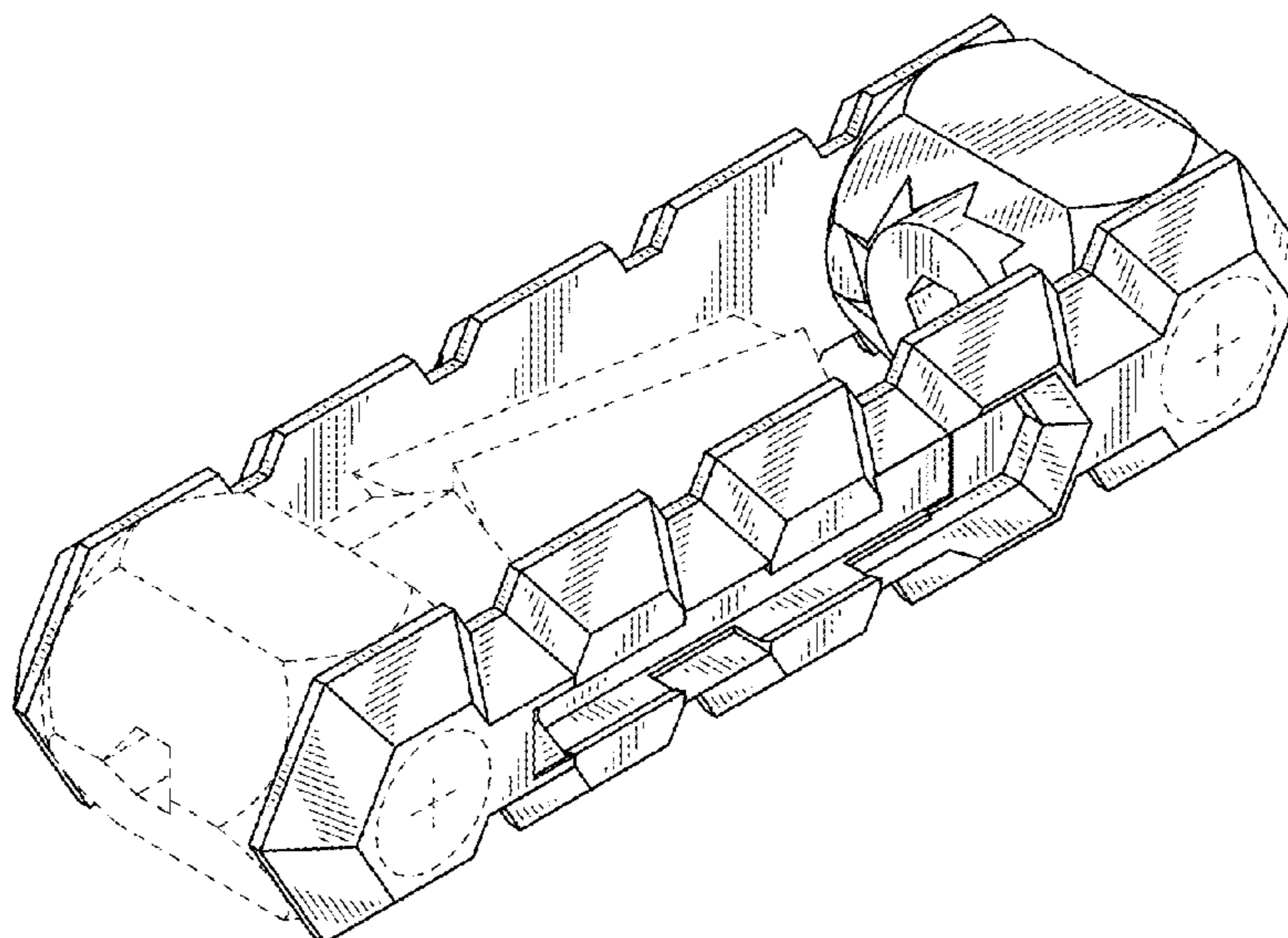
(57) **CLAIM**

The ornamental design for an extractor tool, as shown and described.

DESCRIPTION

FIG. 1 is a perspective view of an extractor tool, showing the new design;
FIG. 2 is a front elevation view;
FIG. 3 is a rear elevation view;
FIG. 4 is a top plan view thereof;
FIG. 5 is a bottom plan view thereof;
FIG. 6 is a left side elevation view thereof; and,
FIG. 7 is a right side elevation view thereof.
The broken lines depict portions of the extractor tool in which the design is embodied, that form no part of the claimed design.

1 Claim, 4 Drawing Sheets



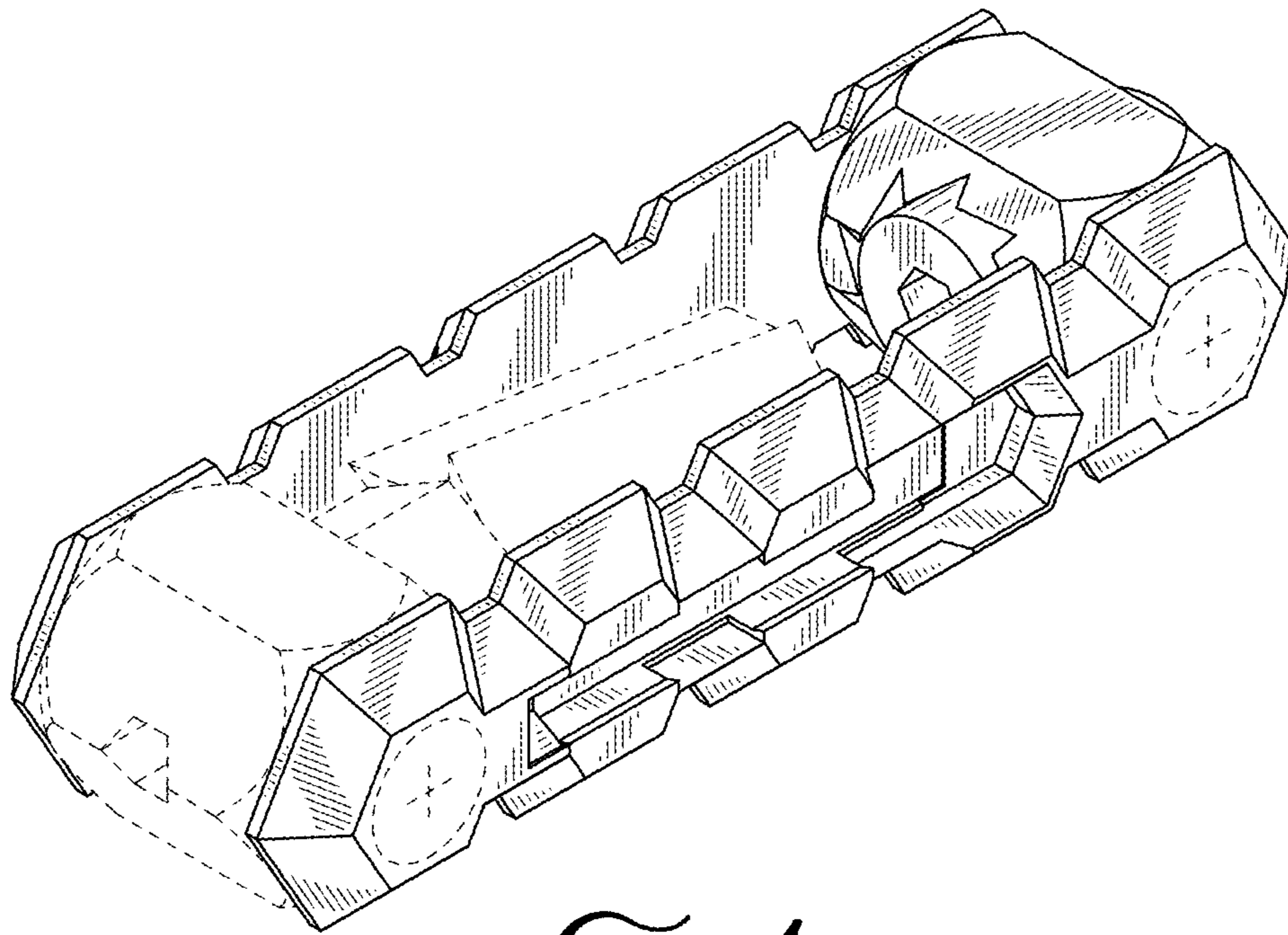


FIG. 1

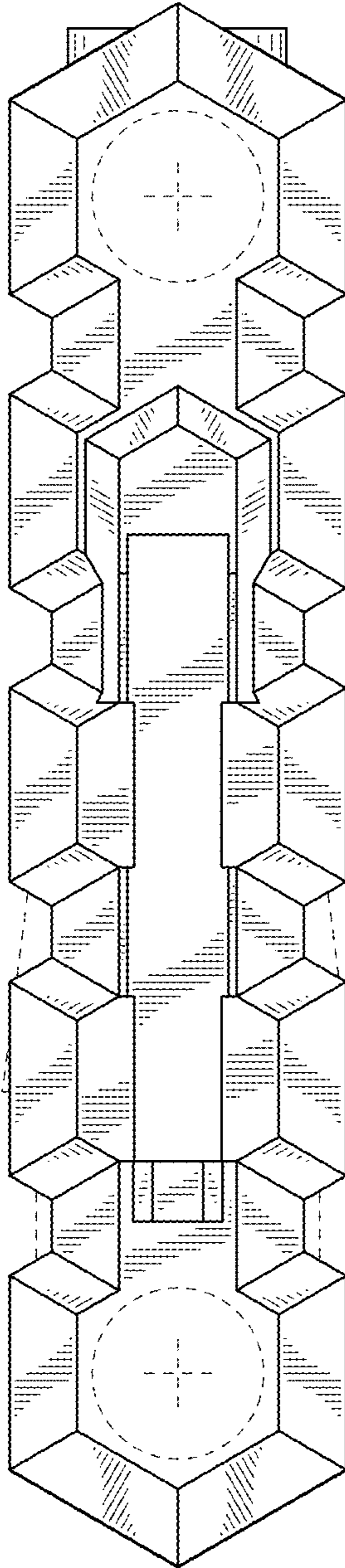


FIG. 2

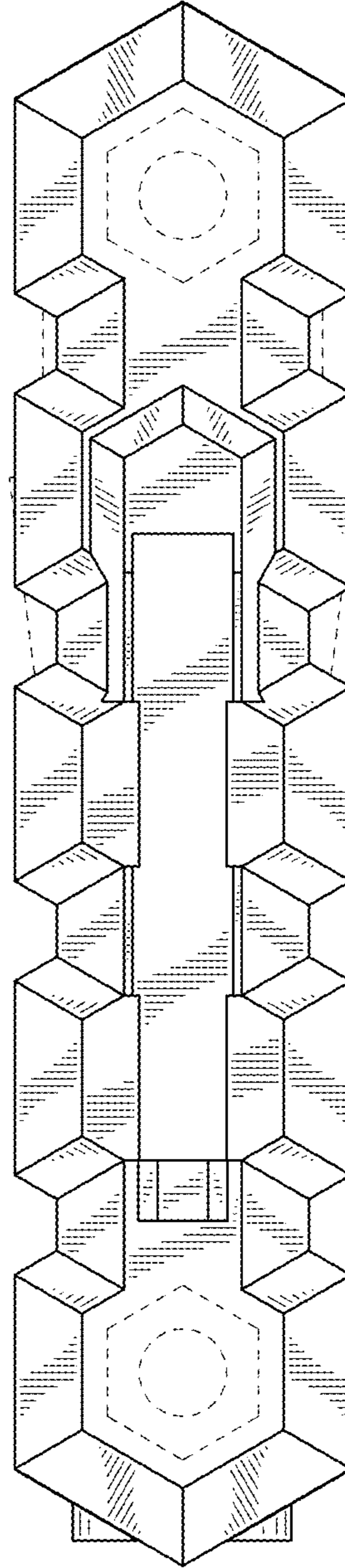


FIG. 3

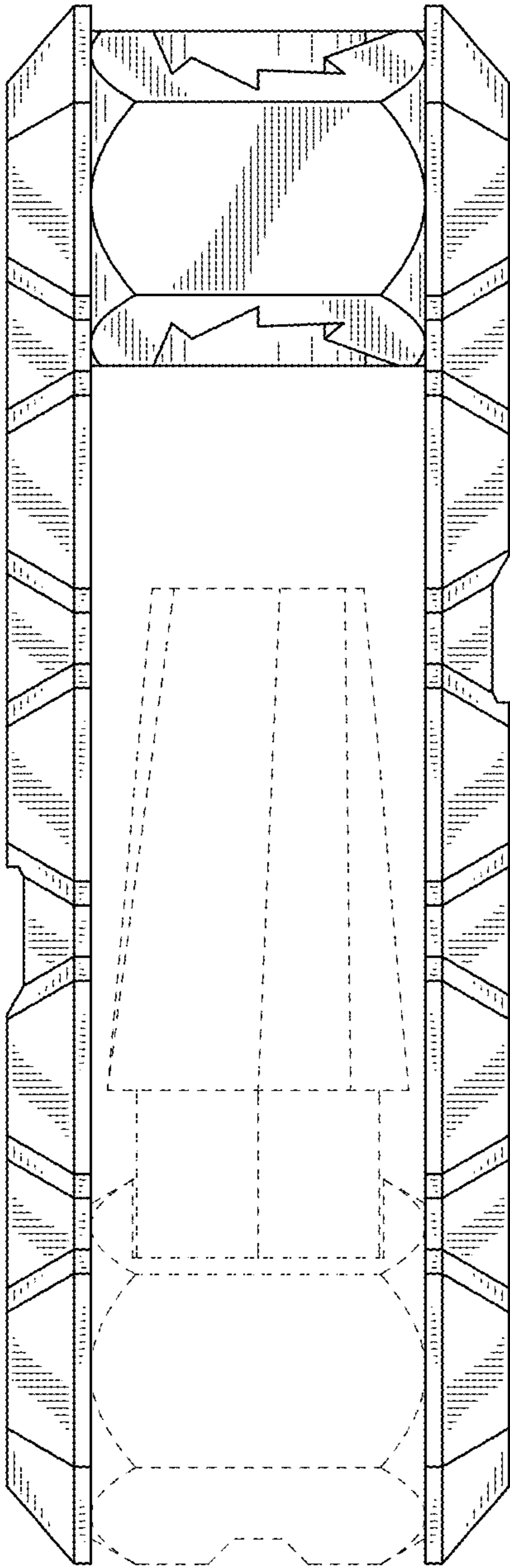


FIG. 4

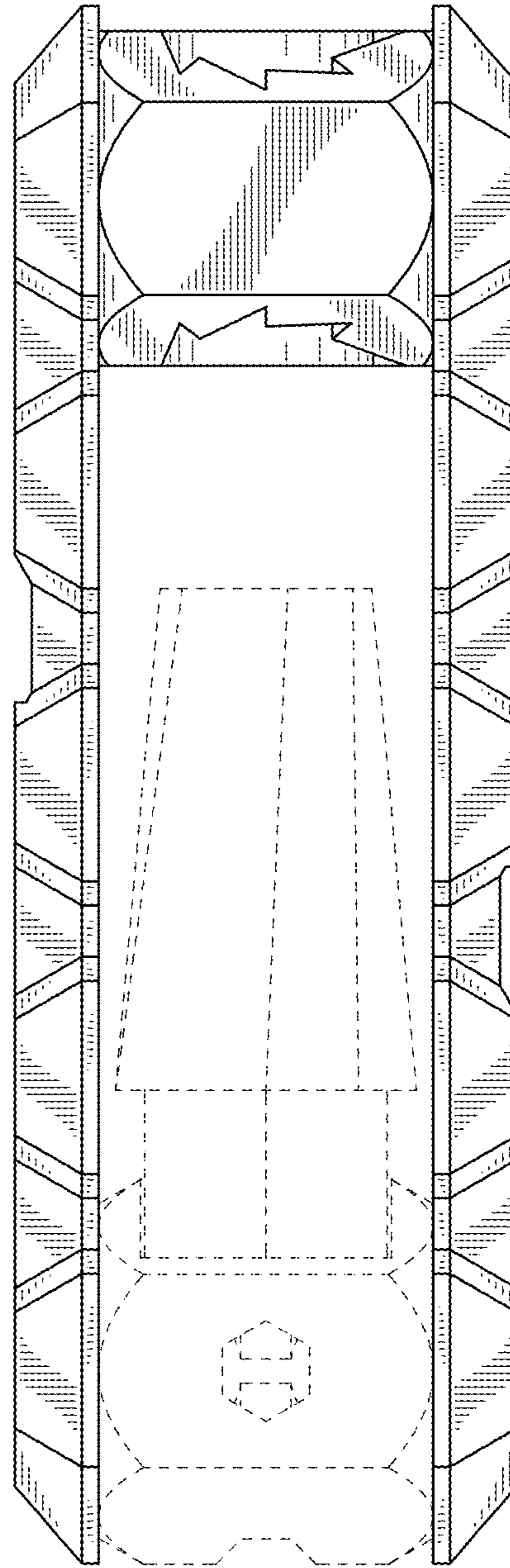


FIG. 5

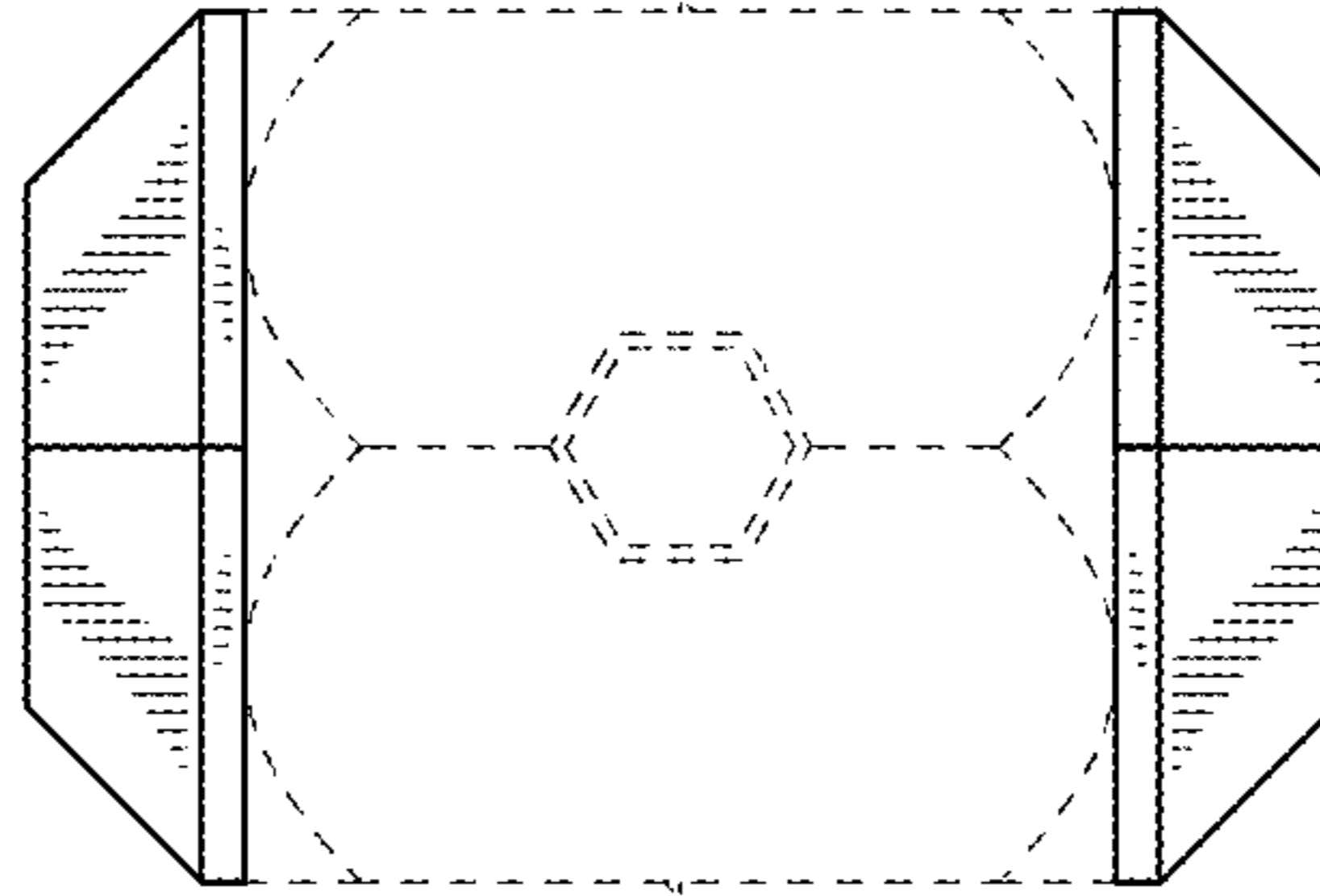


FIG. 6

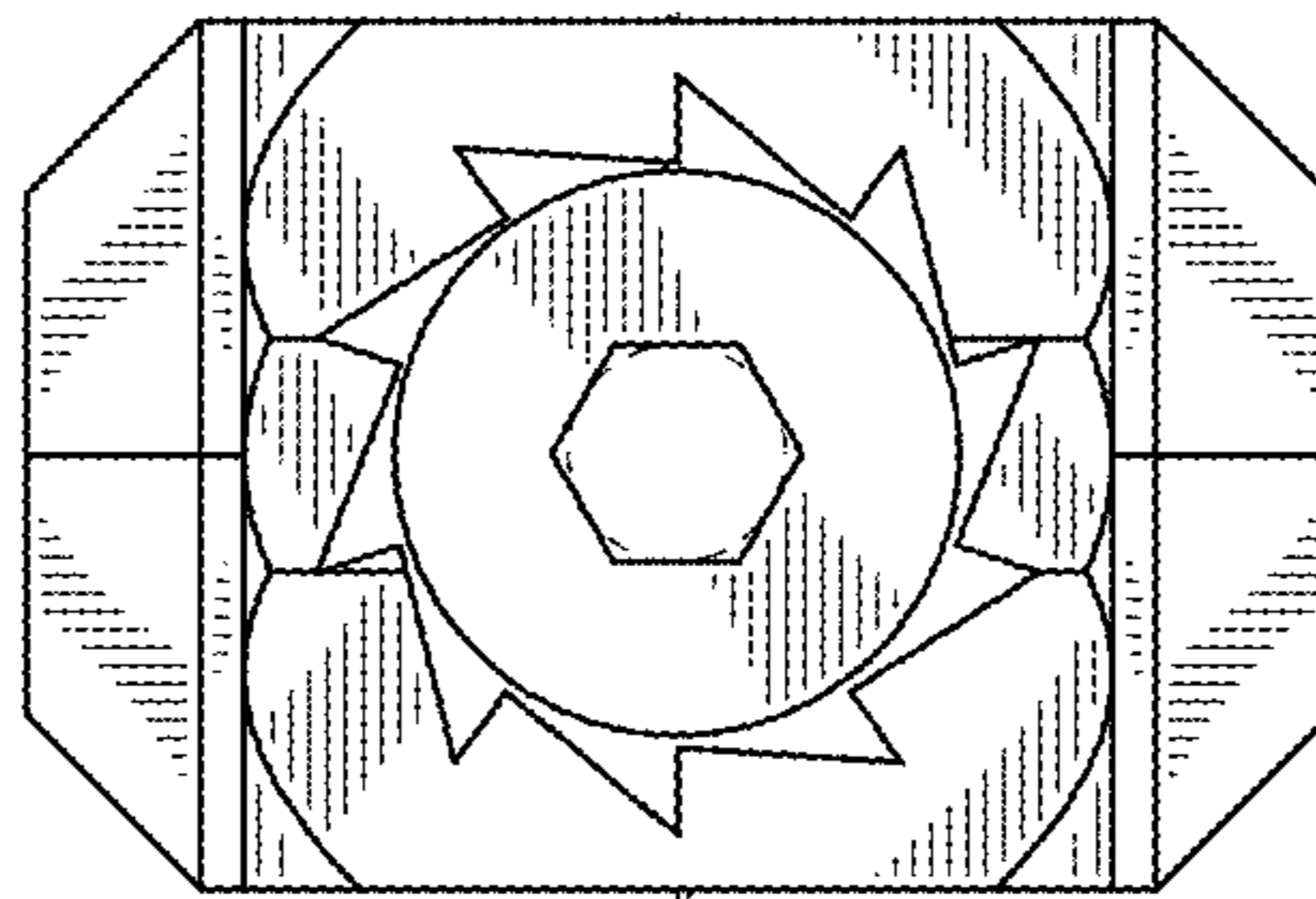


FIG. 7