



US00D953132S

(12) **United States Design Patent**
Yoon

(10) **Patent No.:** **US D953,132 S**
(45) **Date of Patent:** **** May 31, 2022**

(54) **MULTIFUNCTION TOOL**

(71) Applicant: **Dong Soon Yoon**, Seoul (KR)

(72) Inventor: **Dong Soon Yoon**, Seoul (KR)

(**) Term: **15 Years**

(21) Appl. No.: **35/511,588**

(22) Filed: **Sep. 23, 2020**

(80) **Hague Agreement Data**
 Int. Filing Date: **Sep. 23, 2020**
 Int. Reg. No.: **DM/212381**
 Int. Reg. Date: **Sep. 23, 2020**
 Int. Reg. Pub. Date: **Mar. 26, 2021**

(30) **Foreign Application Priority Data**
 Mar. 23, 2020 (KR) 30-2020-0012776

(51) **LOC (13) Cl.** **08-01**

(52) **U.S. Cl.**
 USPC **D8/7**

(58) **Field of Classification Search**
 USPC D8/7, 12, 16, 19, 20, 100-105, 98, 99;
 D21/568
 CPC B23D 51/10; B23D 67/12; B23D 79/08;
 B25F 1/02; B25F 5/02; B26B 3/00; B26B
 5/00; B26B 9/00; B26B 25/005
 See application file for complete search history.

(56) **References Cited**
U.S. PATENT DOCUMENTS

1,777,029 A * 9/1930 Bradford A01B 1/08
 D8/7

2,684,250 A * 7/1954 Bennett B26B 5/00
 279/83

D261,168 S * 10/1981 Rice, Jr. D8/20

4,387,510 A * 6/1983 Hashemifard B26B 3/00
 30/344

D274,117 S * 6/1984 Lapps D8/7

4,574,479 A * 3/1986 Gramann B26B 3/00
 7/113

D301,969 S * 7/1989 Giordano D22/117

D322,019 S * 12/1991 Cox D8/76

5,243,763 A * 9/1993 Persson B26B 3/00
 30/340

D362,485 S * 9/1995 Hall D22/118

D382,187 S * 8/1997 Hibben D22/118

D435,408 S * 12/2000 Panfili B26B 3/00
 D8/16

D443,803 S * 6/2001 Horne D8/18

D519,798 S * 5/2006 Dallas D8/20

D560,460 S * 1/2008 Taylor D8/76

D584,931 S * 1/2009 Richardson D8/19

D662,787 S * 7/2012 Holmes D7/649

D666,669 S * 9/2012 Present D19/110

8,512,107 B1 * 8/2013 Grover A22B 5/0047
 452/132

D689,545 S * 9/2013 Present D19/110

D700,026 S * 2/2014 Ruppert D8/7

D729,023 S * 5/2015 Alho D8/19

D751,882 S * 3/2016 Bloch D8/20

D852,011 S * 6/2019 Lemmons D8/7

(Continued)

Primary Examiner — Keli L Hill

(57) **CLAIM**

The ornamental design for a multi-function tool, as shown and described.

DESCRIPTION

1. Multi-function tool

1.1 : Perspective

1.2 : Front

1.3 : Back

1.4 : Right

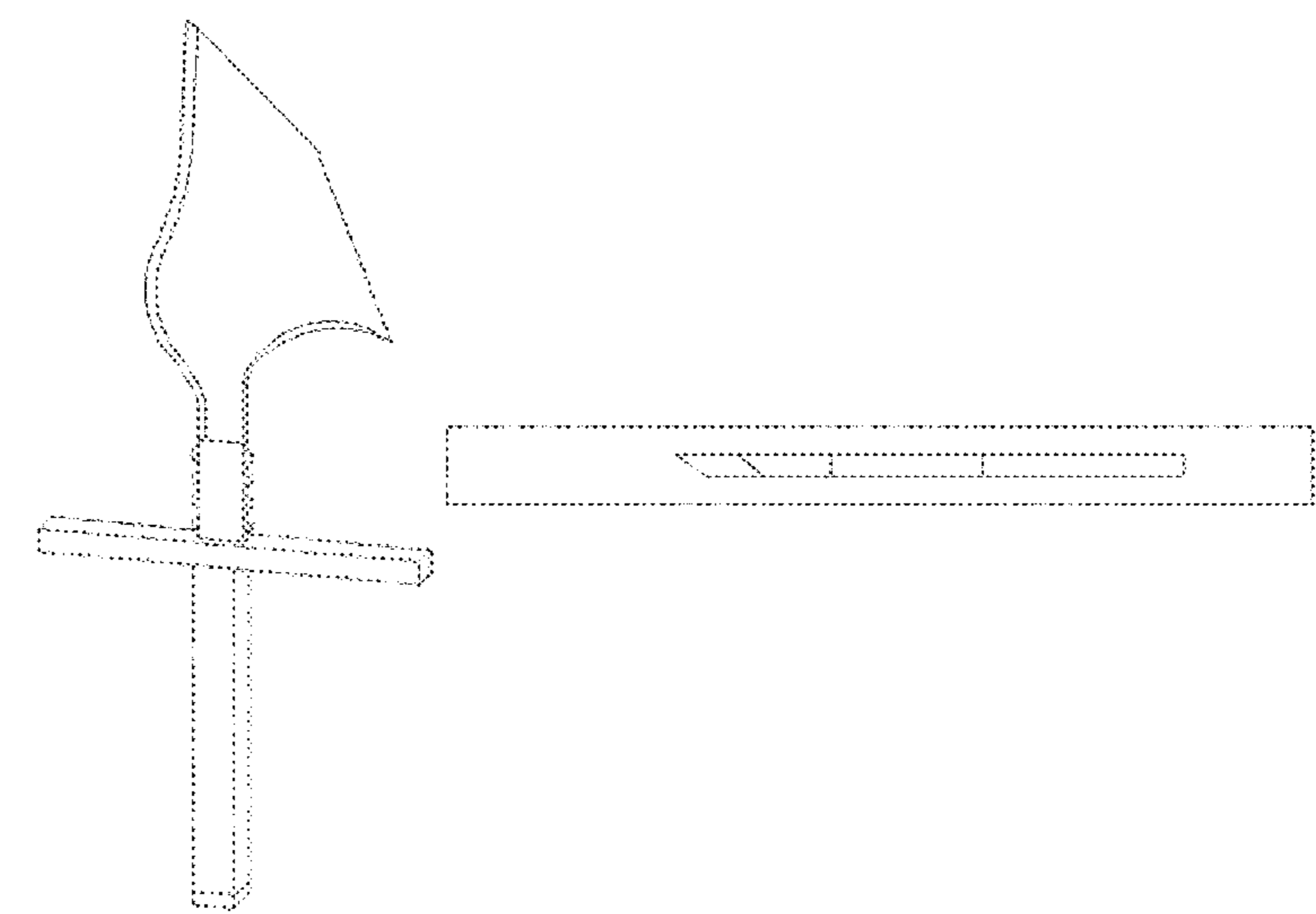
1.5 : Left

1.6 : Top

1.7 : Bottom

The broken lines indicate portions of the article that form no part of the claimed design.

1 Claim, 7 Drawing Sheets



(56)

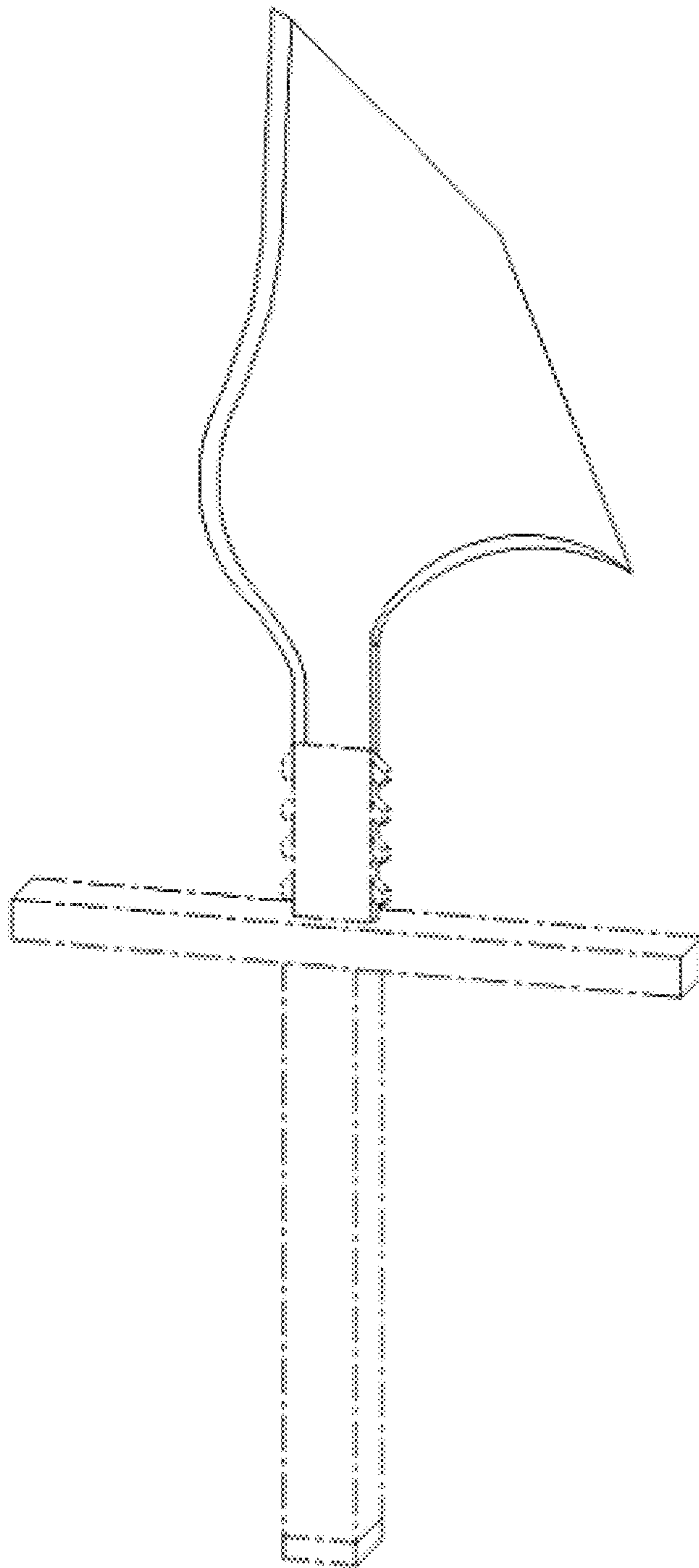
References Cited

U.S. PATENT DOCUMENTS

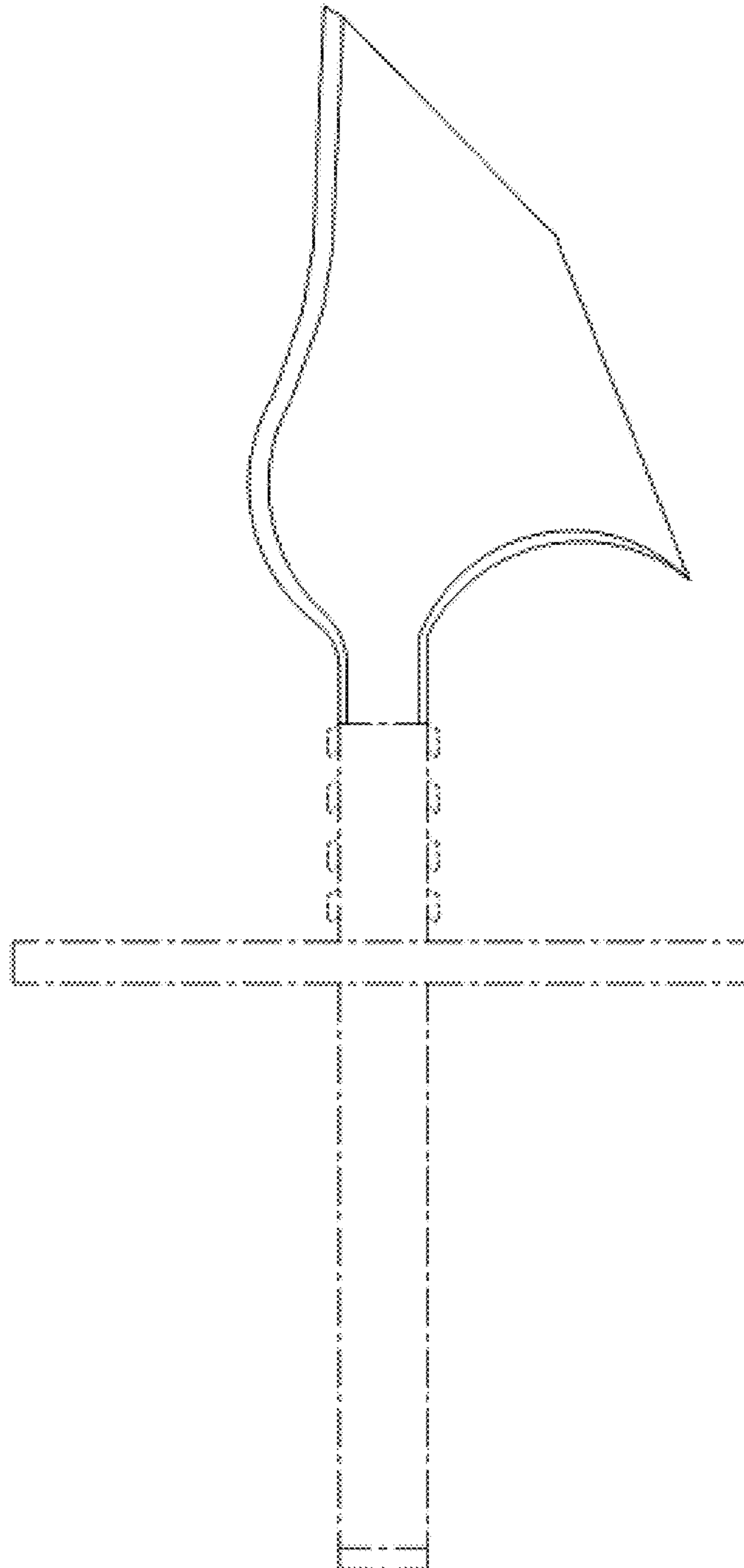
D869,254 S * 12/2019 Bloch D8/20
2015/0342312 A1 * 12/2015 Khoshnood A45B 3/00
30/353
2021/0368849 A1 * 12/2021 Liuzza A24F 9/04

* cited by examiner

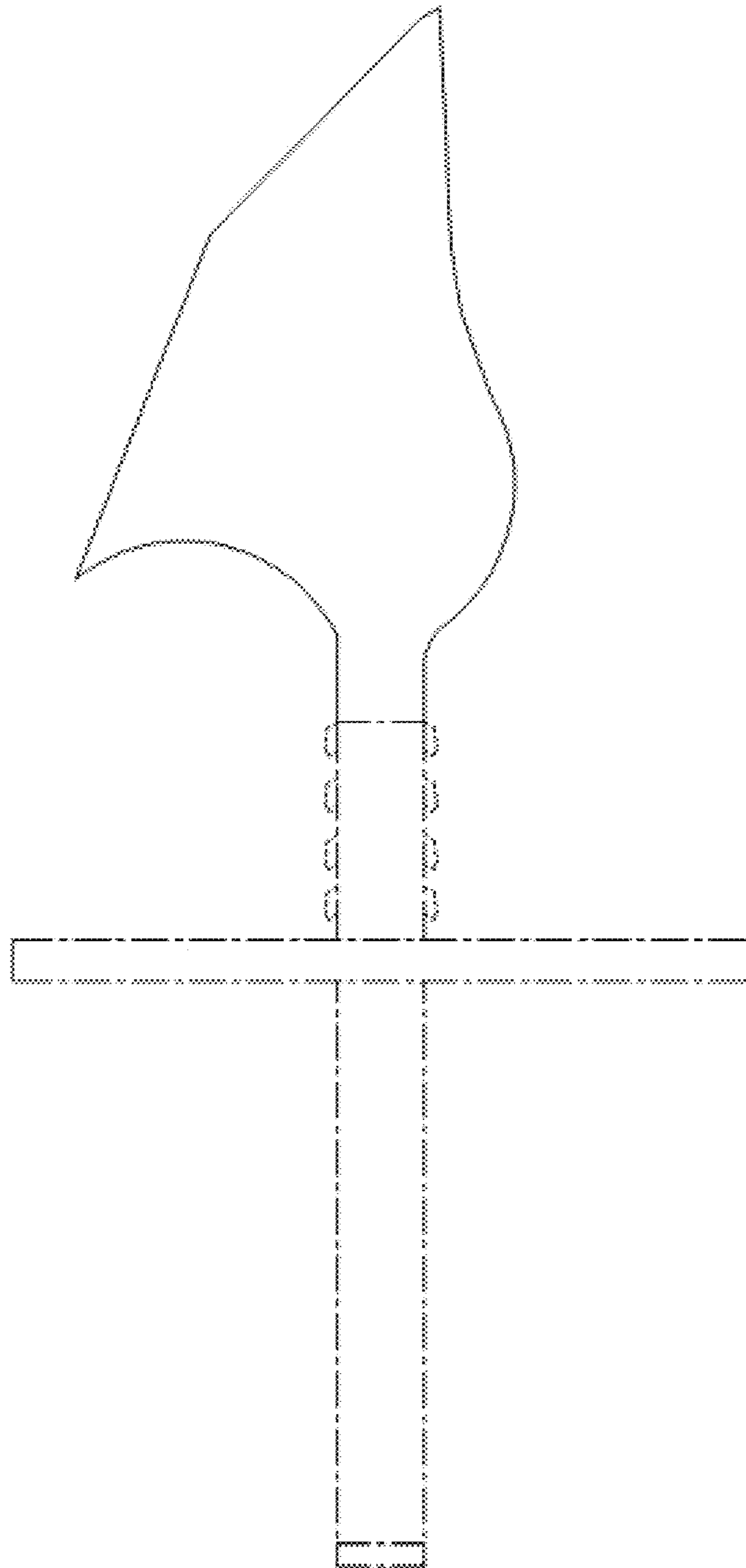
1.1



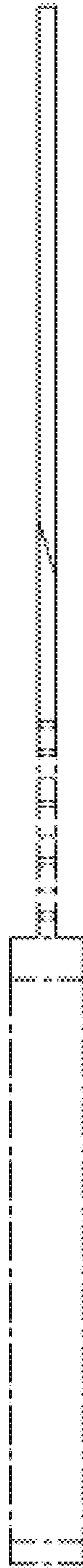
1.2



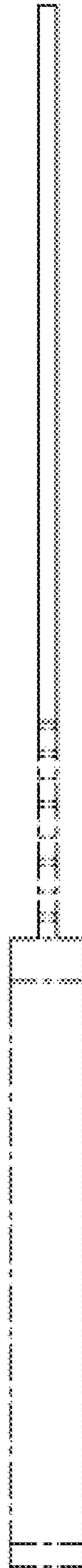
1.3



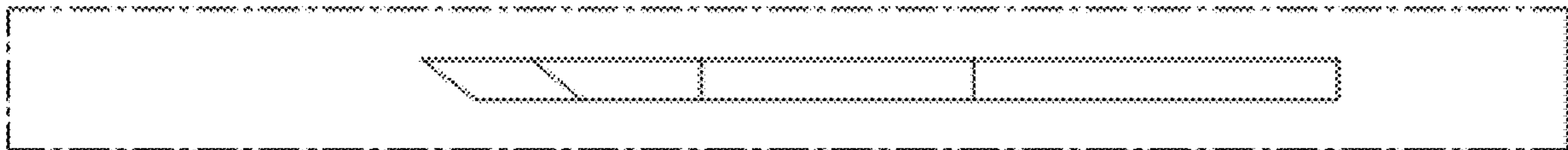
1.4



1.5



1.6



1.7

