



US00D953130S

(12) **United States Design Patent** (10) **Patent No.:** **US D953,130 S**
Fletcher (45) **Date of Patent:** **** May 31, 2022**

(54) **PLANT PROTECTION DEVICE**
(71) Applicant: **Ashley Fletcher**, San Diego, CA (US)
(72) Inventor: **Ashley Fletcher**, San Diego, CA (US)
(**) Term: **15 Years**
(21) Appl. No.: **29/671,442**
(22) Filed: **Nov. 27, 2018**
(51) **LOC (13) Cl.** **08-01**
(52) **U.S. Cl.**
USPC **D8/1**
(58) **Field of Classification Search**
USPC D8/1, 10, 71-74, 394-396; D3/294;
D9/519; D7/354, 674, 672, 677
CPC . A23G 9/221; A23G 9/22; A23G 9/44; A23G
9/503
See application file for complete search history.

D936,417 S * 11/2021 Su A01G 13/0237
D7/400
2007/0079548 A1 4/2007 Bakowski
2018/0208391 A1* 7/2018 Kim A23G 9/503
2019/0159408 A1* 5/2019 Fletcher A01G 13/0237

FOREIGN PATENT DOCUMENTS

CN 203290002 U 11/2013

* cited by examiner

Primary Examiner — Calvin E Vansant
(74) *Attorney, Agent, or Firm* — Knobbe, Martens, Olson & Bear LLP

(57) **CLAIM**

The ornamental design for a plant protection device, as shown and described.

DESCRIPTION

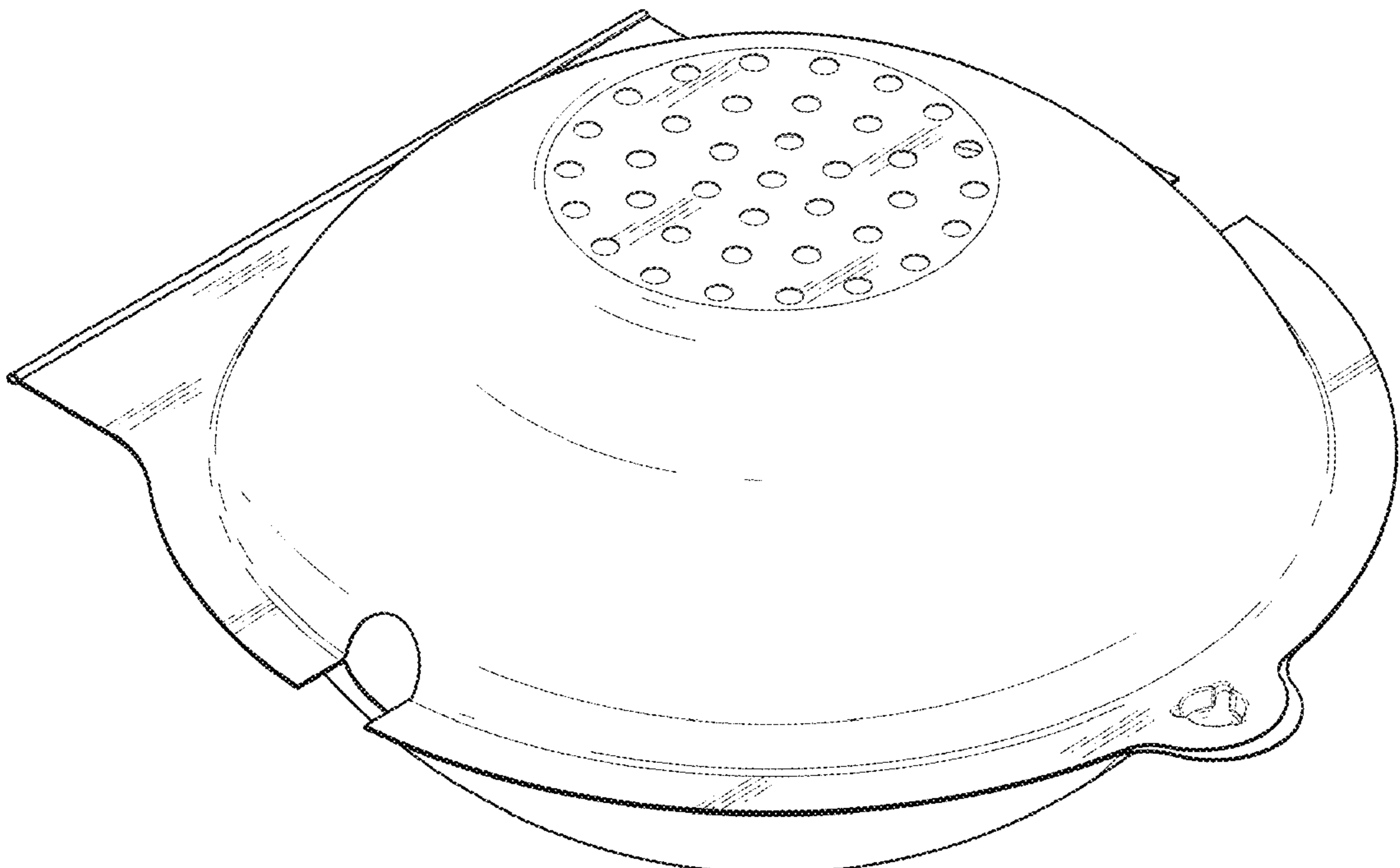
FIG. 1 is a top perspective view of a plant protection device in accordance with the present disclosure.
FIG. 2 is a right side view of the plant protection device of FIG. 1 rotated 45 degrees.
FIG. 3 is a left side view of the plant protection device of FIG. 1 rotated 45 degrees.
FIG. 4 is a back side view of the plant protection device of FIG. 1 rotated 45 degrees.
FIG. 5 is a front side view of the plant protection device of FIG. 1 rotated 45 degrees.
FIG. 6 is a bottom side view of the plant protection device of FIG. 1 rotated 45 degrees; and,
FIG. 7 is a top side view of the plant protection device of FIG. 1 rotated 45 degrees.

(56) **References Cited**

U.S. PATENT DOCUMENTS

| | | | |
|--------------|---------|-----------------|----------------------|
| 2,062,410 A | 12/1936 | Anselmo | |
| 3,816,959 A | 6/1974 | Nalle, Jr. | |
| 4,829,707 A | 5/1989 | Koffler et al. | |
| 5,347,750 A | 9/1994 | Mills | |
| 5,412,905 A | 5/1995 | Allison | |
| D439,470 S * | 3/2001 | Durbin | D7/400 |
| D439,799 S * | 4/2001 | Kwok | D7/400 |
| 6,357,172 B1 | 3/2002 | Risgaard et al. | |
| D688,083 S * | 8/2013 | Crick | D7/402 |
| D750,450 S * | 3/2016 | Goldsmith | D7/667 |
| D854,883 S * | 7/2019 | Josefsson | D7/400 |
| D905,500 S * | 12/2020 | Zhu | A23G 9/503 D7/400 |
| D907,950 S * | 1/2021 | Hong | D7/402 |

1 Claim, 5 Drawing Sheets



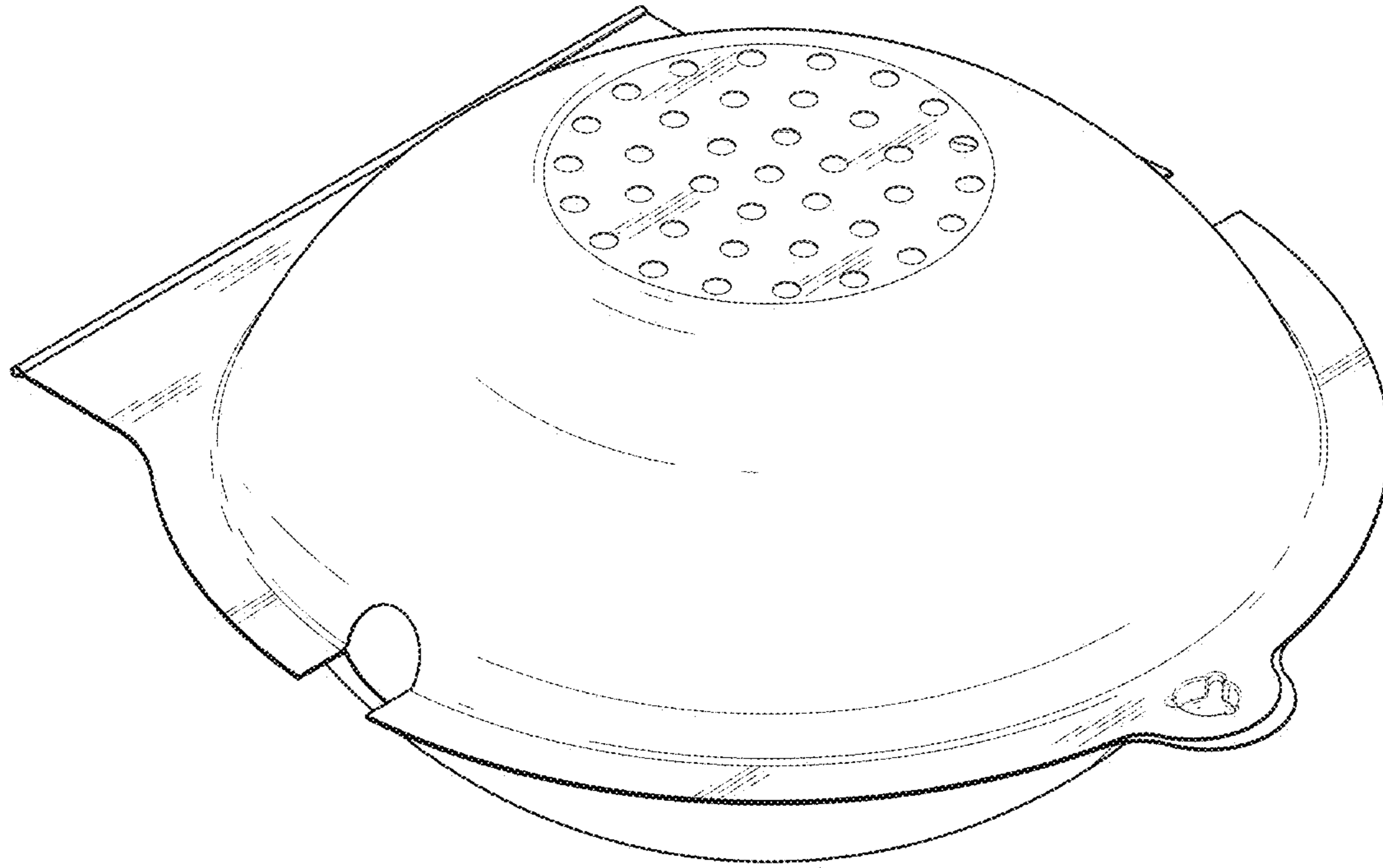


FIG. 1

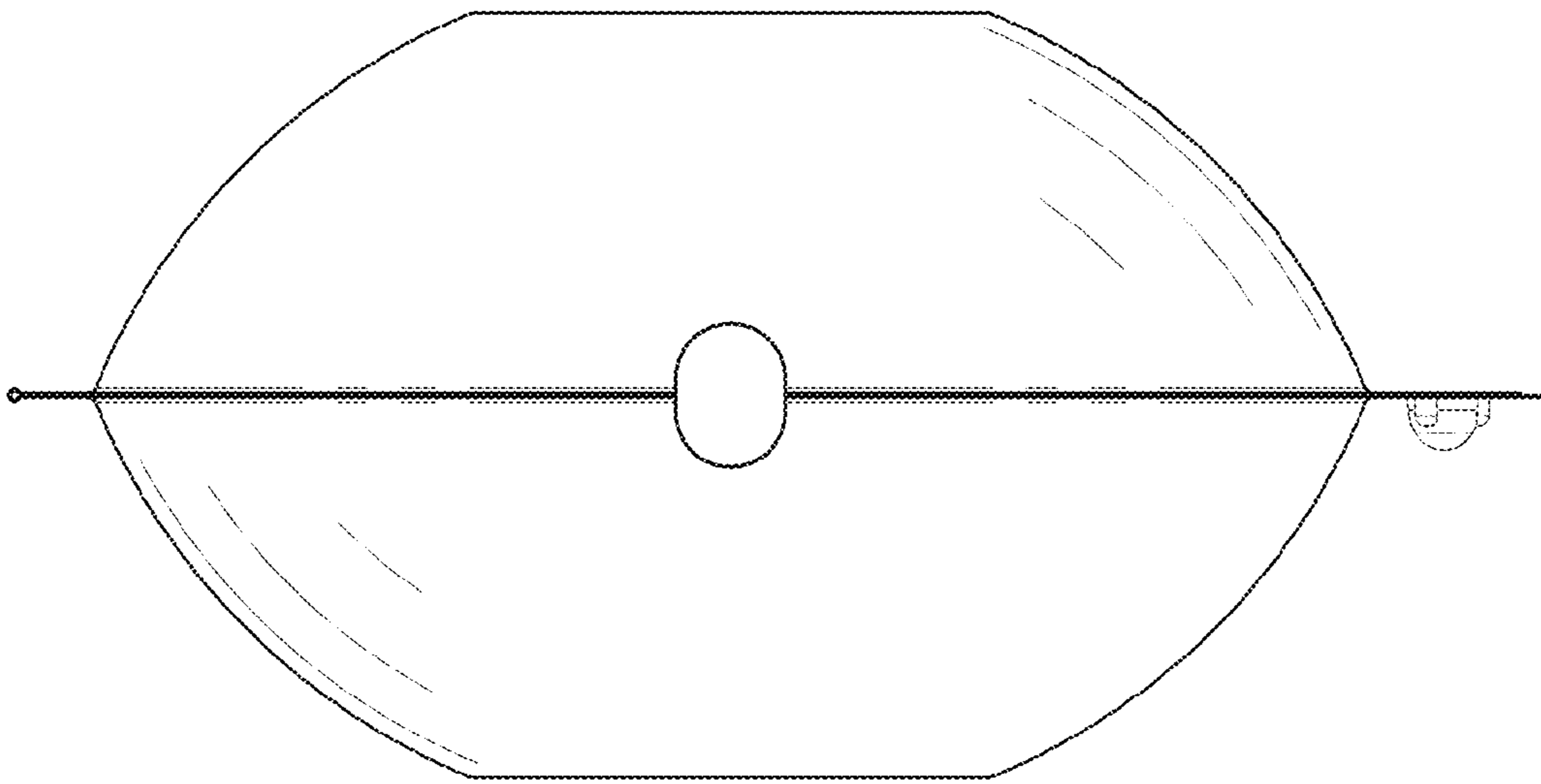


FIG. 2

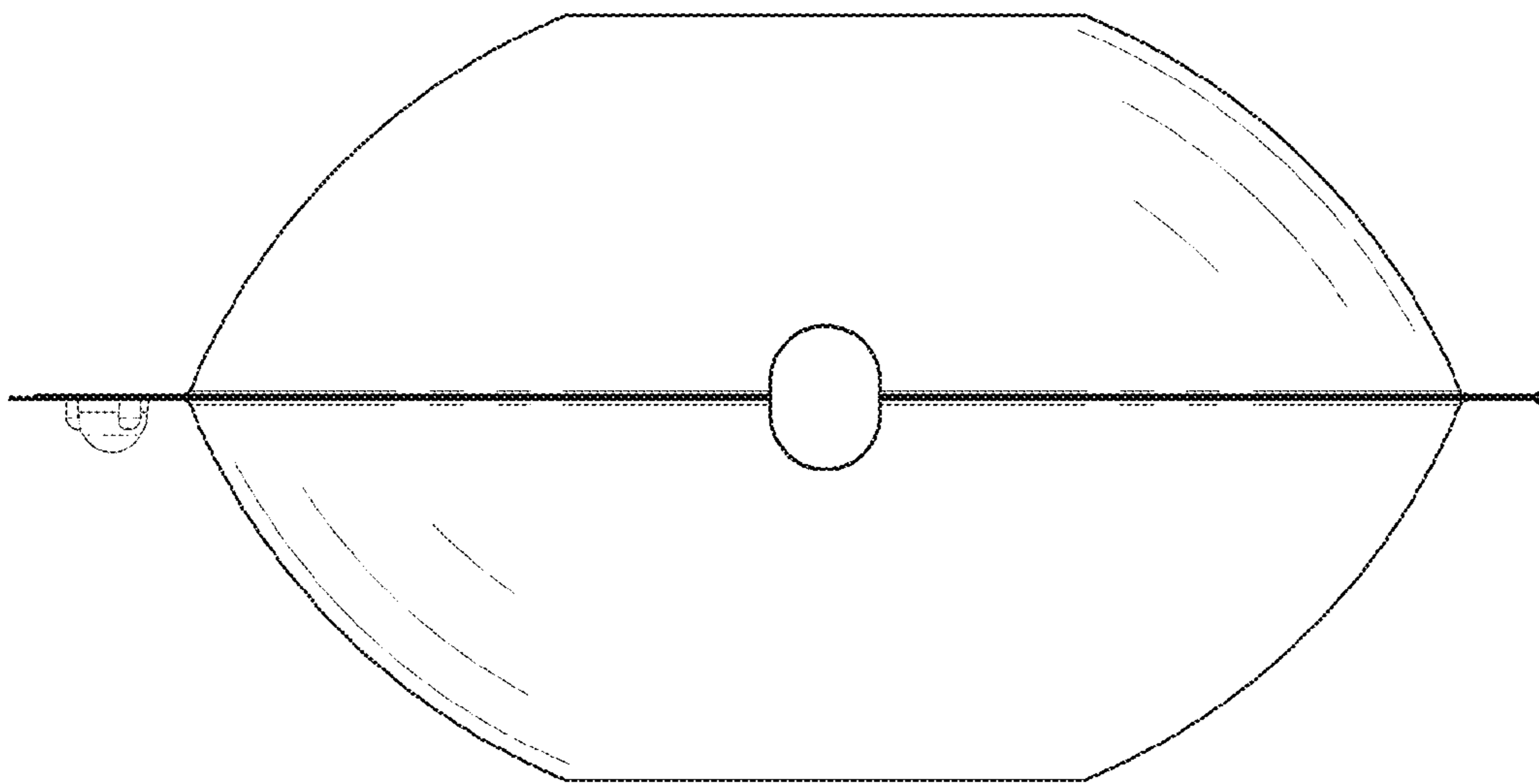


FIG. 3

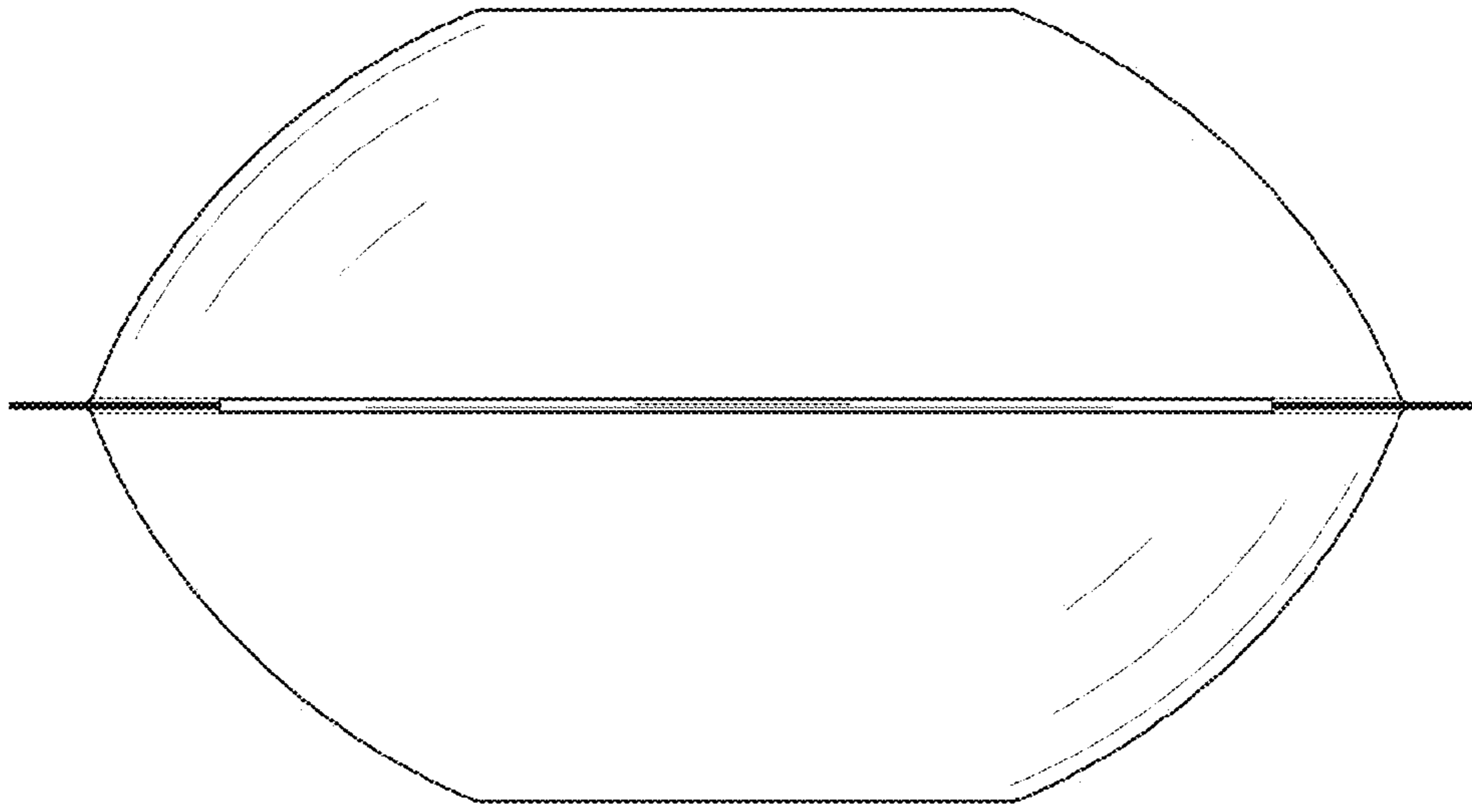


FIG. 4

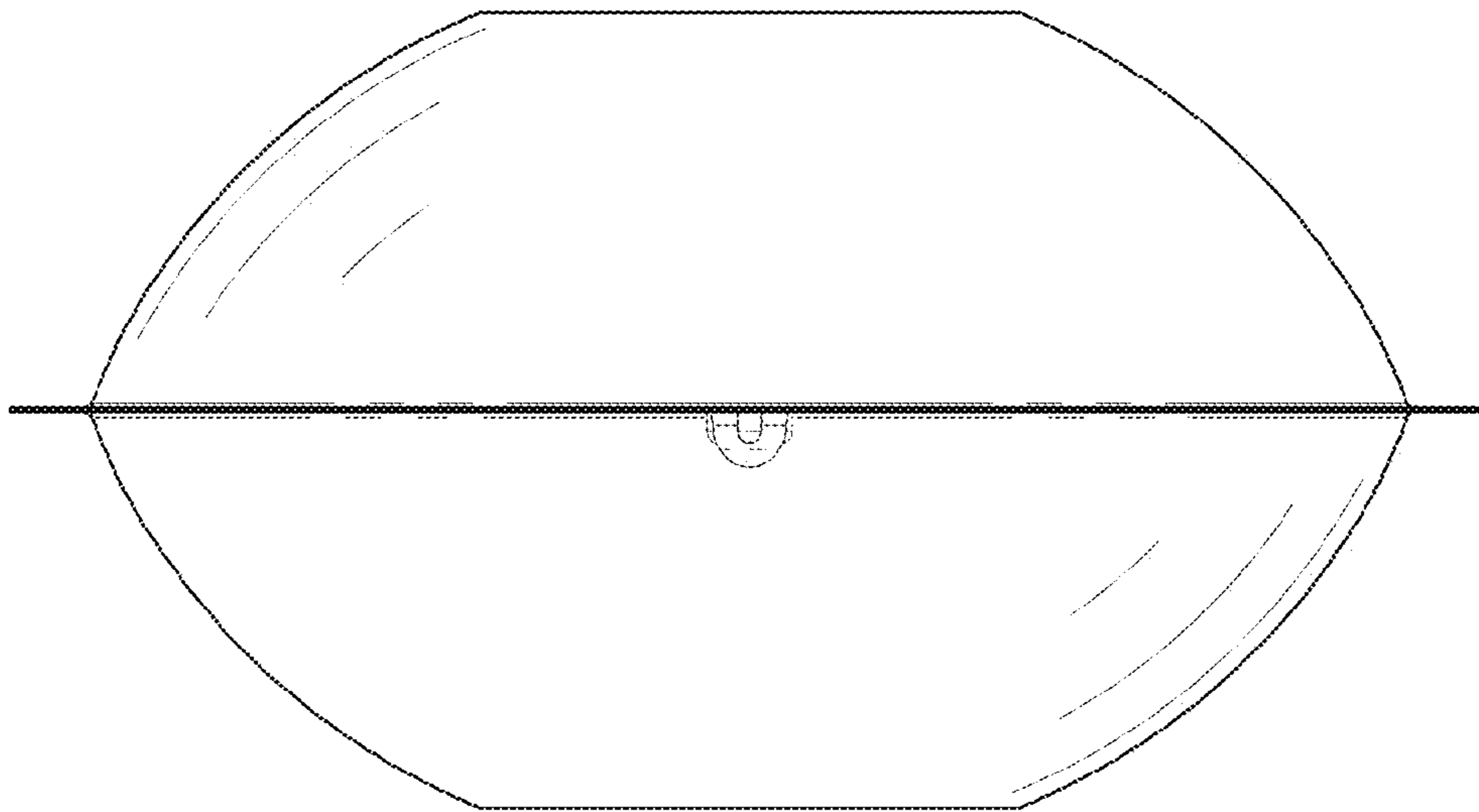


FIG. 5

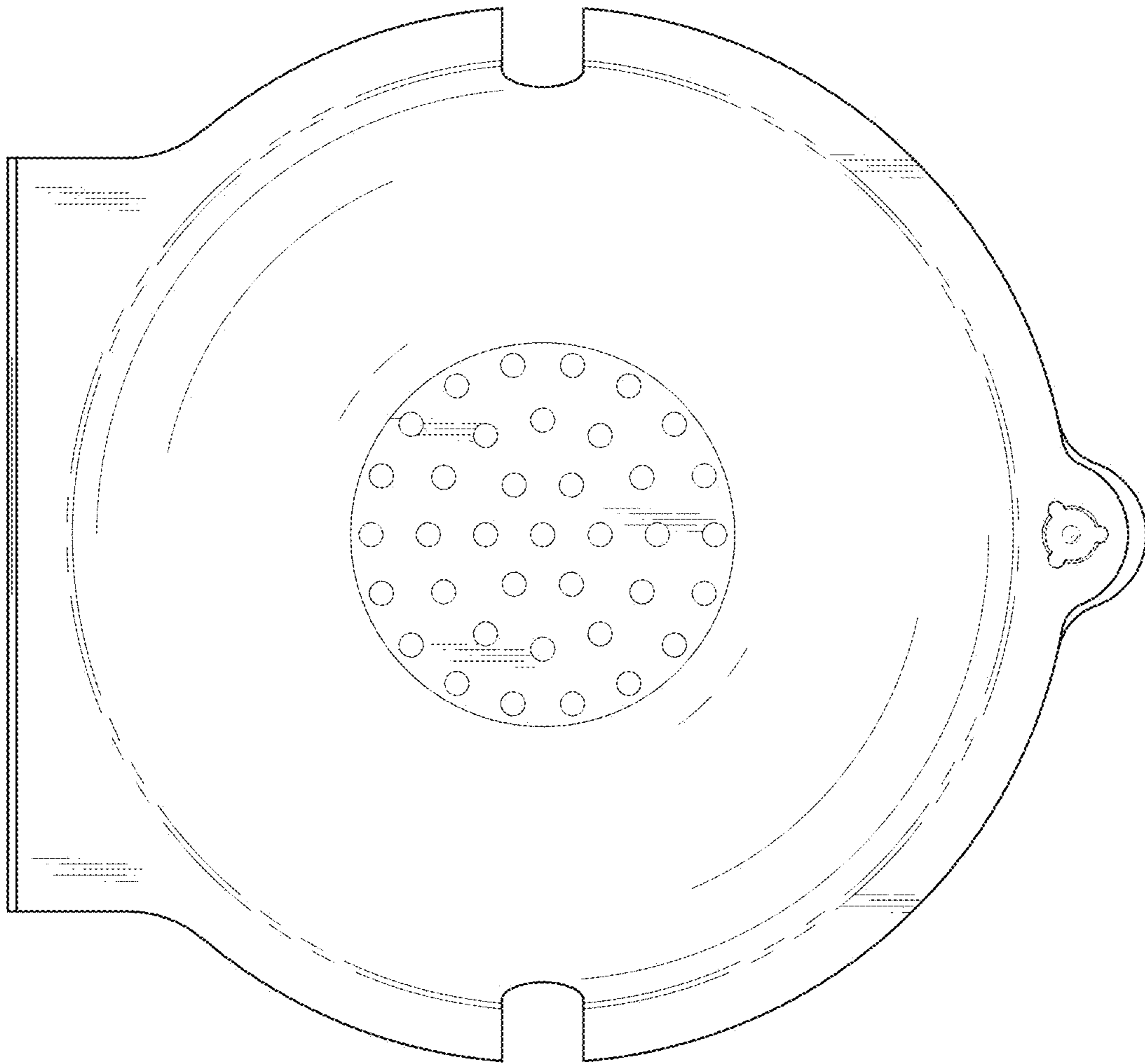


FIG. 6

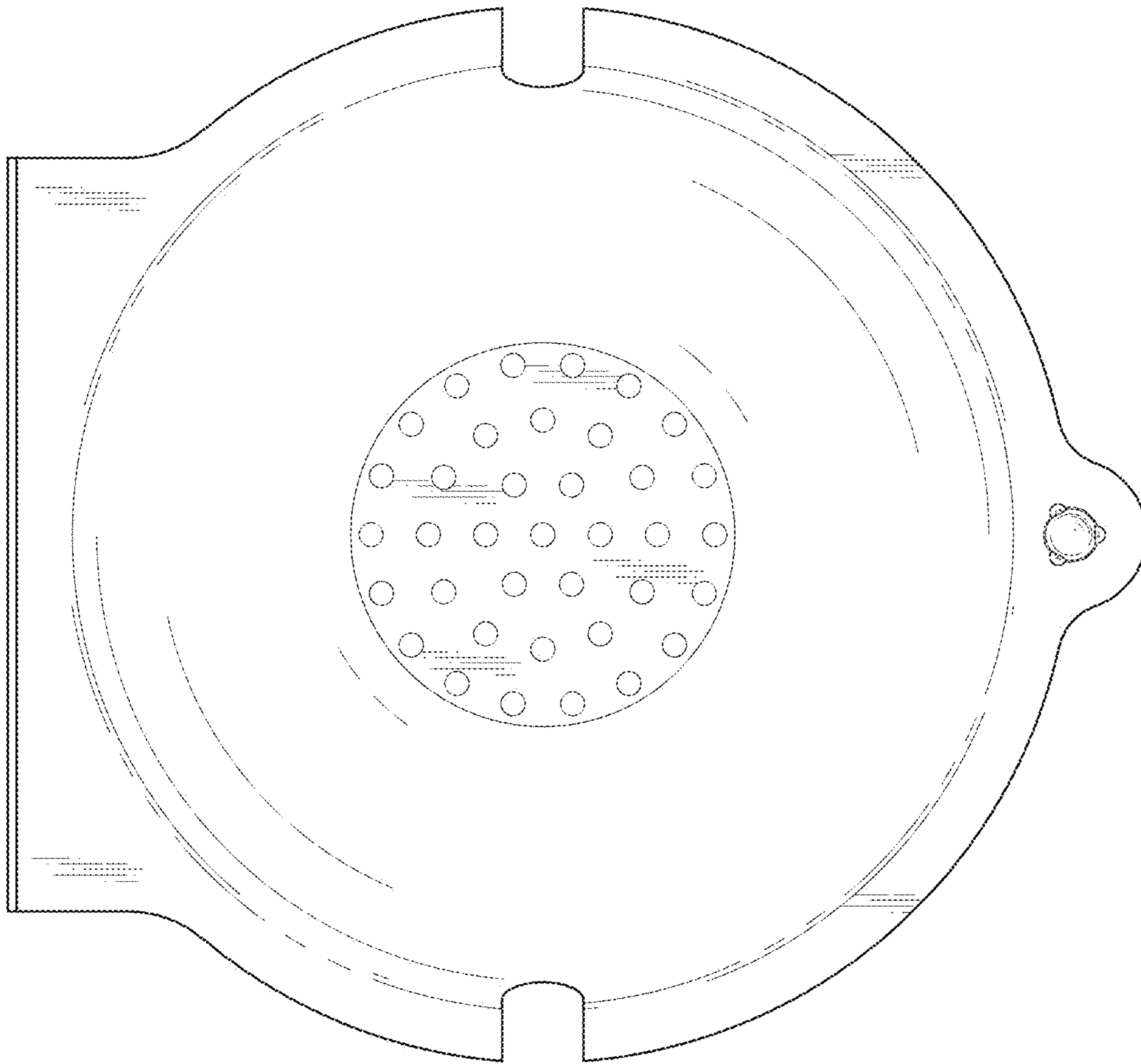


FIG. 7