



US00D953128S

(12) **United States Design Patent** (10) **Patent No.:** **US D953,128 S**  
**Swartz et al.** (45) **Date of Patent:** **\*\* May 31, 2022**

(54) **LUNCH BOX**  
(71) Applicant: **Lifetime Brands, Inc.**, Garden City, NY (US)  
(72) Inventors: **John Roscoe Swartz**, Ridgewood, NJ (US); **Alex Geller**, Brooklyn, NY (US)  
(73) Assignee: **Lifetime Brands, Inc.**, Garden City, NY (US)

2010/0308039 A1\* 12/2010 Miros ..... B65D 45/16  
220/4.22  
2011/0114526 A1\* 5/2011 Neumann ..... A45C 11/20  
206/459.5  
2013/0180217 A1\* 7/2013 Brubaker ..... G01R 33/4633  
53/473  
2014/0299505 A1\* 10/2014 Stahle ..... A45C 11/00  
206/546  
2014/0345314 A1\* 11/2014 Cox ..... A45C 11/20  
62/440  
2019/0375551 A1\* 12/2019 Bell ..... B65D 77/046

(\*\*) Term: **15 Years**

(21) Appl. No.: **29/729,932**

(22) Filed: **Mar. 31, 2020**

(51) **LOC (13) Cl.** ..... **03-01**

(52) **U.S. Cl.**  
USPC ..... **D7/703**; D7/629; D3/201

(58) **Field of Classification Search**  
USPC ..... D7/605, 607, 701, 703, 629, 630;  
D3/287, 276, 289, 283, 272-274, 201,  
D3/203.1-203.8  
CPC ..... A45C 11/20; A45C 11/00; A45C 13/02;  
B65D 25/04; B65D 25/06; B65D 77/08;  
B65D 43/14; B65D 43/16; B65D 1/24;  
B65D 1/36; B65D 81/3813; B65D  
81/3825; A47G 23/04; A45F 3/46

See application file for complete search history.

(56) **References Cited**

**U.S. PATENT DOCUMENTS**

4,346,813 A \* 8/1982 Cho ..... B65D 25/04  
220/532  
D472,774 S \* 4/2003 Pelstring ..... D7/629  
8,328,034 B2 \* 12/2012 Miros ..... B65B 7/16  
220/4.22  
9,414,701 B1 \* 8/2016 Yen ..... A47J 41/0072  
2010/0224531 A1 \* 9/2010 Claffy ..... B65D 81/3823  
206/561

**OTHER PUBLICATIONS**

Amazon.com, Eco-Life Home Design Bento Box, pp. 1-9, ASIN: B07F7WV876, date first available Jul. 3, 2018. (Year: 2018).\*  
Amazon.com, LunchBots Medium Trio II Snack Container, pp. 1-12, ASIN: B01NA753TF, date first available Jan. 19, 2017. (Year: 2017).\*

\* cited by examiner

*Primary Examiner* — Terry A Wallace

(74) *Attorney, Agent, or Firm* — Tutunjian & Bitetto, P.C.

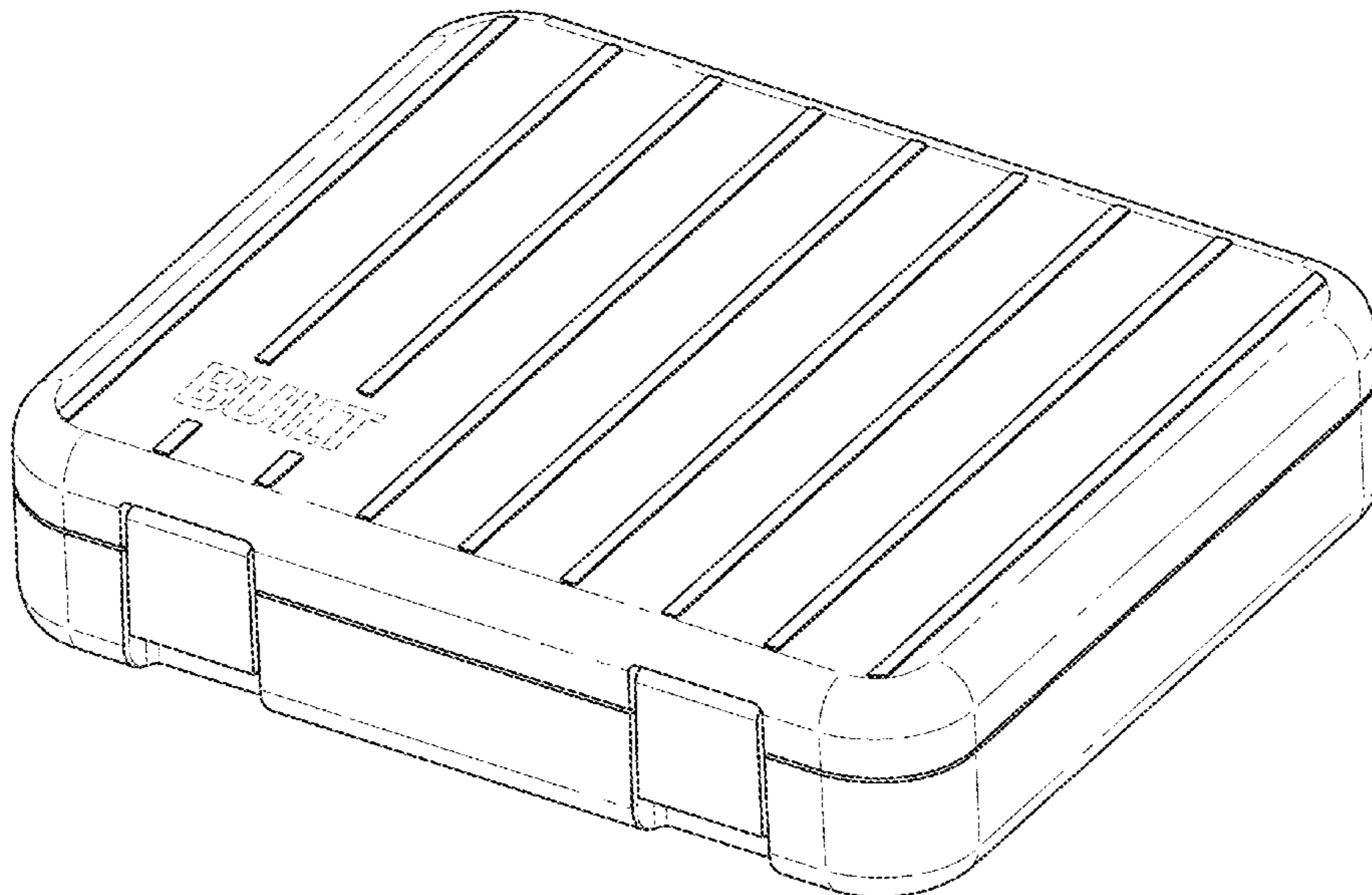
(57) **CLAIM**

The ornamental design for a lunch box, as shown and described.

**DESCRIPTION**

FIG. 1 is a top perspective view of the lunch box closed showing our new design;  
FIG. 2 is a top view thereof;  
FIG. 3 is a bottom view thereof;  
FIG. 4 is a front view thereof;  
FIG. 5 is a rear view thereof;  
FIG. 6 is a left side view thereof; and,  
FIG. 7 is a right side view thereof.  
The broken lines in the drawings represent environmental structure that makes up no part of the claimed design.

**1 Claim, 4 Drawing Sheets**



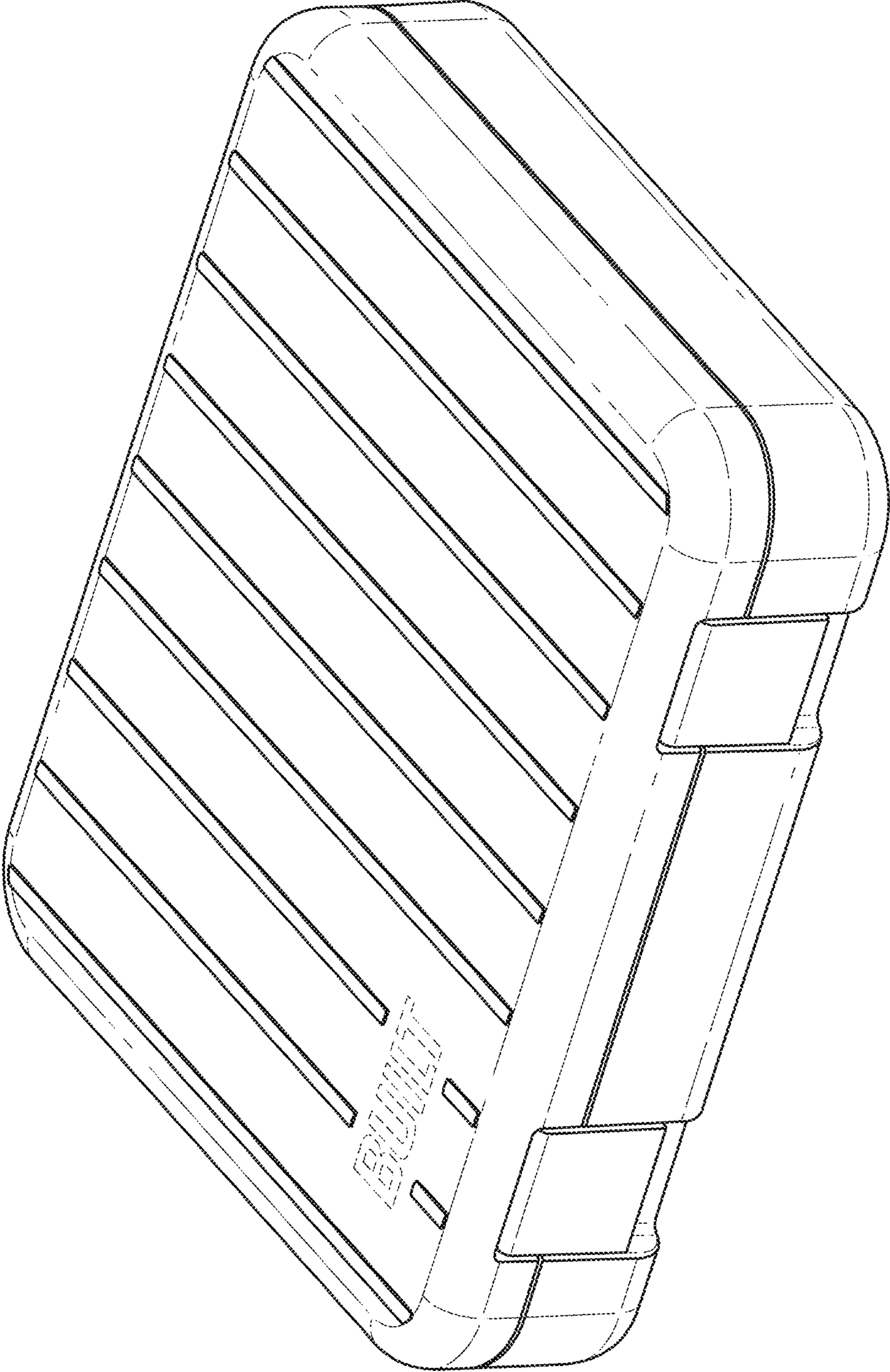


FIG. 1

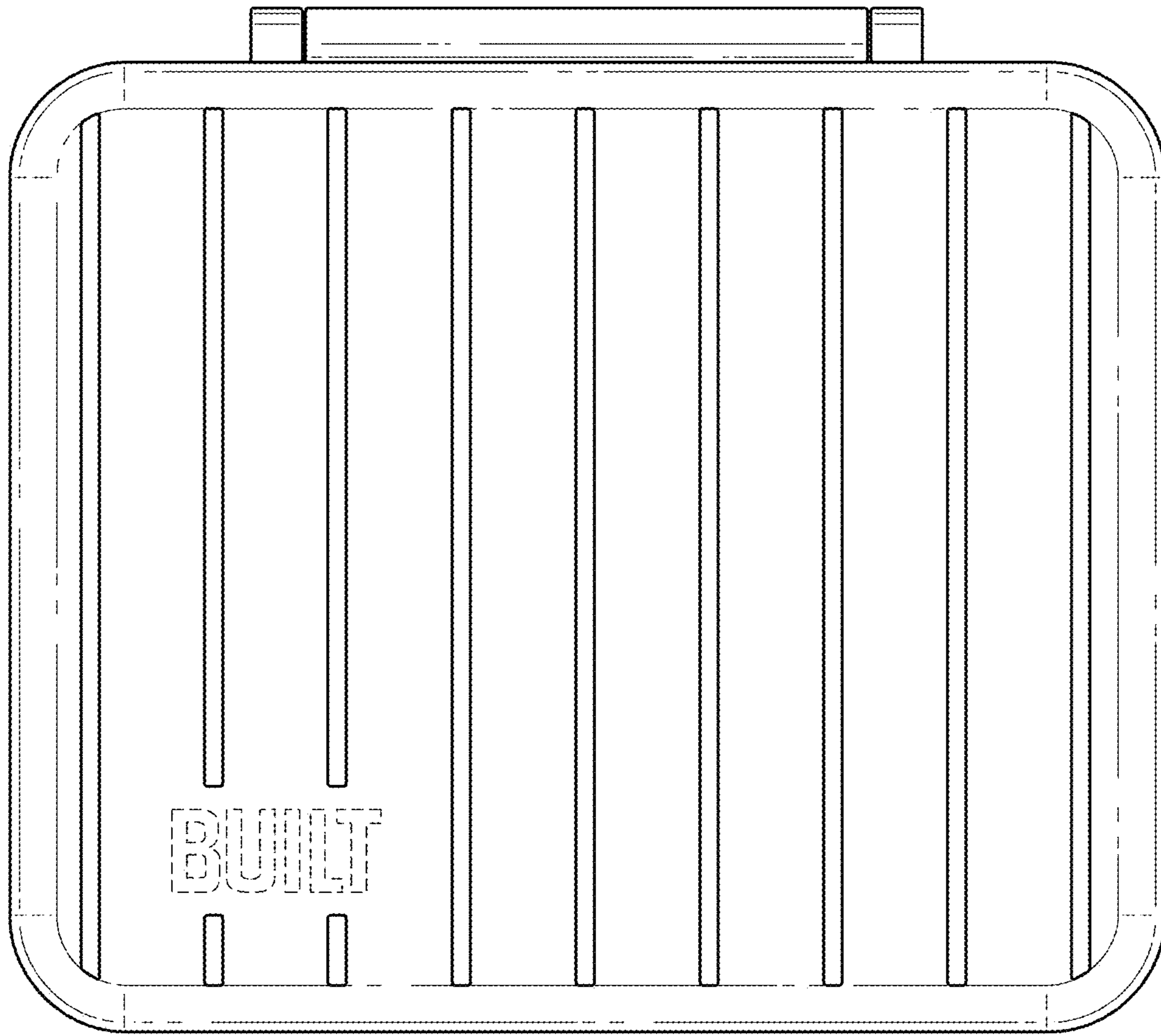


FIG. 2



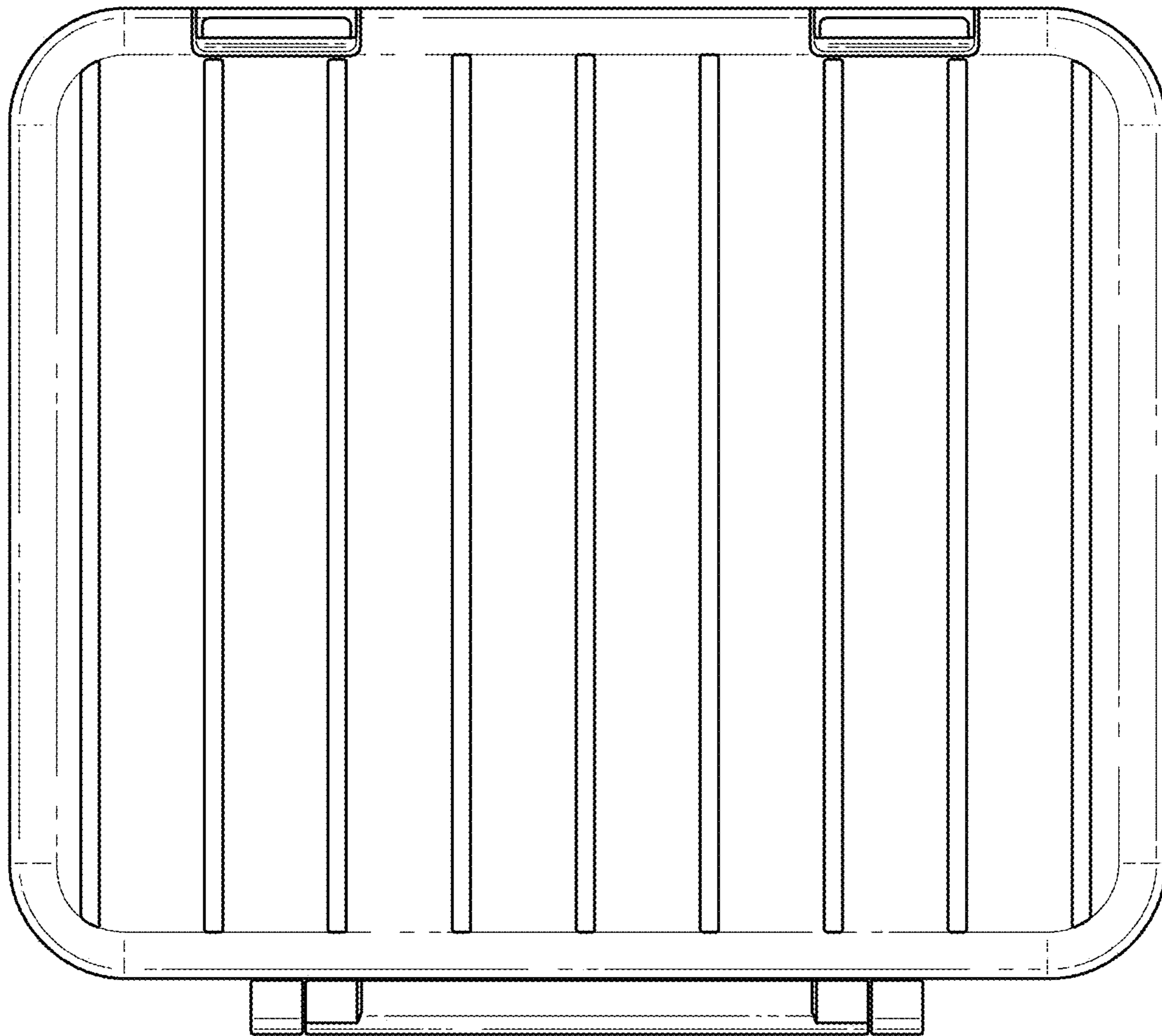


FIG. 3

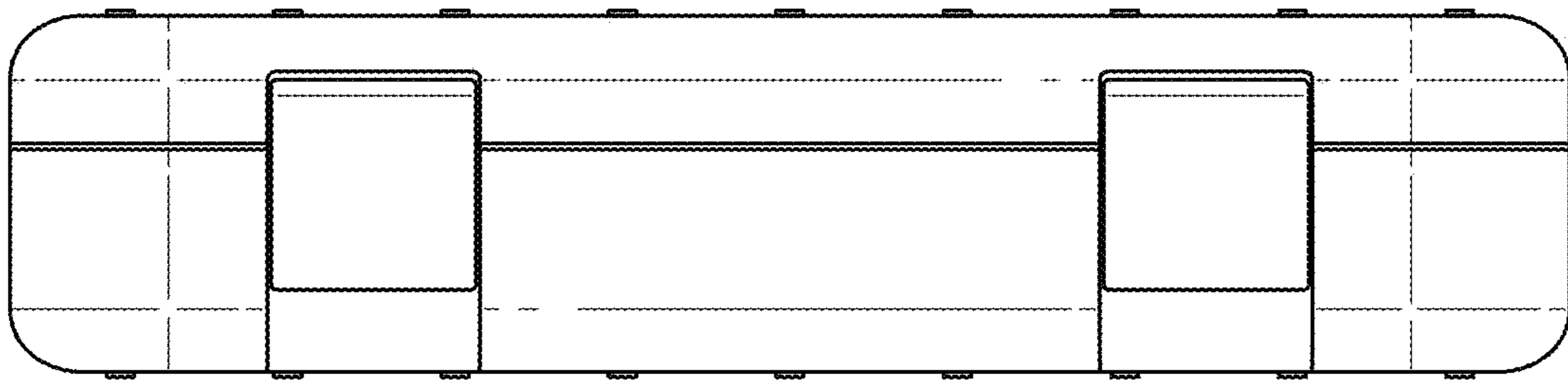


FIG. 4

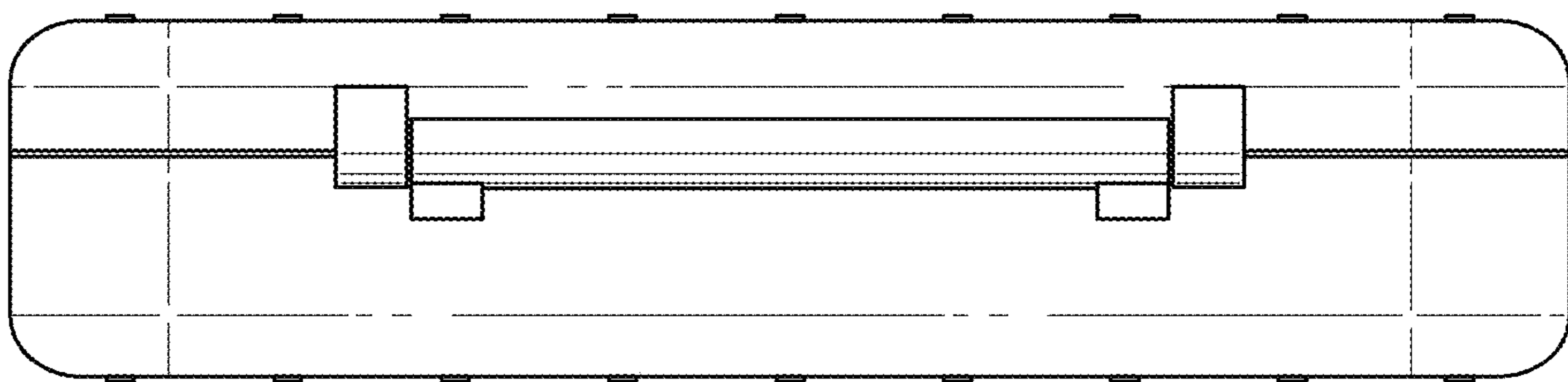


FIG. 5

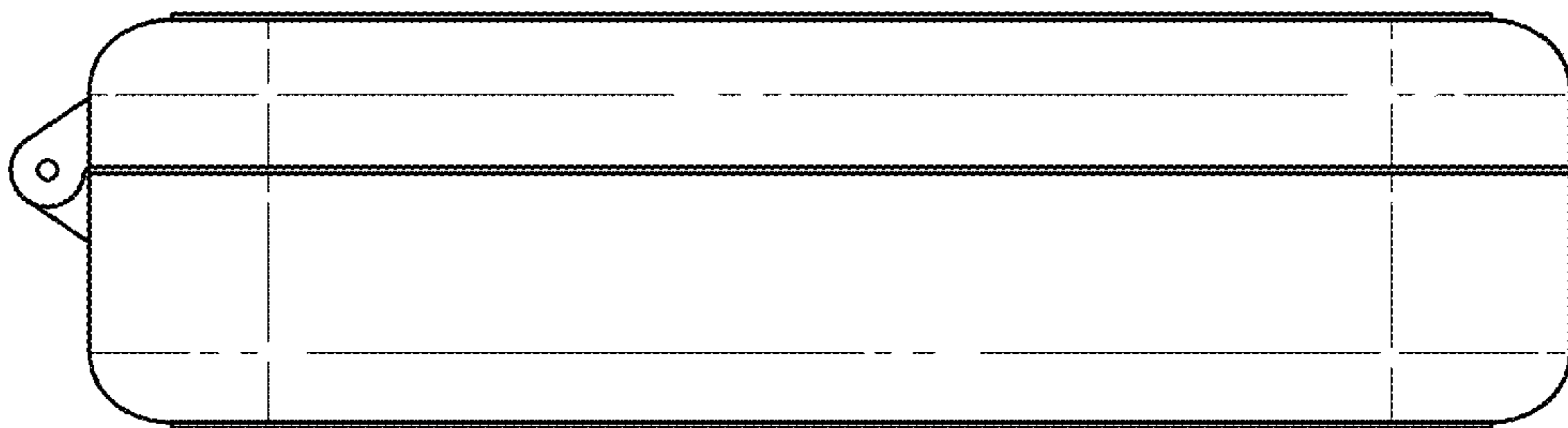


FIG. 6

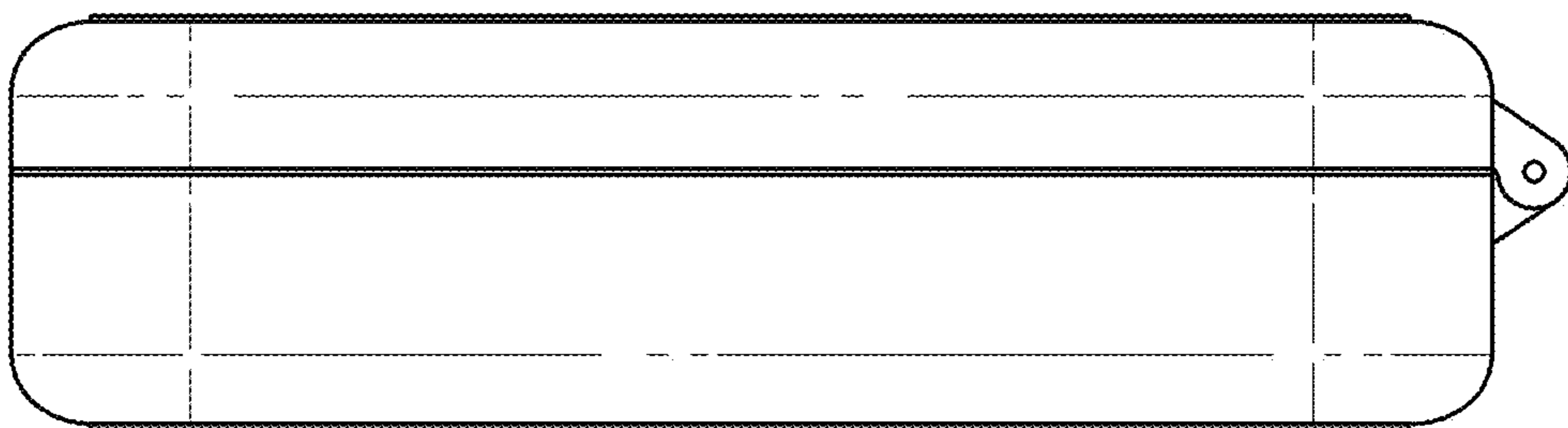


FIG. 7