



US00D953127S

(12) **United States Design Patent** (10) **Patent No.:** **US D953,127 S**
Maghsadi et al. (45) **Date of Patent:** **** May 31, 2022**

- (54) **COOKING UTENSIL**
- (71) Applicant: **Frontline Advance, LLC**, Southlake, TX (US)
- (72) Inventors: **Alexander K. Maghsadi**, Lewisville, TX (US); **Eric H. Jan**, Lehi, UT (US)
- (73) Assignee: **SOLO BRANDS, LLC**, Grapevine, TX (US)
- (**) Term: **15 Years**
- (21) Appl. No.: **29/727,321**
- (22) Filed: **Mar. 10, 2020**
- (51) **LOC (13) Cl.** **07-02**
- (52) **U.S. Cl.**
USPC **D7/692**
- (58) **Field of Classification Search**
USPC D7/213, 372, 381, 412, 673, 683, 686,
D7/687, 688, 689, 691, 692, 693, 694,
D7/695, 696
CPC A47J 43/282; A47J 43/288
See application file for complete search history.

(56) **References Cited**

U.S. PATENT DOCUMENTS

D205,540 S *	8/1966	Latham	D7/692
D207,114 S *	3/1967	Latham	D7/692
D268,243 S *	3/1983	Morin	D7/692
D293,295 S *	12/1987	Johnson	D7/688
D306,115 S *	2/1990	Zimmerman	D7/669
D392,851 S *	3/1998	Zeller	D7/692
D396,389 S *	7/1998	Durbin	D7/692
D412,814 S *	8/1999	Fielding	D7/692

(Continued)

OTHER PUBLICATIONS

Solo Stove website, Grill Tools, Earliest comment date May 26, 2021, [site visited Sep. 23, 2021], Available on the Internet URL <https://www.solostove.com/grill-tools/> (Year: 2021).*

Primary Examiner — S. Bryan Reinholdt, Jr.
(74) *Attorney, Agent, or Firm* — Haynes and Boone, LLP

(57) **CLAIM**

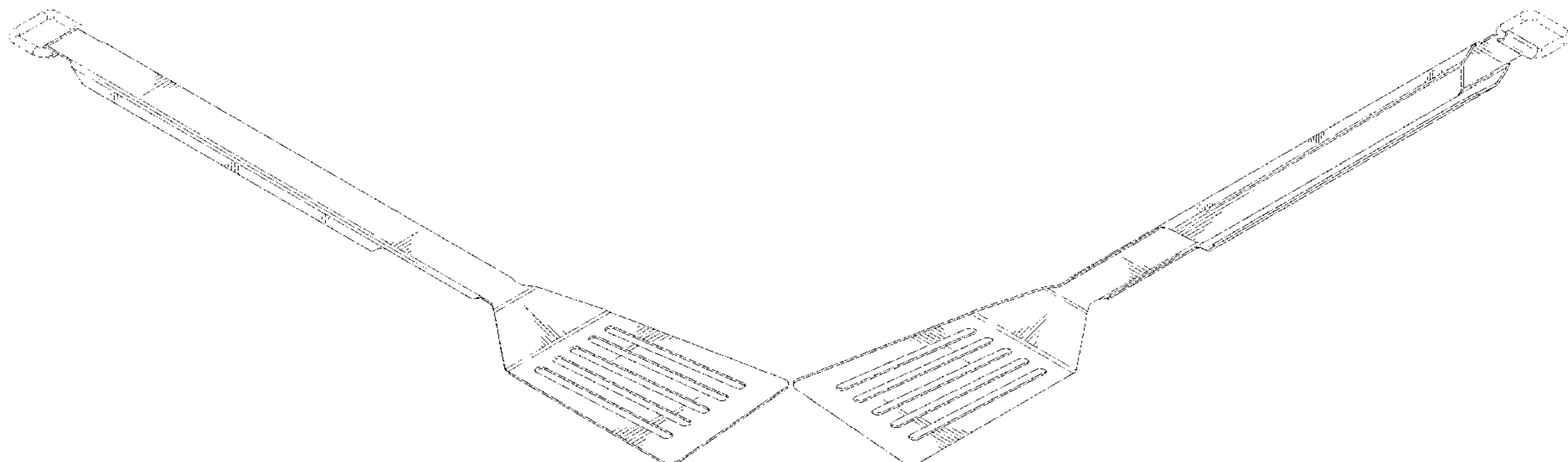
The ornamental design for a cooking utensil, as shown and described.

DESCRIPTION

This application is related to U.S. application Ser. No. 29/727,324, filed Mar. 10, 2020, the entire disclosure of which is hereby incorporated herein by reference. This application is also related to U.S. application Ser. No. 29/727,315, filed Mar. 10, 2020, the entire disclosure of which is hereby incorporated herein by reference. This application is also related to U.S. application Ser. No. 29/727,308, filed Mar. 10, 2020, the entire disclosure of which is hereby incorporated herein by reference.

FIG. 1 is a front perspective view of a cooking utensil showing our new design according to a first embodiment; FIG. 2 is a top view of the first embodiment; FIG. 3 is a bottom view of the first embodiment; FIG. 4 is a right side view of the first embodiment; FIG. 5 is a left side view of the first embodiment; FIG. 6 is a front view of the first embodiment shown at a larger scale; FIG. 7 is a rear view of the first embodiment shown at a larger scale; and FIG. 8 is a rear perspective view of the first embodiment; and, FIG. 9 is a bottom view of the cooking utensil showing our new design according to a second embodiment. The broken lines shown in FIGS. 1-5 and 7-9 depict portions of the cooking utensil that form no part of the claimed design. In FIG. 9, the second embodiment of the cooking utensil is shown with two (2) sets of break lines; neither the break lines nor the appearance of any portion of the second embodiment of the cooking utensil between each set of the break lines forms part of the claimed design.

1 Claim, 6 Drawing Sheets



(56)

References Cited

U.S. PATENT DOCUMENTS

D443,186	S	*	6/2001	Kaposi	D7/692
D456,223	S	*	4/2002	Rowe	D7/692
D487,679	S	*	3/2004	Overthun	D7/692
D619,429	S	*	7/2010	Benfatti	D7/669
D787,281	S	*	5/2017	Bennett	D7/692
D914,472	S	*	3/2021	Xie	D7/692
D931,065	S	*	9/2021	Xie	D7/692

* cited by examiner

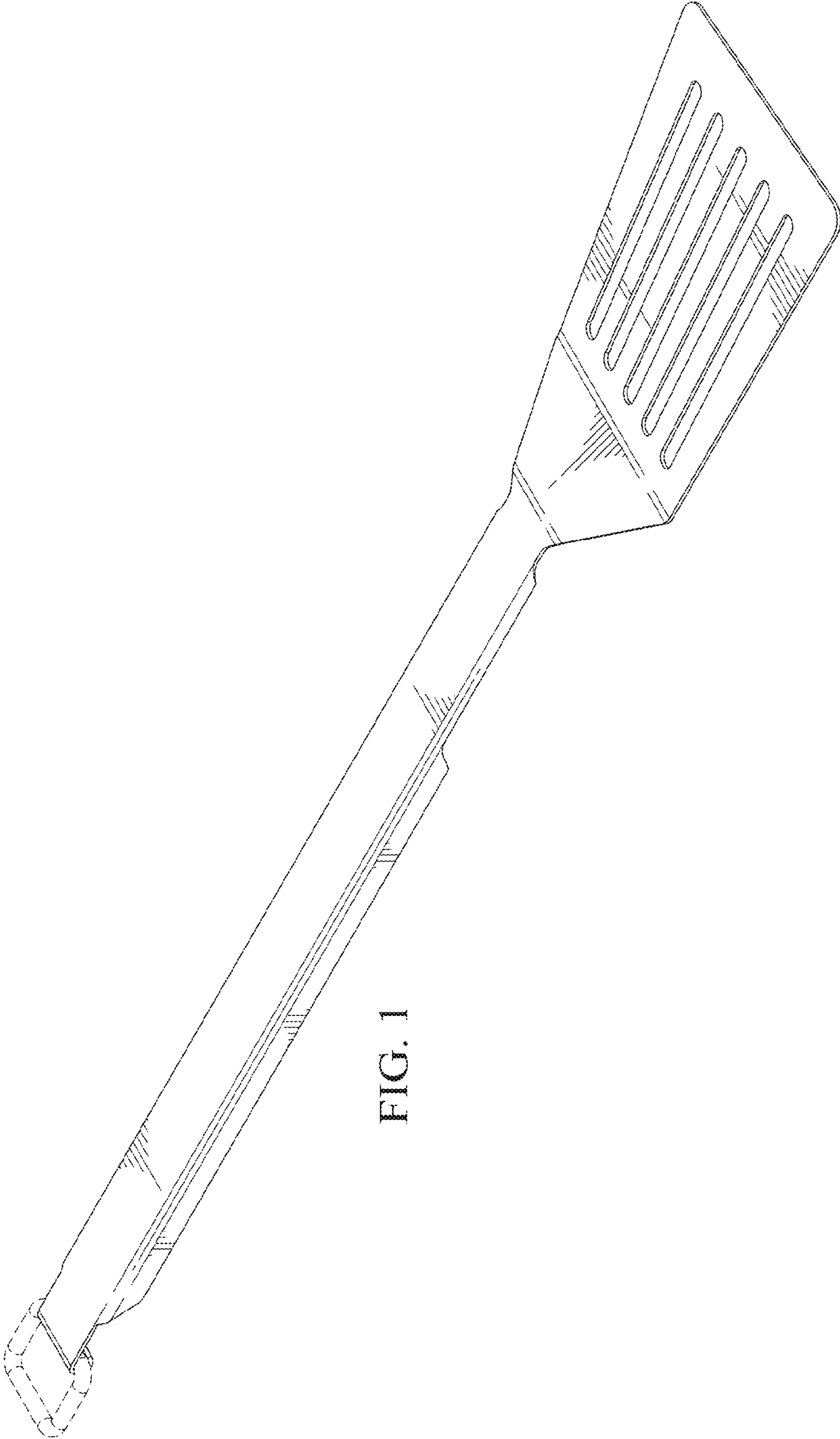


FIG. 1

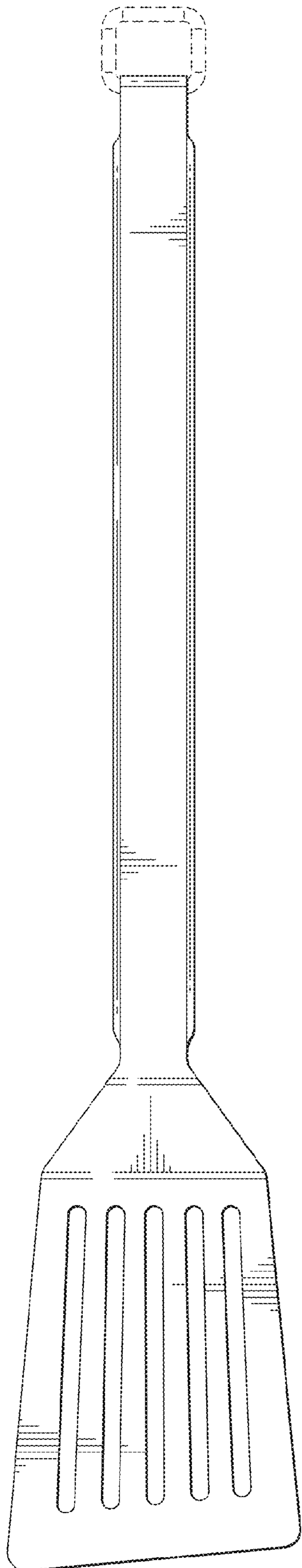


FIG. 2

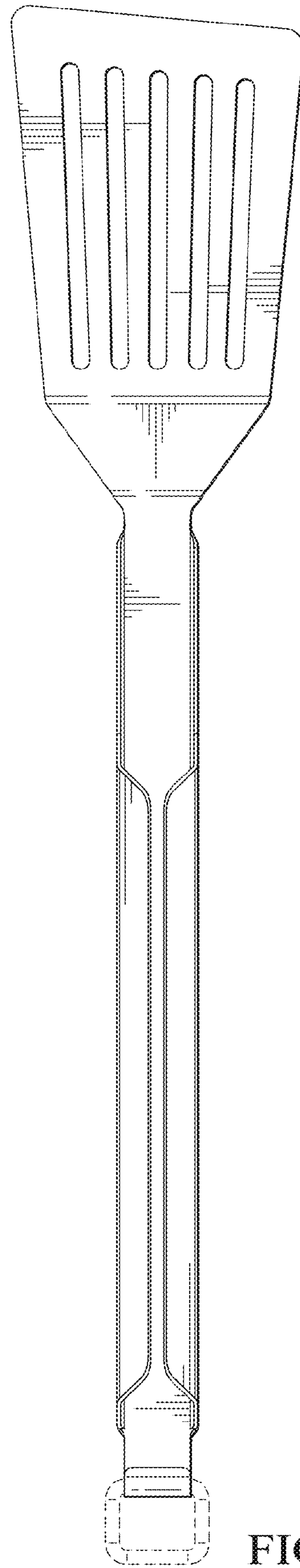


FIG. 3

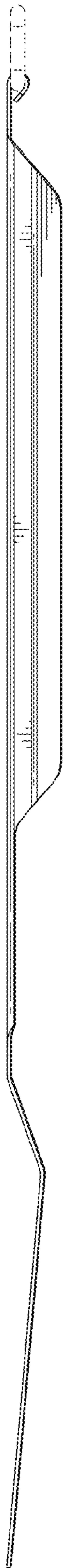


FIG. 4



FIG. 5

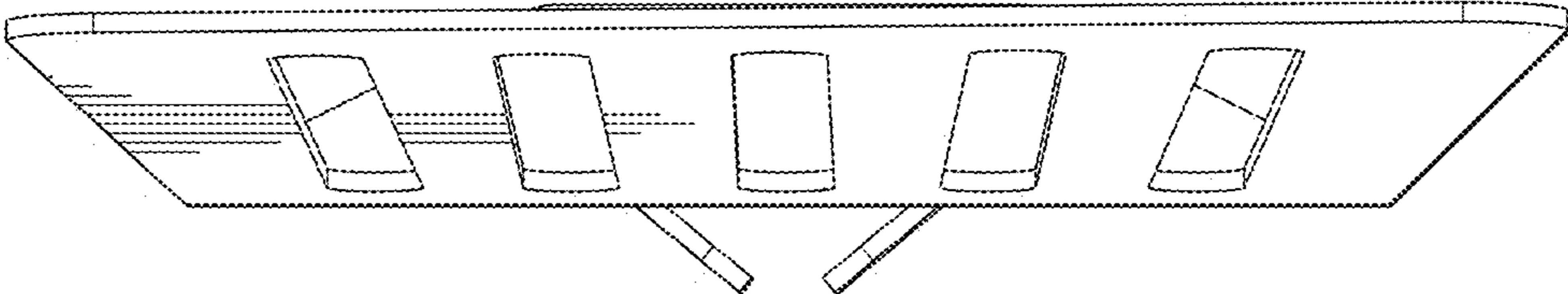


FIG. 6

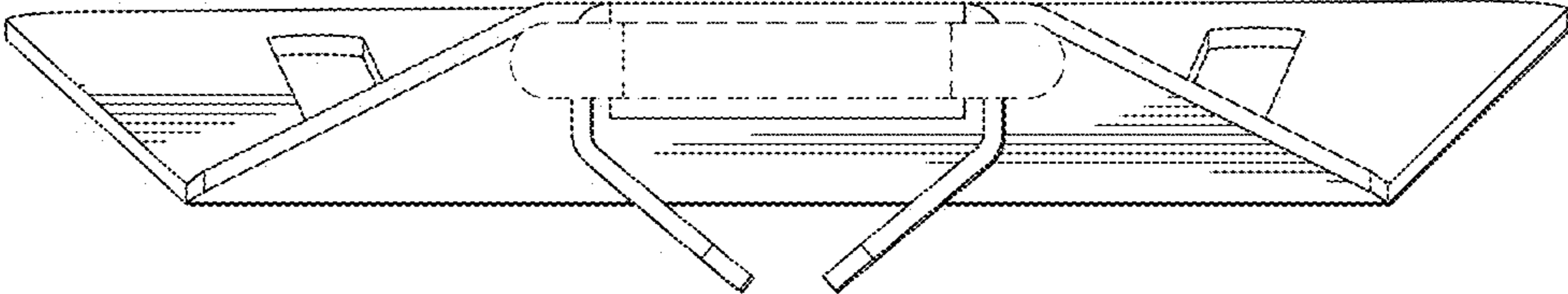


FIG. 7

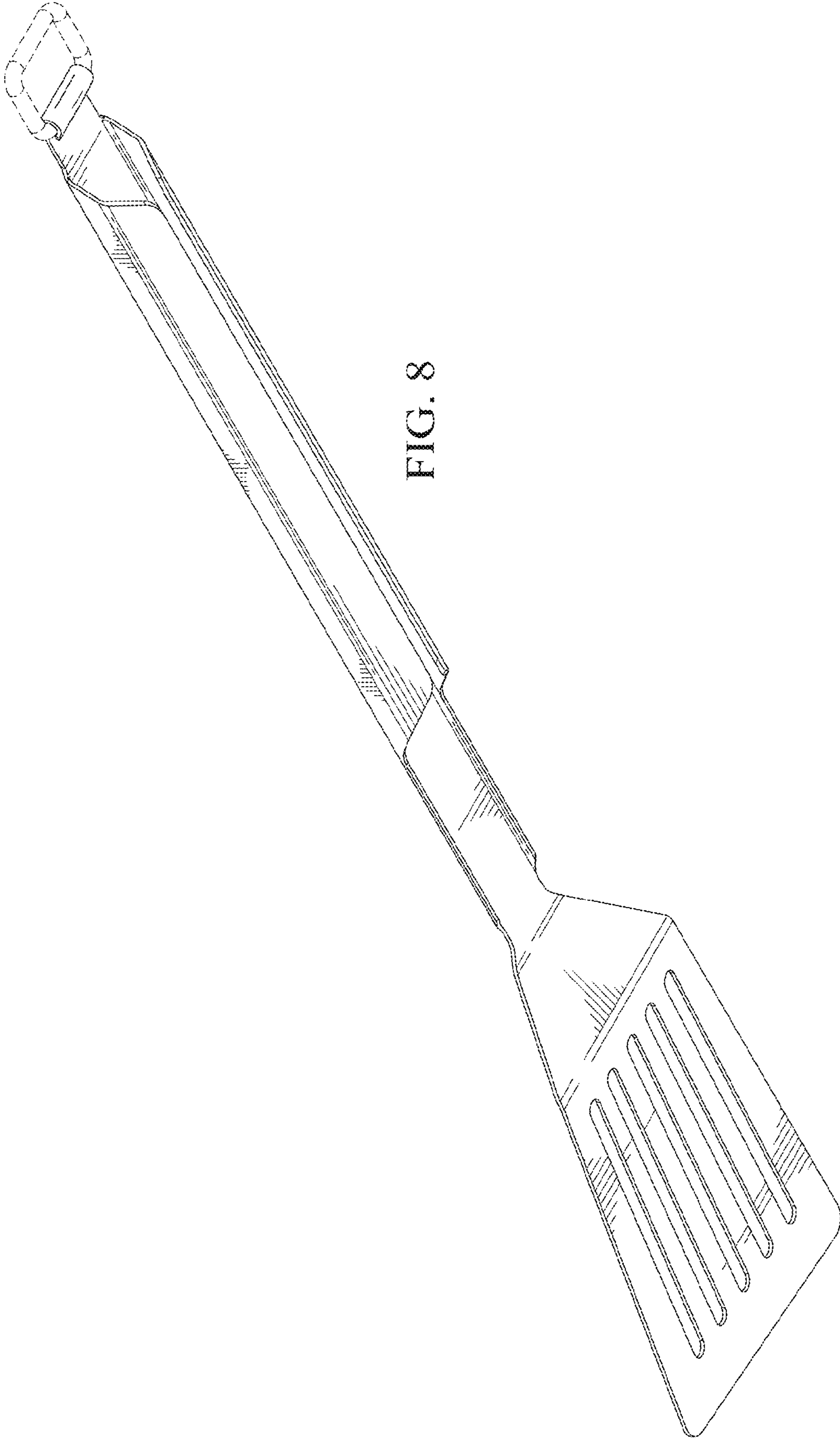


FIG. 8

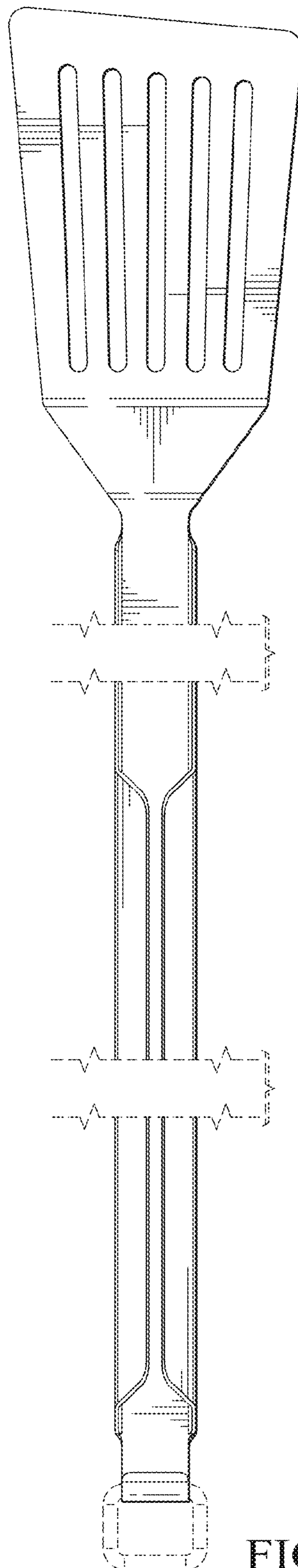


FIG. 9