



US00D953126S

(12) **United States Design Patent** (10) **Patent No.:** **US D953,126 S**
O'Halloran (45) **Date of Patent:** **** May 31, 2022**

(54) **GRATER WITH COVER**

(71) Applicant: **Helen of Troy Limited**, St. Michael (BB)

(72) Inventor: **Jeremy O'Halloran**, Brentwood, PA (US)

(73) Assignee: **Helen of Troy Limited**, St. Michael (BB)

(**) Term: **15 Years**

(21) Appl. No.: **29/717,592**

(22) Filed: **Dec. 18, 2019**

(51) **LOC (13) Cl.** **07-04**

(52) **U.S. Cl.**
USPC **D7/678; D7/669; D7/693**

(58) **Field of Classification Search**
USPC **D7/667, 669, 678, 670, 679, 683, 693**
CPC **A47J 37/0694; A47J 43/18; A47J 43/25; A22C 17/006**

See application file for complete search history.

(56) **References Cited**

U.S. PATENT DOCUMENTS

D2,257 S *	1/1866	Meserrey	D7/667
D467,473 S *	12/2002	Kerr	D7/678
D556,507 S *	12/2007	Chan	D7/391
D604,124 S *	11/2009	Smith	D7/678
D642,876 S *	8/2011	Tetreault	D7/678
D666,066 S *	8/2012	Smith	D7/678
D666,463 S *	9/2012	Smith	D7/678
D668,918 S *	10/2012	Smith	D7/678
D680,820 S *	4/2013	McGuyer	D7/678
D695,579 S *	12/2013	Kestenbaum	D7/678
D699,523 S *	2/2014	McGuyer	D7/678
D713,218 S *	9/2014	Chalfant, Jr.	D7/678
D737,107 S *	8/2015	McGuyer	D7/678
D741,017 S *	10/2015	Exley	D28/59
D756,719 S *	5/2016	Schuler	D7/678

D757,503 S *	5/2016	Schuler	D7/678
D790,932 S *	7/2017	Hartshorn	D7/678
D798,676 S *	10/2017	McGuyer	D7/678
D799,283 S *	10/2017	McGuyer	D7/678
D812,998 S *	3/2018	Huang	D7/678
D821,827 S *	7/2018	O'Halloran	D7/678

(Continued)

OTHER PUBLICATIONS

Amazon website, OXO Good Grips Etched Ginger & Garlic Grater, Earliest comment date on Amazon Aug. 27, 2020, [site visited Jan. 20, 2022], Available on the Internet URL www.amazon.com/OXO-Etched-Ginger-Garlic-Grater/dp/B082WNVTRC (Year: 2020).*

(Continued)

Primary Examiner — S. Bryan Reinholdt, Jr.

(74) *Attorney, Agent, or Firm* — Jonathan A. Withrow

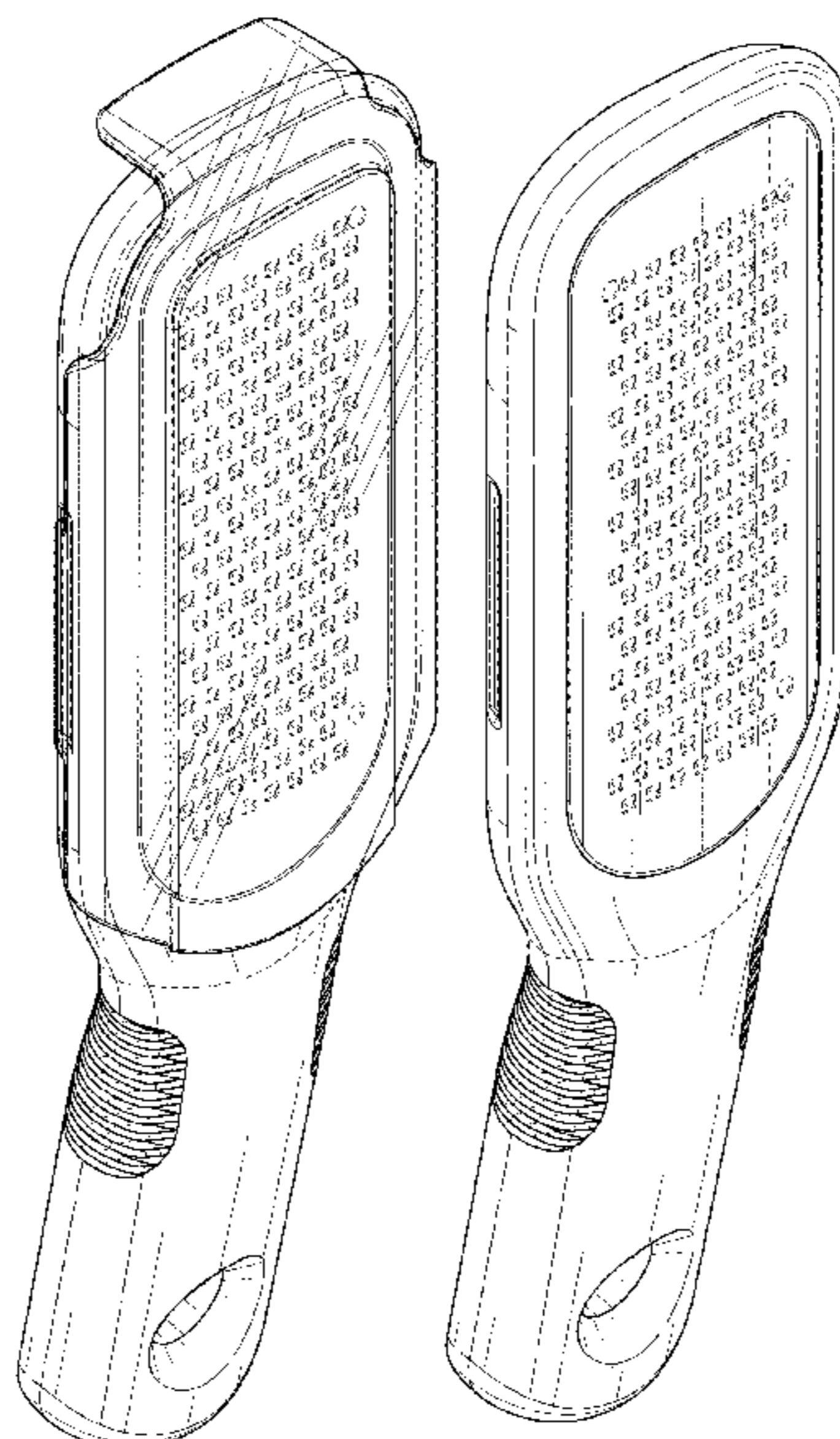
(57) **CLAIM**

The ornamental design for a grater with cover, as shown and described.

DESCRIPTION

FIG. 1 is a perspective view of a grater with cover; FIG. 2 is a front elevation of FIG. 1; FIG. 3 is a rear elevation view of FIG. 1; FIG. 4 is a left side elevation view of FIG. 1; FIG. 5 is a right side elevation view of FIG. 1; FIG. 6 is a top plan view of FIG. 1; FIG. 7 is a bottom plan view of FIG. 1; FIG. 8 is a perspective view of FIG. 1 shown with the cover removed; FIG. 9 is a front elevation of FIG. 8; and, FIG. 10 is a right side elevation view of FIG. 8. The broken lines in the drawings depict portions of the grater with cover that form no part of the claimed design. The oblique shade lines in FIGS. 1-7 depict a surface that is transparent.

1 Claim, 8 Drawing Sheets



(56)

References Cited

U.S. PATENT DOCUMENTS

D822,445	S	*	7/2018	O'Halloran	D7/678
D851,470	S	*	6/2019	Simpson	D7/678
D902,672	S	*	11/2020	Kim	D7/678
2004/0247403	A1	*	12/2004	Grace	A47J 43/25 407/29.15
2010/0213294	A1	*	8/2010	Chan	A47J 43/25 241/25
2012/0080548	A1	*	4/2012	Kent	A47J 43/25 241/95
2012/0180323	A1	*	7/2012	Goto	A47J 43/25 30/279.2

OTHER PUBLICATIONS

City Mill website, OXO Good Grips Etched Coarse Grater, Publication date unknown, [site visited Jan. 20, 2022], Available on the Internet URL <https://www.citymill.com/239795-oxo-good-grips-etched-coarse-grater> (Year: 2022).*

* cited by examiner

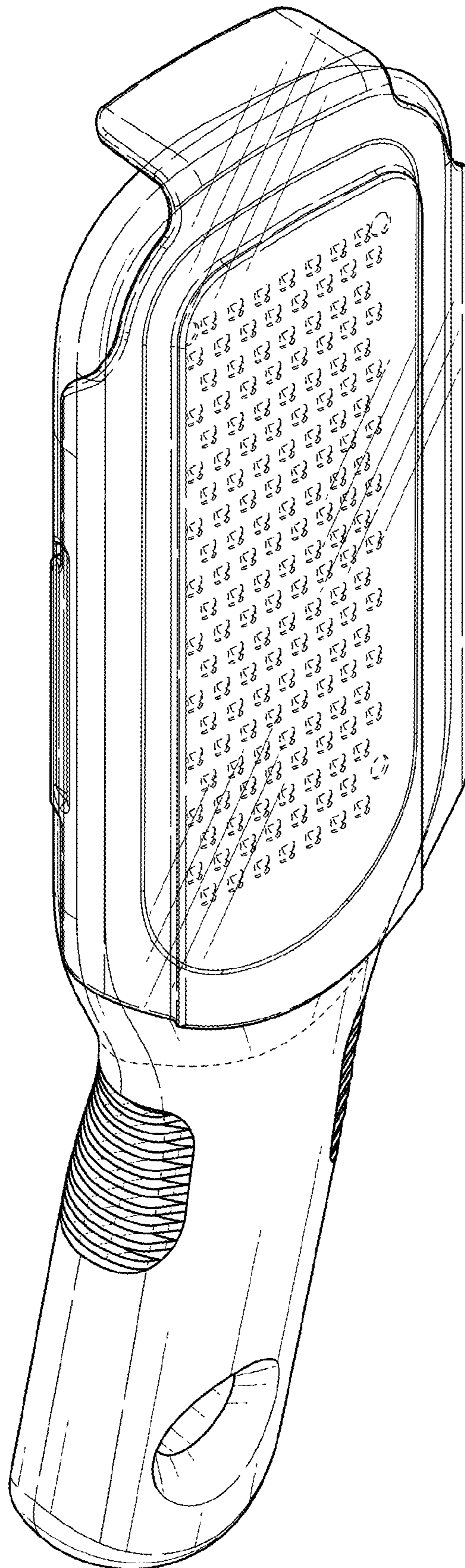


FIG. 1

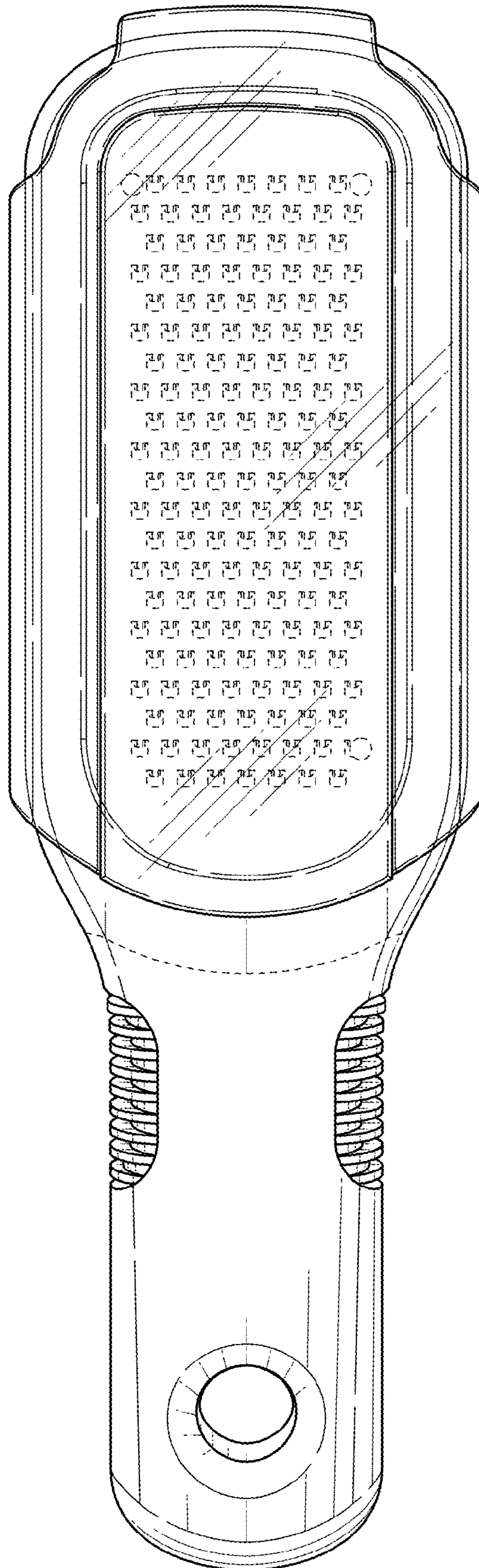


FIG. 2

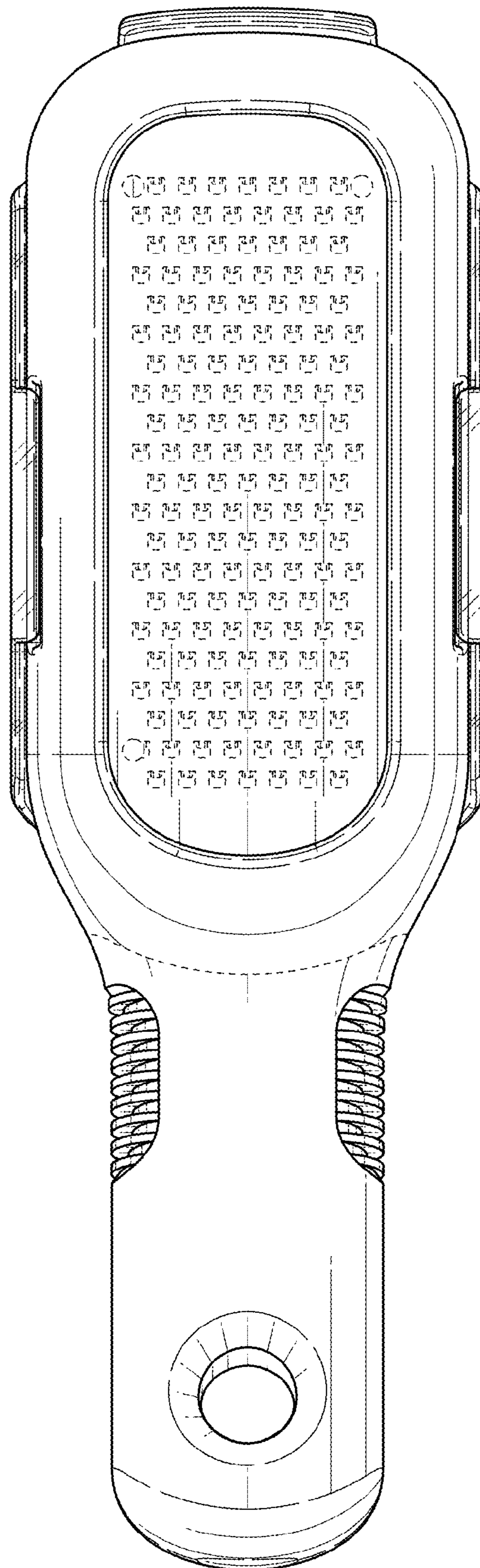


FIG. 3

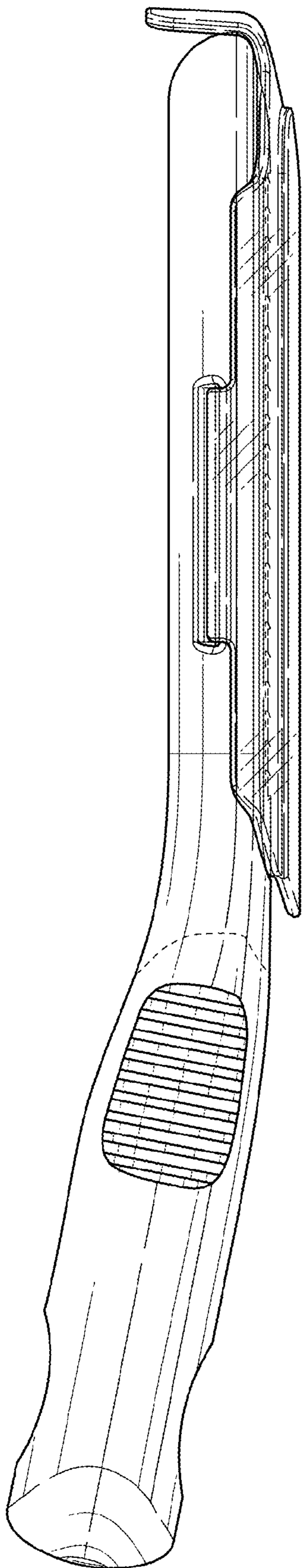


FIG. 4

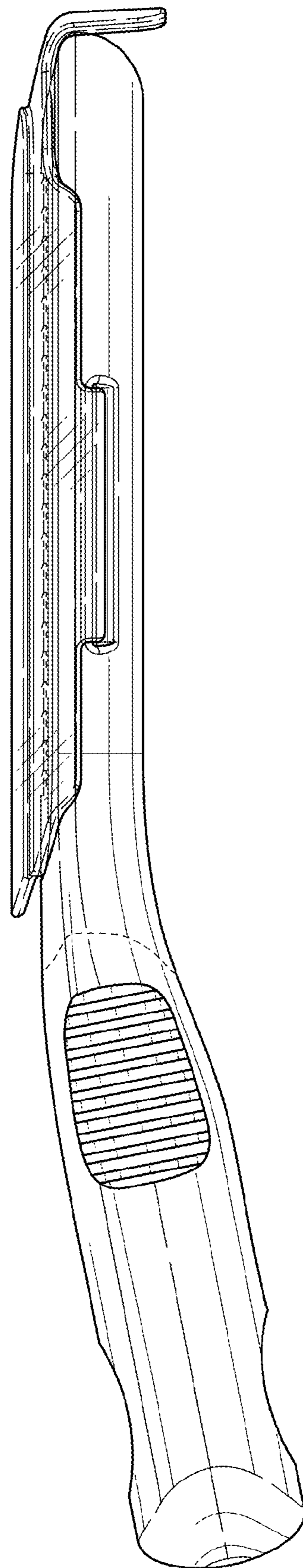


FIG. 5

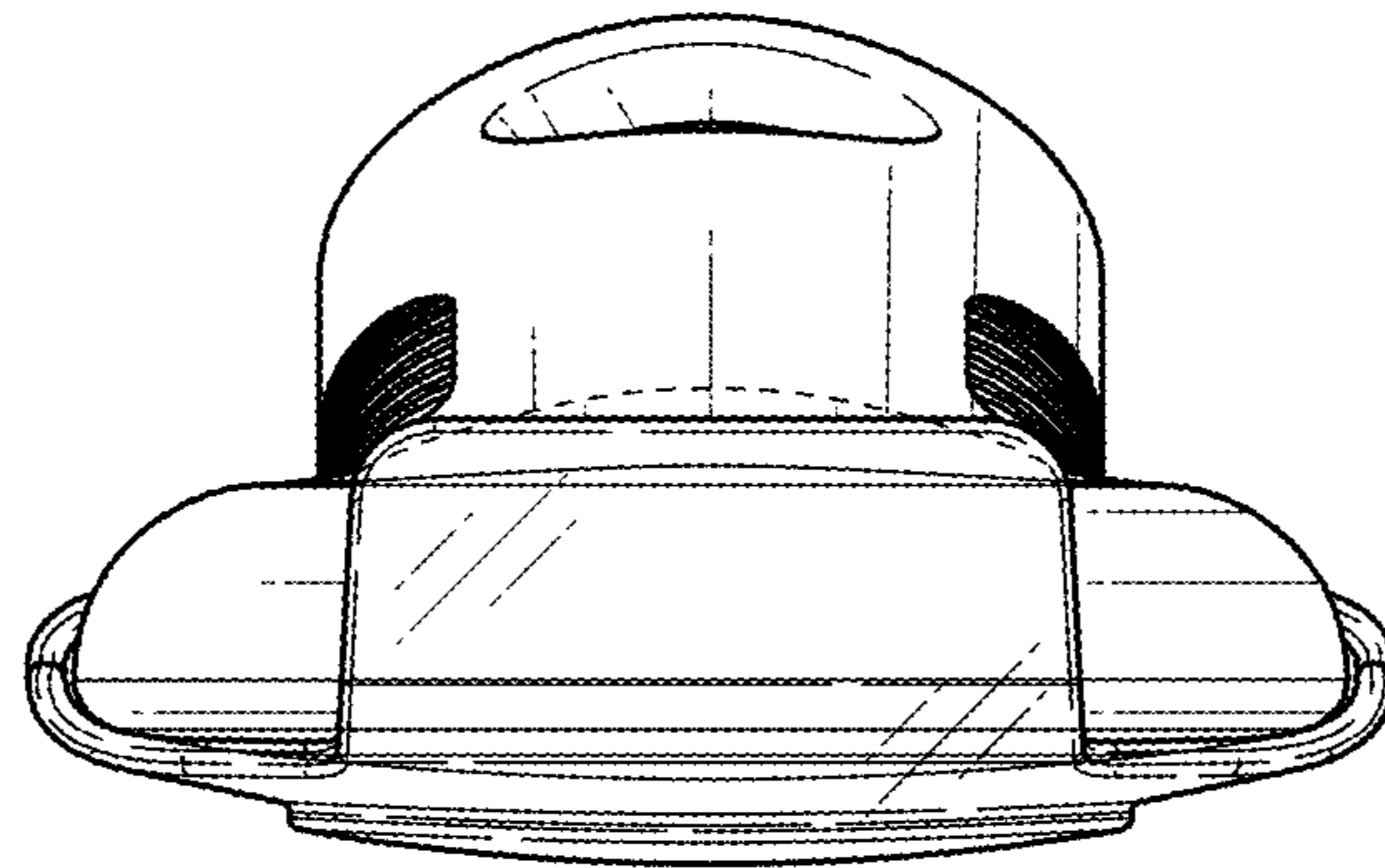


FIG. 6

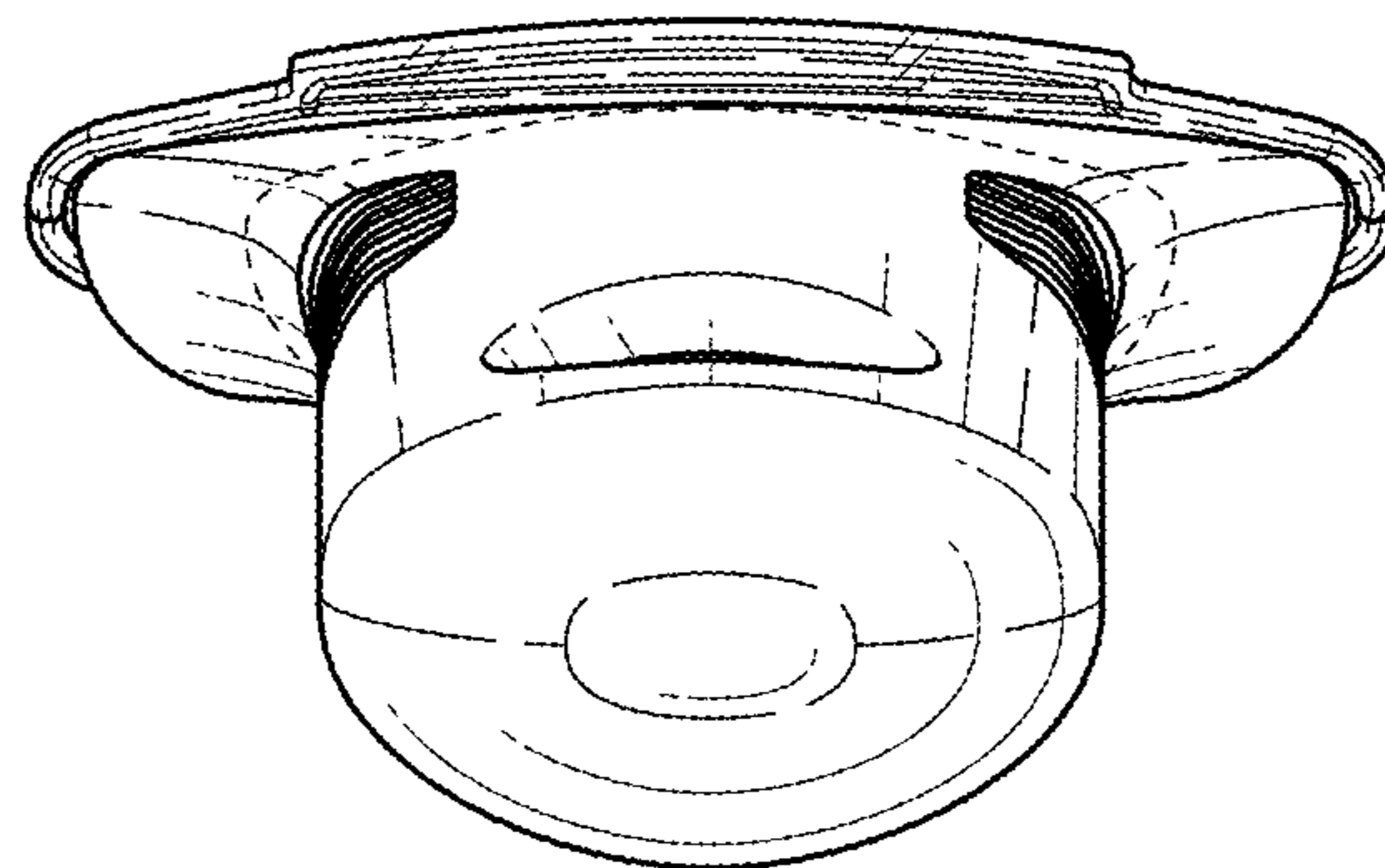


FIG. 7

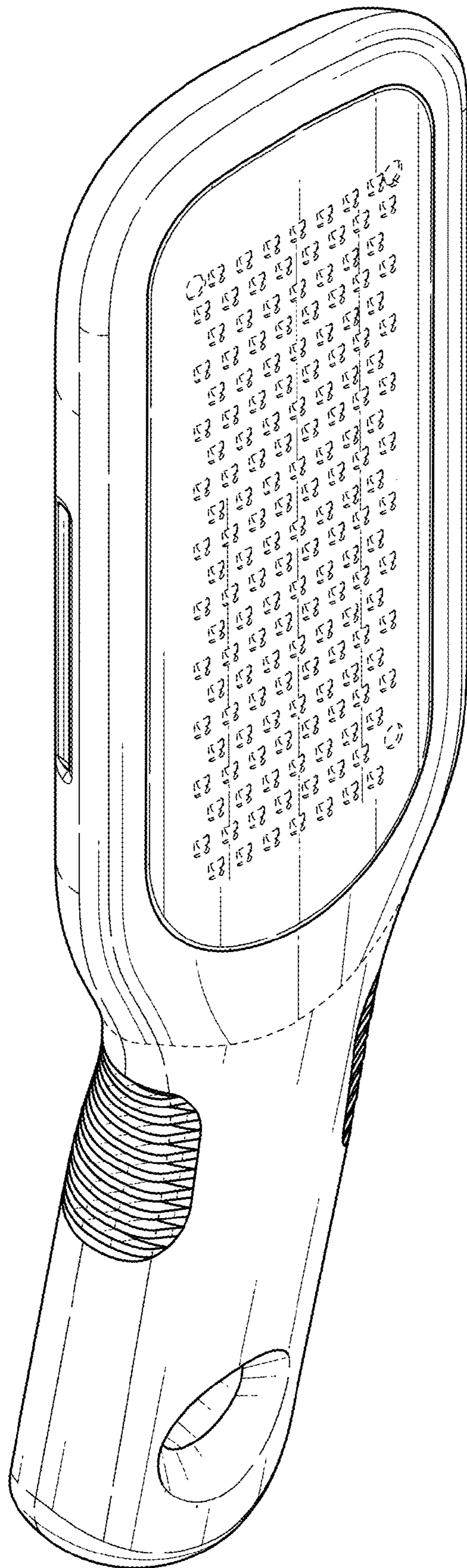


FIG. 8

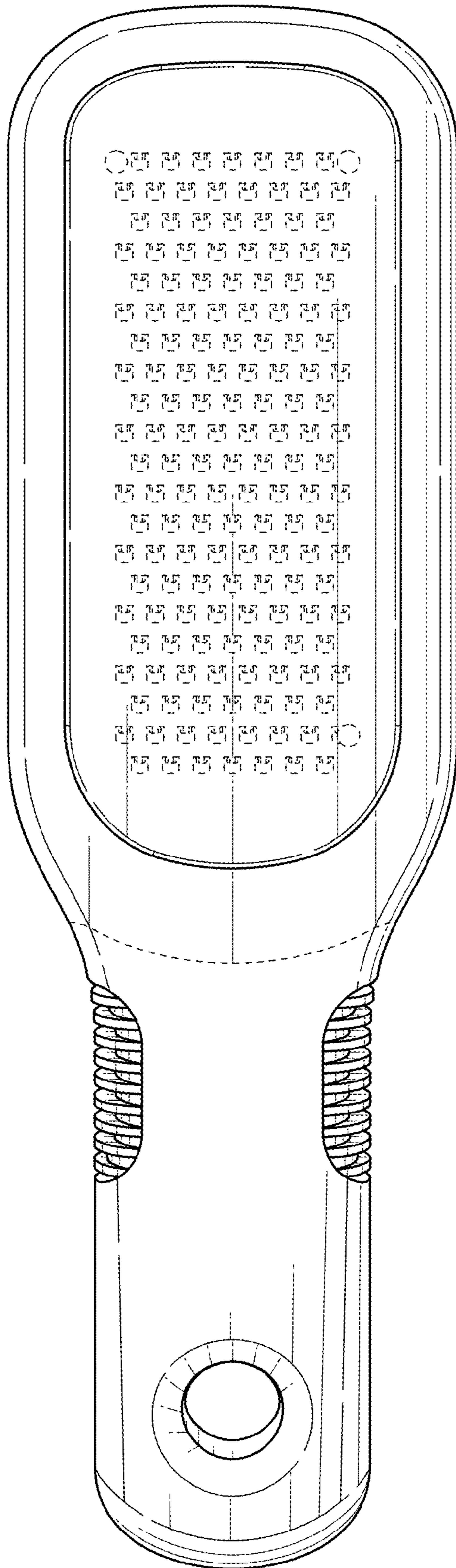


FIG. 9

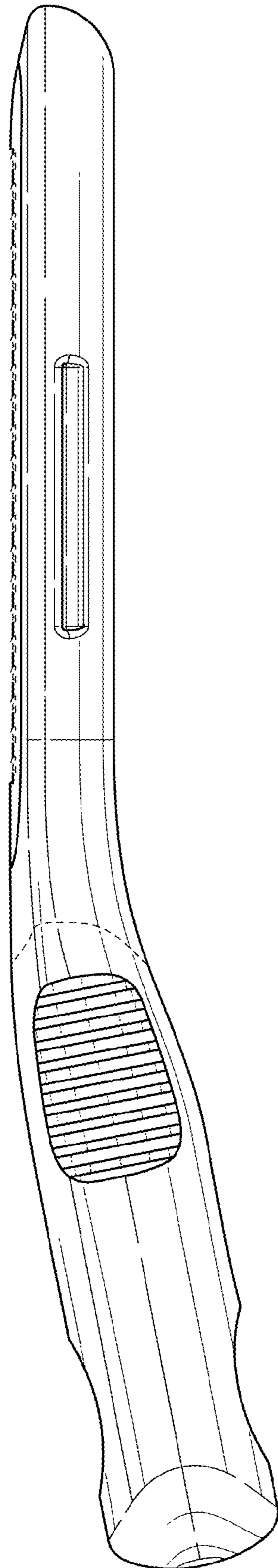


FIG. 10