



US00D953123S

(12) **United States Design Patent** (10) **Patent No.:** **US D953,123 S**
de Sicart et al. (45) **Date of Patent:** **** May 31, 2022**

(54) **LUNCH BOX**

(71) Applicant: **Shijiazhuang FAR EAST Import and Export Trading Co., Ltd.**,
Shijiazhuang (CN)

(72) Inventors: **David Prieto de Sicart**, Barcelona (ES); **Marc Zamora Salvador**, Barcelona (ES); **Jianzhong Zhang**, Shijiazhuang (CN); **Xiaojia Liu**, Shijiazhuang (CN)

(**) Term: **15 Years**

(21) Appl. No.: **29/738,200**

(22) Filed: **Jun. 16, 2020**

(51) **LOC (13) Cl.** **09-07**

(52) **U.S. Cl.**
USPC **D7/629**

(58) **Field of Classification Search**
USPC D28/66, 82, 85, 88; D7/300, 384, 401.1, D7/413-415, 428, 454, 589-590, 598, D7/642.2-642.3, 545, 586-587, 629, 641, D7/708; D9/428, 430, 435-436, 454, D9/688-690, 695-696, 711, 723, D9/726-727, 768, 771, 777, 782, 445, D9/448, 686, 688-691, 693, 708
CPC A47G 23/04; A47J 41/00; A47J 43/27
See application file for complete search history.

(56) **References Cited**

U.S. PATENT DOCUMENTS

D272,223 S *	1/1984	Daenen	D7/629
D278,674 S *	5/1985	Tardif	D7/629
D404,262 S *	1/1999	McGill	D7/629
7,051,730 B2 *	5/2006	Lin	A47J 36/24
				126/246
D590,667 S *	4/2009	Trombly	D7/615
D755,051 S *	5/2016	Otani	D9/504
D756,772 S *	5/2016	Wei	D9/436
D763,073 S *	8/2016	Romero Salido	D9/436

D766,093 S *	9/2016	Otani	D9/560
D850,495 S *	6/2019	Dubiel	D15/28
D862,989 S *	10/2019	Lee	D7/596
D876,176 S *	2/2020	Pentelovitch	D7/629
D878,165 S *	3/2020	Pentelovitch	D7/629

(Continued)

FOREIGN PATENT DOCUMENTS

CN	306366013	*	3/2021
CN	306658863	*	7/2021
EM	008026629-0002	*	7/2020

OTHER PUBLICATIONS

Mason Jar Snack Pack, brand unlisted, blogs.sas.com, published by Ashley Bailey on Nov. 20, 2019 © 2021 SAS Institute Inc., online, site visited Aug. 24, 2021. Available at URL: <https://blogs.sas.com/content/efs/2019/11/20/diy-mason-jar-snack-packs/> (Year: 2019).*

Primary Examiner — Sandra Snapp
Assistant Examiner — Altaira J Swangin

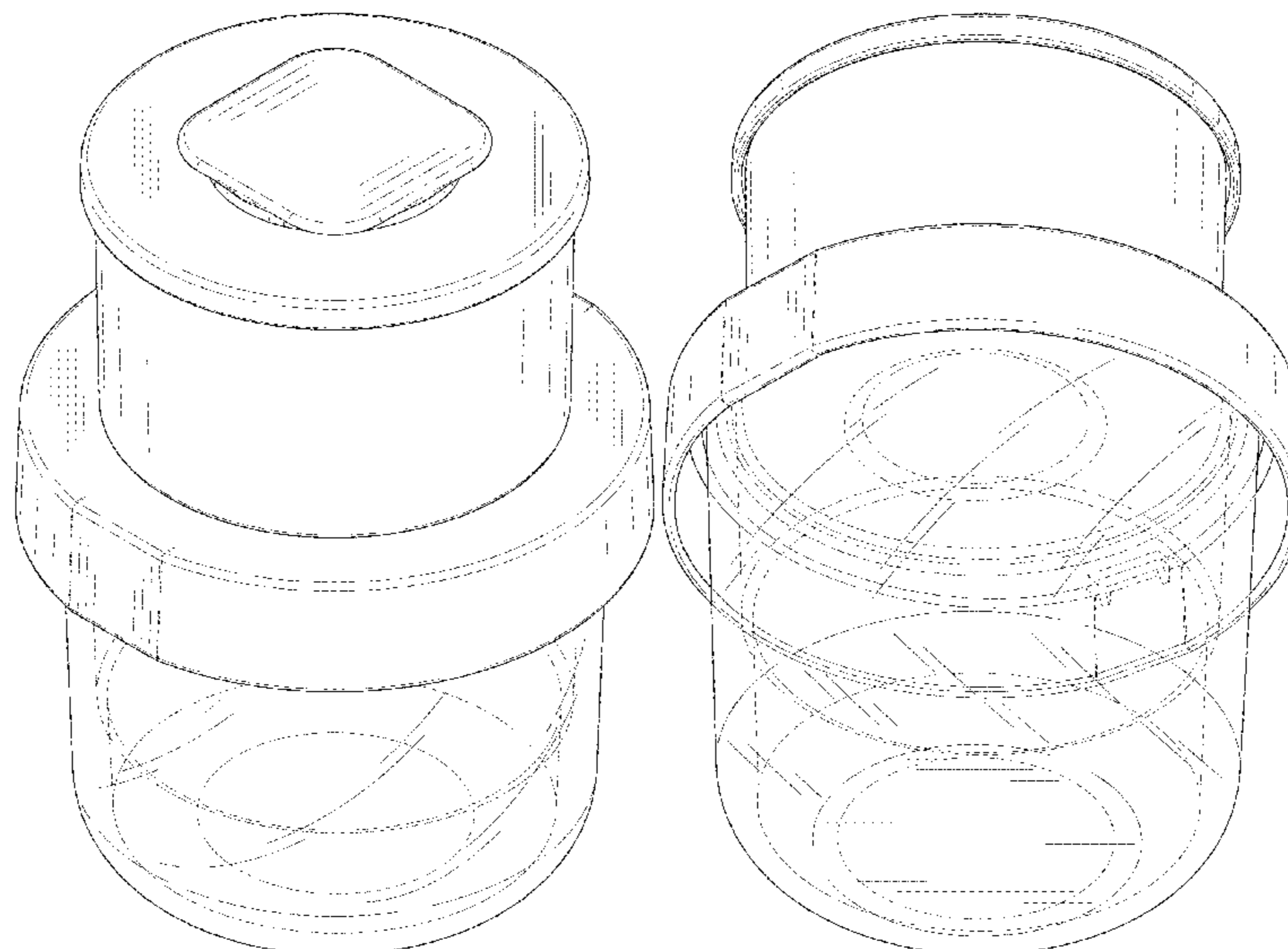
(57) **CLAIM**

The ornamental design for lunch box, as shown and described.

DESCRIPTION

FIG. 1 is a top perspective view of a lunch box showing our new design;
FIG. 2 is a bottom perspective view thereof;
FIG. 3 is a front view thereof;
FIG. 4 is a back view thereof;
FIG. 5 is a left side view thereof;
FIG. 6 is a right side view thereof;
FIG. 7 is a top view thereof;
FIG. 8 is a bottom view thereof; and,
FIG. 9 is an exploded top perspective view of the lunch box. The broken lines shown in the drawings depict portions of the lunch box that form no part of the claimed design.

1 Claim, 9 Drawing Sheets



(56)

References Cited

U.S. PATENT DOCUMENTS

D887,792	S *	6/2020	Basios	D7/629
D906,765	S *	1/2021	Lundstrom	D7/629
D914,500	S *	3/2021	Blomberg	D9/500
D938,236	S *	12/2021	Yen	D7/629
D938,776	S *	12/2021	Hayon	D7/378
2010/0006579	A1 *	1/2010	Roth	F25D 3/08 220/592.01
2021/0212521	A1 *	7/2021	Langgaard	A47J 43/27

* cited by examiner

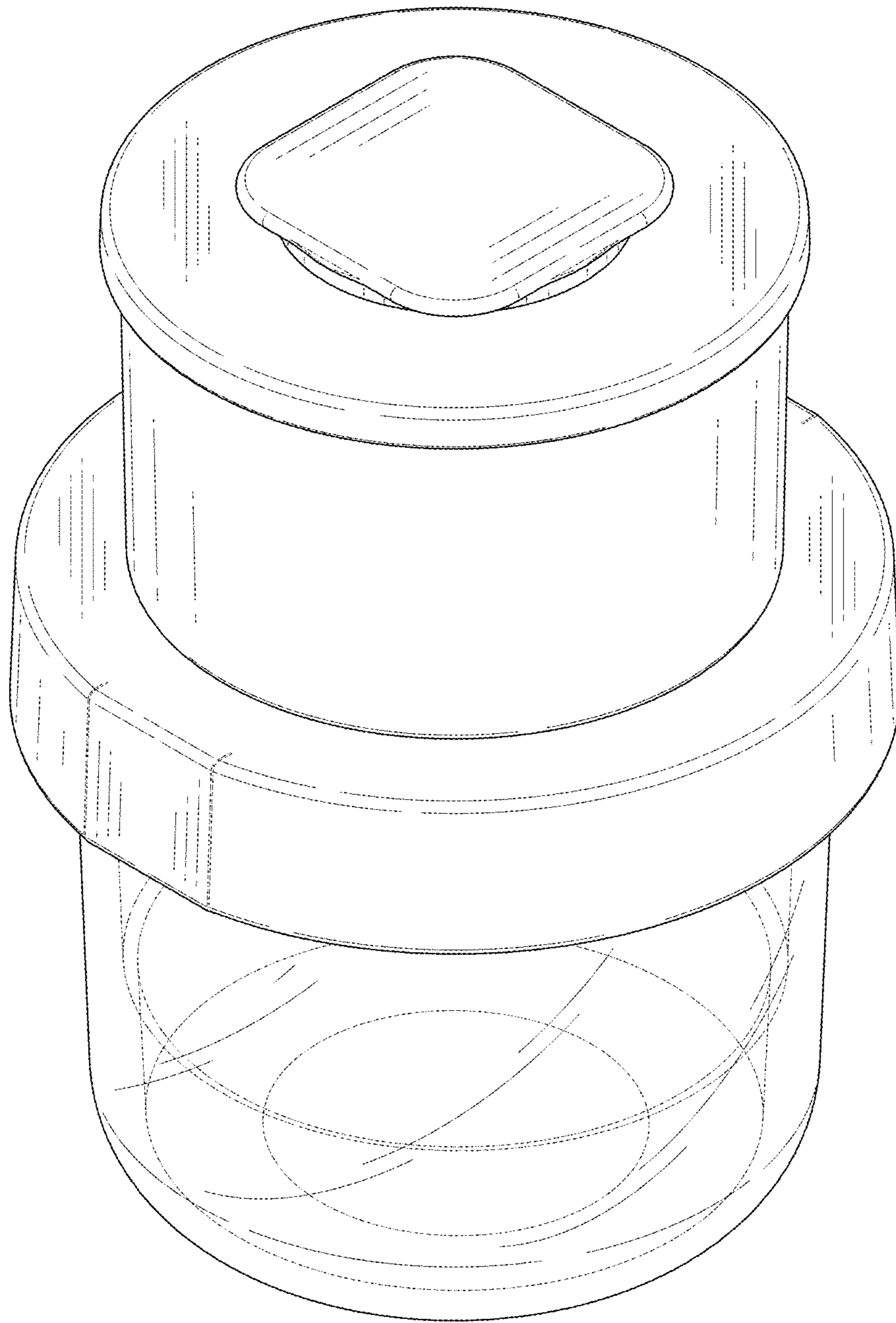


FIG. 1

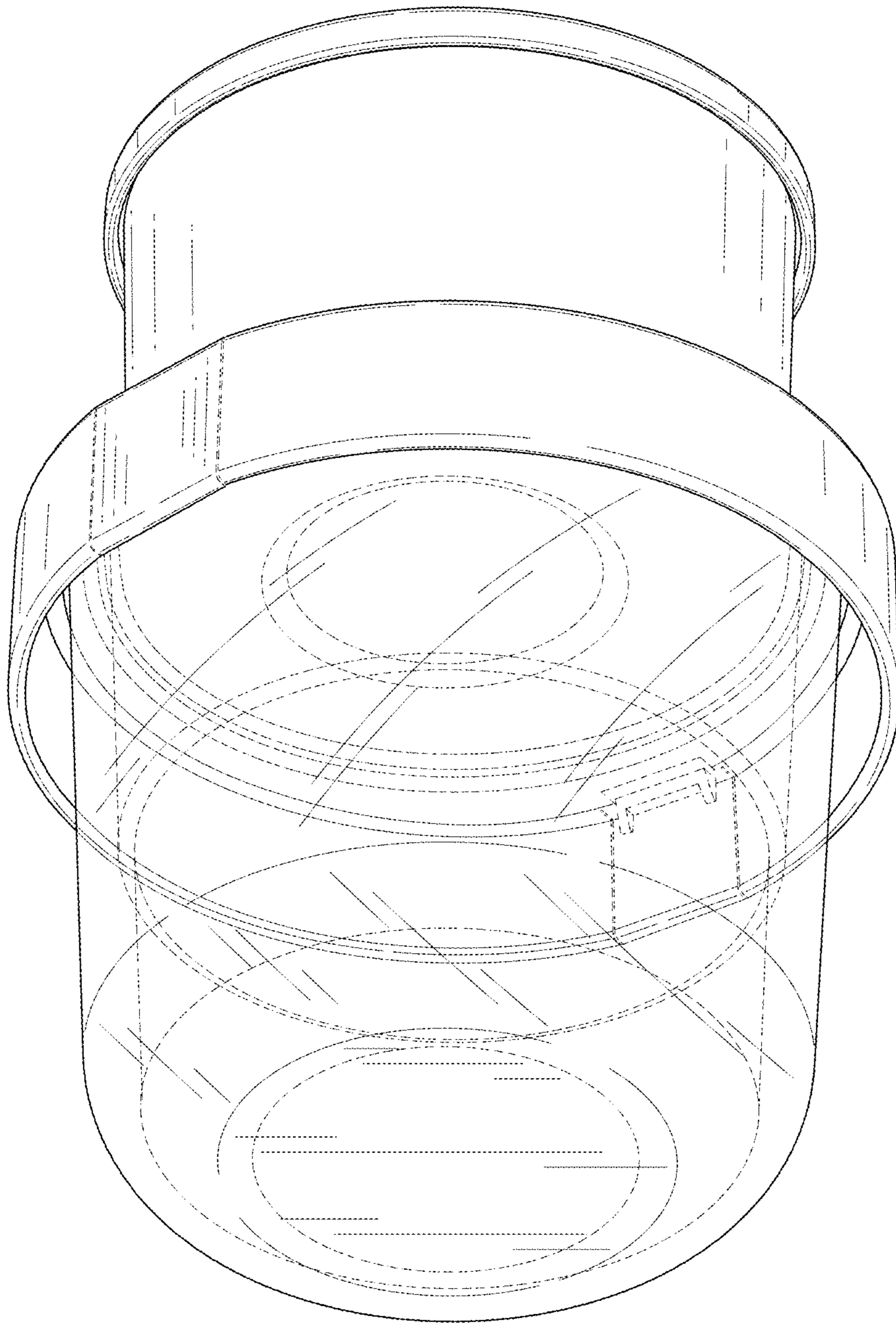


FIG. 2

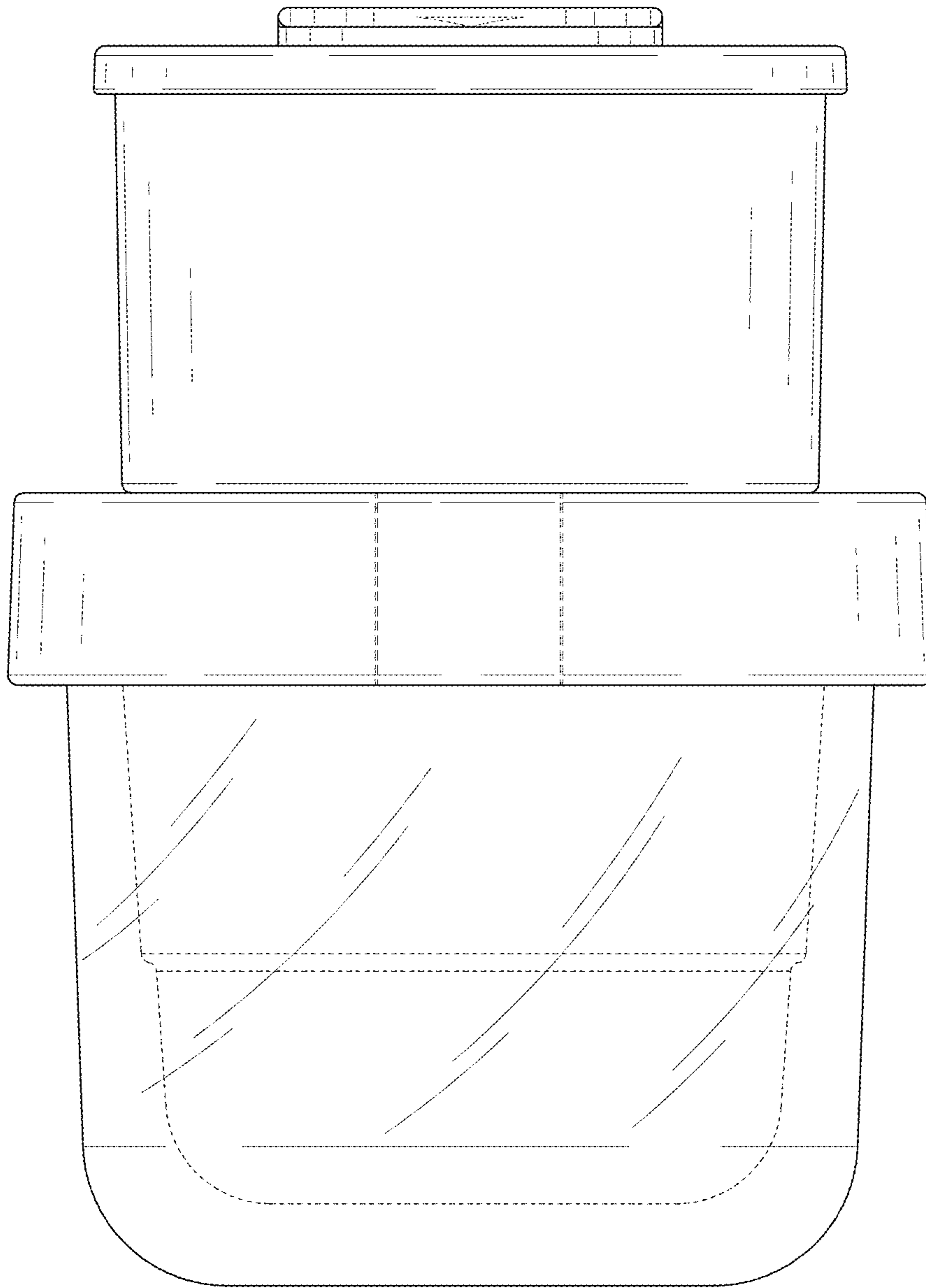


FIG. 3

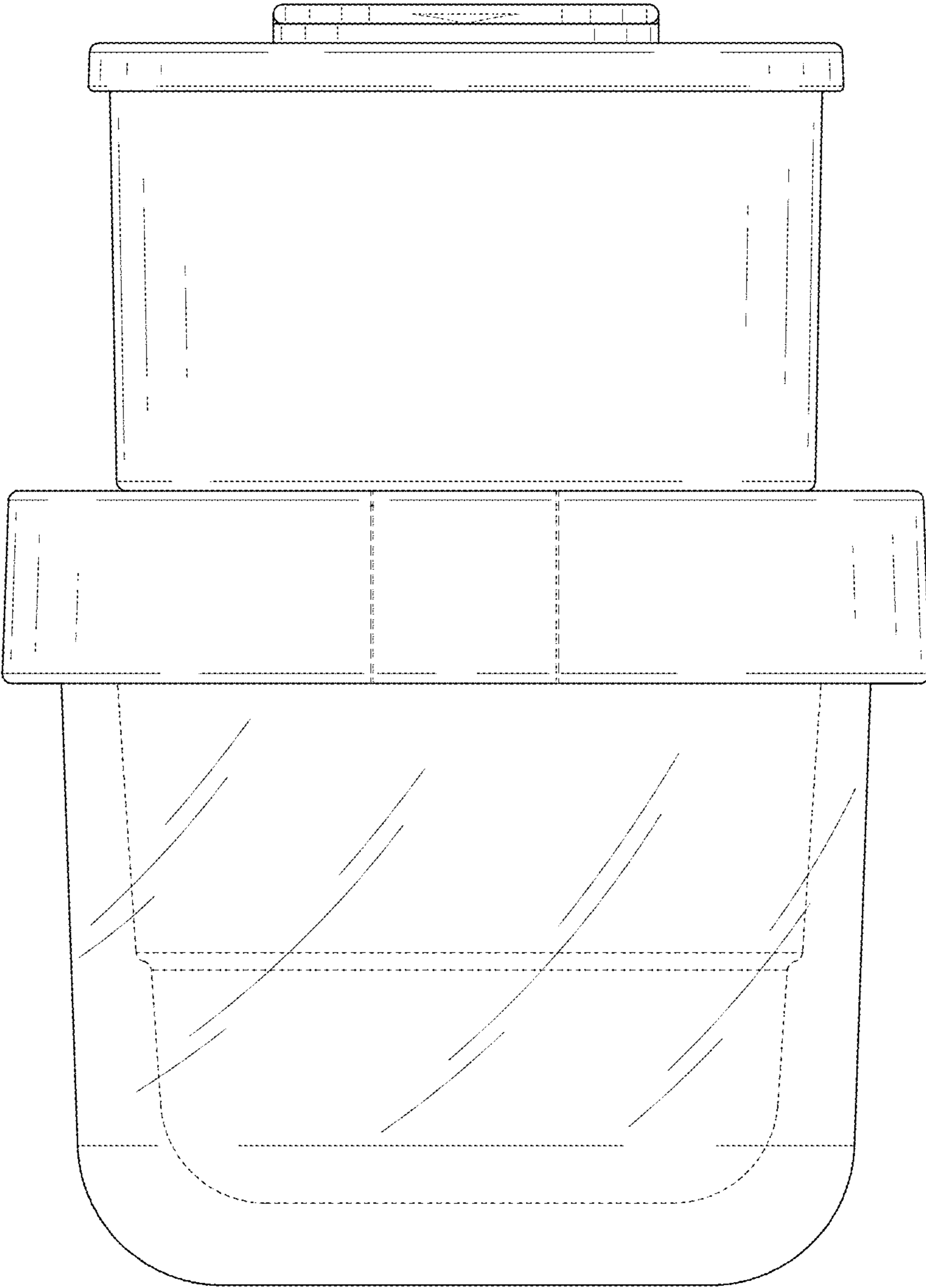


FIG. 4

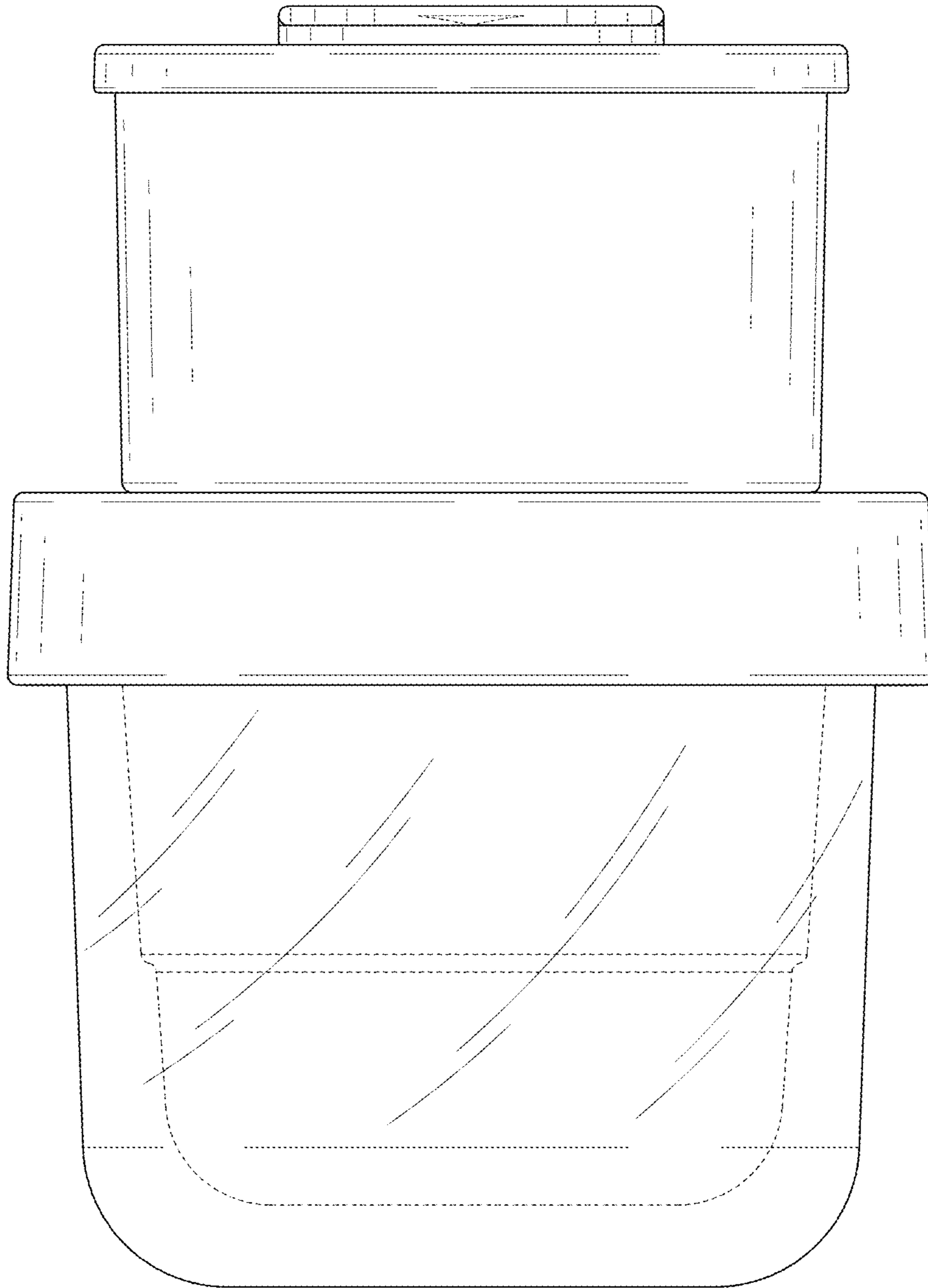


FIG. 5

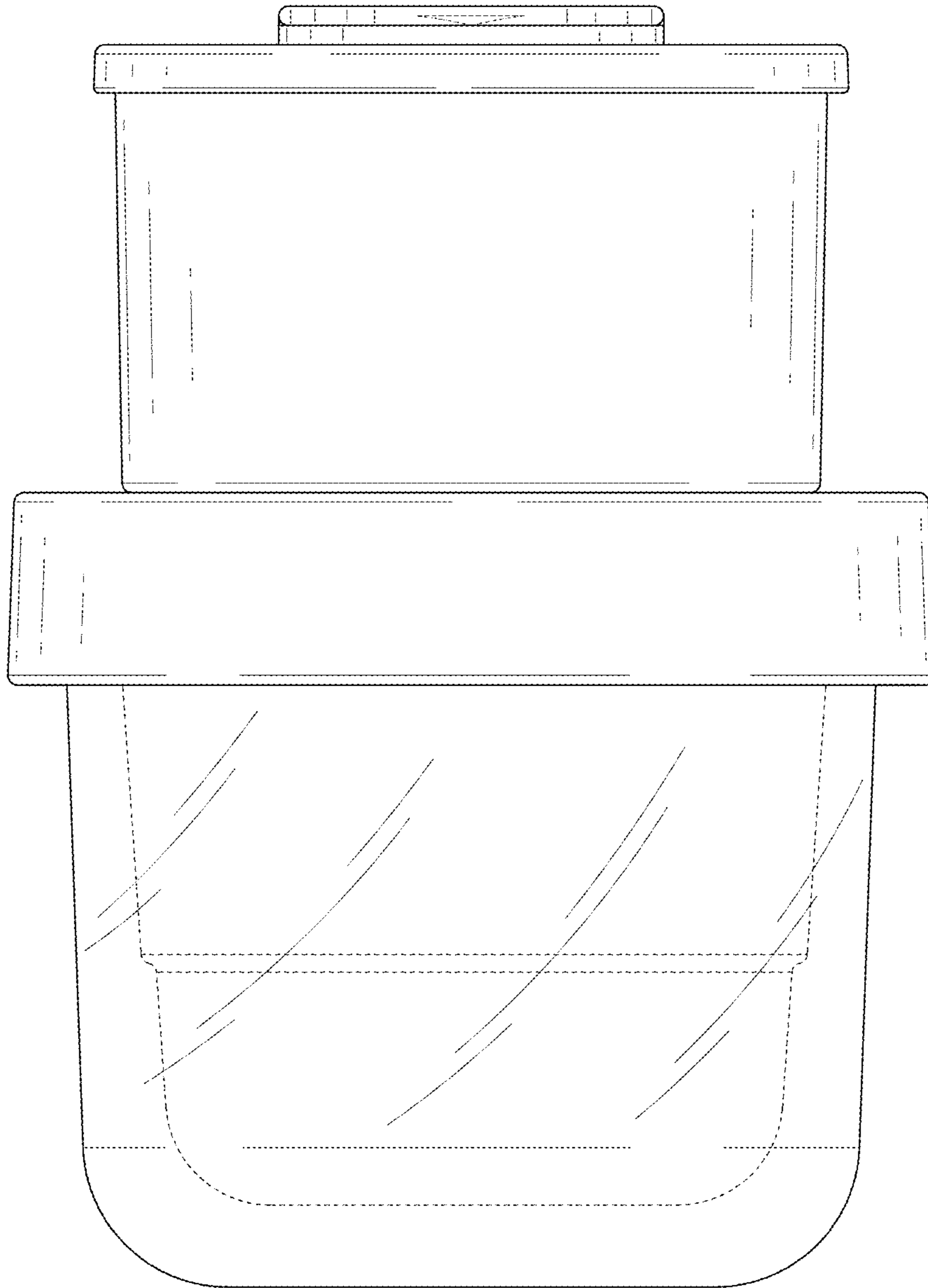


FIG. 6

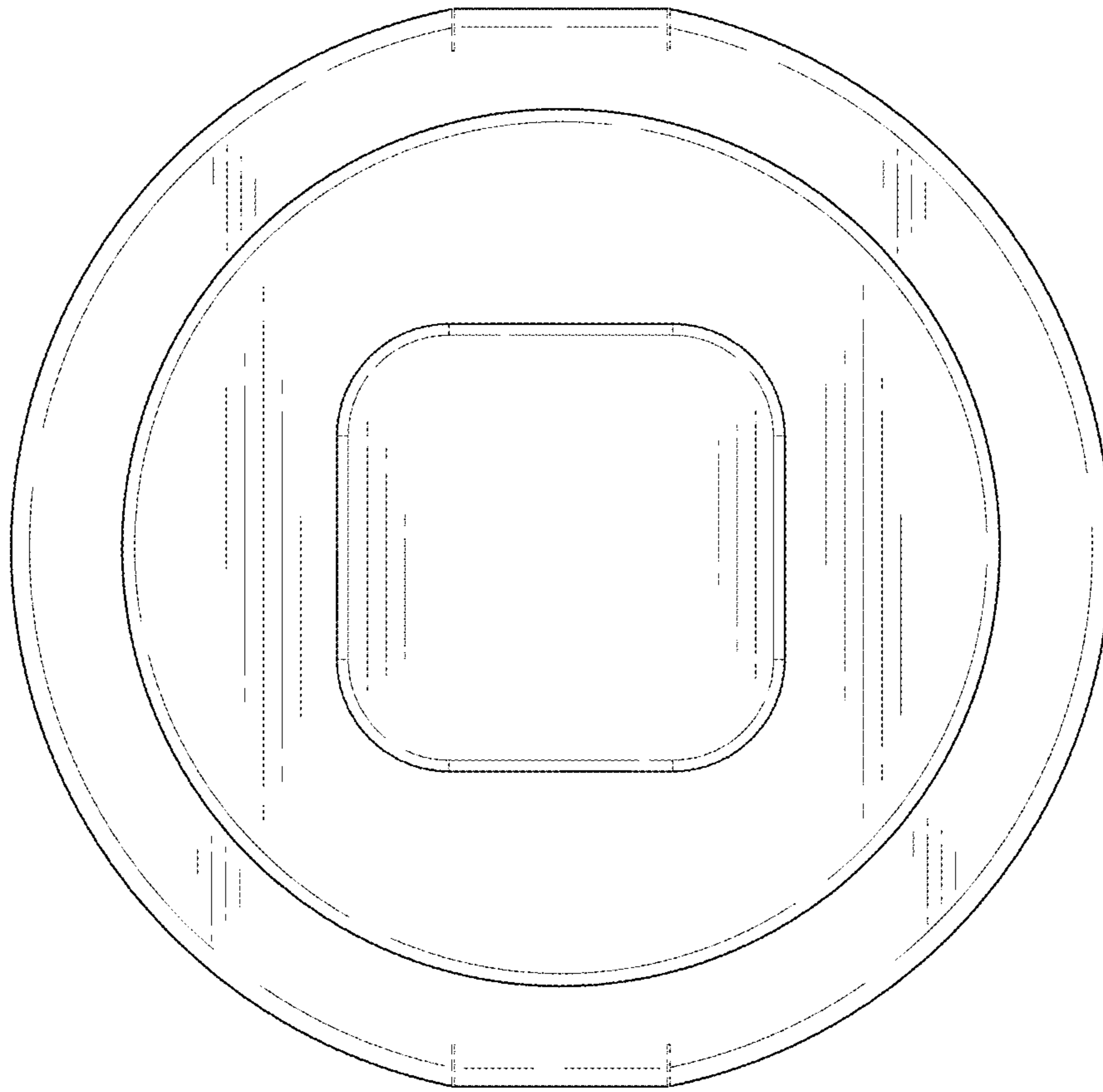


FIG. 7

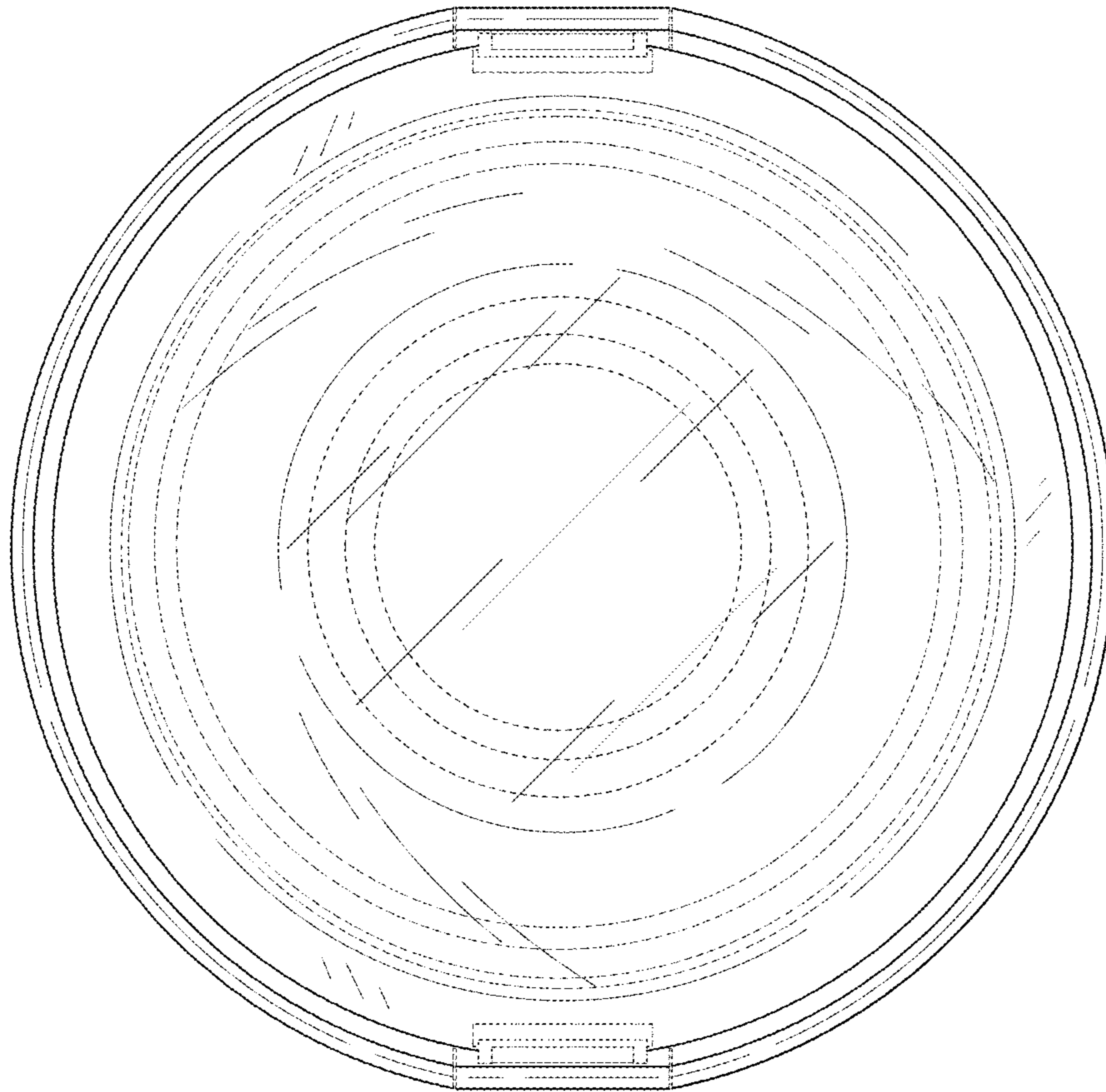


FIG. 8

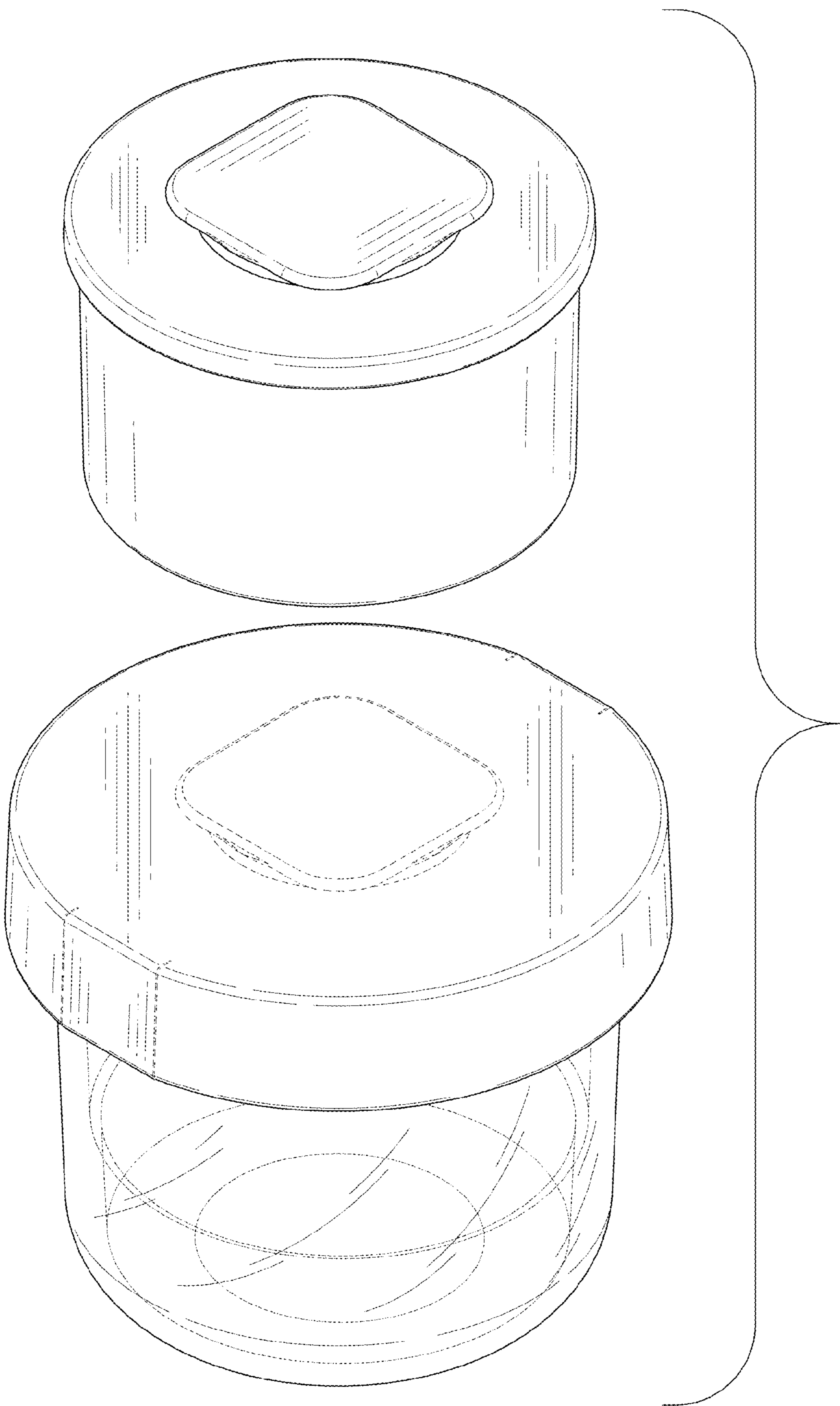


FIG. 9