



US00D953122S

(12) **United States Design Patent** (10) **Patent No.:** **US D953,122 S**
de Sicart et al. (45) **Date of Patent:** **** May 31, 2022**

(54) **LUNCH BOX**
(71) Applicant: **Shijiazhuang FAR EAST Import and Export Trading Co., Ltd.**,
Shijiazhuang (CN)

D876,176 S * 2/2020 Pentelovitch D7/629
D878,165 S * 3/2020 Pentelovitch D7/629
D885,903 S * 6/2020 Rane D9/453
D887,793 S * 6/2020 Rane D7/630
D888,508 S * 6/2020 Rane D7/630

(Continued)

(72) Inventors: **David Prieto de Sicart**, Barcelona (ES); **Marc Zamora Salvador**, Barcelona (ES); **Jianzhong Zhang**, Shijiazhuang (CN); **Xiaojia Liu**, Shijiazhuang (CN)

FOREIGN PATENT DOCUMENTS

CN 306366013 * 3/2021
EM 008026629-0003 * 7/2020
EM 008026629-0004 * 7/2020

(**) Term: **15 Years**

OTHER PUBLICATIONS

(21) Appl. No.: **29/738,199**

Twist and Seal Storage Container, Zyliss, zyliss.com, author unlisted, published on Jan. 22, 2021 perwayback machine © 2020 The Official Zyliss Brand Site, online, site visited Sep. 17, 2021. Available at URL: <https://www.zyliss.com/store/products/zyliss-twist-and-seal-54oz-storage-container-e981056> (Year: 2021).*

(22) Filed: **Jun. 16, 2020**

(51) **LOC (13) Cl.** **09-07**

(52) **U.S. Cl.**
USPC **D7/629**

Primary Examiner — Sandra Snapp
Assistant Examiner — Altaira J Swangin

(58) **Field of Classification Search**
USPC D7/368, 392.1, 555, 601–603, 605, D7/629–630, 637, 708.1, 759–761; D9/414–416, 418, 420, 424–425, D9/430–432; D3/294, 304, 309, 312
CPC . B65D 1/26; B65D 1/40; B65D 81/34; B65D 85/345; B65D 43/022; B65D 51/1616
See application file for complete search history.

(57) **CLAIM**

The ornamental design for a lunch box, as shown and described.

DESCRIPTION

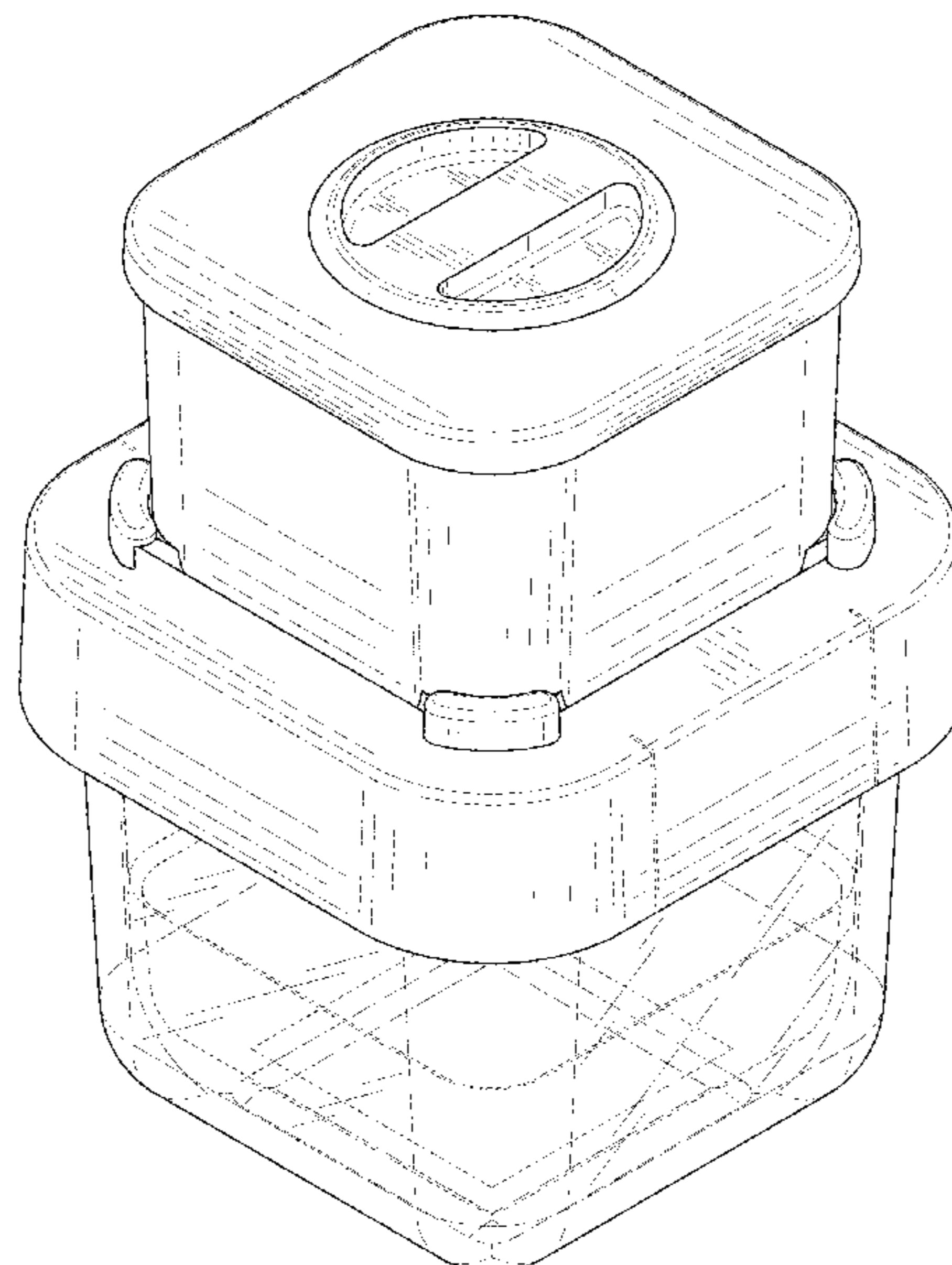
(56) **References Cited**

U.S. PATENT DOCUMENTS

D479,951 S * 9/2003 Segura D7/608
D532,937 S * 11/2006 Noh D28/76
D572,086 S * 7/2008 Matsumoto D7/614
D610,412 S * 2/2010 Matsumoto D7/629
D630,475 S * 1/2011 Lu D7/629
D766,093 S * 9/2016 Otani D9/560
D801,116 S * 10/2017 Cerasani D7/510
D817,701 S * 5/2018 Ho D7/391
D821,807 S * 7/2018 Yap D7/391

FIG. 1 is a top perspective view of a lunch box showing our new design;
FIG. 2 is a bottom perspective view thereof;
FIG. 3 is a front view thereof;
FIG. 4 is a back view thereof;
FIG. 5 is a left side view thereof;
FIG. 6 is a right side view thereof;
FIG. 7 is a top view thereof;
FIG. 8 is a bottom view thereof; and,
FIG. 9 is an exploded top perspective view of the lunch box. The broken lines shown in the drawings depict portions of the lunch box that form no part of the claimed design.

1 Claim, 9 Drawing Sheets



(56)

References Cited

U.S. PATENT DOCUMENTS

D888,509 S * 6/2020 Rane D7/630
D902,029 S * 11/2020 Sanders D9/432
D920,104 S * 5/2021 Griffin D9/434
2005/0284874 A1 * 12/2005 Lucks B65D 47/121
220/712
2013/0256256 A1 * 10/2013 Krippendorf E05B 43/005
215/200

* cited by examiner

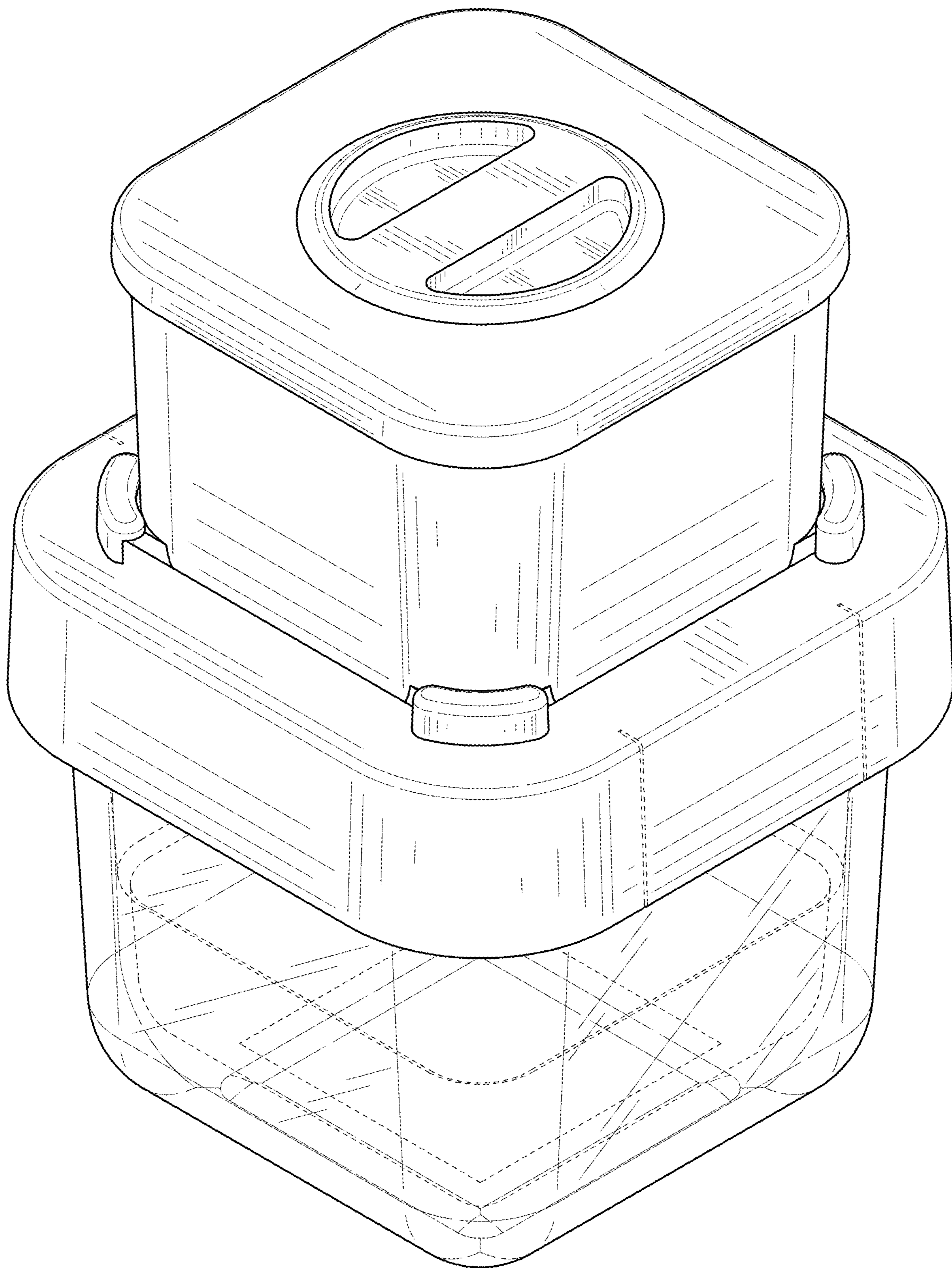


FIG. 1

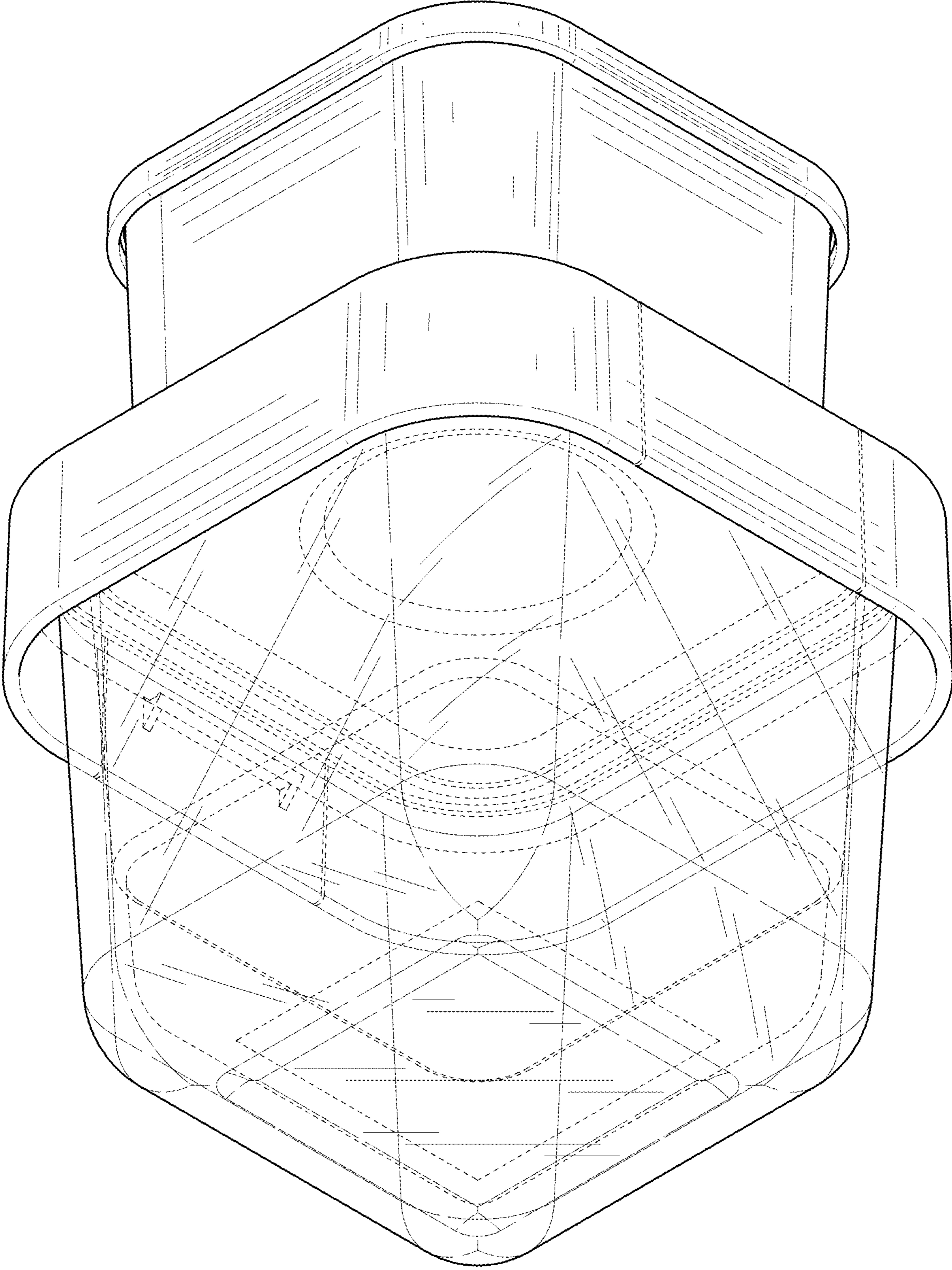


FIG. 2

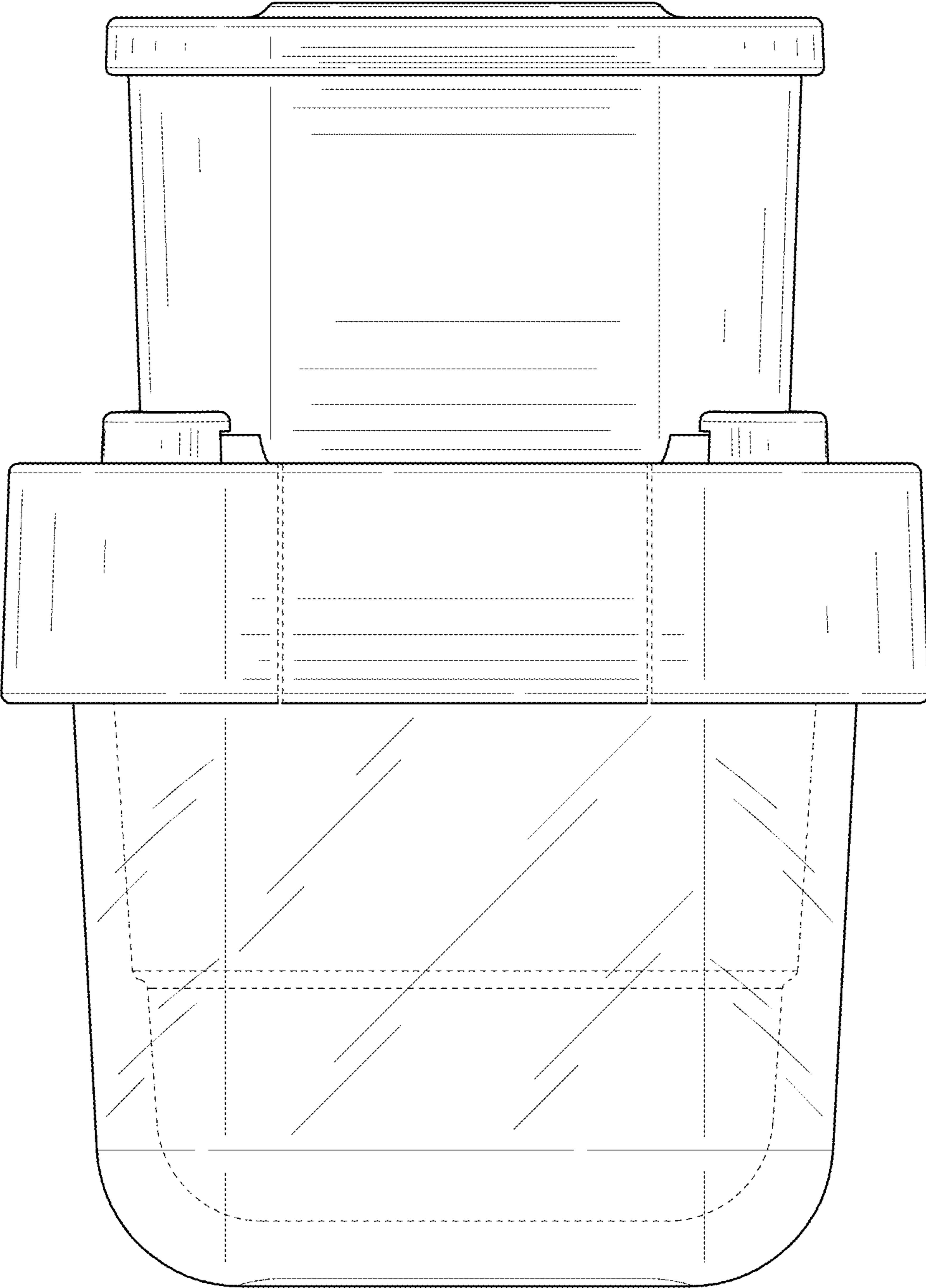


FIG. 3

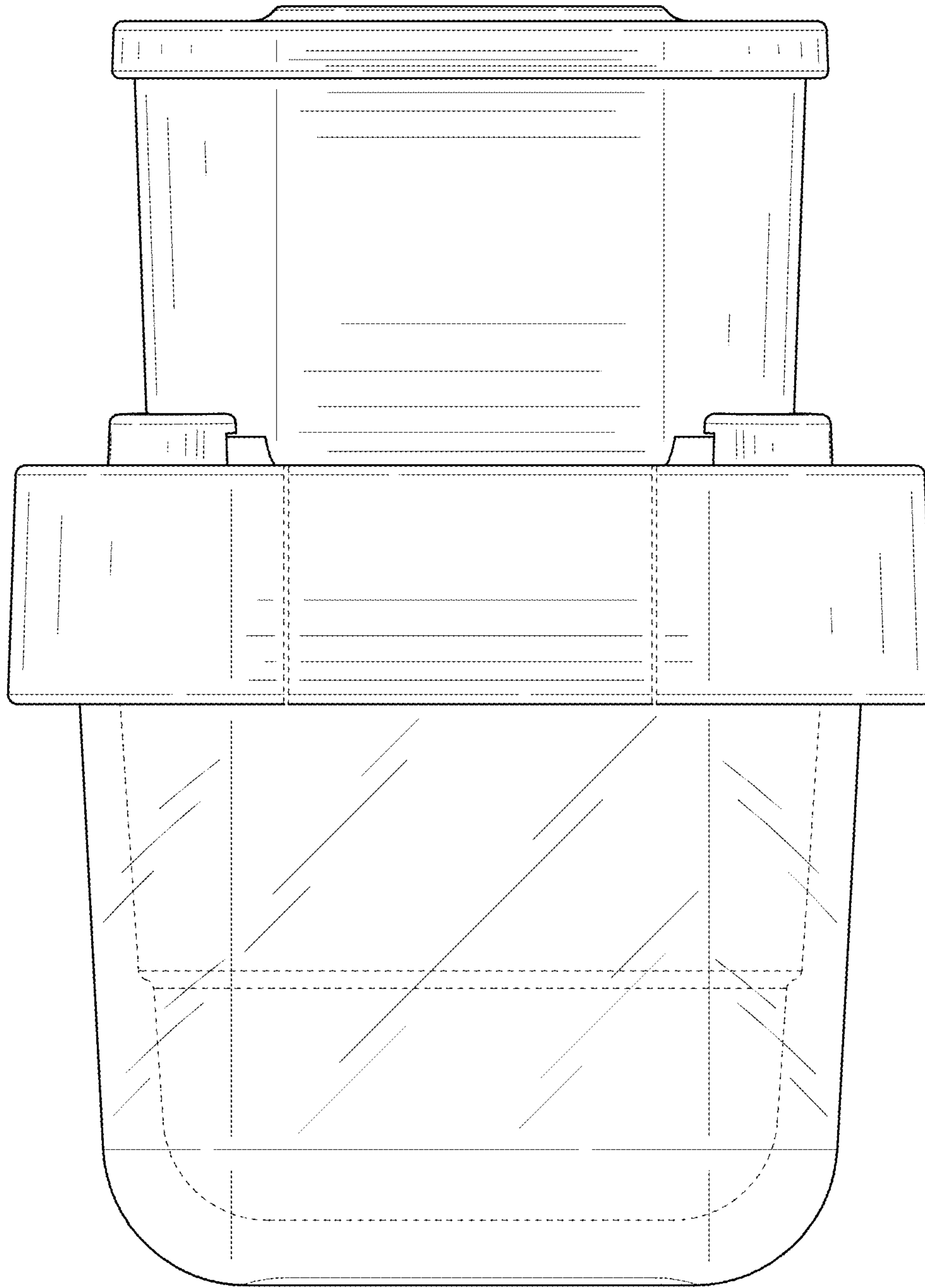


FIG. 4

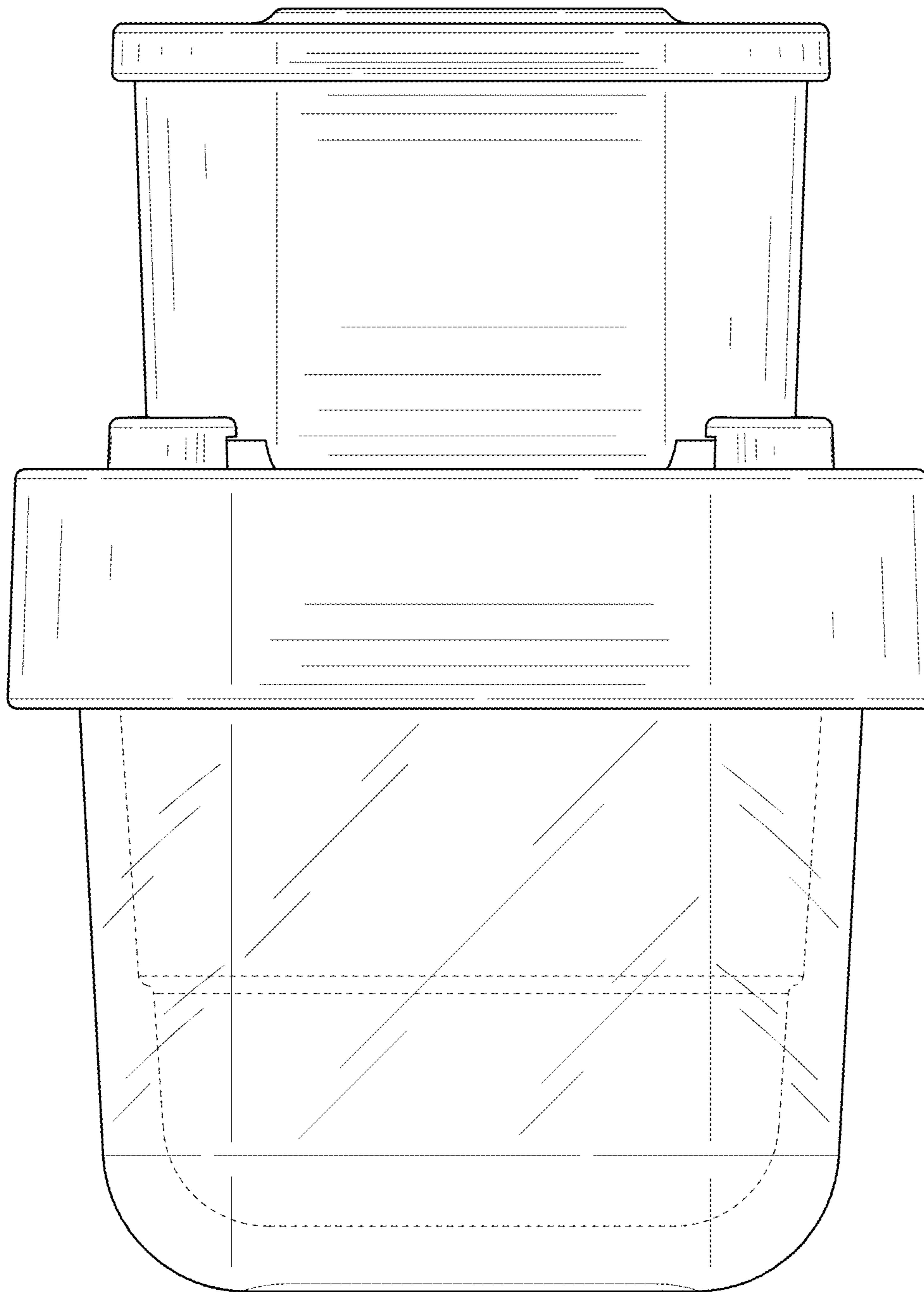


FIG. 5

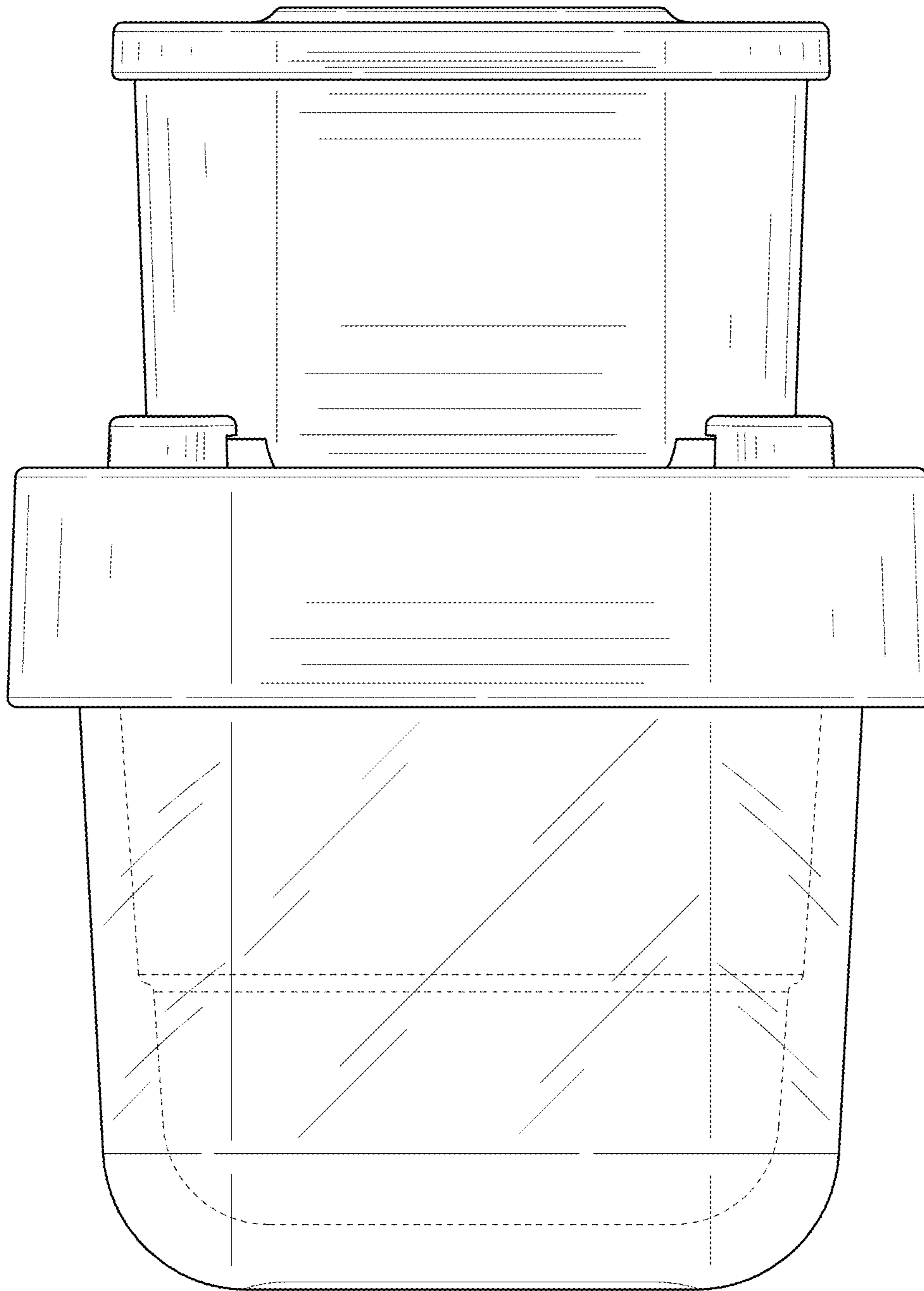


FIG. 6

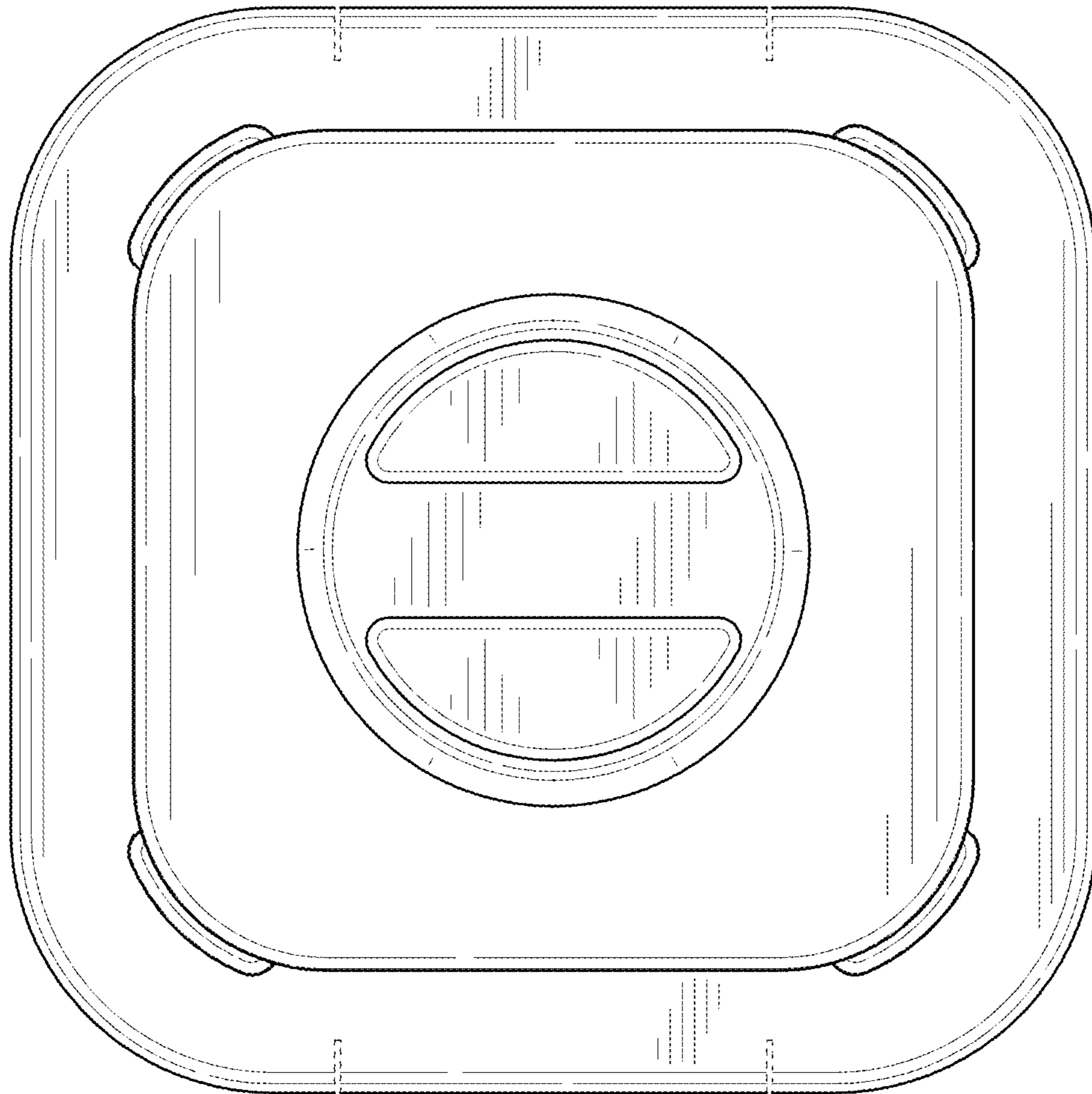


FIG. 7

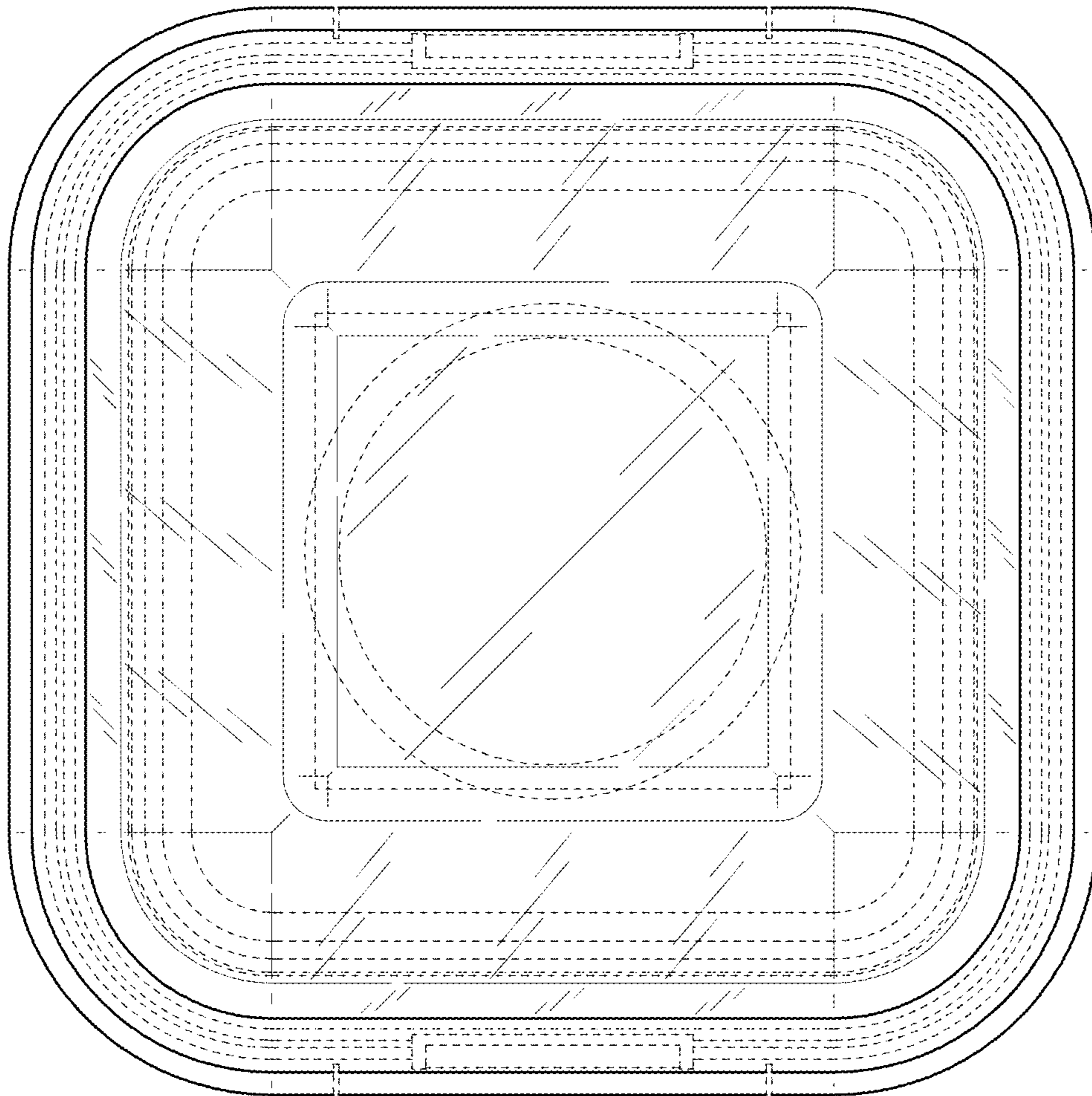


FIG. 8

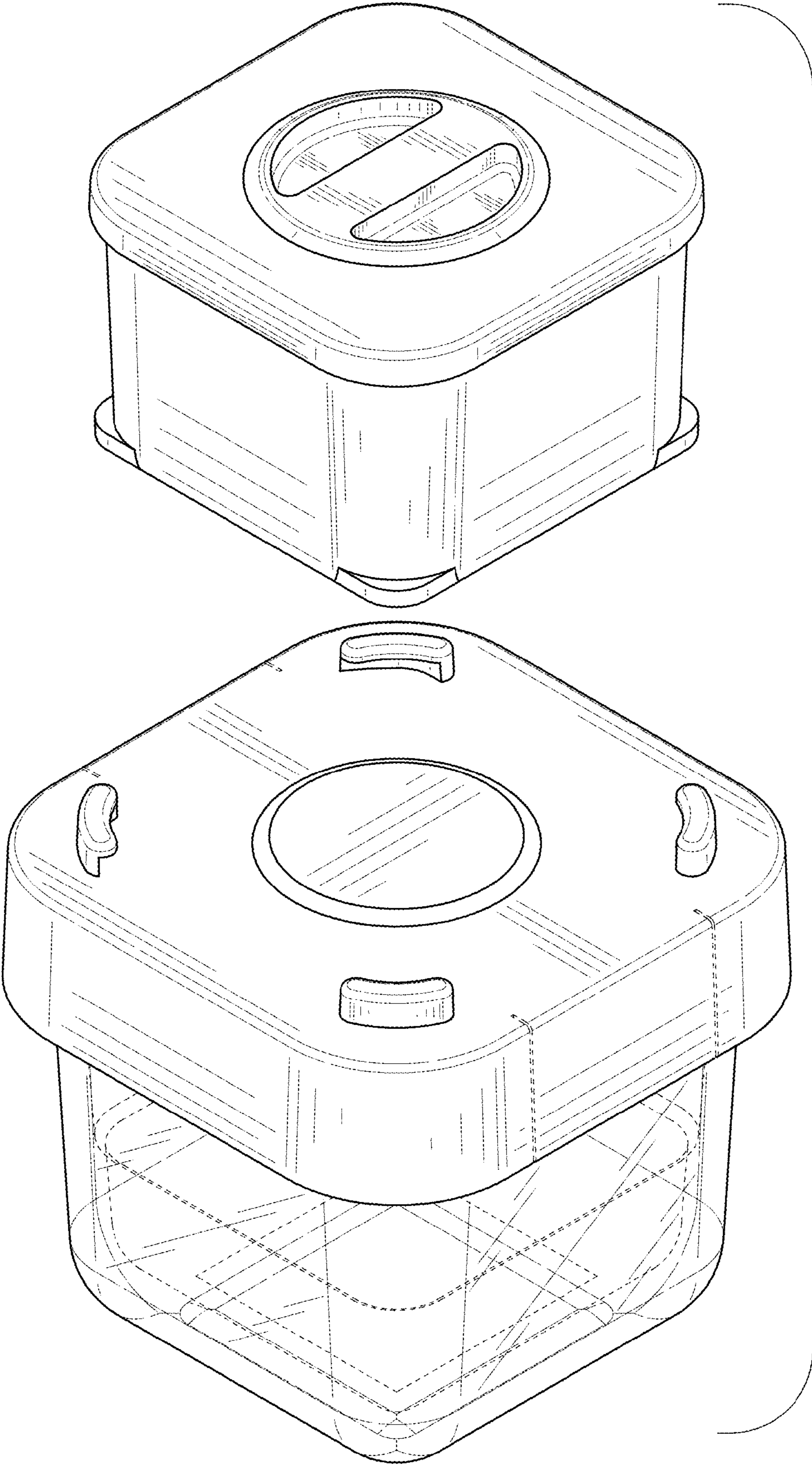


FIG. 9