



US00D953120S

(12) **United States Design Patent**
Zhang

(10) **Patent No.:** **US D953,120 S**

(45) **Date of Patent:** **** May 31, 2022**

(54) **KITCHEN UTILITY RACK**
(71) Applicant: **Jun Zhang**, Shenzhen (CN)
(72) Inventor: **Jun Zhang**, Shenzhen (CN)
(**) Term: **15 Years**
(21) Appl. No.: **29/760,826**

(22) Filed: **Dec. 4, 2020**
(51) **LOC (13) Cl.** **07-07**
(52) **U.S. Cl.**
USPC **D7/601**
(58) **Field of Classification Search**
USPC D6/514, 515, 525, 566, 675.2, 675.5,
D6/675, 678.4, 683.1, 710; D7/409, 590,
D7/601, 602, 605, 619.1, 620, 672, 675.5,
D7/678.4, 683, 704
CPC A47B 47/03; A47B 73/00; A47B 77/14;
A47B 81/00; A47B 81/02; A47B 81/04;
A47B 95/00; A47G 21/14; A47G 23/00;
A47G 23/02; A47G 23/0241; A47G
29/08; A47J 45/00; A47J 45/02; A47J
47/00; A47J 47/021; A47J 47/16
See application file for complete search history.

(56) **References Cited**
U.S. PATENT DOCUMENTS
5,232,189 A * 8/1993 Koch F16B 47/00
211/106
D433,958 S * 11/2000 Rosenberg D6/513
D612,648 S * 3/2010 Guindi D6/536
D638,662 S * 5/2011 Pyle D7/620
D798,637 S * 10/2017 Min D6/678.4

D805,581 S * 12/2017 Chang D19/75
D847,530 S * 5/2019 Tuang D6/514
D859,935 S * 9/2019 Van't Hof D7/619.1
D863,816 S * 10/2019 Tuang D6/566
D863,817 S * 10/2019 Chien D6/566
D871,704 S * 12/2019 Tuang D32/55
D875,424 S * 2/2020 Chien D6/525
D899,722 S * 10/2020 Yang D32/55
11,224,290 B1 * 1/2022 Zhang A47J 47/20

* cited by examiner

Primary Examiner — Joseph Kukella
Assistant Examiner — Darryl J Dardenne

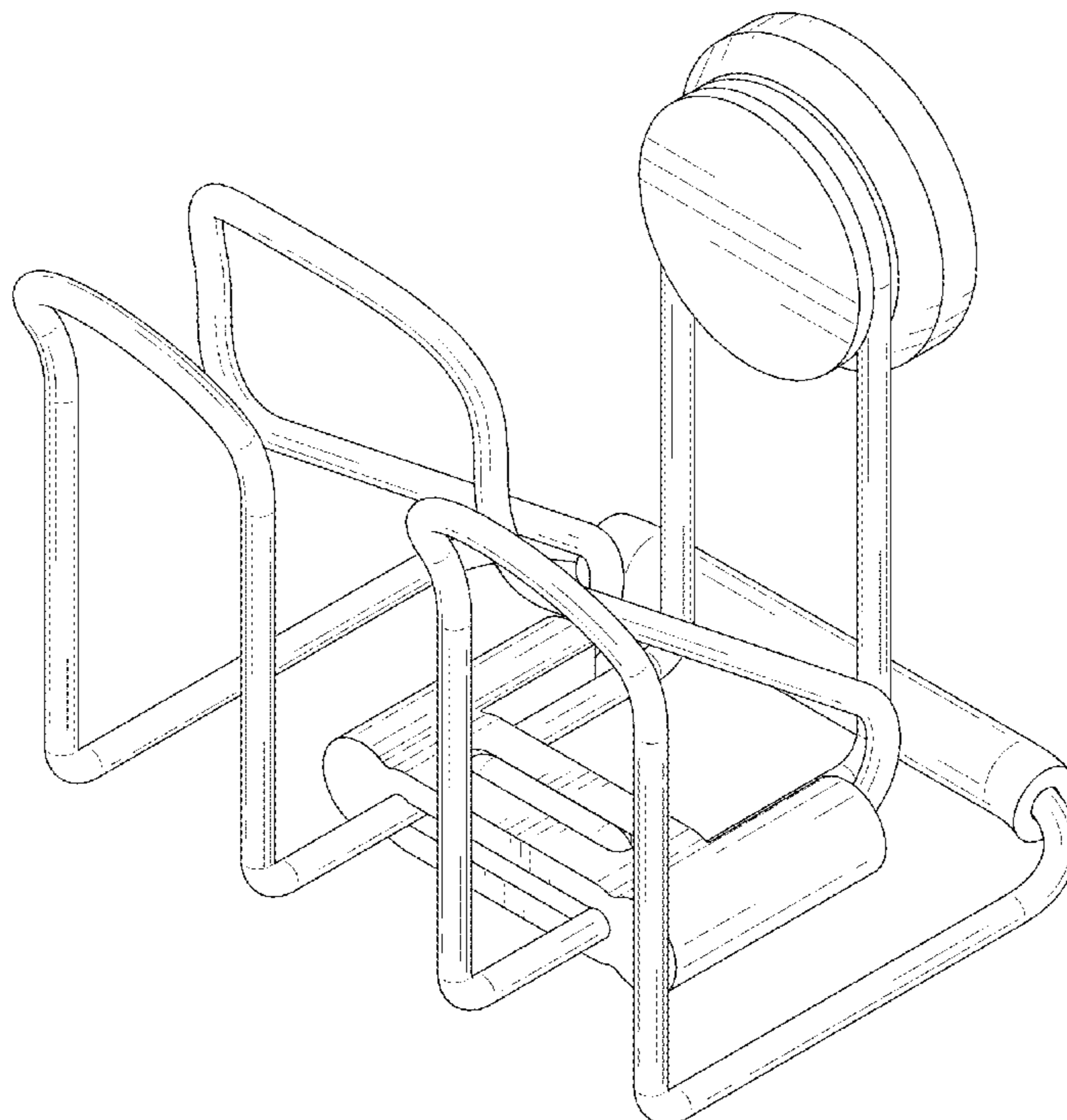
(57) **CLAIM**

The ornamental design for a kitchen utility rack, as shown and described.

DESCRIPTION

FIG. 1 is a front and top perspective view of a kitchen utility rack, showing my new design;
FIG. 2 is a front elevational view thereof;
FIG. 3 is a rear elevational view thereof;
FIG. 4 is a left side elevational view thereof;
FIG. 5 is a right side elevational view thereof;
FIG. 6 is a top plan view thereof;
FIG. 7 is a bottom plan view thereof;
FIG. 8 is a perspective view thereof, showing the kitchen utility rack in a using position; and,
FIG. 9 is another perspective view thereof, showing the kitchen utility rack in a using position.
The broken lines in FIG. 1 to FIG. 7 illustrate portions of the article that form no part of the claimed design. The broken lines shown in FIG. 8 and FIG. 9 depict environmental structure that form no part of the claimed design.

1 Claim, 9 Drawing Sheets



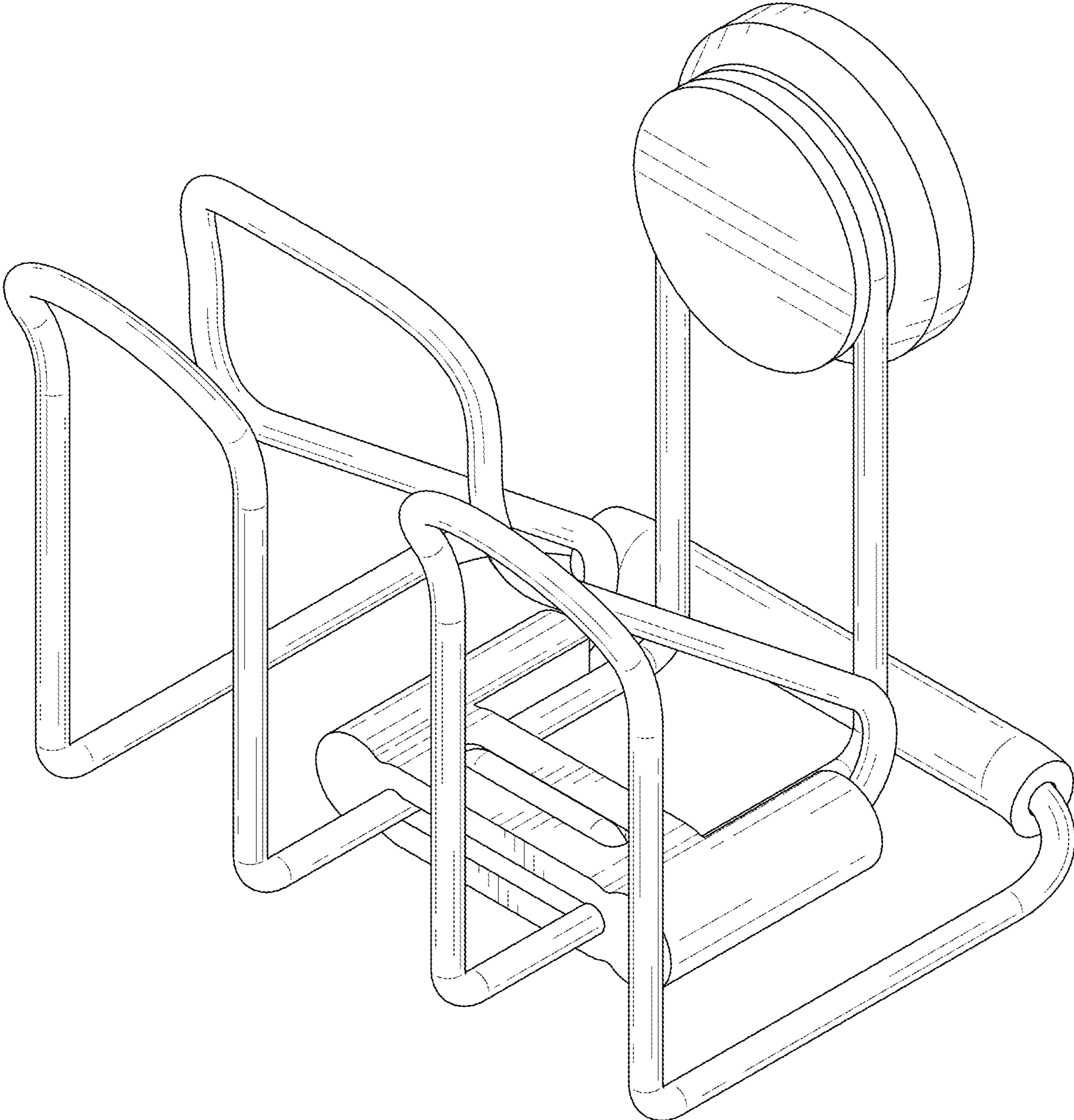


FIG. 1

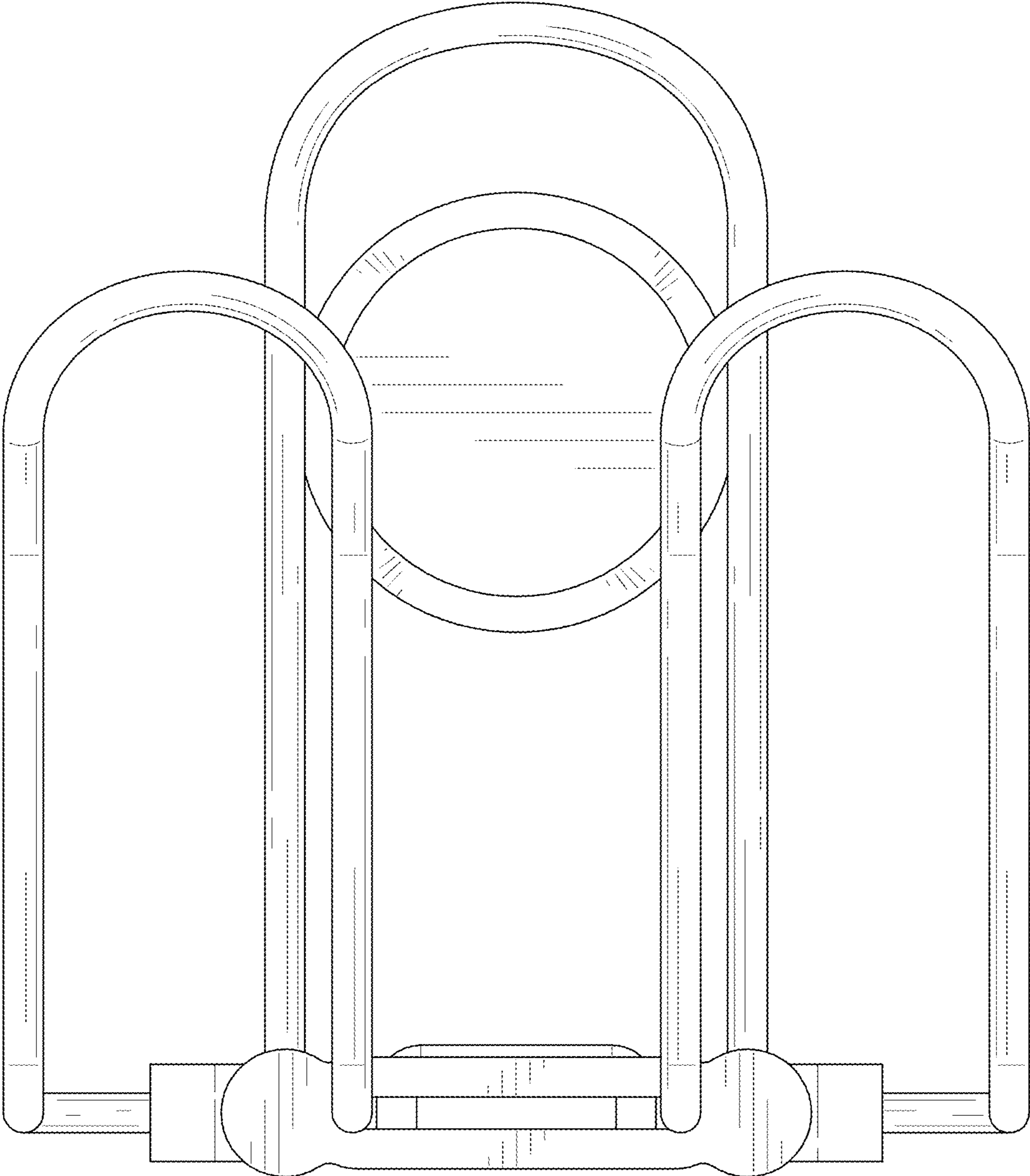


FIG. 2

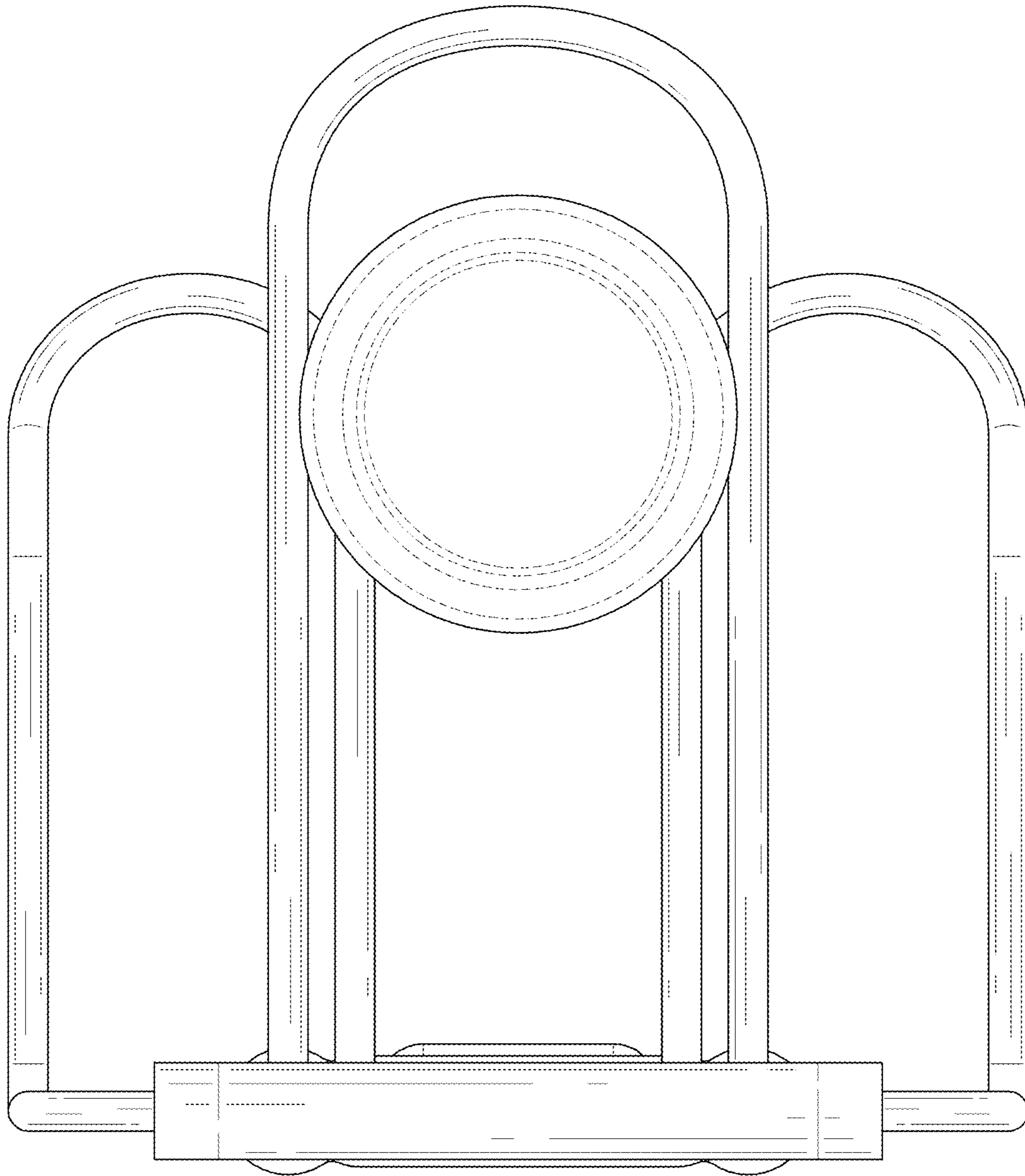


FIG. 3

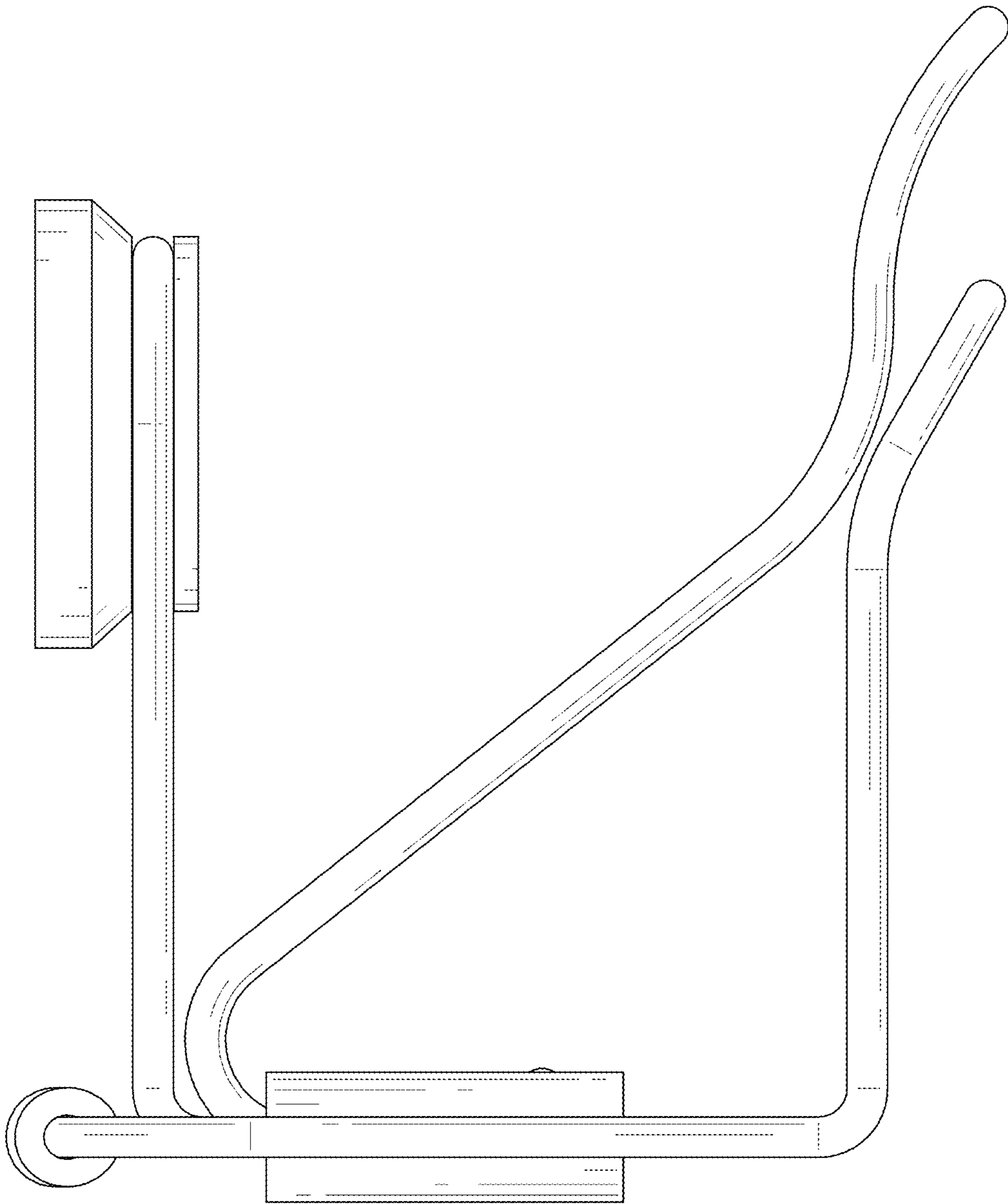


FIG. 4

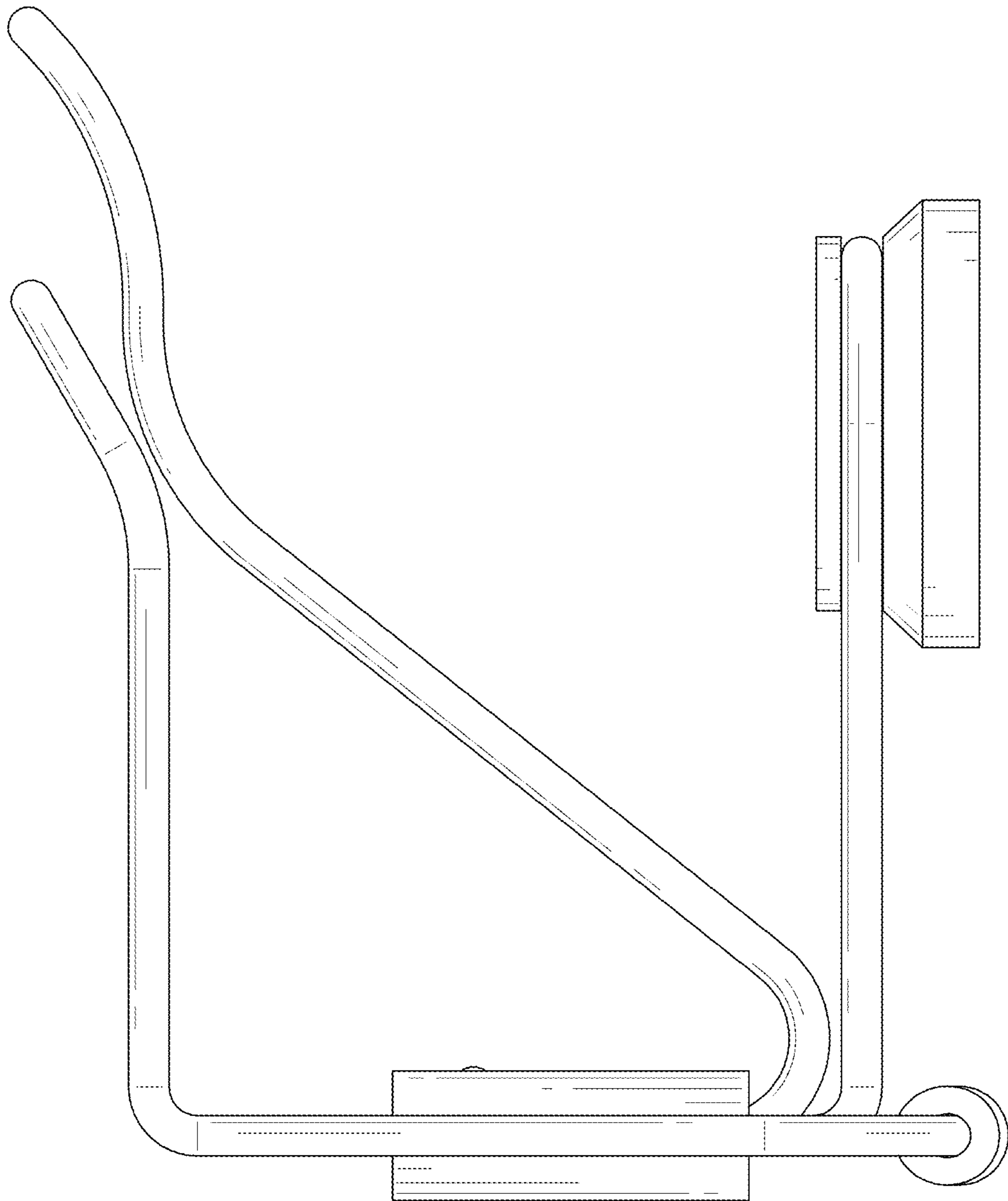


FIG. 5

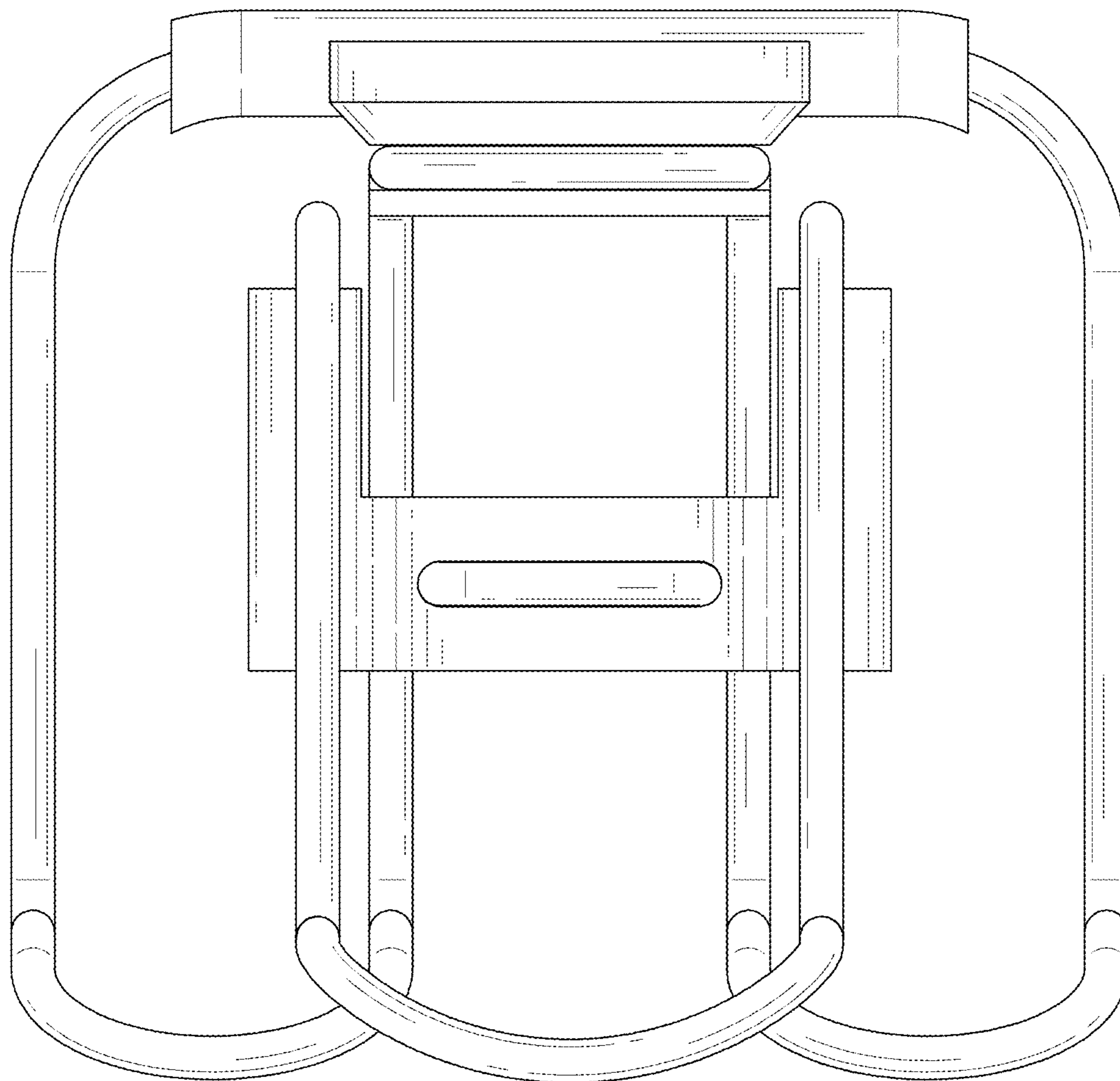


FIG. 6

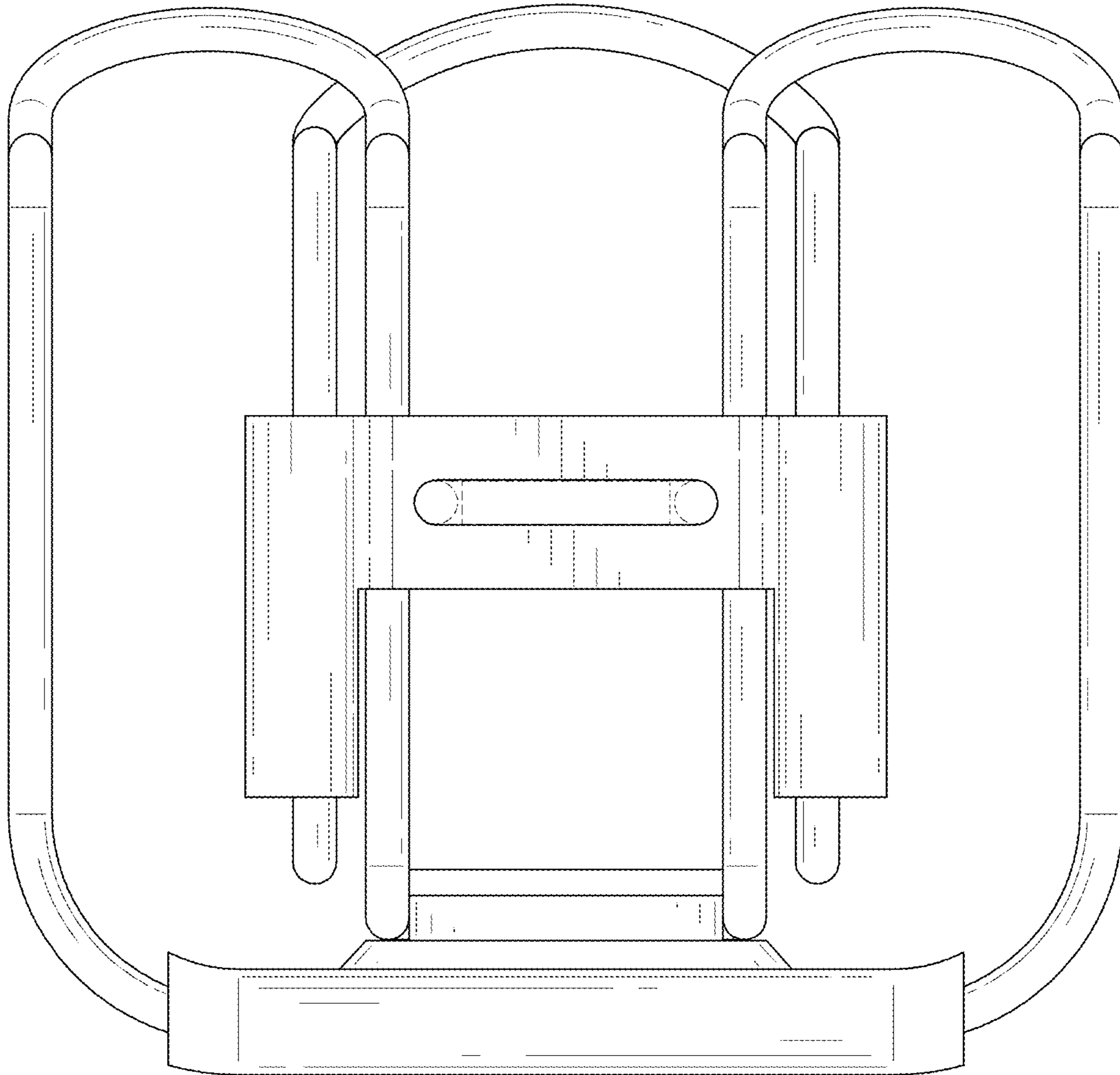


FIG. 7

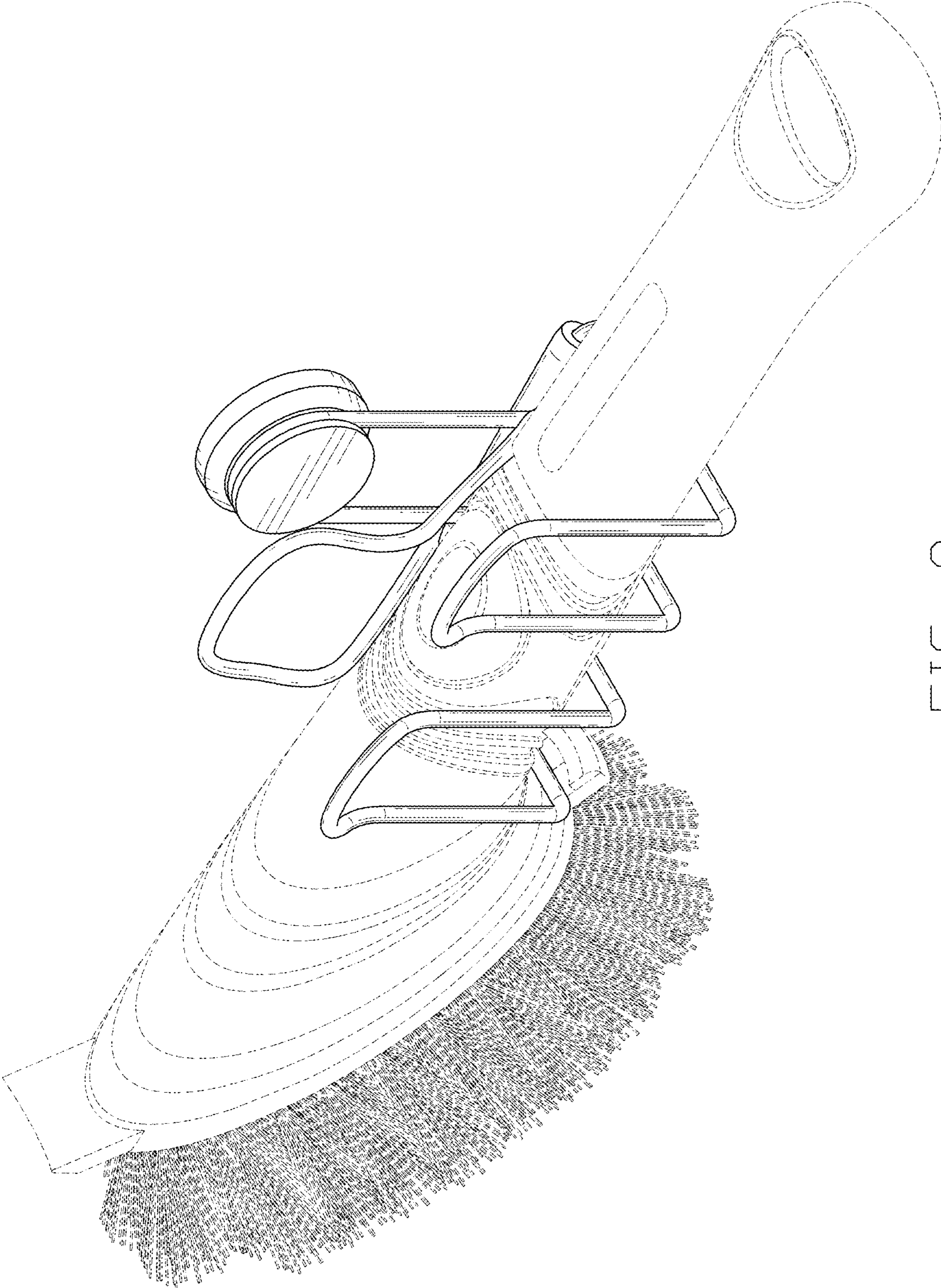


FIG. 8

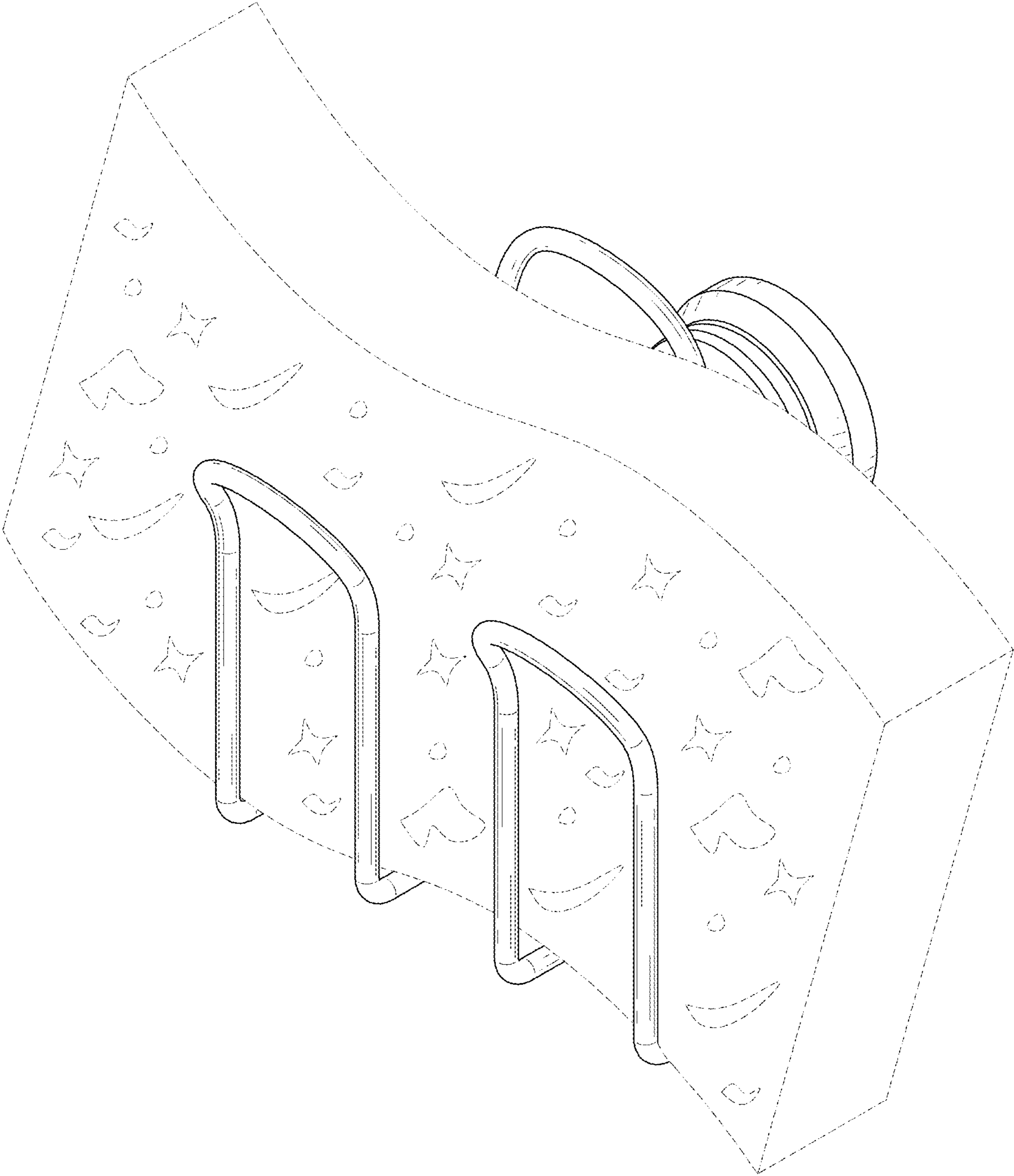


FIG. 9