



US00D953119S

(12) **United States Design Patent** (10) **Patent No.:** **US D953,119 S**
Dag et al. (45) **Date of Patent:** **** May 31, 2022**

(54) **SERVING TRAY HOUSEHOLD**

(71) Applicant: **PAPACKS SALES GmbH**, Cologne (DE)

(72) Inventors: **Tahsin Dag**, Cologne (DE); **Manuel Leibrock**, Cologne (DE)

(**) Term: **15 Years**

(21) Appl. No.: **35/511,364**

(22) Filed: **Aug. 11, 2020**

(80) **Hague Agreement Data**

Int. Filing Date: **Aug. 11, 2020**

Int. Reg. No.: **DM/210056**

Int. Reg. Date: **Aug. 11, 2020**

Int. Reg. Pub. Date: **Feb. 12, 2021**

(51) **LOC (13) Cl.** **07-01**

(52) **U.S. Cl.**
USPC **D7/553.7**

(58) **Field of Classification Search**

USPC D7/396.4, 501, 505, 571, 538, 540,
D7/541-543, 545, 546, 549, 552.1, 553,
D7/553.1-553.8, 554.3; D9/424, 432,
D9/716, 719, 738-740, 744-745, 756,
D9/759-760, 761
CPC A47G 23/06; A47G 19/065; A47G 1/0605;
B65D 1/36; B65D 2543/00296; B65D
21/0222; B65D 2543/00027; B65D
21/0233

See application file for complete search history.

(56) **References Cited**

U.S. PATENT DOCUMENTS

3,110,397	A *	11/1963	Peck	A47G 23/06 224/406
D240,493	S *	7/1976	Musser	D7/505
D328,406	S *	8/1992	Hammond	D7/553.6
D352,202	S *	11/1994	Campbell	D7/546
D352,203	S *	11/1994	Campbell	D7/546
D376,953	S *	12/1996	Dunn	D7/553.3
D751,865	S *	3/2016	Harris	D7/553.2
2009/0194543	A1 *	8/2009	Farmer	A47G 19/06 220/575

* cited by examiner

Primary Examiner — Michael A. Pratt

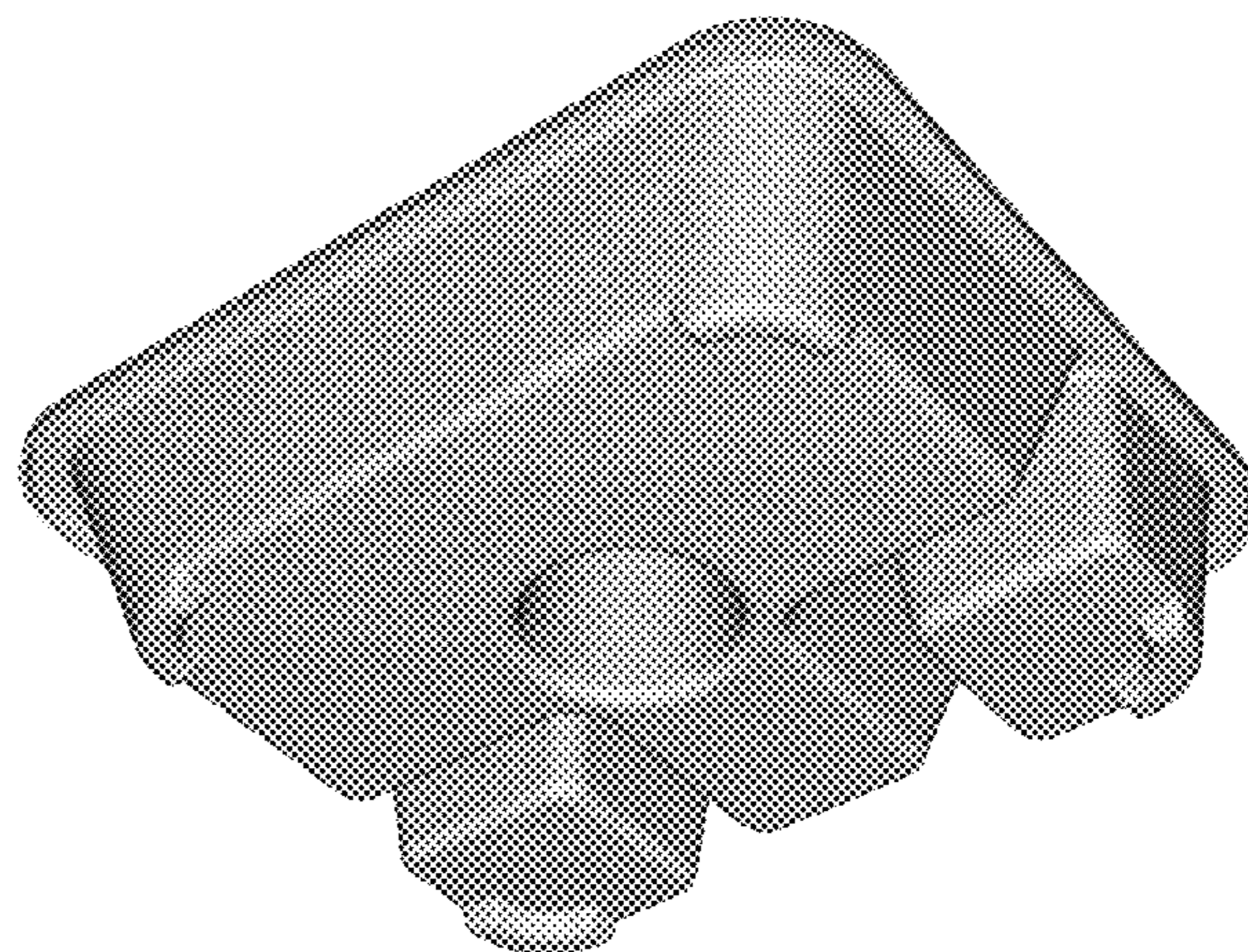
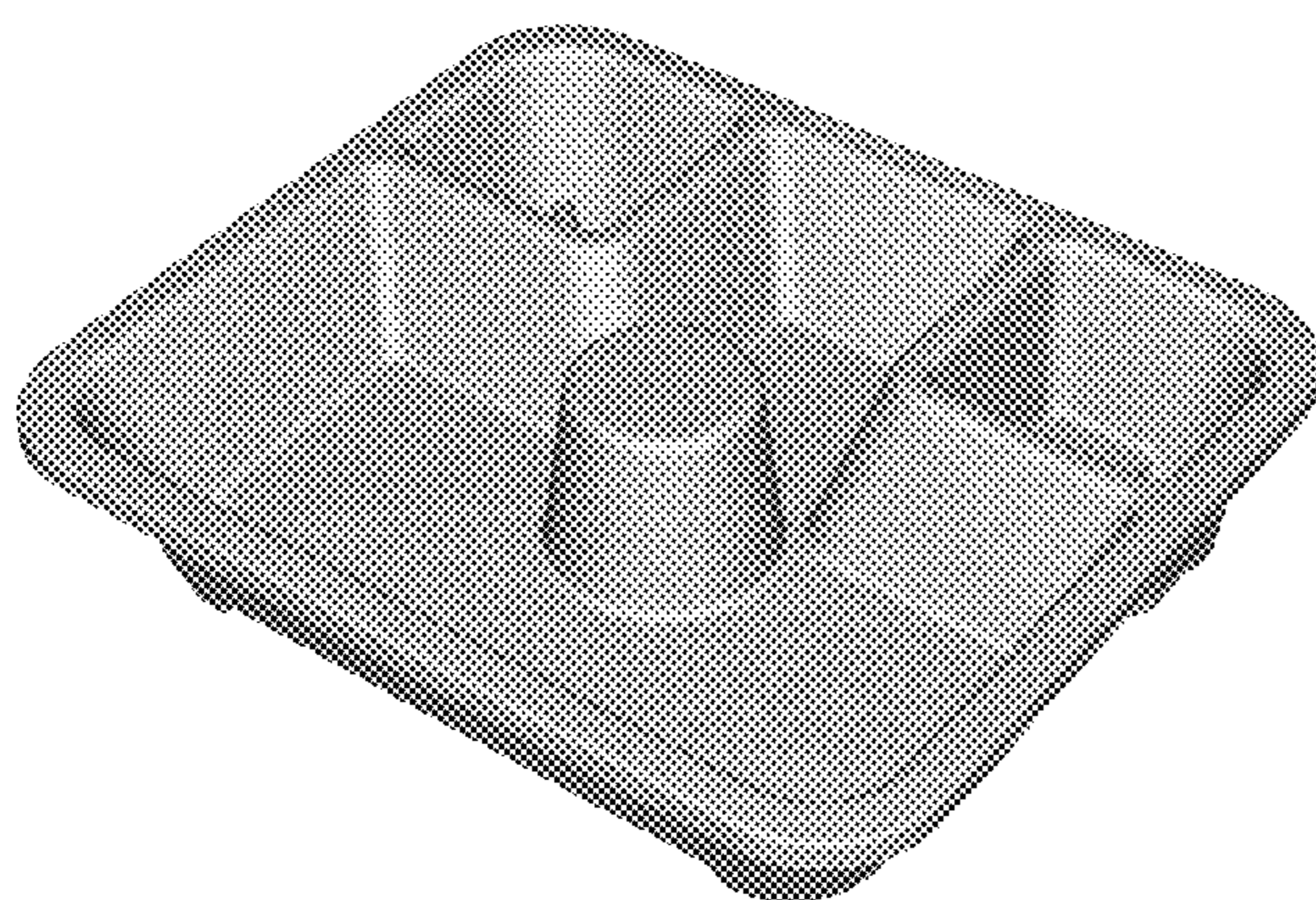
(57) **CLAIM**

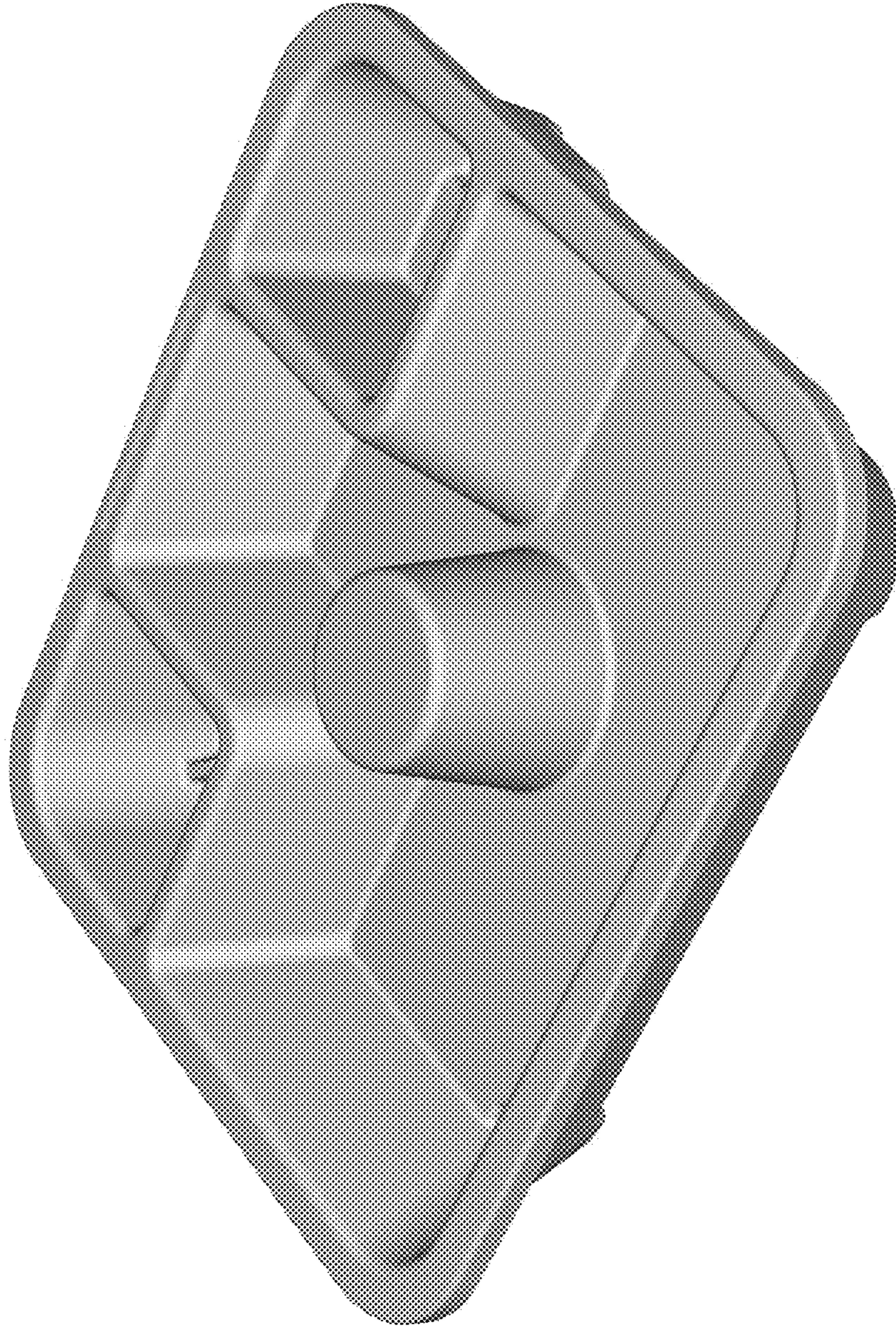
The ornamental design for a serving tray household, as shown and described.

DESCRIPTION

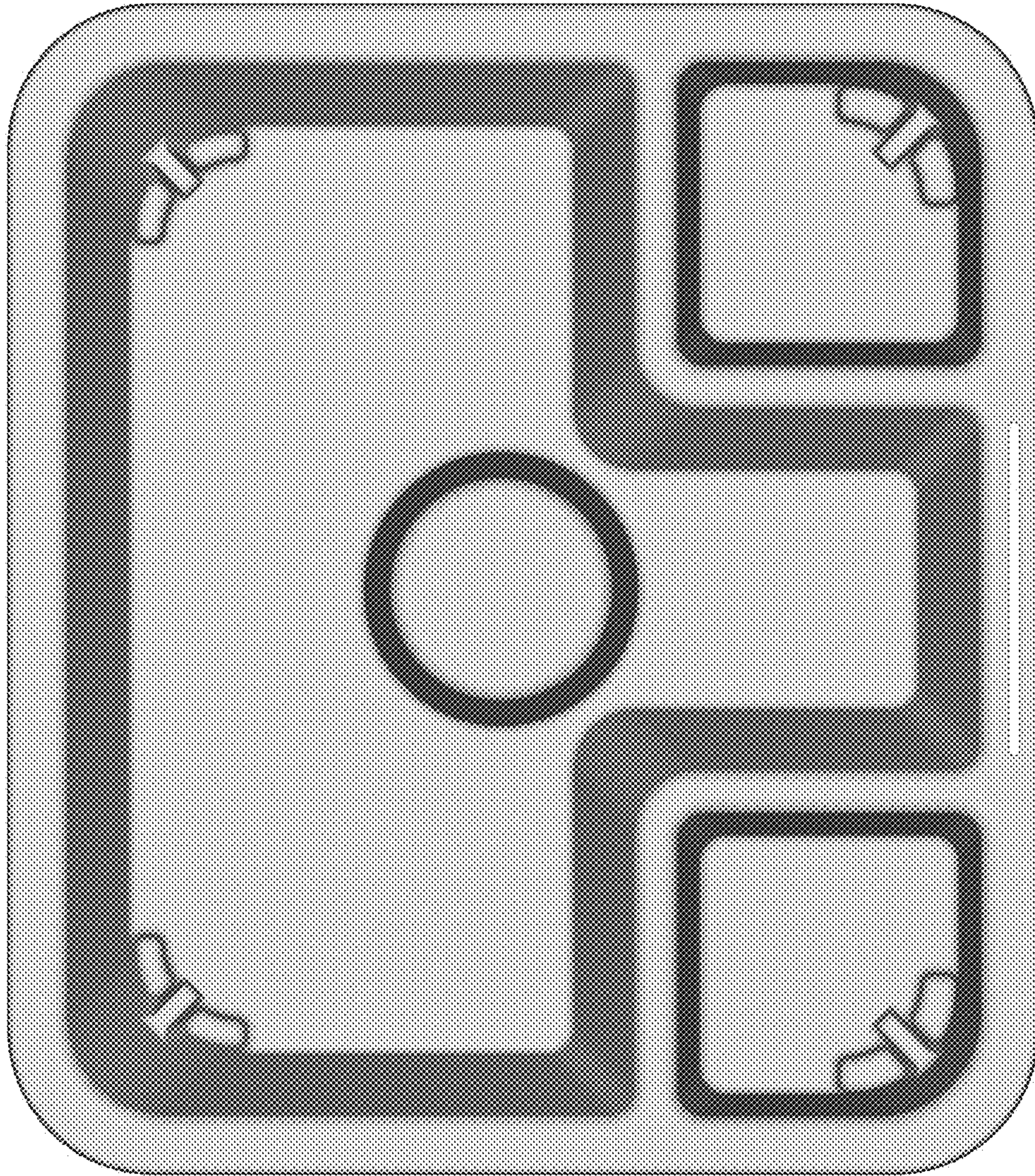
- 1. Serving tray household
- 1.1 : Perspective
- 1.2 : Top
- 1.3 : Bottom
- 1.4 : Right
- 1.5 : Back
- 1.6 : Front
- 1.7 : Left
- 1.8 : Perspective

1 Claim, 8 Drawing Sheets

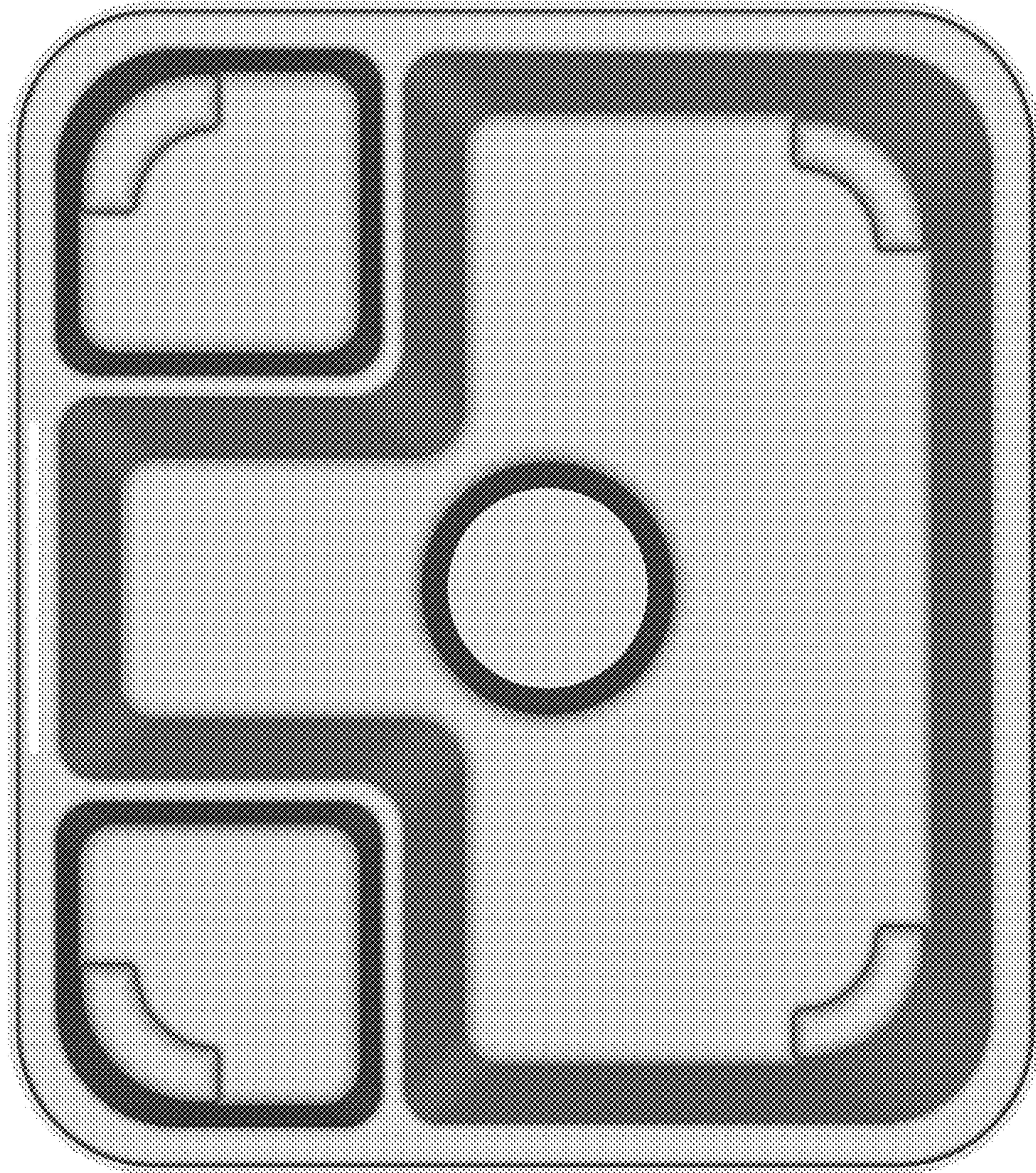




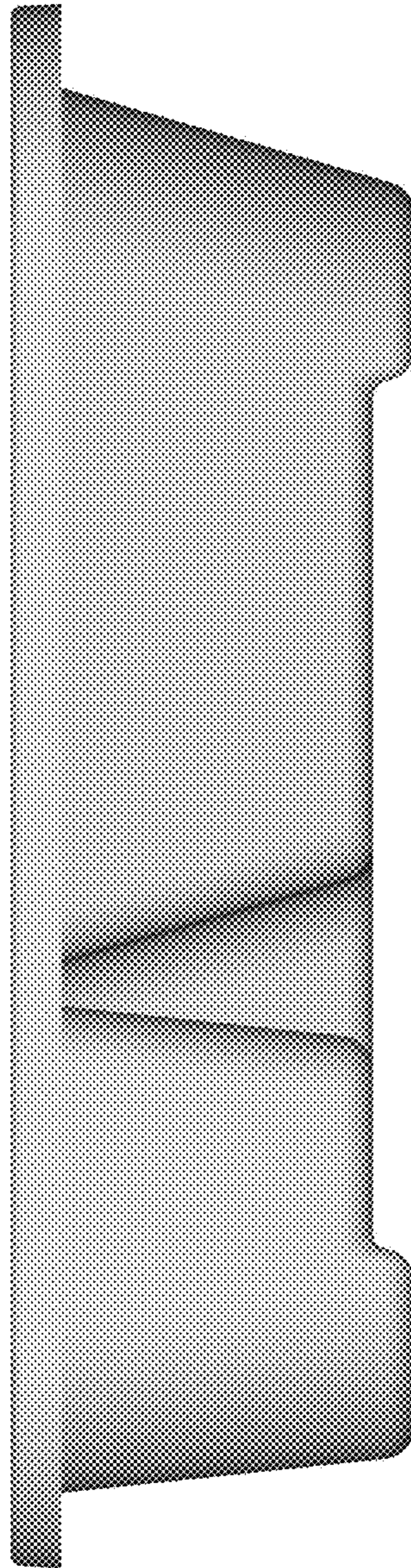
1.1



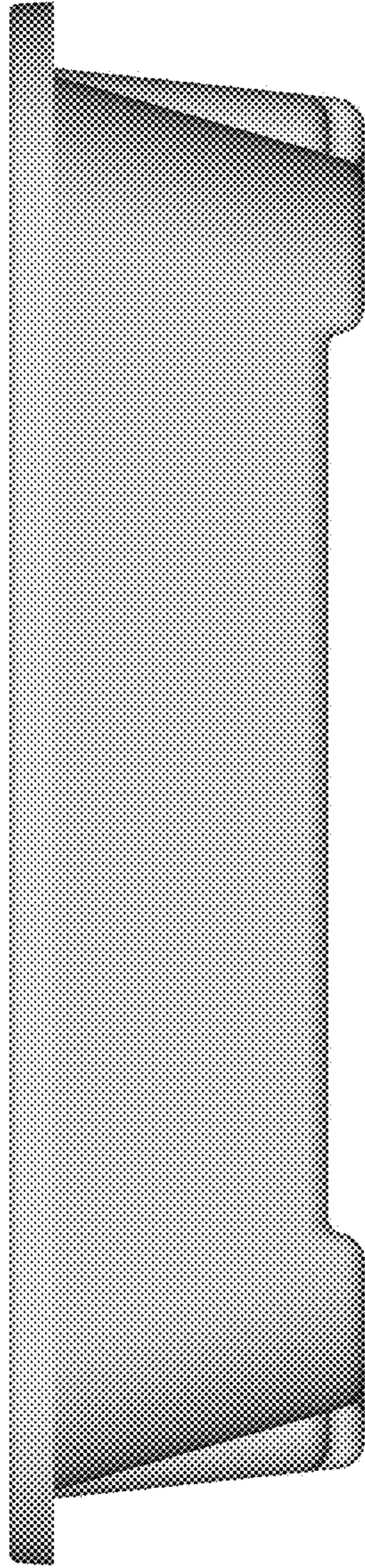
1.2



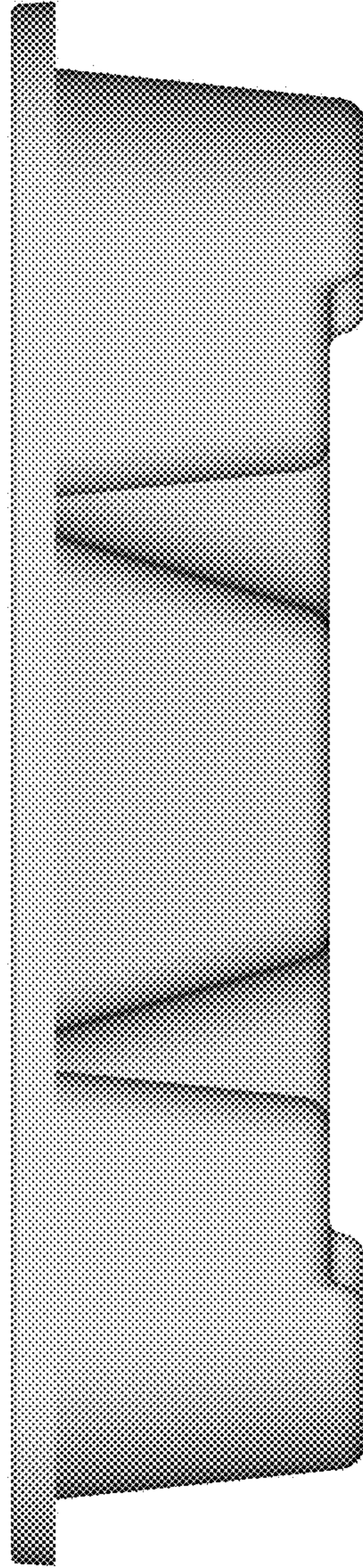
1.3



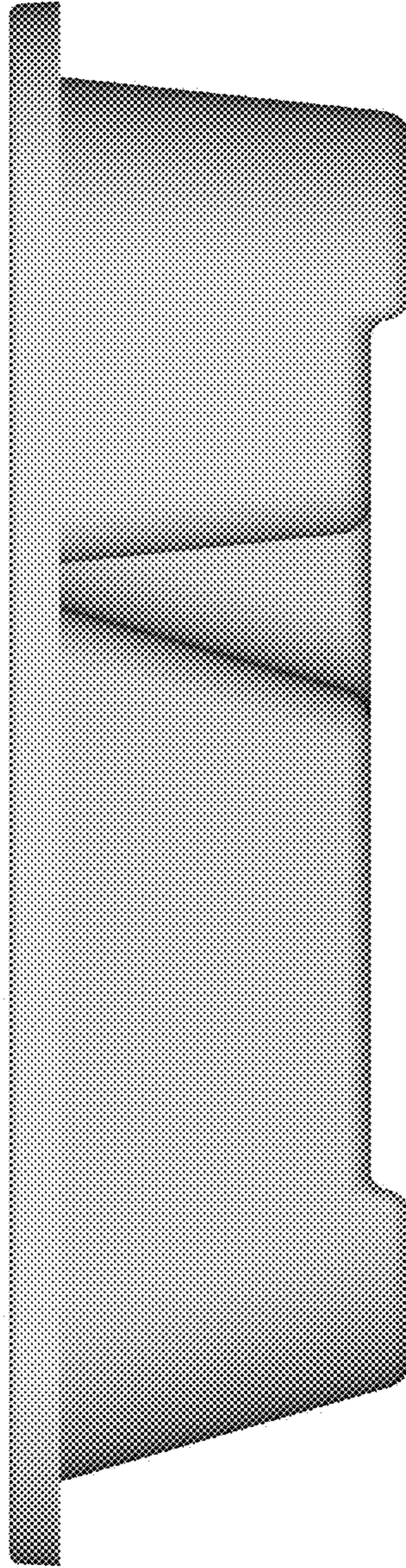
1.4



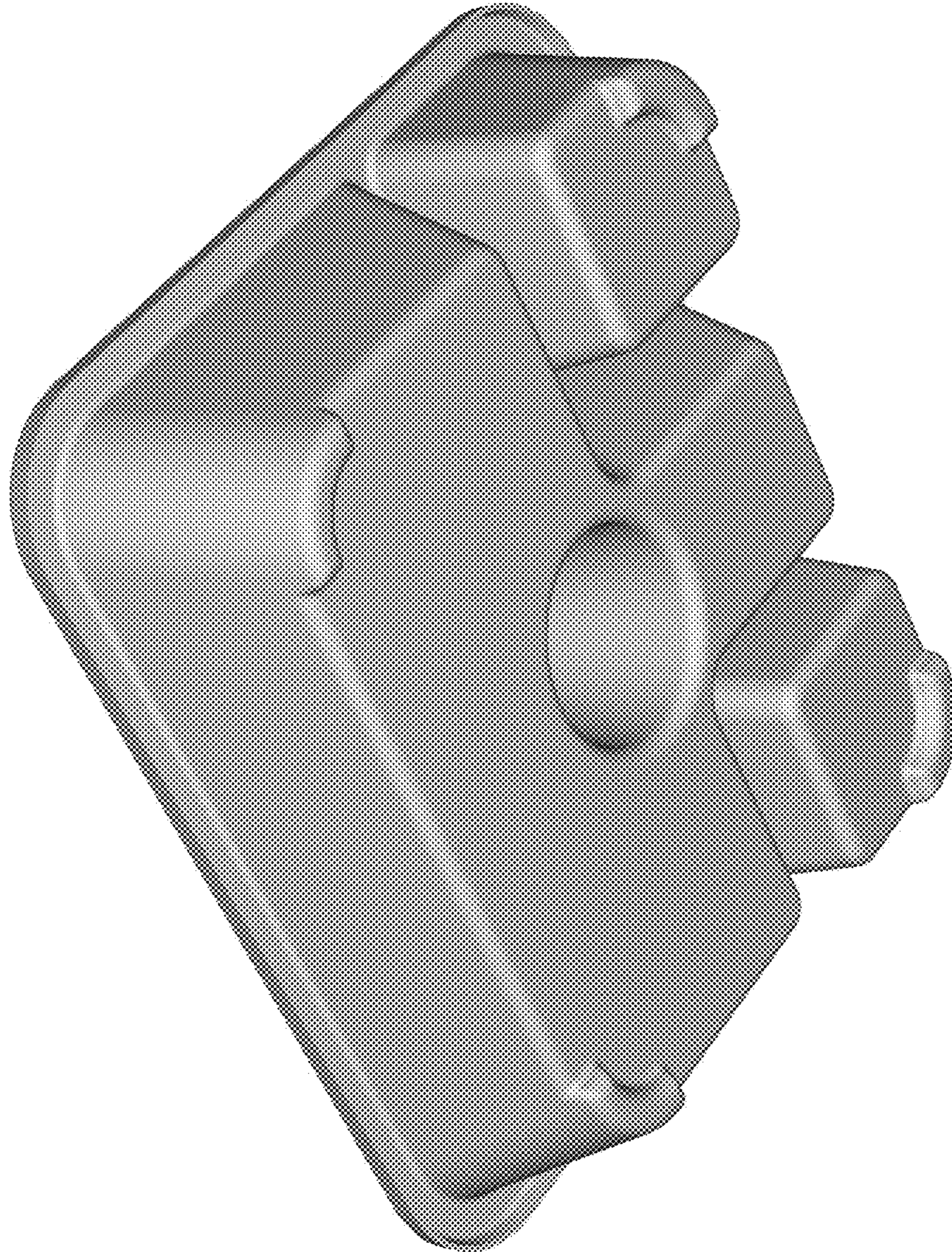
1.5



1.6



1.7



1.8