



US00D953118S

(12) **United States Design Patent** (10) **Patent No.:** **US D953,118 S**
Carter (45) **Date of Patent:** **** May 31, 2022**

- (54) **STACKABLE MUG**
- (71) Applicant: **Brendan John Carter**, Belleville, IL (US)
- (72) Inventor: **Brendan John Carter**, Belleville, IL (US)
- (**) Term: **15 Years**
- (21) Appl. No.: **29/726,342**
- (22) Filed: **Mar. 2, 2020**
- (51) **LOC (13) Cl.** **07-01**
- (52) **U.S. Cl.**
USPC **D7/533**; D7/509
- (58) **Field of Classification Search**
USPC D7/507, 509, 510, 511, 523, 531, 532, D7/392.1, 396.2, 534, 536; D9/449, 435, D9/436, 440, 450; D3/202
CPC A47G 19/2288; A47G 19/22; A47G 19/2205; A47G 19/2211; A47G 19/2216; A47G 19/2222; A47J 31/14; A47J 31/005
See application file for complete search history.

- D476,849 S * 7/2003 Randolph D7/510
 - D555,428 S * 11/2007 Tulett D7/510
 - D642,020 S * 7/2011 Fu D7/533
 - D685,226 S * 7/2013 Aylward D7/533
 - 9,687,094 B2 6/2017 Farmer et al.
 - D808,727 S * 1/2018 Bo D7/532
- (Continued)

OTHER PUBLICATIONS

Zhuilu https://www.amazon.com/dp/B095S7MBP4/ref=cm_sw_em_r_mt_dp_V6BZ0KAKMQZ50499DJV2?_encoding=UTF8&psc=1
(Year: 2021).*

(Continued)

Primary Examiner — Jae Liang
(74) *Attorney, Agent, or Firm* — Mark C. Johnson; Johnson Dalal

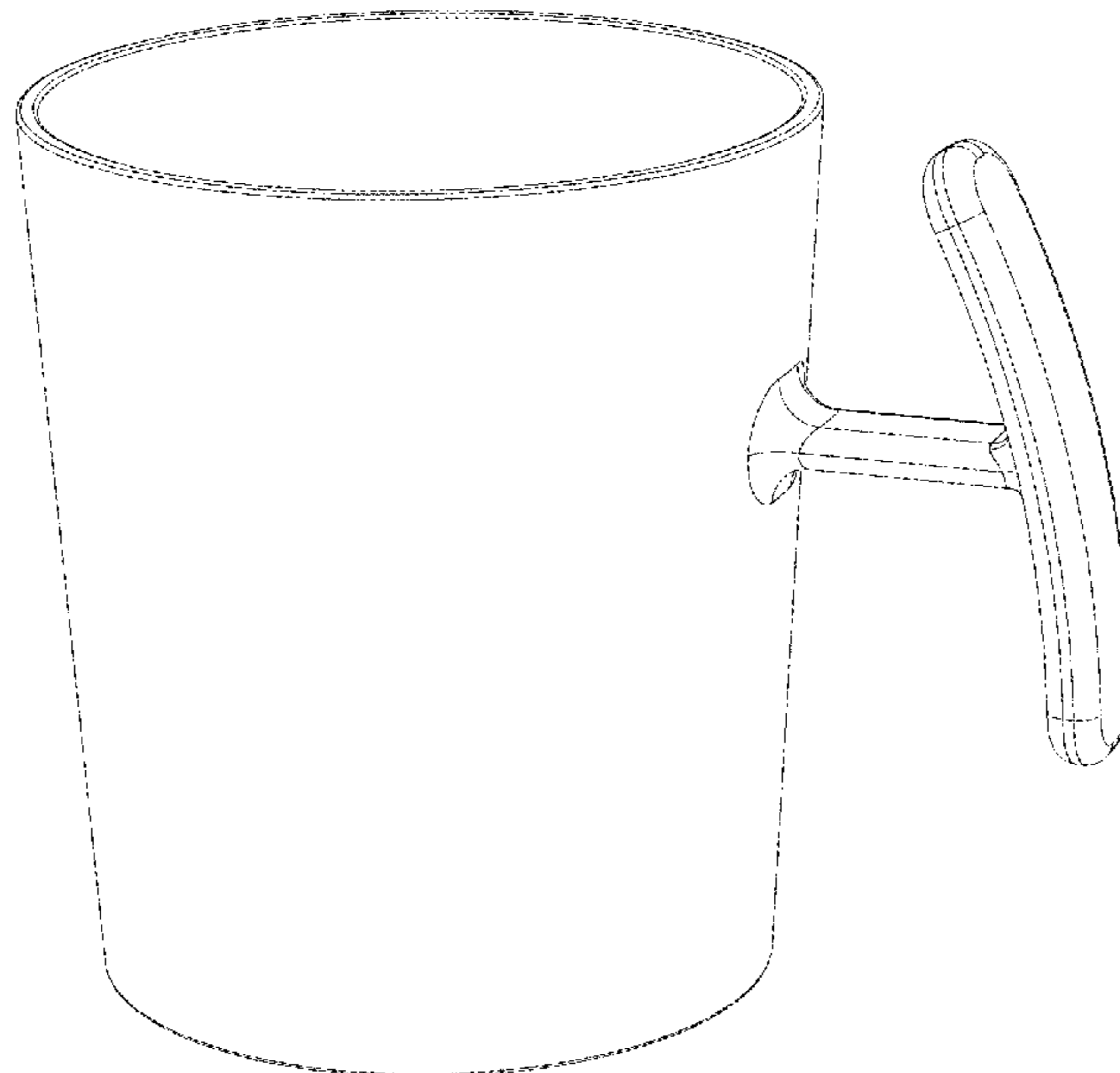
(57) **CLAIM**
The ornamental design for a stackable mug, as shown and described.

DESCRIPTION

FIG. 1 is a perspective view of a stackable mug in accordance with the present invention;
FIG. 2 is a top plan view of the stackable mug in FIG. 1;
FIG. 3 is an elevational left-side view of the stackable mug in FIG. 1;
FIG. 4 is an elevational front view of the stackable mug in FIG. 1;
FIG. 5 is an elevational right-side view of the stackable mug in FIG. 1; and
FIG. 6 is an elevational rear view of the stackable mug in FIG. 1; and,
FIG. 7 is a bottom plan view of the stackable mug in FIG. 1.
The broken lines in the drawings depict portions of the stackable mug that form no part of the claimed design.

1 Claim, 7 Drawing Sheets

- (56) **References Cited**
U.S. PATENT DOCUMENTS
- 2,803,375 A 8/1957 Meshberg
- 2,885,134 A 5/1959 Cohen
- 2,932,437 A 4/1960 Wilcox
- D197,407 S * 1/1964 Laughlin D7/533
- 3,139,213 A 6/1964 Edwards
- D199,749 S * 12/1964 Schnur D7/533
- 3,381,849 A * 5/1968 Karl A47G 19/23
206/520
- 3,700,146 A * 10/1972 Cousins A47G 19/23
222/572
- 3,810,470 A 5/1974 Von Gunten
- 4,136,022 A 1/1979 Hutzler et al.
- D316,209 S * 4/1991 Lackovic D7/533
- 5,219,419 A 6/1993 Prothe
- D394,187 S * 5/1998 Orrico D7/509



(56)

References Cited

U.S. PATENT DOCUMENTS

2014/0312067 A1 10/2014 Loomis
2020/0146479 A1* 5/2020 Verbeeck A47G 23/02

OTHER PUBLICATIONS

DDH Bags https://www.amazon.com/dp/B08Y91H2HH/ref=cm_sw_em_r_mt_dp_TR3132BHSBG5GDH44YVE (Year: 2021).*

* cited by examiner

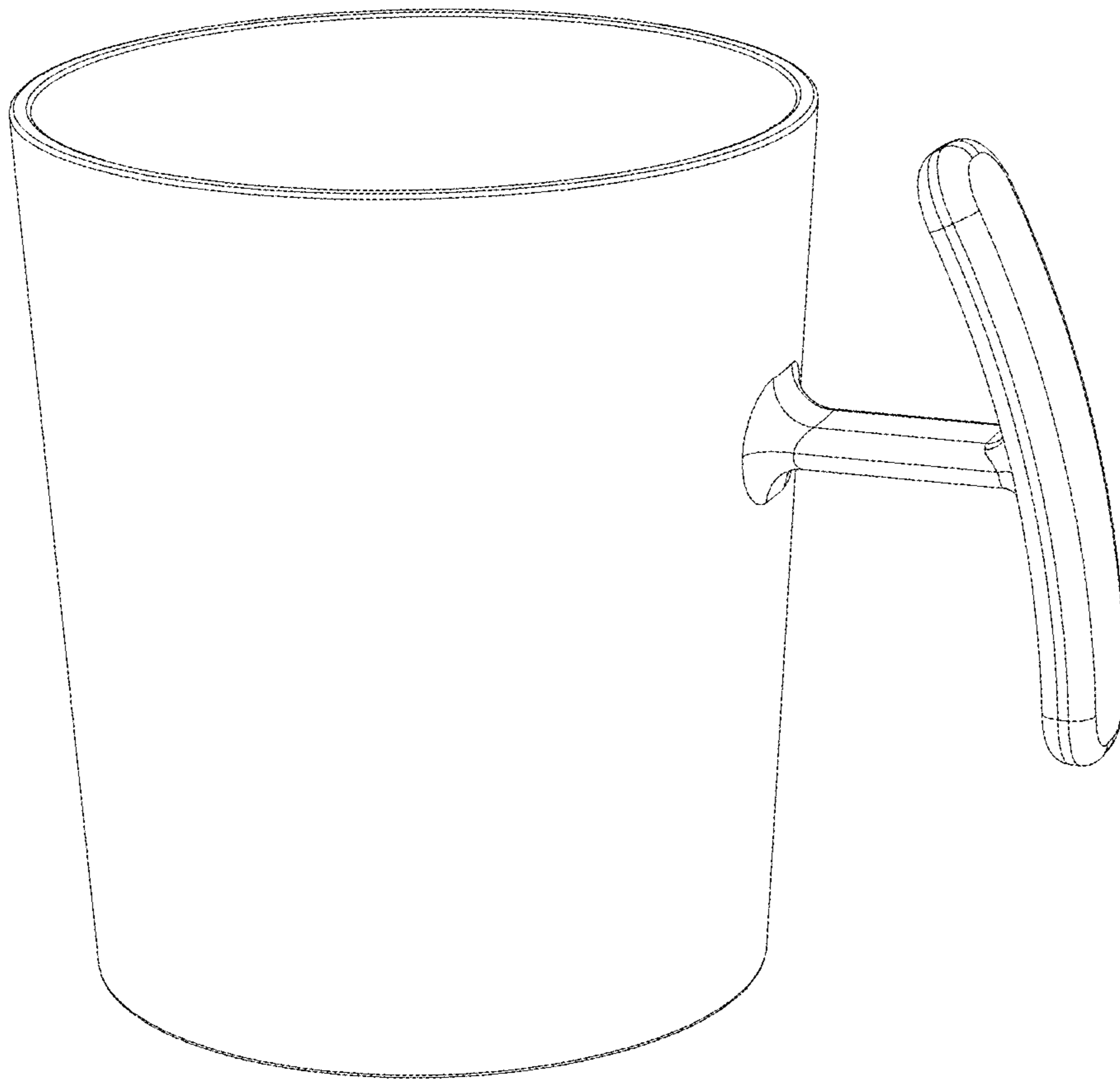


FIG 1

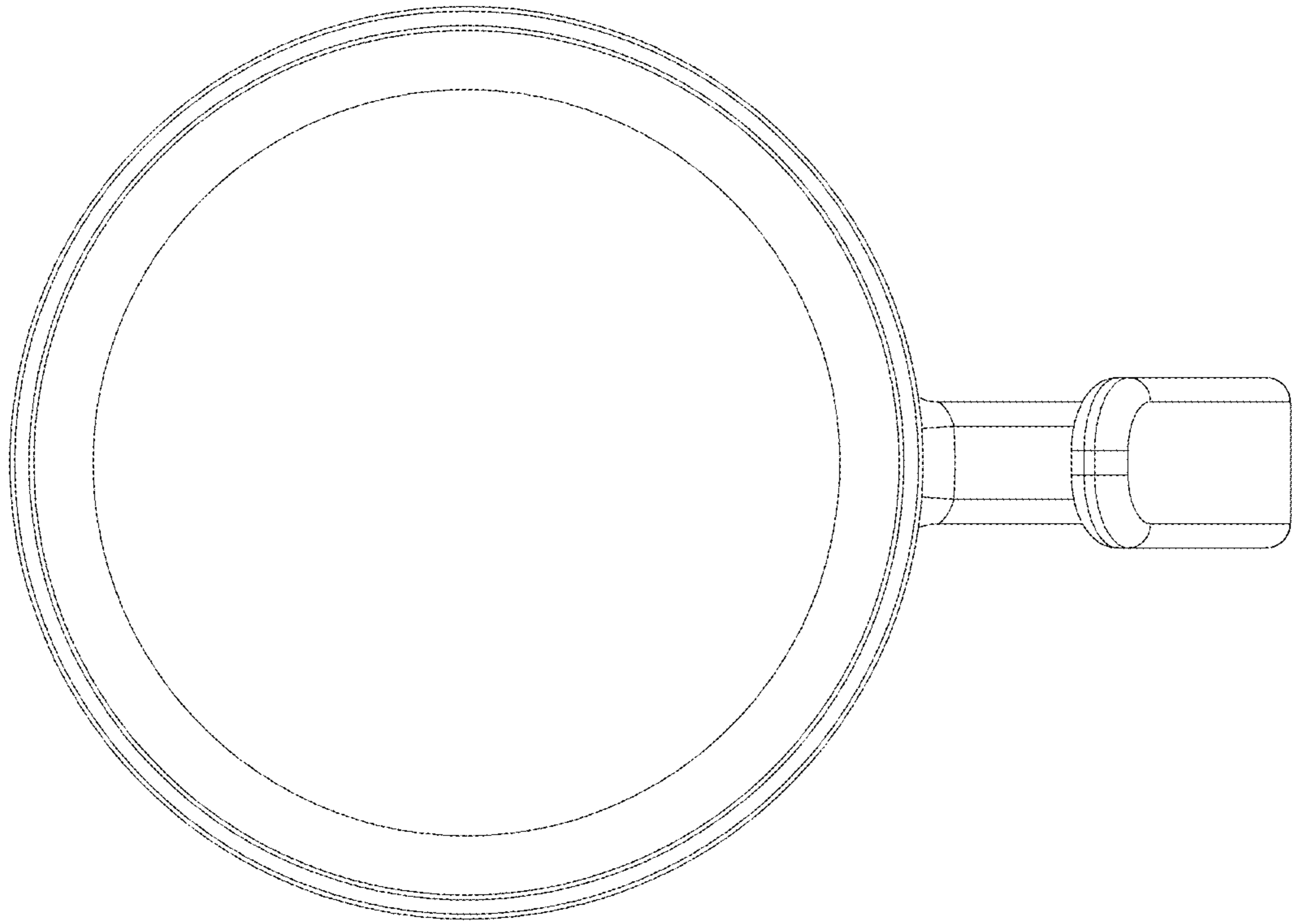


FIG 2

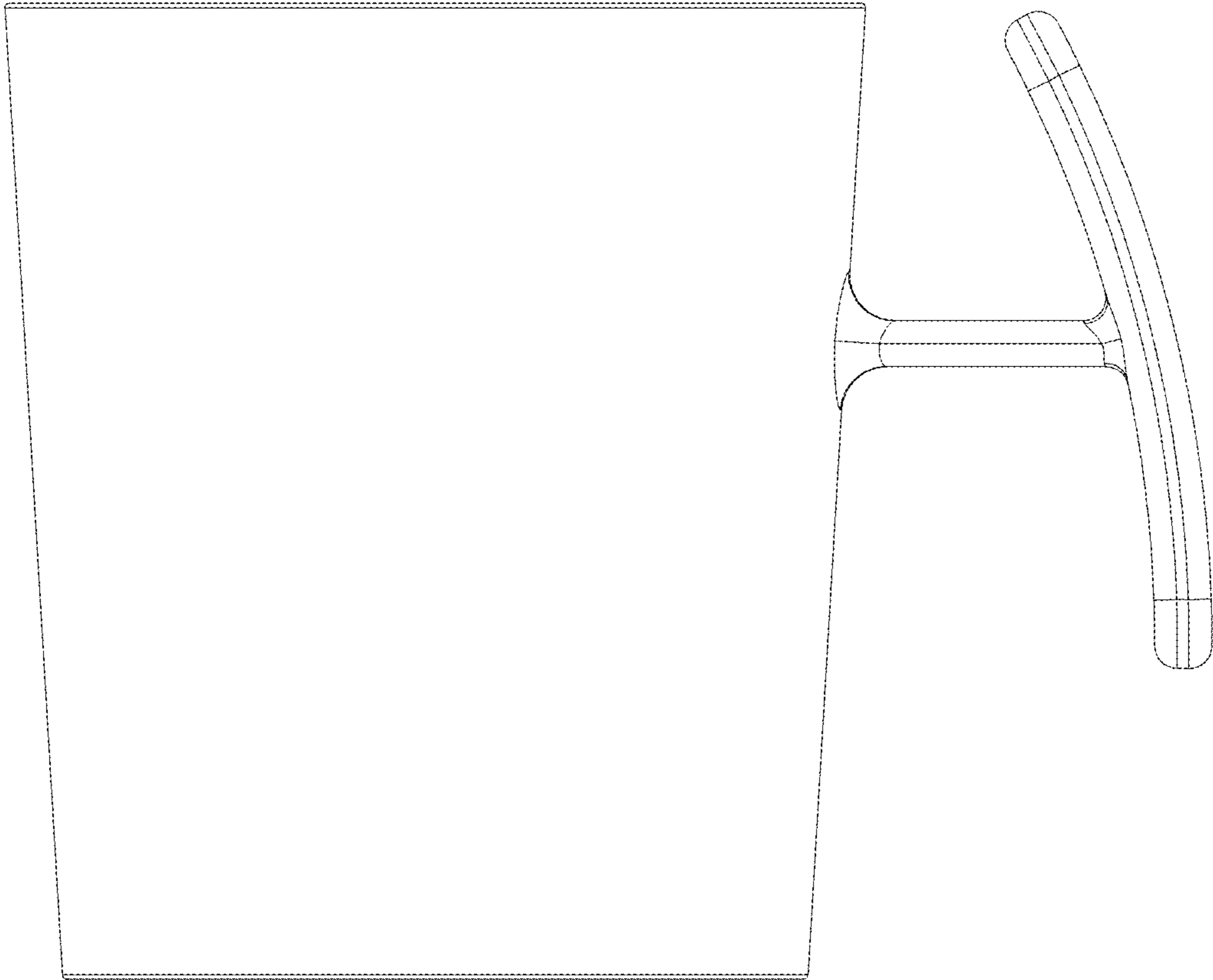


FIG 3

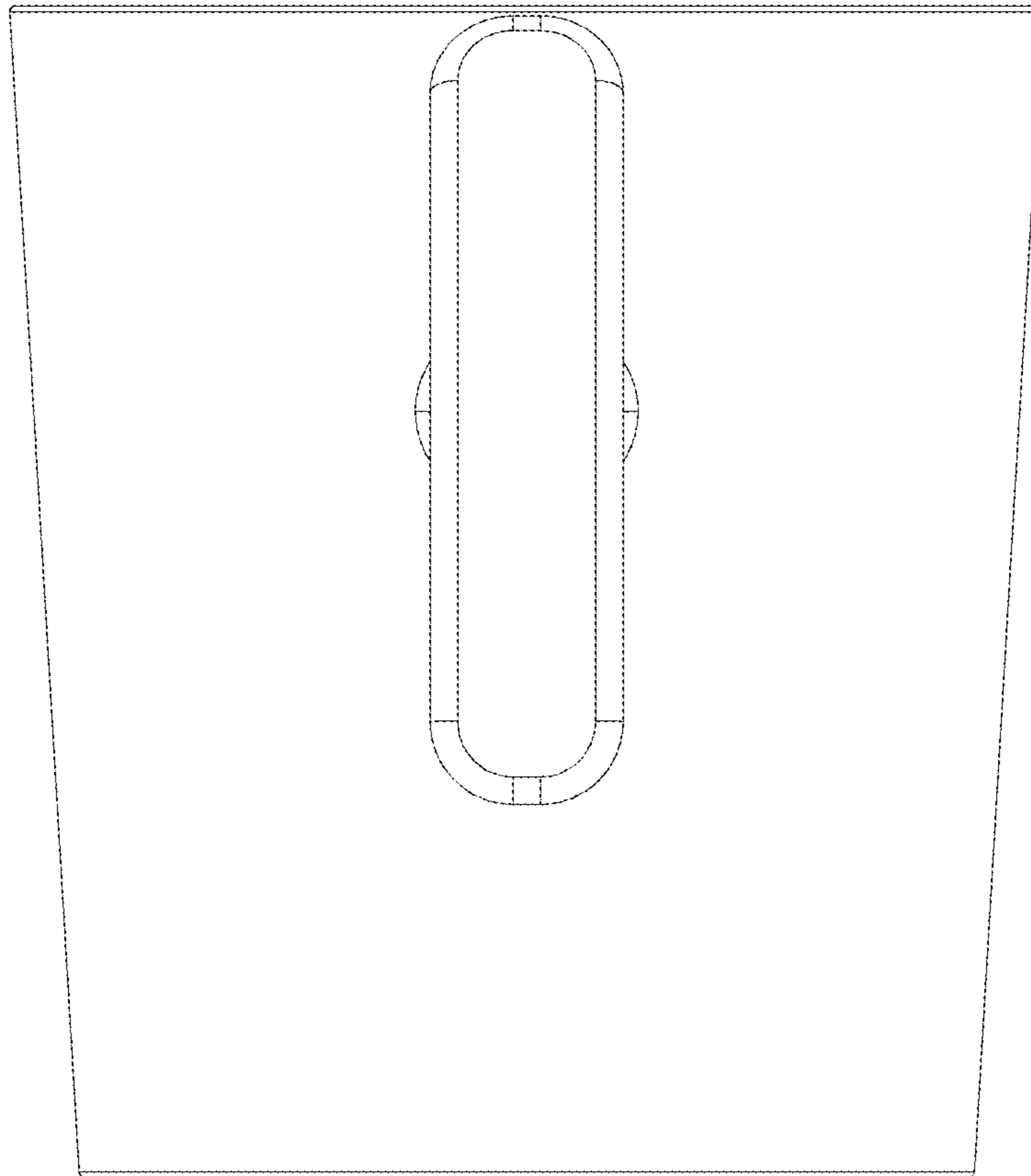


FIG 4

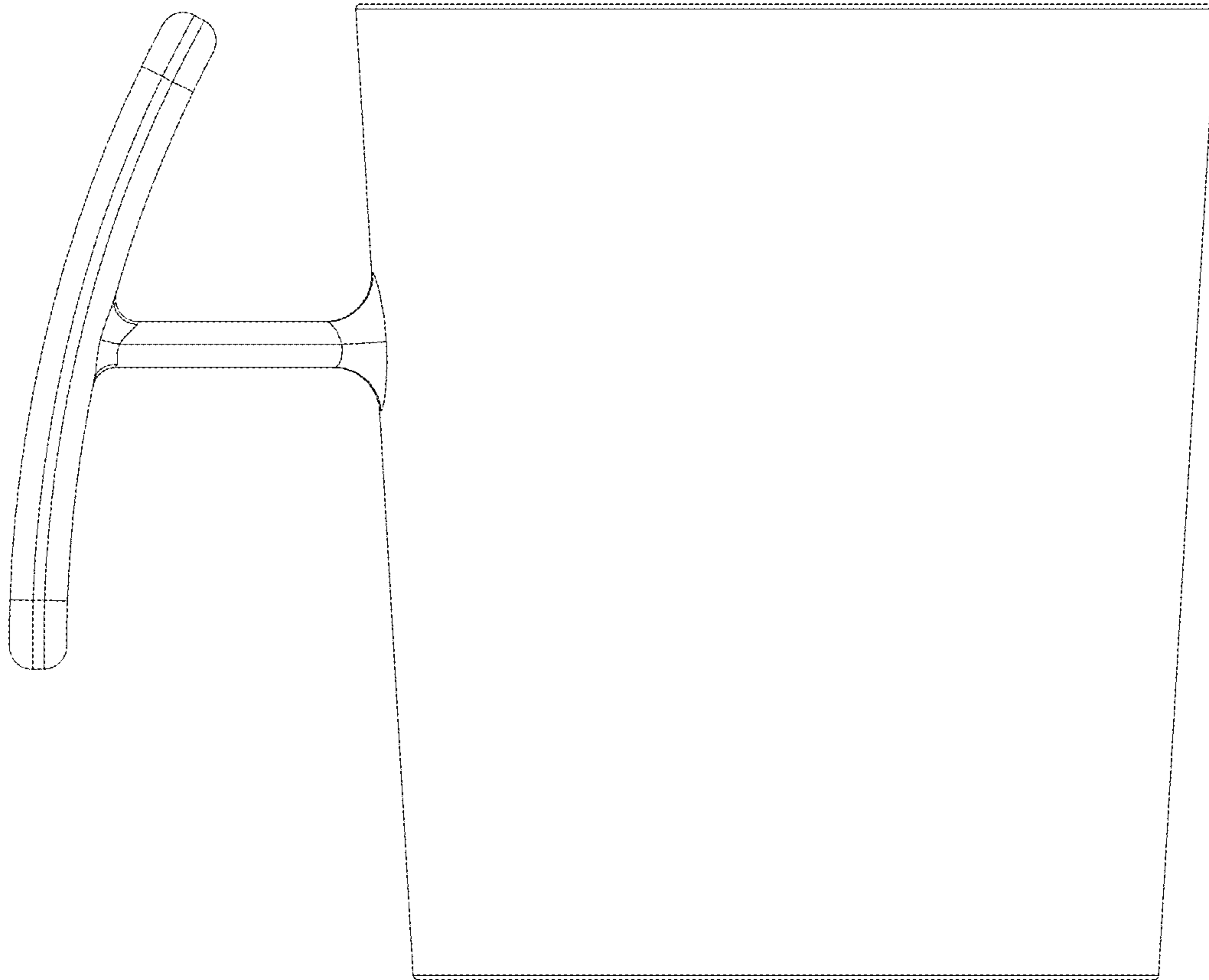


FIG 5

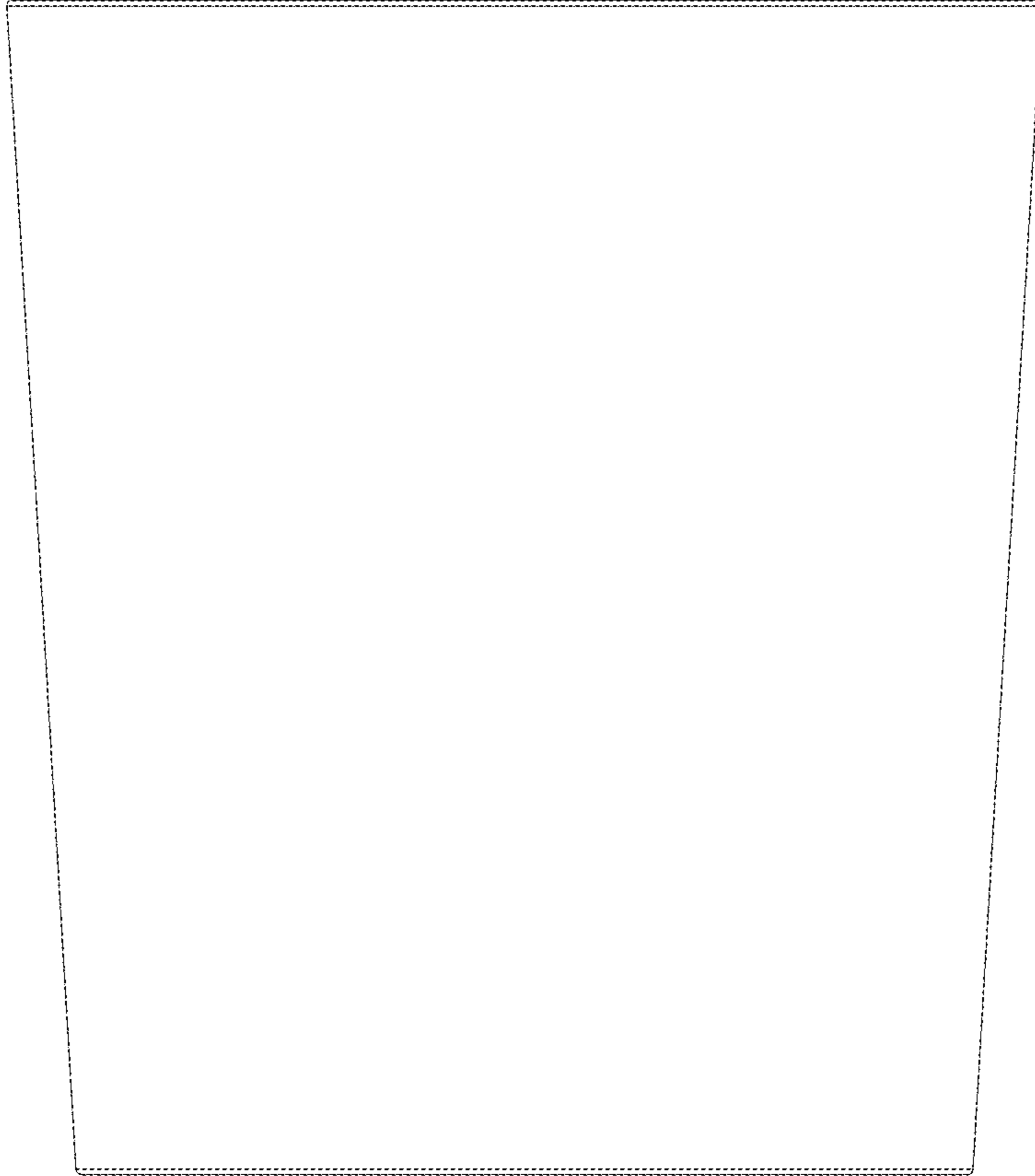


FIG 6

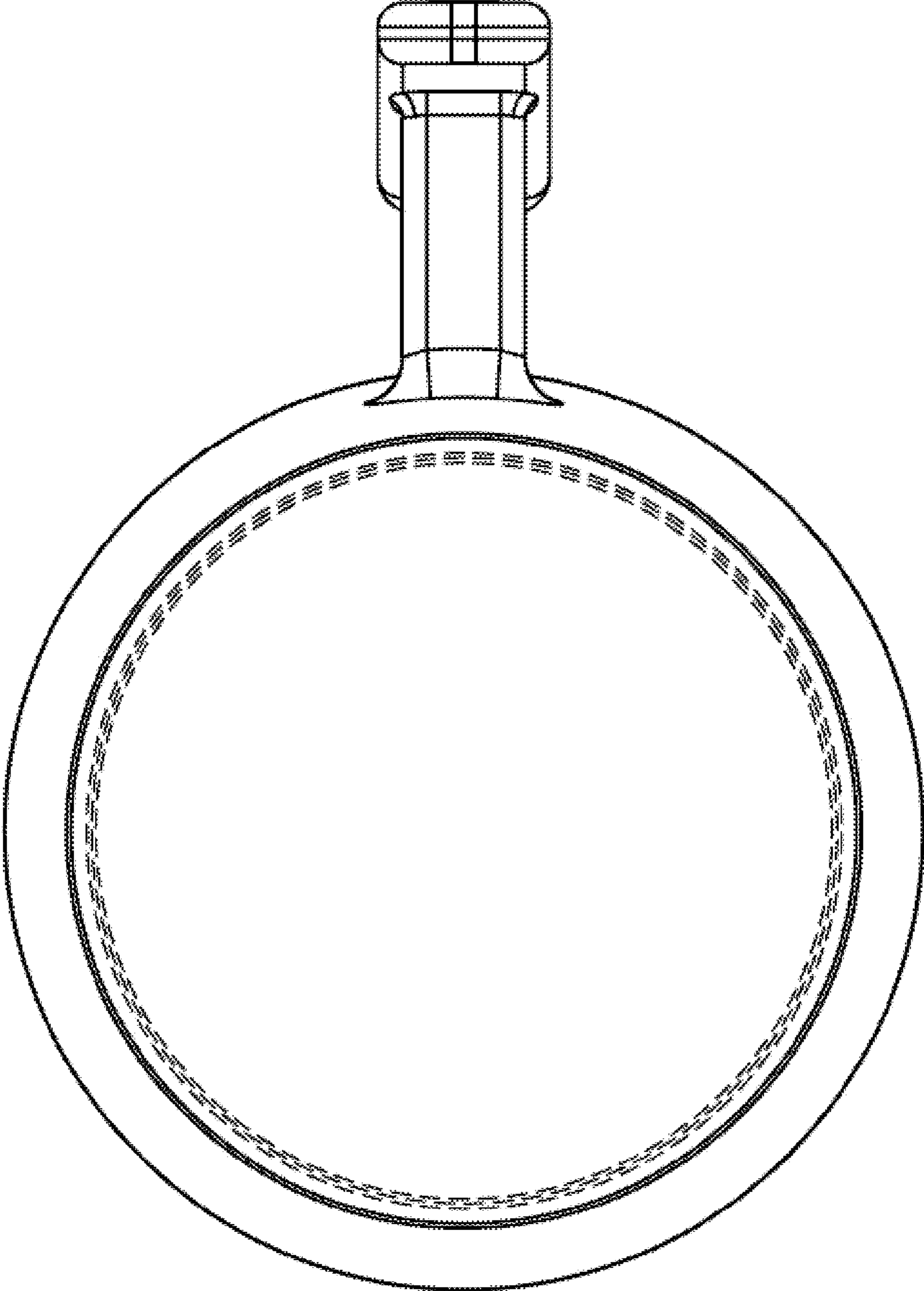


FIG. 7