



US00D953115S

(12) **United States Design Patent**
Ding

(10) **Patent No.:** **US D953,115 S**

(45) **Date of Patent:** **** May 31, 2022**

(54) **WATER BOTTLE**

(71) Applicant: **SHANGHAI GOOD DOG TECHNOLOGY CO., LTD.**, Shanghai (CN)

(72) Inventor: **Peng Ding**, Hangzhou (CN)

(73) Assignee: **SHANGHAI GOOD DOG TECHNOLOGY CO., LLD.**, Shanghai (CN)

(**) Term: **15 Years**

(21) Appl. No.: **29/772,953**

(22) Filed: **Mar. 5, 2021**

(51) **LOC (13) Cl.** **07-01**

(52) **U.S. Cl.**
USPC **D7/510; D30/132**

(58) **Field of Classification Search**
USPC D7/507, 509, 510, 511, 619.1, 396.2, D7/307, 306, 313; D30/132, 121, 122, D30/12, 124, 125, 126, 127, 128, 129, D30/130, 131, 133

CPC ... A01K 7/00; A01K 5/00; A01K 7/06; A01K 7/02; A47G 19/22; A47G 19/2205; A47J 43/27; A45F 3/16

See application file for complete search history.

(56) **References Cited**

U.S. PATENT DOCUMENTS

- D350,672 S * 9/1994 Egger D7/510
- 5,545,315 A * 8/1996 Lonneman C02F 1/003
210/120
- 5,636,592 A * 6/1997 Wechsler A01K 7/02
119/52.1
- D398,478 S * 9/1998 Spencer D7/510
- D423,736 S * 4/2000 O'Rourke D30/132
- D515,869 S * 2/2006 Mills D7/510
- D517,864 S * 3/2006 Yu B65D 1/0223
D7/510
- D618,509 S * 6/2010 Aarnoudse D7/510

- D623,460 S 9/2010 Krasner
 - D626,836 S * 11/2010 Lien D9/443
 - D705,501 S * 5/2014 Li D30/132
 - D760,027 S * 6/2016 Meyers D7/510
 - D777,518 S * 1/2017 Frazier D7/523
- (Continued)

FOREIGN PATENT DOCUMENTS

CN 305615868 * 2/2020

OTHER PUBLICATIONS

TIOVERY [online] URL: <https://www.amazon.com/TIOVERY-Dispenser-Container-Portable-Drinking/dp/B07M66ZPXG/> (site visited: Jan. 6, 2022) (Year: 2018).*

(Continued)

Primary Examiner — Jae Liang
Assistant Examiner — Tia Ruth-Renee Polidori

(57) **CLAIM**

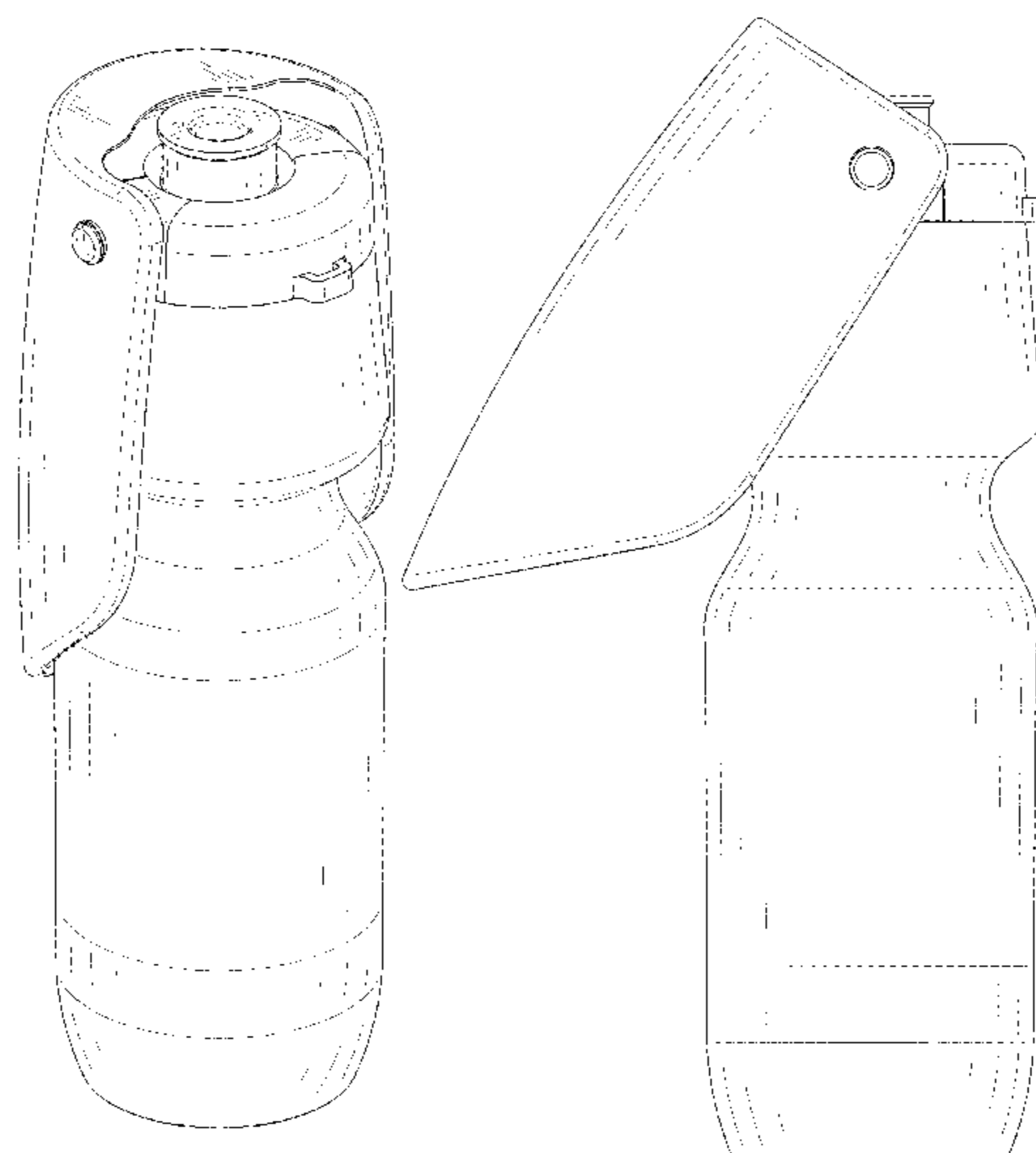
The ornamental design for a water bottle, as shown and described.

DESCRIPTION

FIG. 1 is a perspective view of a water bottle showing my new design;
 FIG. 2 is another perspective view thereof;
 FIG. 3 is a front elevational view thereof;
 FIG. 4 is a rear elevational view thereof;
 FIG. 5 is a left side elevational view thereof;
 FIG. 6 is a right side elevational view thereof;
 FIG. 7 is a top plan view thereof;
 FIG. 8 is a bottom plan view thereof; and,
 FIG. 9 is a left side elevation view of my new design for a water bottle shown in a configuration of use for clarity of disclosure.

The broken lines in the drawings depict portions of the water bottle that form no part of the claimed design.

1 Claim, 9 Drawing Sheets



(56)

References Cited

U.S. PATENT DOCUMENTS

D784,084 S * 4/2017 Bartlett D7/511
 D793,810 S * 8/2017 Frazier D7/523
 D798,664 S * 10/2017 Kristinik D7/509
 D808,219 S * 1/2018 Heiberger D7/510
 D817,714 S * 5/2018 Breit D7/510
 D829,506 S * 10/2018 Breit D7/510
 D843,784 S * 3/2019 Black D7/507
 D850,017 S * 5/2019 Brucato D30/132
 D854,378 S * 7/2019 Breit D7/507
 D861,258 S 9/2019 Liang
 D863,694 S * 10/2019 Pan D30/132
 D876,895 S * 3/2020 McCready D7/510
 D903,408 S * 12/2020 Massucco D7/392.1
 D906,601 S * 12/2020 Roost D30/132
 D913,796 S * 3/2021 Massucco D9/539
 11,206,950 B2 * 12/2021 Jones A47J 41/0077
 D948,808 S * 4/2022 Phlippeau D30/132
 2007/0017450 A1 * 1/2007 Hurwitz A01K 7/00
 119/74
 2007/0017451 A1 * 1/2007 Hurwitz A01K 7/00
 119/74
 2007/0079762 A1 * 4/2007 Stephanos A01K 7/00
 119/74
 2008/0087224 A1 * 4/2008 Wechsler A01K 7/00
 119/52.1

2009/0159009 A1 * 6/2009 Parks A01K 7/00
 119/74
 2012/0298045 A1 * 11/2012 Wechsler A01K 7/00
 119/52.1
 2014/0209032 A1 * 7/2014 Li A01K 7/00
 119/74
 2014/0261198 A1 * 9/2014 Wechsler A01K 7/00
 119/52.1
 2015/0298867 A1 * 10/2015 Sanderson A47G 19/2266
 215/6
 2017/0166346 A1 * 6/2017 Cornell A45F 3/16
 2017/0354120 A1 * 12/2017 Yang B65D 51/18
 2018/0086517 A1 * 3/2018 Heiberger B65D 47/247
 2019/0029469 A1 * 1/2019 Jones A45F 3/16
 2019/0119014 A1 * 4/2019 Heiberger B65D 23/104
 2019/0216052 A1 * 7/2019 Yang A01K 7/00

OTHER PUBLICATIONS

HOWGO (short) [online] URL: <https://www.amazon.com/HOWGO-PETJOYFUL-Light-weight-Portable-Silicone/dp/B095SBTZDH/> (site visited: Jan. 6, 2022) (Year: 2021).*

HOWGO [online] URL: <https://www.amazon.com/HOWGO-Light-Weight-Portable-Silicone-Plastic/dp/B08TBLKJPJ/> (site visited: Jan. 6, 2022) (Year: 2021).*

* cited by examiner

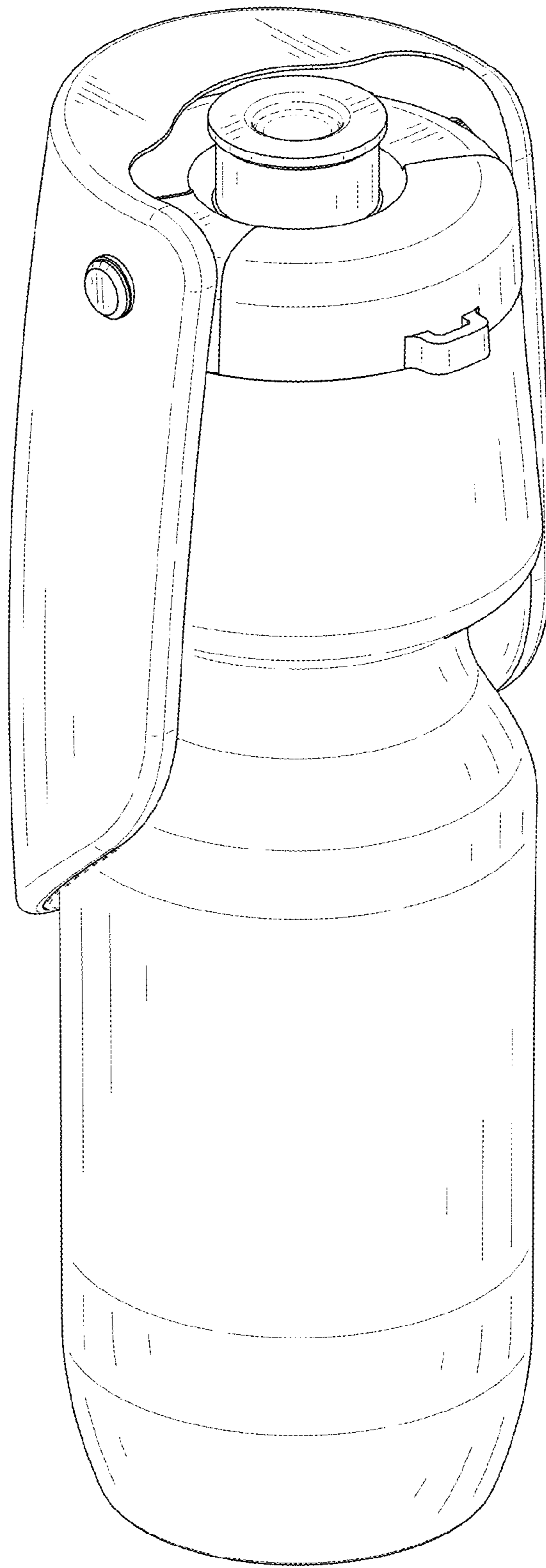


FIG. 1

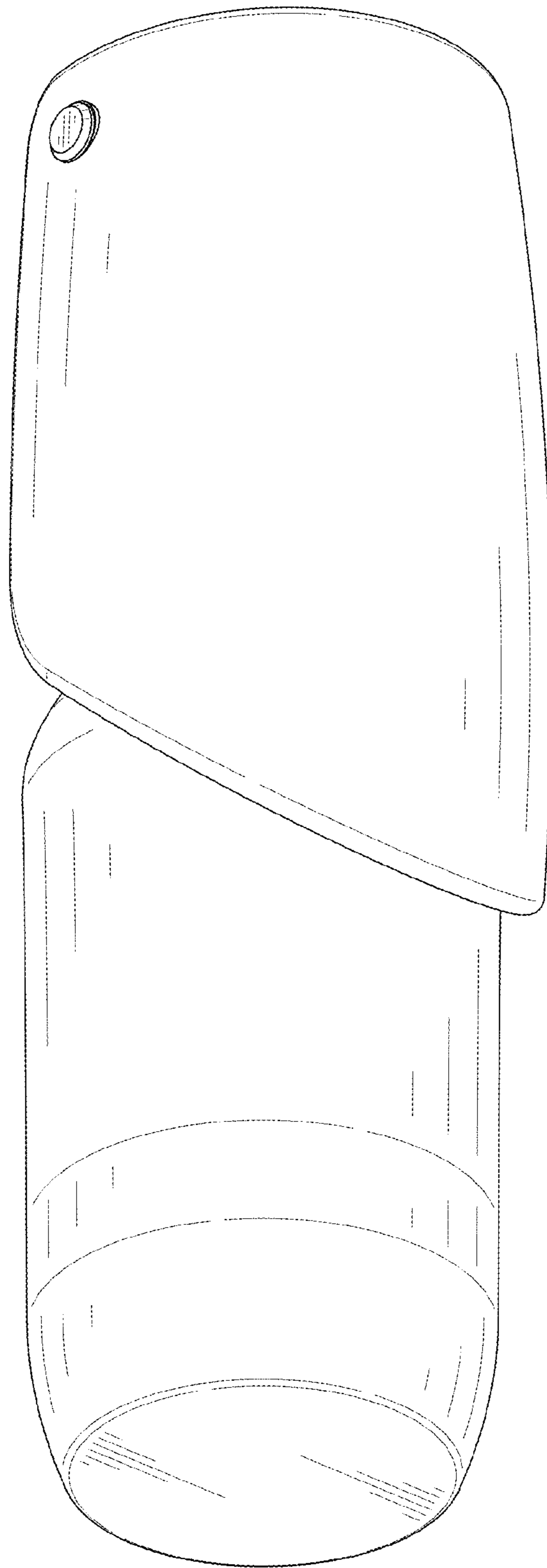


FIG. 2

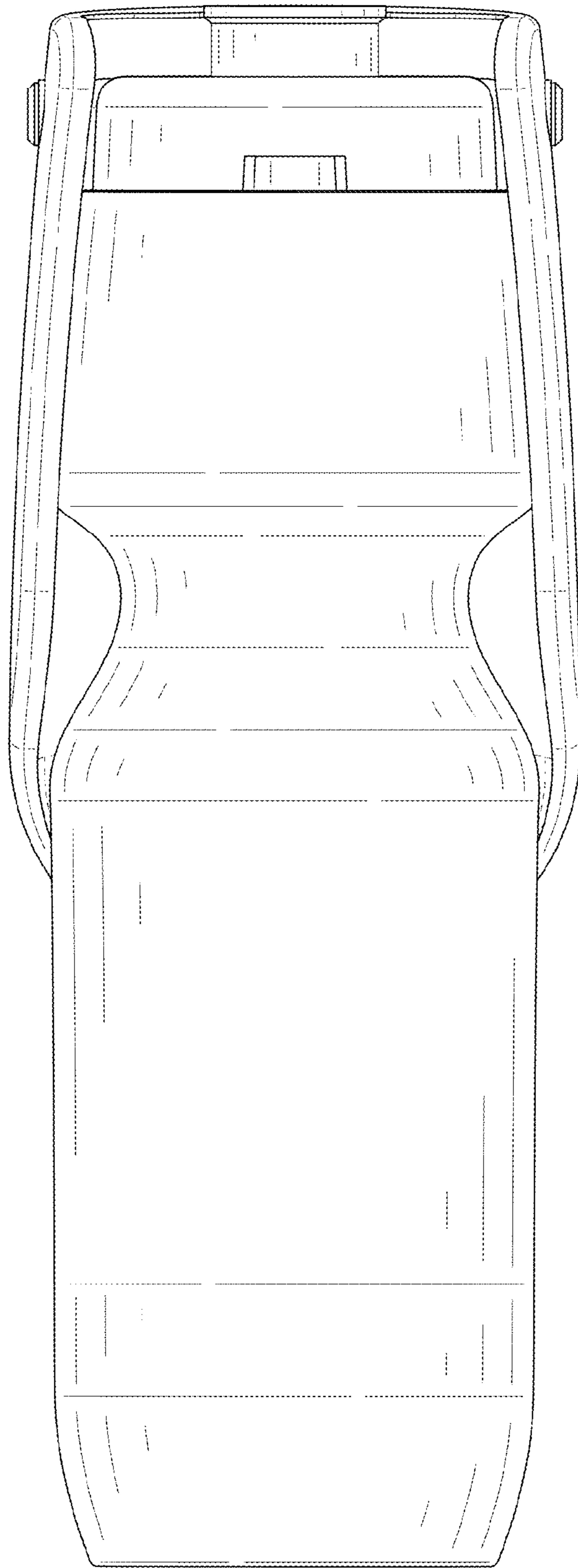


FIG. 3

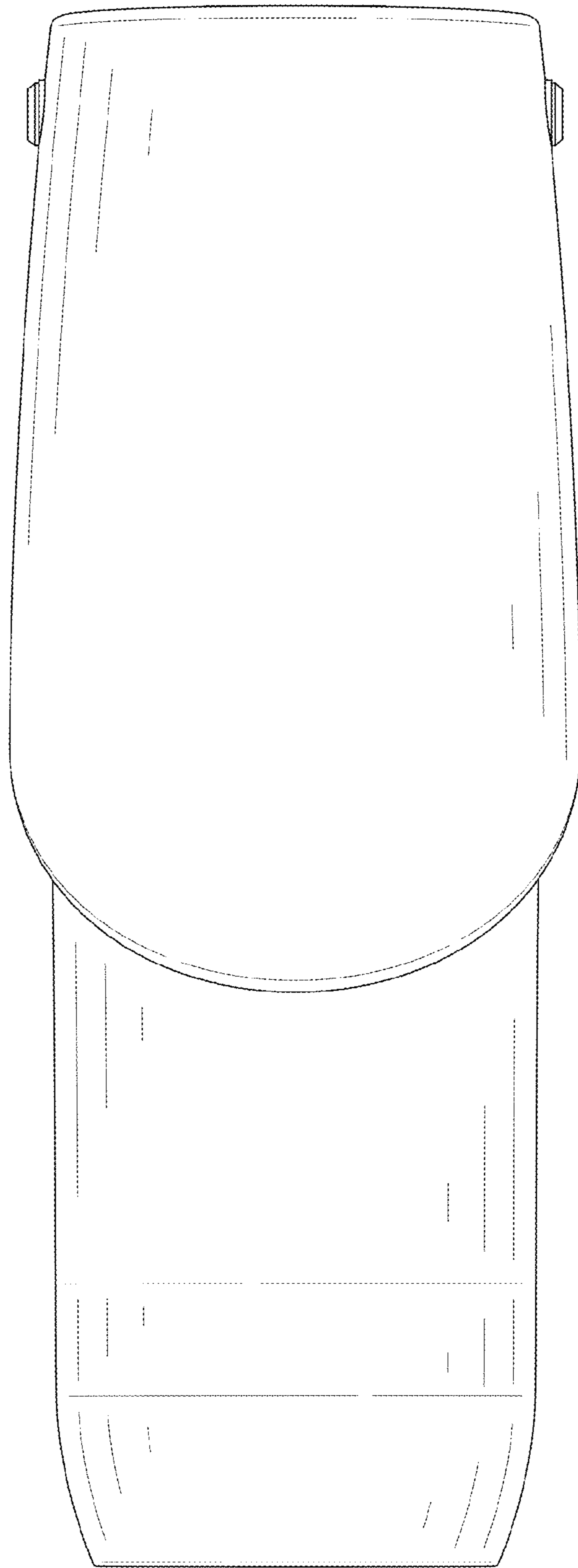


FIG. 4

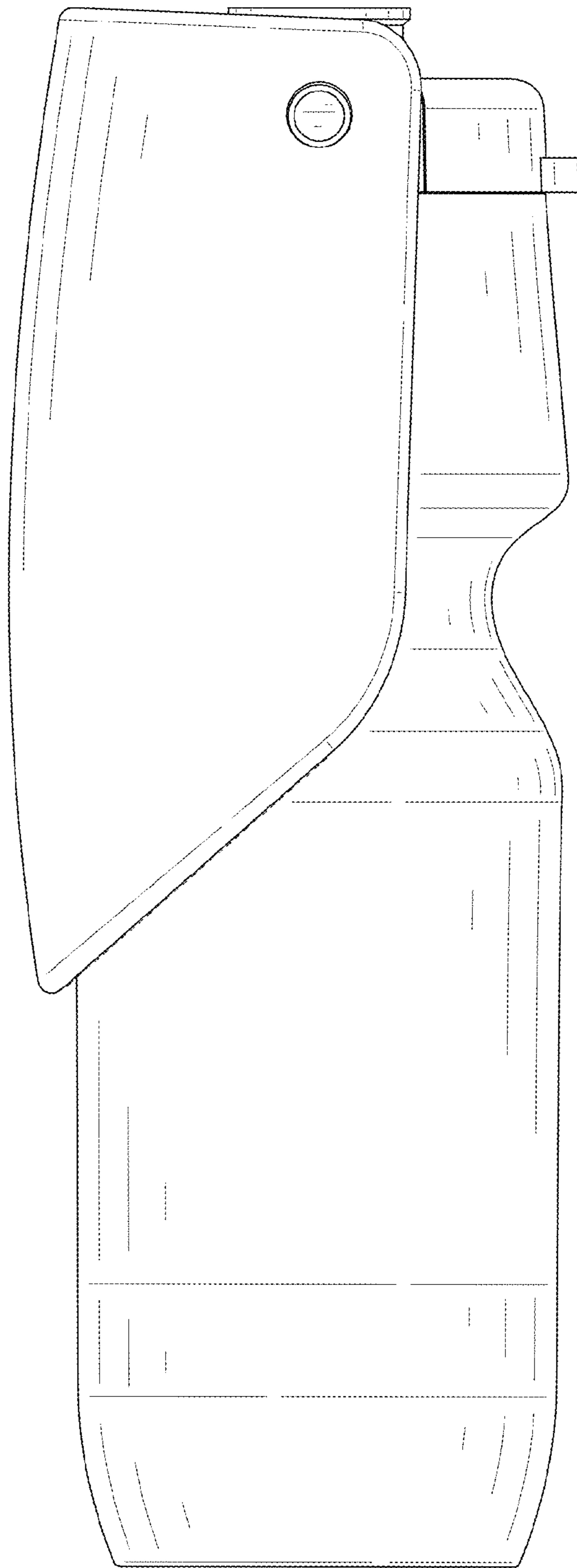


FIG. 5

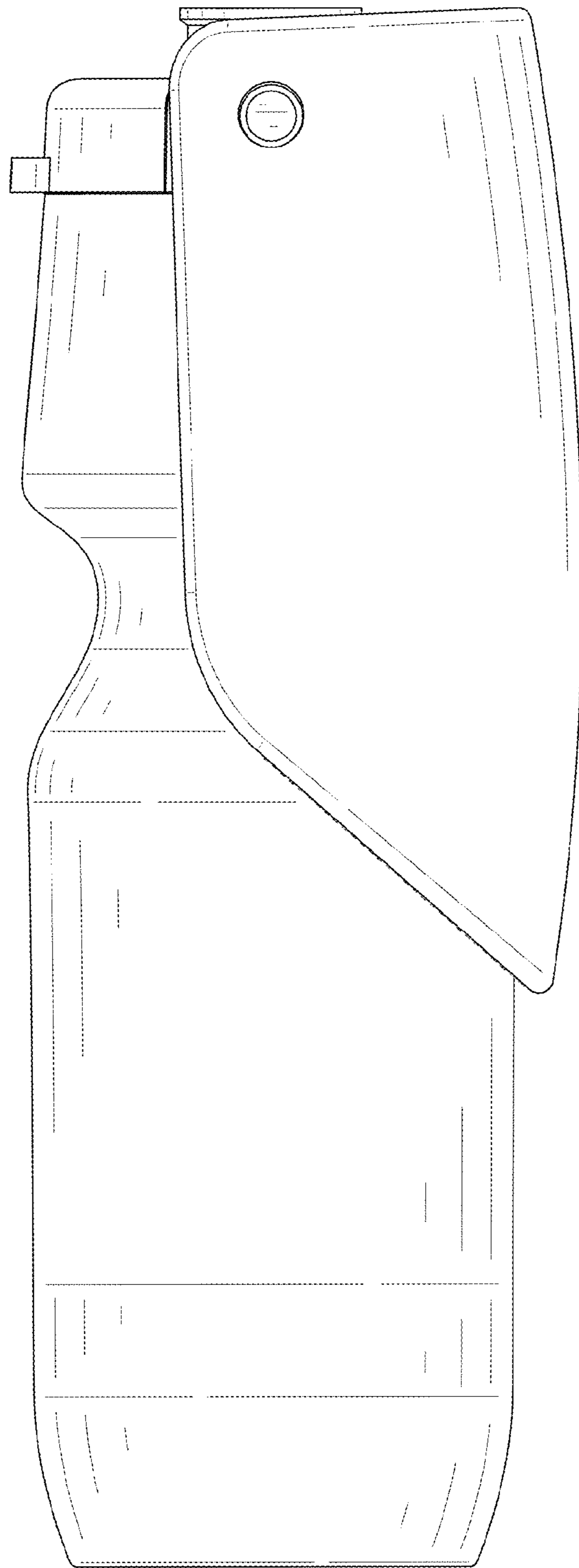


FIG. 6

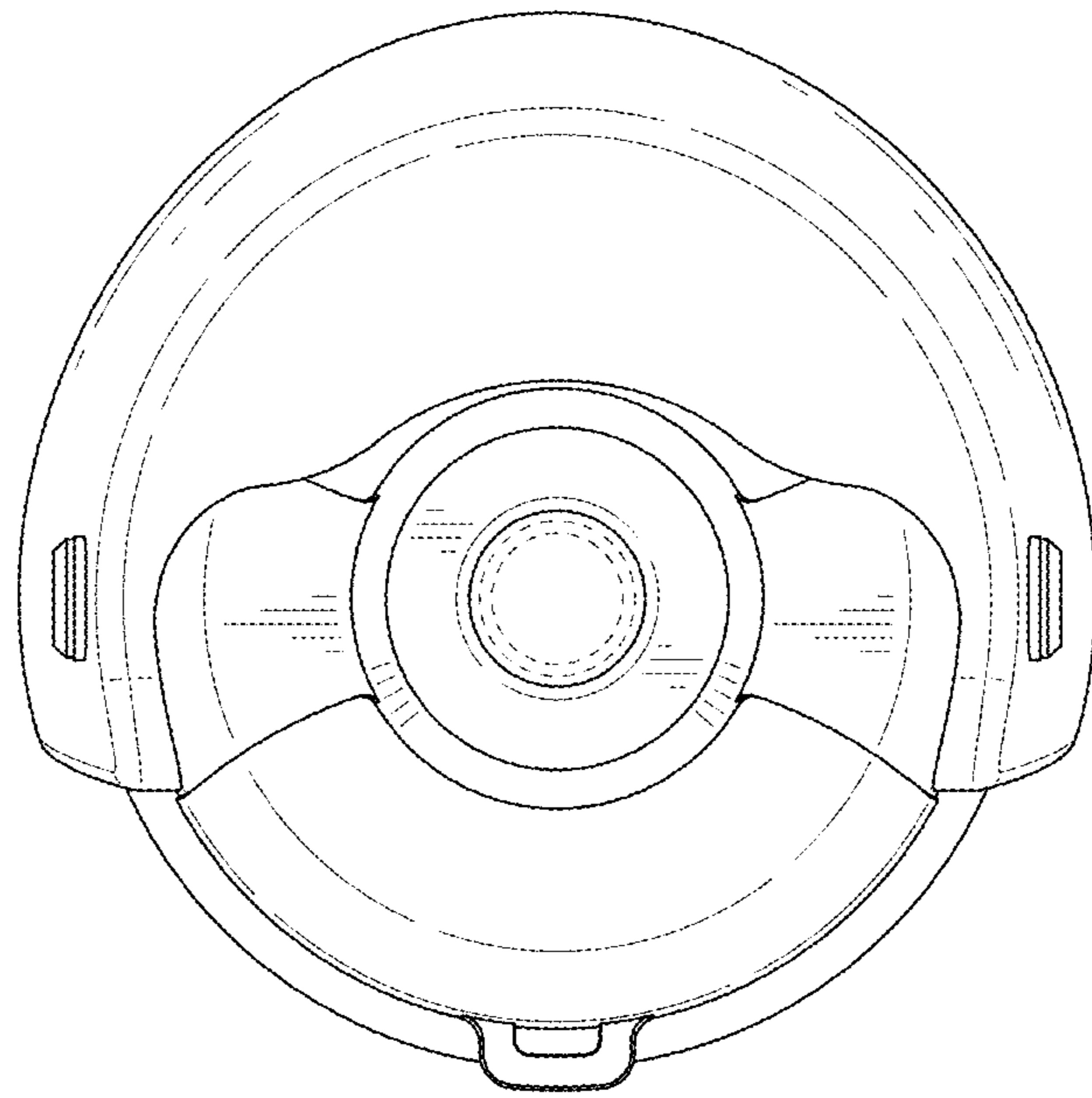


FIG. 7

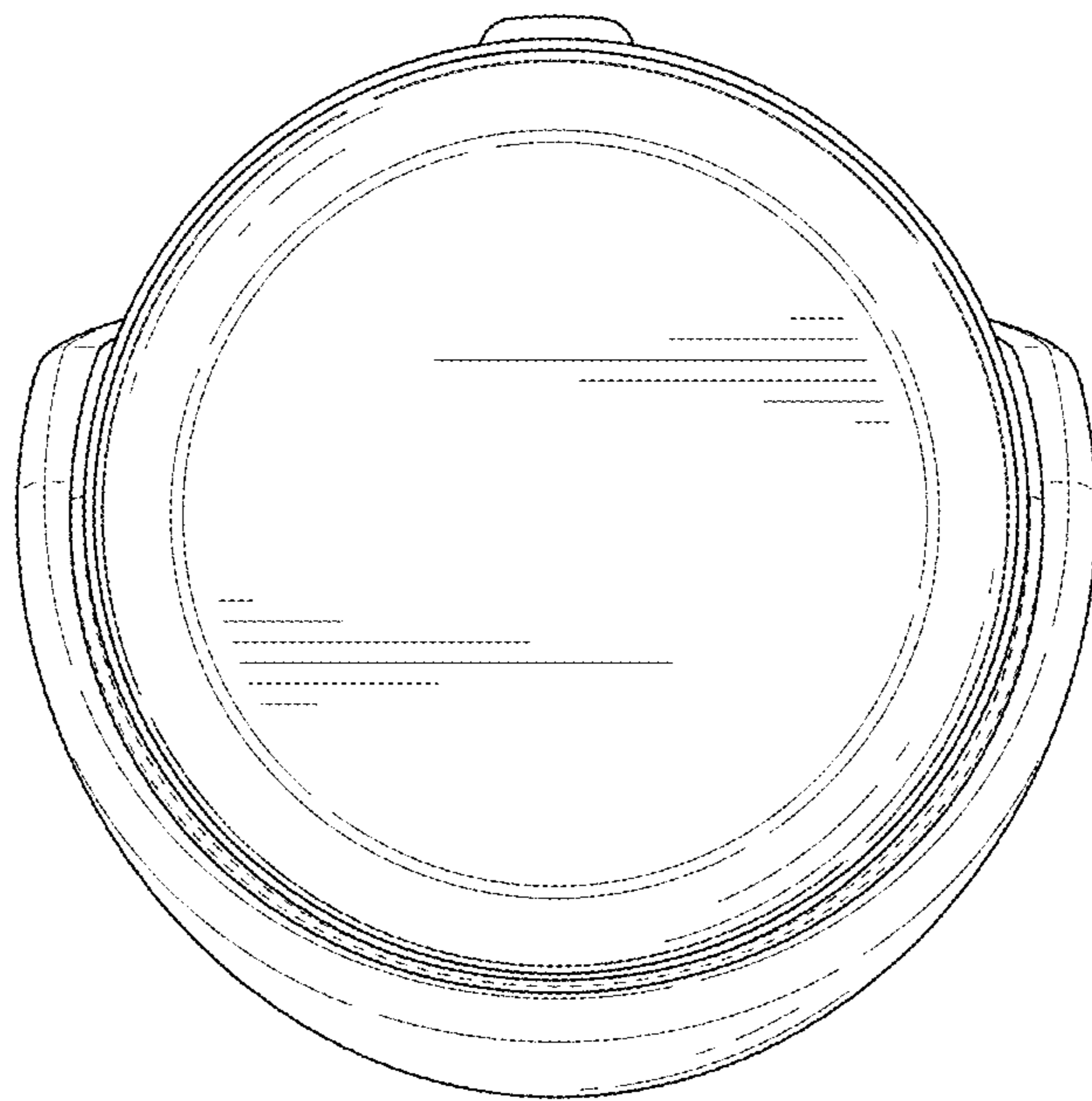


FIG. 8

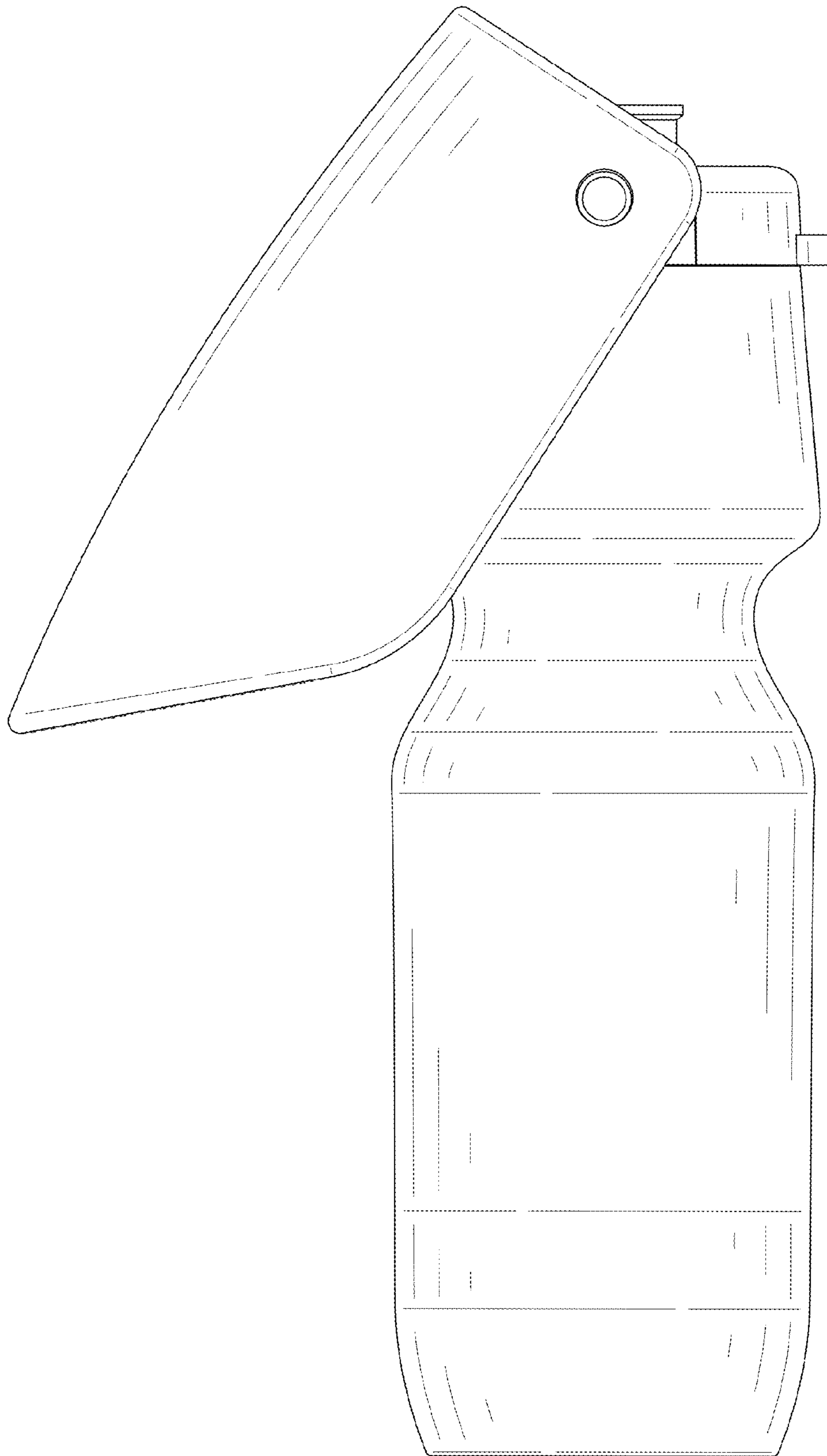


FIG. 9