



US00D953114S

(12) **United States Design Patent**  
**Sebastian Azpiazu et al.**

(10) **Patent No.: US D953,114 S**  
(45) **Date of Patent: \*\* May 31, 2022**

(54) **BOTTLE**

(71) Applicant: **LEKUE, S.L.**, Barcelona (ES)

(72) Inventors: **Rafael Sebastian Azpiazu**, Barcelona (ES); **Luis Cortegoso Marquez**, Barcelona (ES); **Guido Mancini**, Barcelona (ES)

(\*\*) Term: **15 Years**

(21) Appl. No.: **29/700,967**

(22) Filed: **Aug. 7, 2019**

(51) **LOC (13) Cl.** ..... **07-01**

(52) **U.S. Cl.**  
USPC ..... **D7/510; D9/503; D9/531**

(58) **Field of Classification Search**  
USPC ..... D9/422, 428, 500–505, 549, 557, 558, D9/575, 716, 737–747; D7/510, 511, 608  
CPC .. B65D 41/04; B65D 23/0885; B65D 1/0261; A47G 23/0241; A47G 19/2205  
See application file for complete search history.

(56) **References Cited**

**U.S. PATENT DOCUMENTS**

|              |         |                 |       |        |
|--------------|---------|-----------------|-------|--------|
| D327,818 S * | 7/1992  | Haralson        | ..... | D7/511 |
| D429,119 S * | 8/2000  | Hurlbut         | ..... | D7/608 |
| D444,702 S * | 7/2001  | Castleberry, II | ..... | D9/746 |
| D456,266 S * | 4/2002  | Cross           | ..... | D9/504 |
| D512,874 S * | 12/2005 | Poulson         | ..... | D7/510 |
| D651,086 S * | 12/2011 | Gullickson      | ..... | D9/504 |
| D672,609 S * | 12/2012 | Aziz            | ..... | D7/510 |
| D695,616 S * | 12/2013 | Li              | ..... | D9/503 |
| D696,117 S * | 12/2013 | Lee             | ..... | D9/500 |
| D703,000 S * | 4/2014  | Marina          | ..... | D9/503 |
| D703,487 S * | 4/2014  | Marina          | ..... | D9/500 |

(Continued)

**FOREIGN PATENT DOCUMENTS**

|    |         |   |        |
|----|---------|---|--------|
| GB | 4043655 | * | 1/2016 |
| GB | 6052735 | * | 1/2019 |

(Continued)

**OTHER PUBLICATIONS**

Raven1, Jun. 16, 2019, Bindle Bottle 24oz Glacier Blue Amazon.com Product Review Post, URL: [https://www.amazon.com/Bindle-Stainless-Integrated-Compartment-Eco-Friendly/dp/B07CJ1GH6G/ref=sr\\_1\\_3?dchild=1&keywords=water%2Bbottle%2Bwith%2Bstorage%2Bcompartment&qid=1631909178&sr=8-3&th=1](https://www.amazon.com/Bindle-Stainless-Integrated-Compartment-Eco-Friendly/dp/B07CJ1GH6G/ref=sr_1_3?dchild=1&keywords=water%2Bbottle%2Bwith%2Bstorage%2Bcompartment&qid=1631909178&sr=8-3&th=1) (Year: 2019).\*

*Primary Examiner* — Brett Miller

*Assistant Examiner* — Rani J Abdallah

(74) *Attorney, Agent, or Firm* — Eugenio J. Torres-Oyola; Rafael Rodriguez-Muriel; Victor M. Rodriguez-Reyes

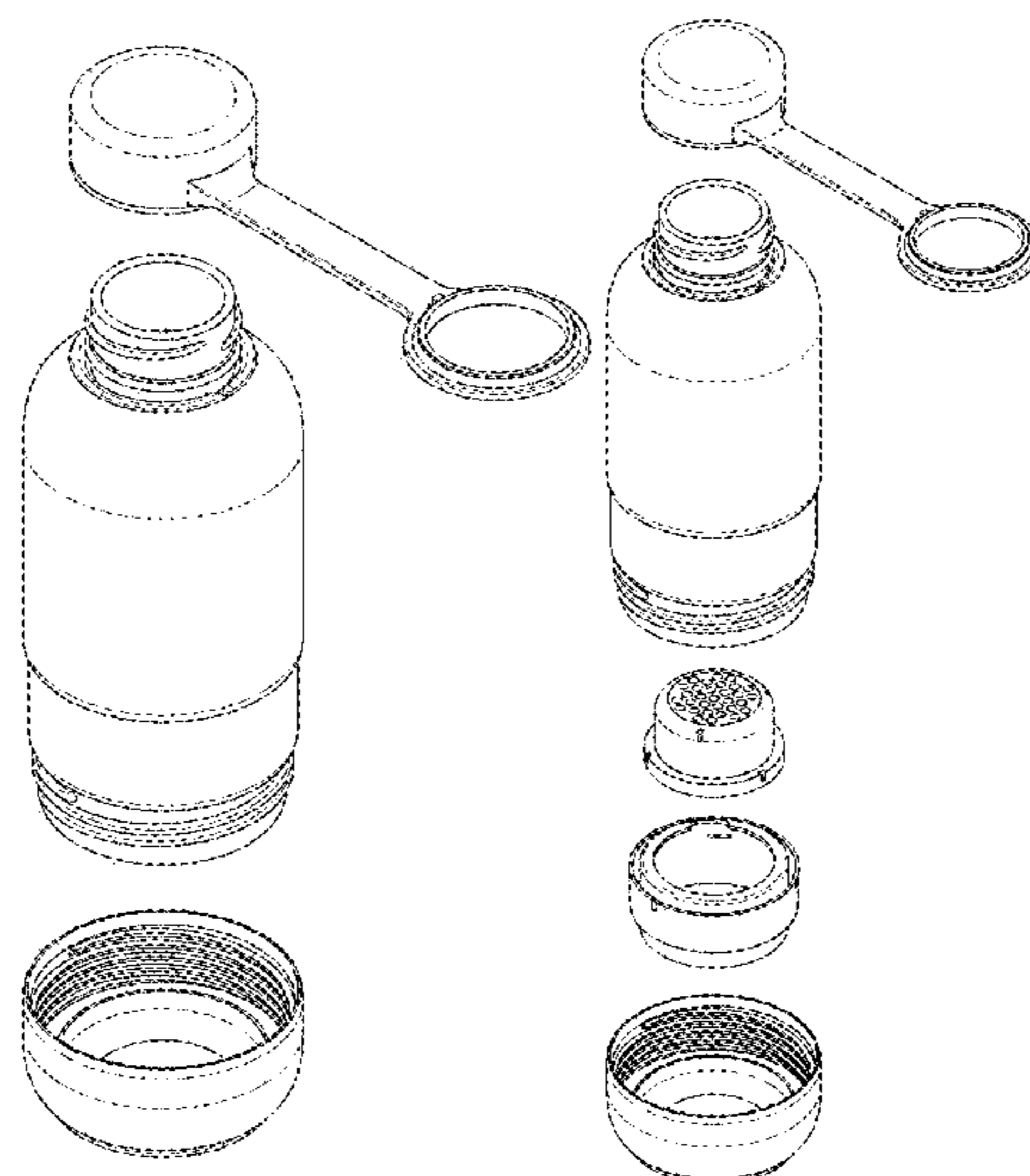
(57) **CLAIM**

The ornamental design for a bottle, as shown and described.

**DESCRIPTION**

FIG. 1 is an exploded perspective view of a bottle, showing the present design;  
FIG. 2 is a rear perspective view of the present design;  
FIG. 3 is a side view of the present design;  
FIG. 4 is a rear view of the present design;  
FIG. 5 is a front view of the present design;  
FIG. 6 is a top view of the present design;  
FIG. 7 is a bottom view of the present design;  
FIG. 8 is a second exploded perspective view containing additional components of a bottle, showing the present design;  
FIG. 9 is a rear perspective view of the present design;  
FIG. 10 is a side view of the present design;  
FIG. 11 is a rear view of some components of the present design;  
FIG. 12 is a front view of the present design;  
FIG. 13 is a top view of the present design; and,  
FIG. 14 is a bottom view of the present design.  
The broken lines are included for the purpose of illustrating environmental structures and form no part of the claimed design.

**1 Claim, 14 Drawing Sheets**



(56)

References Cited

U.S. PATENT DOCUMENTS

D709,387 S \* 7/2014 Marina ..... D9/738  
 D723,333 S \* 3/2015 Lin ..... D7/511  
 D724,385 S \* 3/2015 Hurley ..... D7/511  
 D727,171 S \* 4/2015 Marina ..... D9/738  
 D739,740 S \* 9/2015 Sturdevant ..... D9/504  
 D753,442 S \* 4/2016 Weernink ..... D7/510  
 D756,797 S \* 5/2016 Fine ..... D9/500  
 D764,232 S \* 8/2016 Marina ..... D9/740  
 D790,920 S \* 7/2017 Goodwin ..... D7/510  
 D803,064 S \* 11/2017 Marina ..... D9/537  
 D804,906 S \* 12/2017 Diener ..... D7/510  
 D807,177 S \* 1/2018 Belinsky ..... D9/500  
 D811,818 S \* 3/2018 Wu ..... D7/510  
 D812,428 S \* 3/2018 Wu ..... D7/510  
 D814,241 S \* 4/2018 Nickley ..... D7/510  
 D820,043 S \* 6/2018 Leslie-Shattenkirk .....  
 B65D 1/0276  
 D7/510  
 D820,091 S \* 6/2018 Phillips ..... D9/503  
 D823,537 S \* 7/2018 Beaver ..... D9/504  
 D828,723 S \* 9/2018 Gauss ..... D7/510  
 D829,101 S \* 9/2018 Spivey ..... D9/504  
 D832,650 S \* 11/2018 Diebel ..... D7/511  
 D833,230 S \* 11/2018 Libby ..... D7/608  
 D838,141 S \* 1/2019 Bertsch ..... D7/510  
 D839,674 S \* 2/2019 Lyu ..... D7/511  
 D839,683 S \* 2/2019 Wong ..... D7/608  
 D839,741 S \* 2/2019 Hawry ..... D9/504  
 D842,108 S \* 3/2019 Latour ..... D9/500  
 D842,700 S \* 3/2019 Blomberg ..... D9/500  
 D845,131 S \* 4/2019 Moretti ..... D9/500  
 D851,996 S \* 6/2019 Umholtz ..... D7/511  
 D852,001 S \* 6/2019 Campbell ..... D7/608  
 D856,082 S \* 8/2019 Yao ..... D7/507  
 D857,456 S \* 8/2019 Bell ..... D7/511

D860,806 S \* 9/2019 Phillips ..... D9/503  
 D861,430 S \* 10/2019 Yueh ..... D7/510  
 D862,993 S \* 10/2019 Allsop ..... D7/608  
 D865,450 S \* 11/2019 Jacobsen ..... D7/511  
 D866,259 S \* 11/2019 Jacobsen ..... D7/511  
 D866,260 S \* 11/2019 Jacobsen ..... D7/511  
 D867,068 S \* 11/2019 Jacobsen ..... D7/511  
 D867,519 S \* 11/2019 Furgurson ..... D9/503  
 D867,820 S \* 11/2019 Jacobsen ..... D7/511  
 D868,537 S \* 12/2019 Jacobsen ..... D7/511  
 D868,538 S \* 12/2019 Jacobsen ..... D7/511  
 D869,909 S \* 12/2019 Campbell ..... D7/608  
 D870,371 S \* 12/2019 Storz ..... D9/503  
 D871,840 S \* 1/2020 Meyers ..... D7/510  
 D871,844 S \* 1/2020 Adams, Jr. .... D7/510  
 D878,863 S \* 3/2020 Ke ..... D7/510  
 D885,836 S \* 6/2020 Wang ..... D7/510  
 D891,867 S \* 8/2020 Faria ..... D7/510  
 D901,250 S \* 11/2020 McCabe ..... D7/511  
 D906,761 S \* 1/2021 Lundstrom ..... D7/511  
 D908,430 S \* 1/2021 McCabe ..... D7/510  
 D912,515 S \* 3/2021 Alvarez ..... D9/503  
 D917,231 S \* 4/2021 Wang ..... D7/510  
 D917,969 S \* 5/2021 Eyal ..... D7/511  
 D918,041 S \* 5/2021 Huaping ..... D9/504  
 D922,829 S \* 6/2021 Campbell ..... D7/608  
 2011/0259843 A1 \* 10/2011 Wu ..... B65D 23/0885  
 215/12.1  
 2017/0073110 A1 \* 3/2017 Campbell ..... B65D 41/0414  
 2019/0075913 A1 \* 3/2019 Huang ..... A47J 31/005  
 2019/0375548 A1 \* 12/2019 Campbell ..... B65D 81/3876

FOREIGN PATENT DOCUMENTS

GB 6057005 \* 3/2019  
 WO D100409-001 \* 4/2018

\* cited by examiner



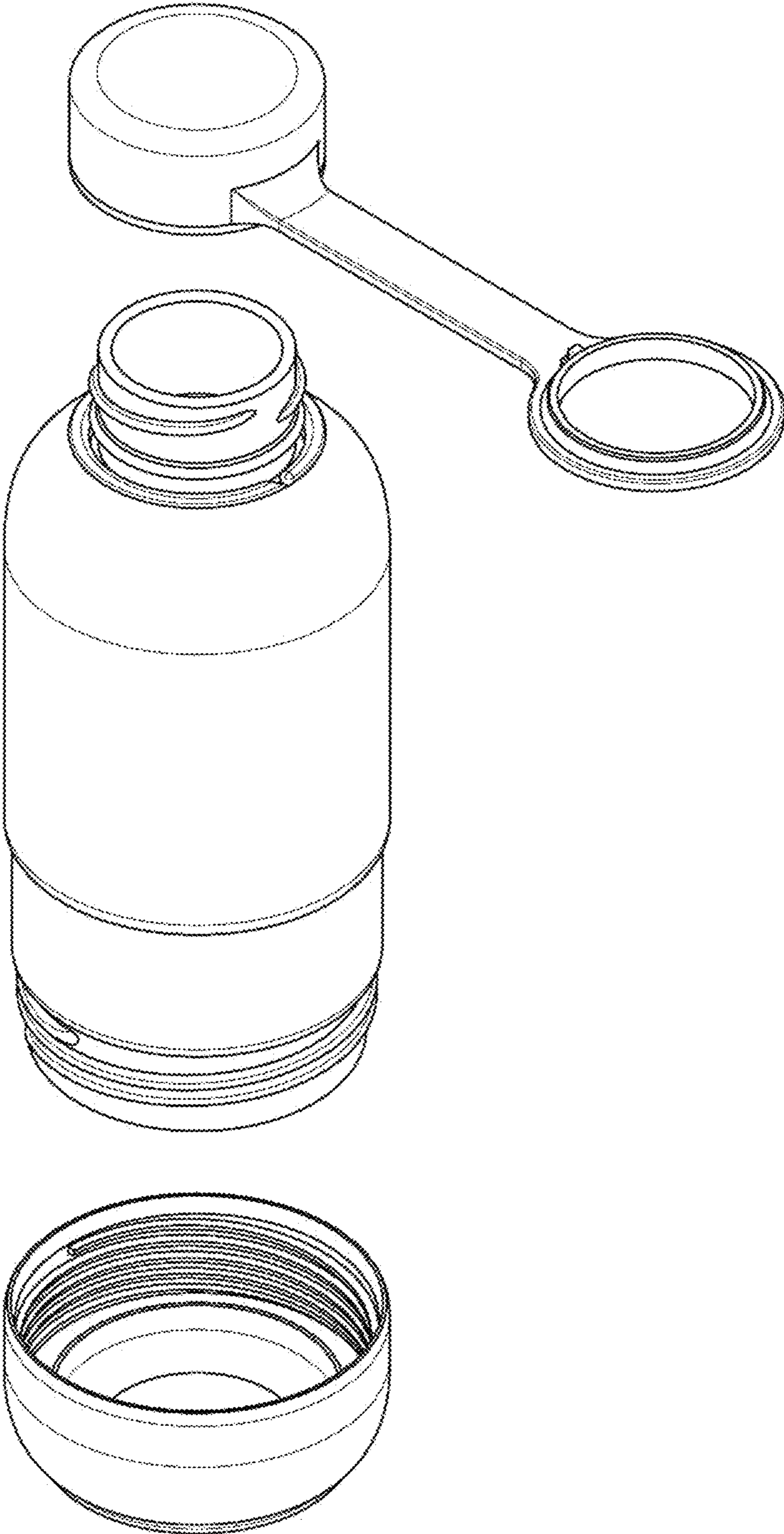


Fig. 1

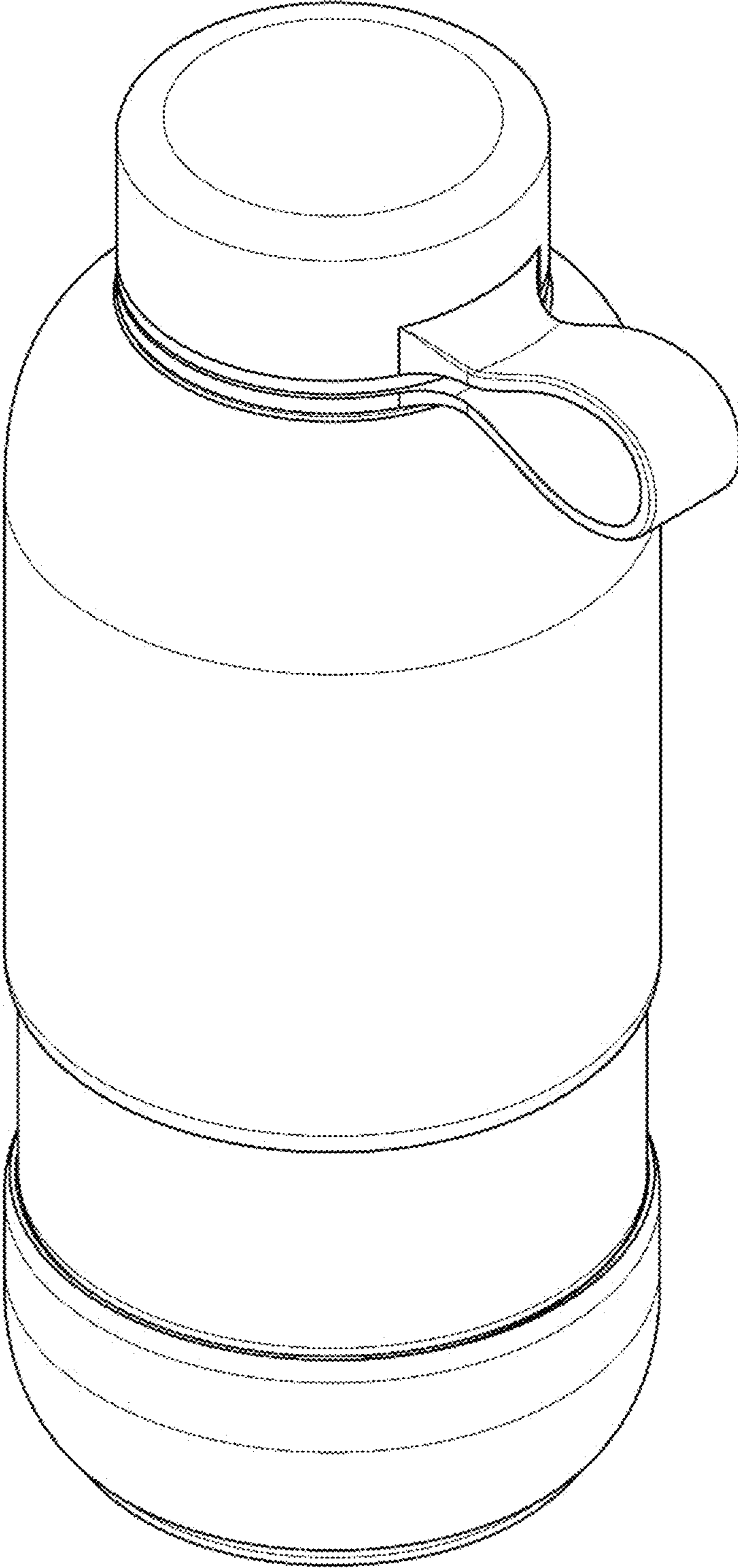


Fig. 2

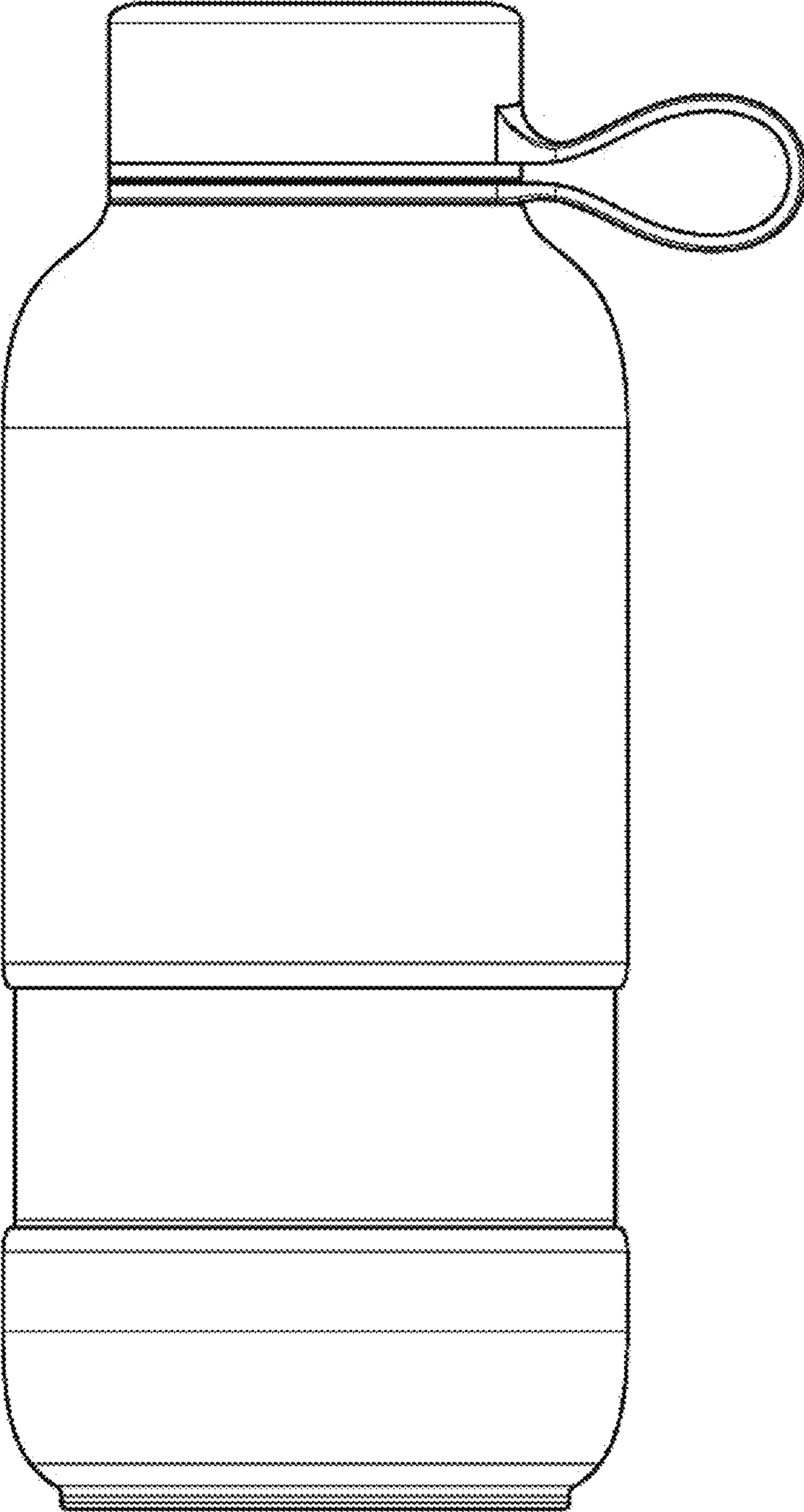


Fig. 3

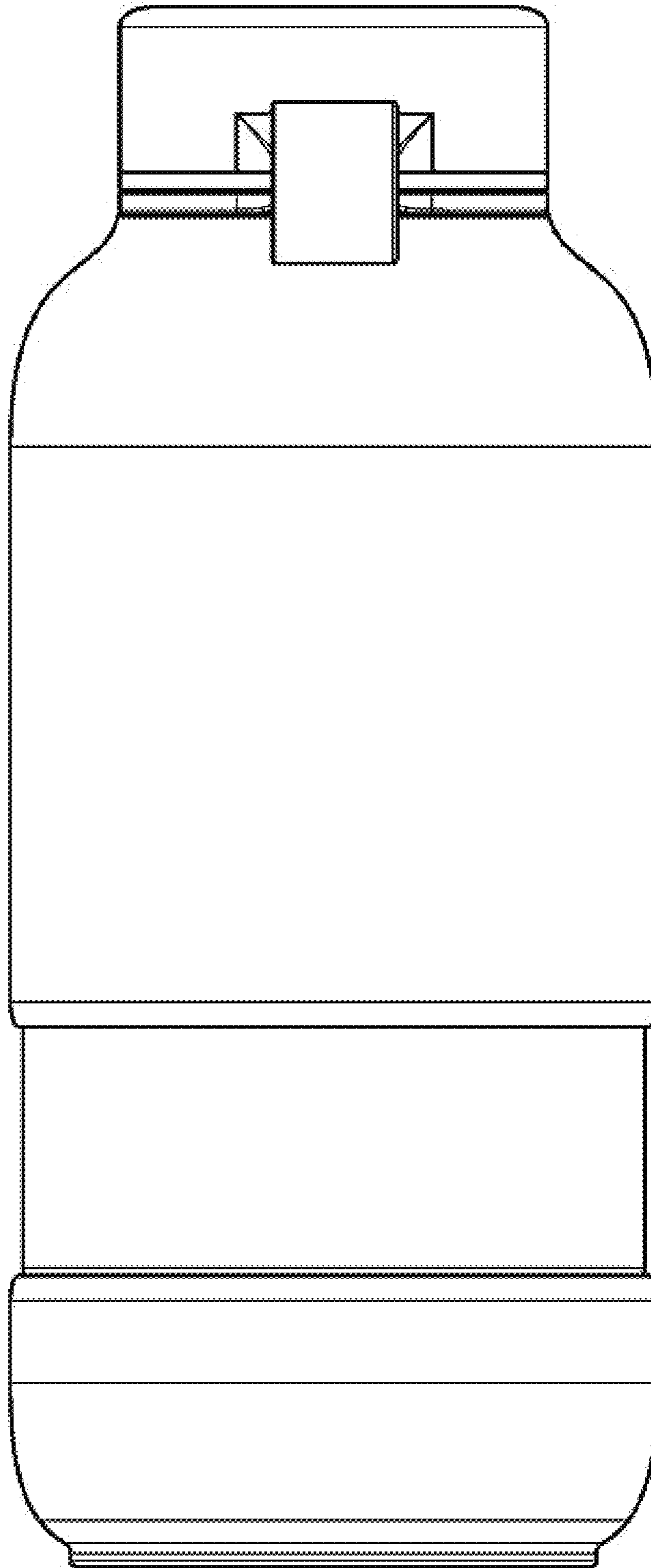


Fig. 4

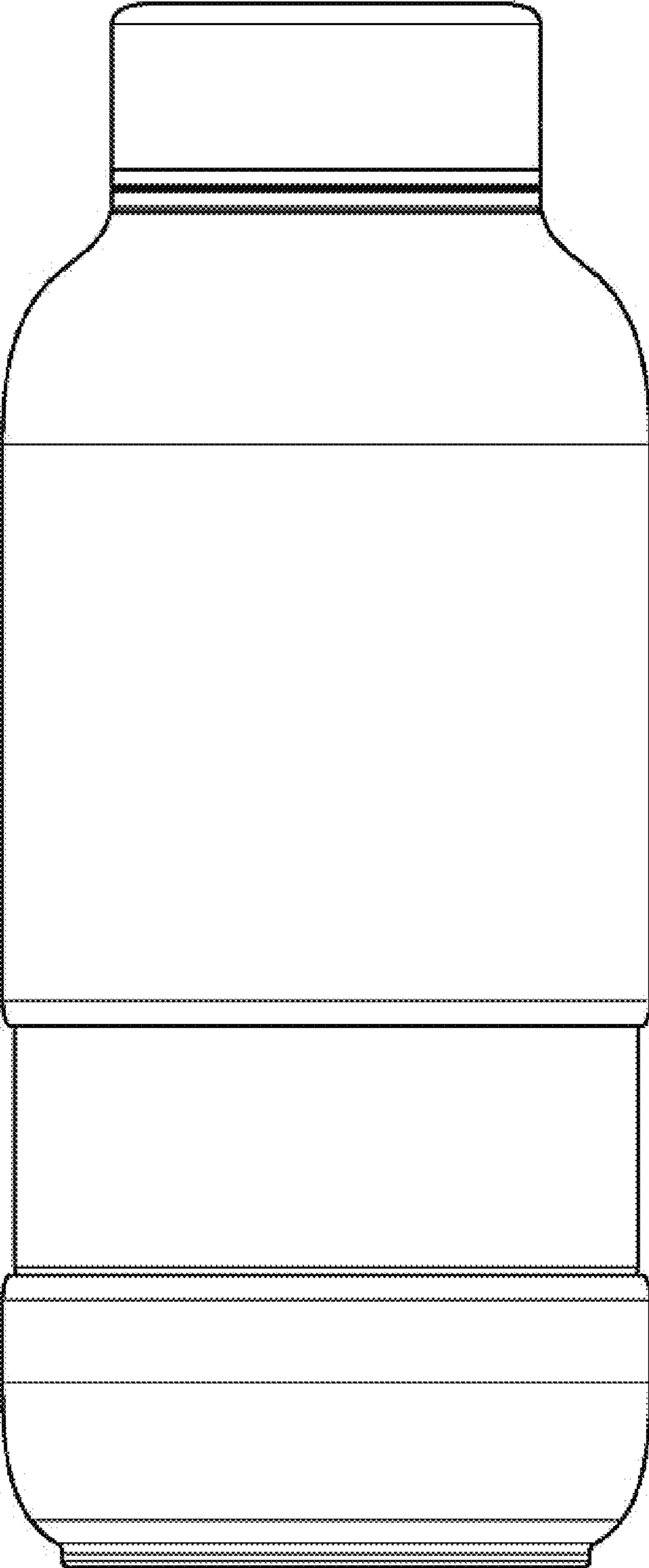


Fig. 5

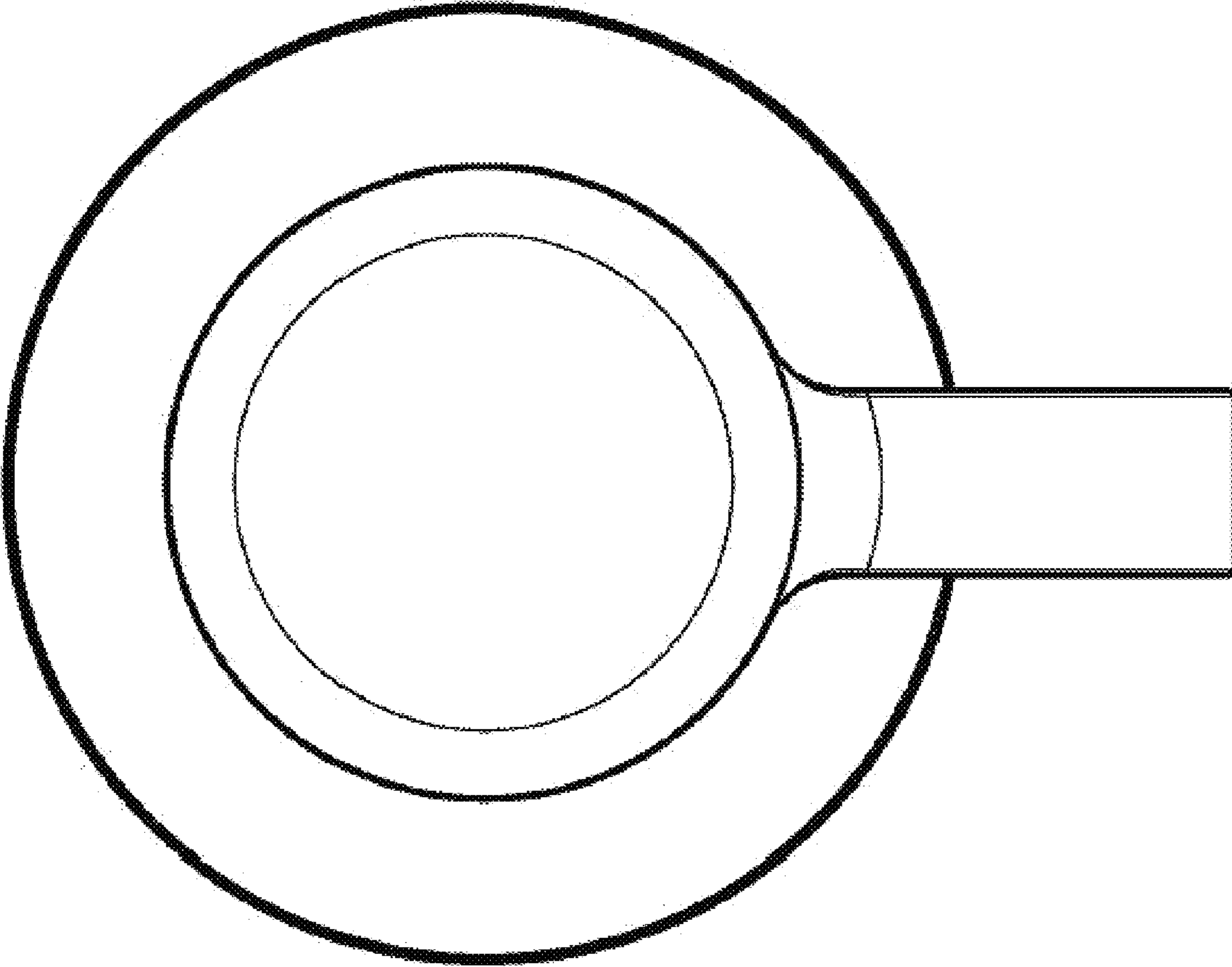


Fig. 6



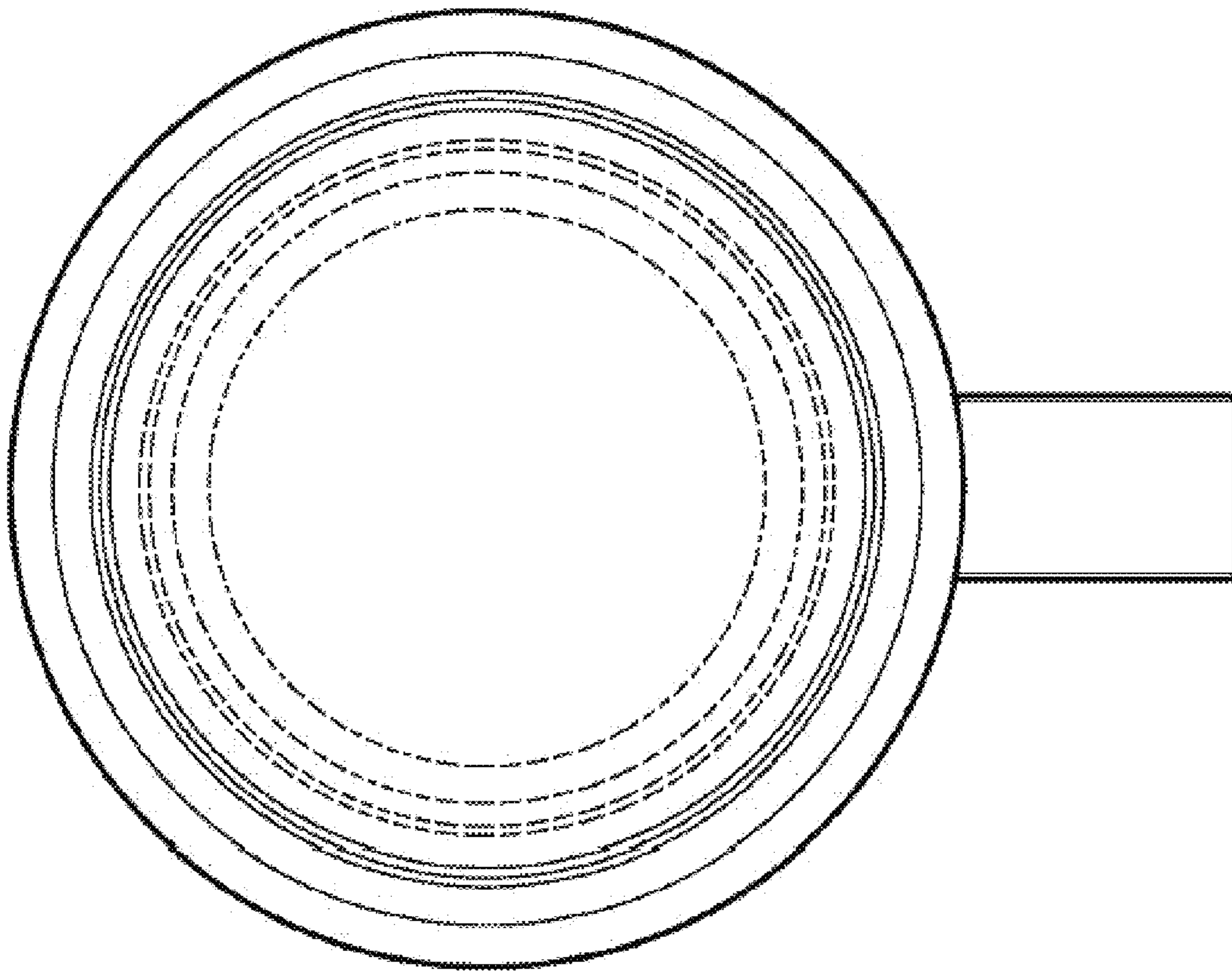


Fig. 7

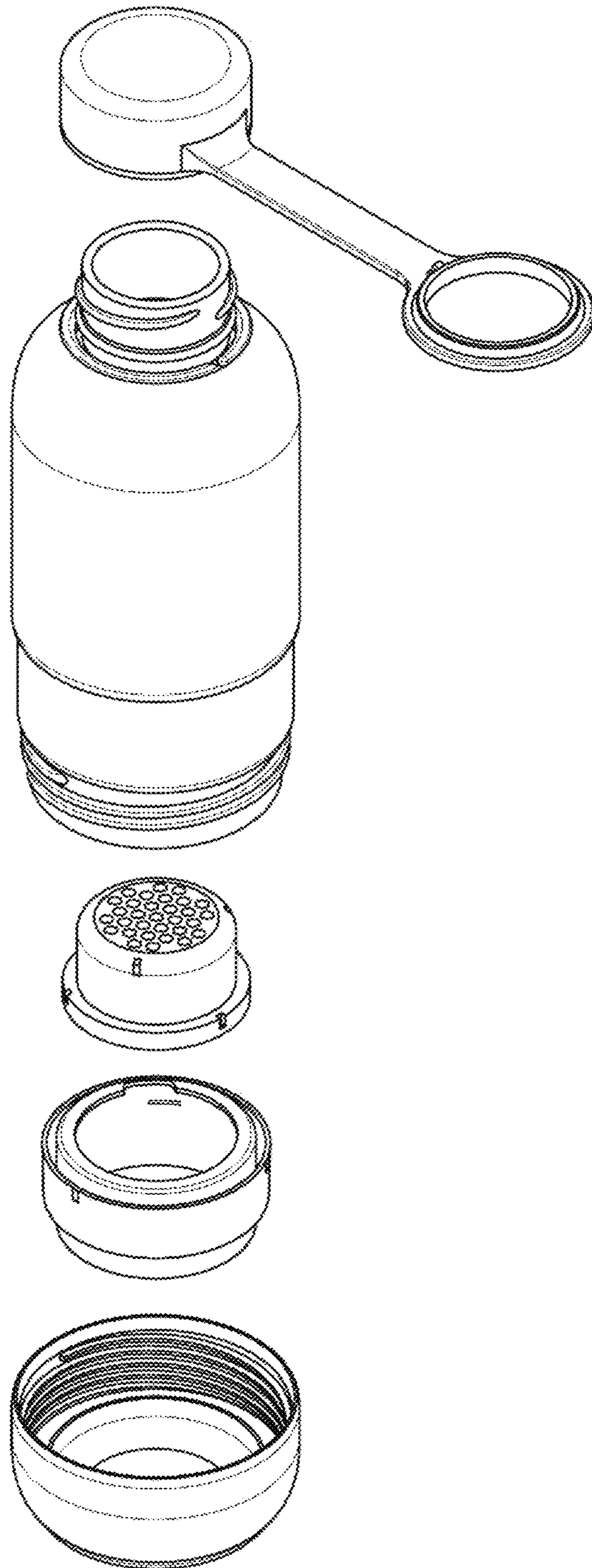


Fig. 8

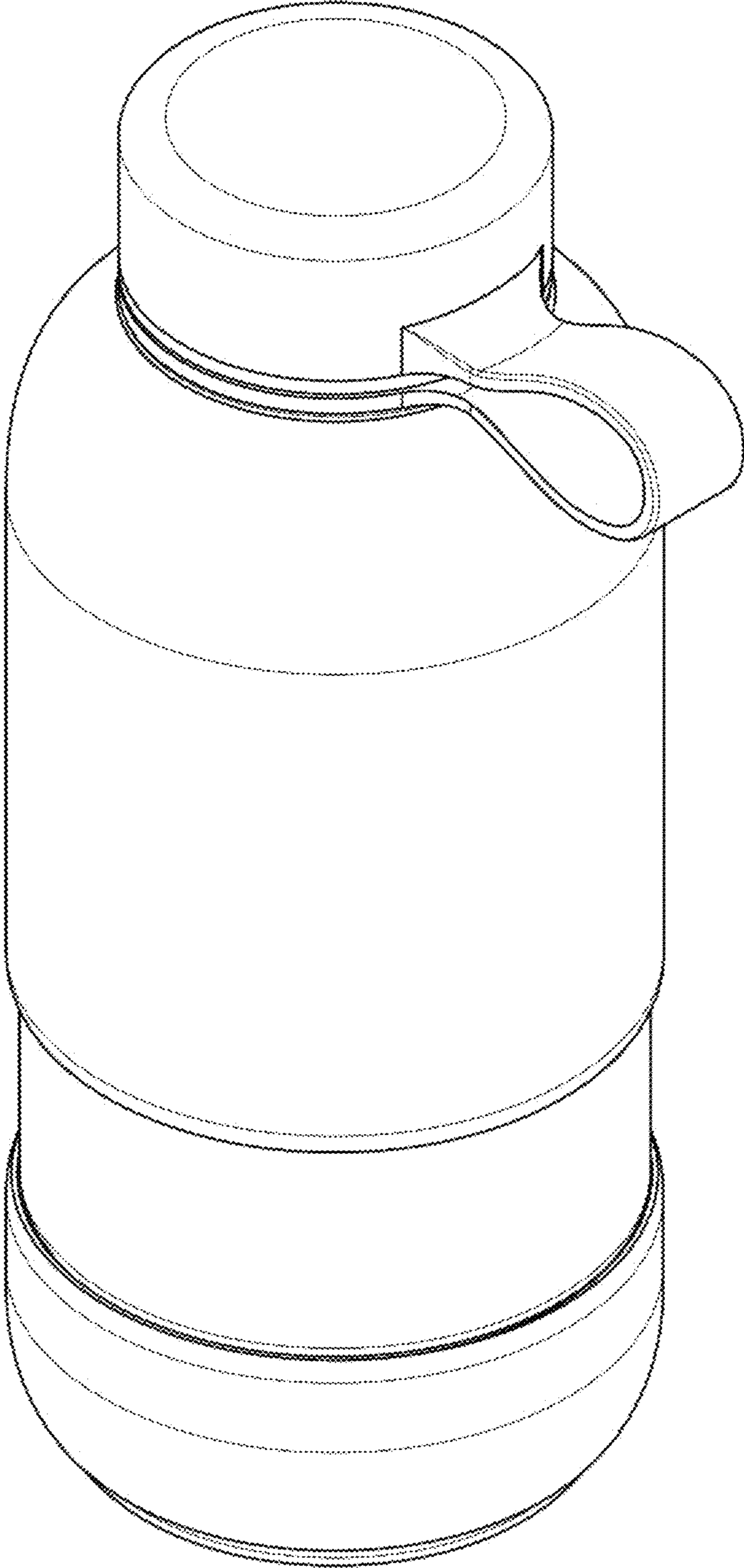


Fig. 9

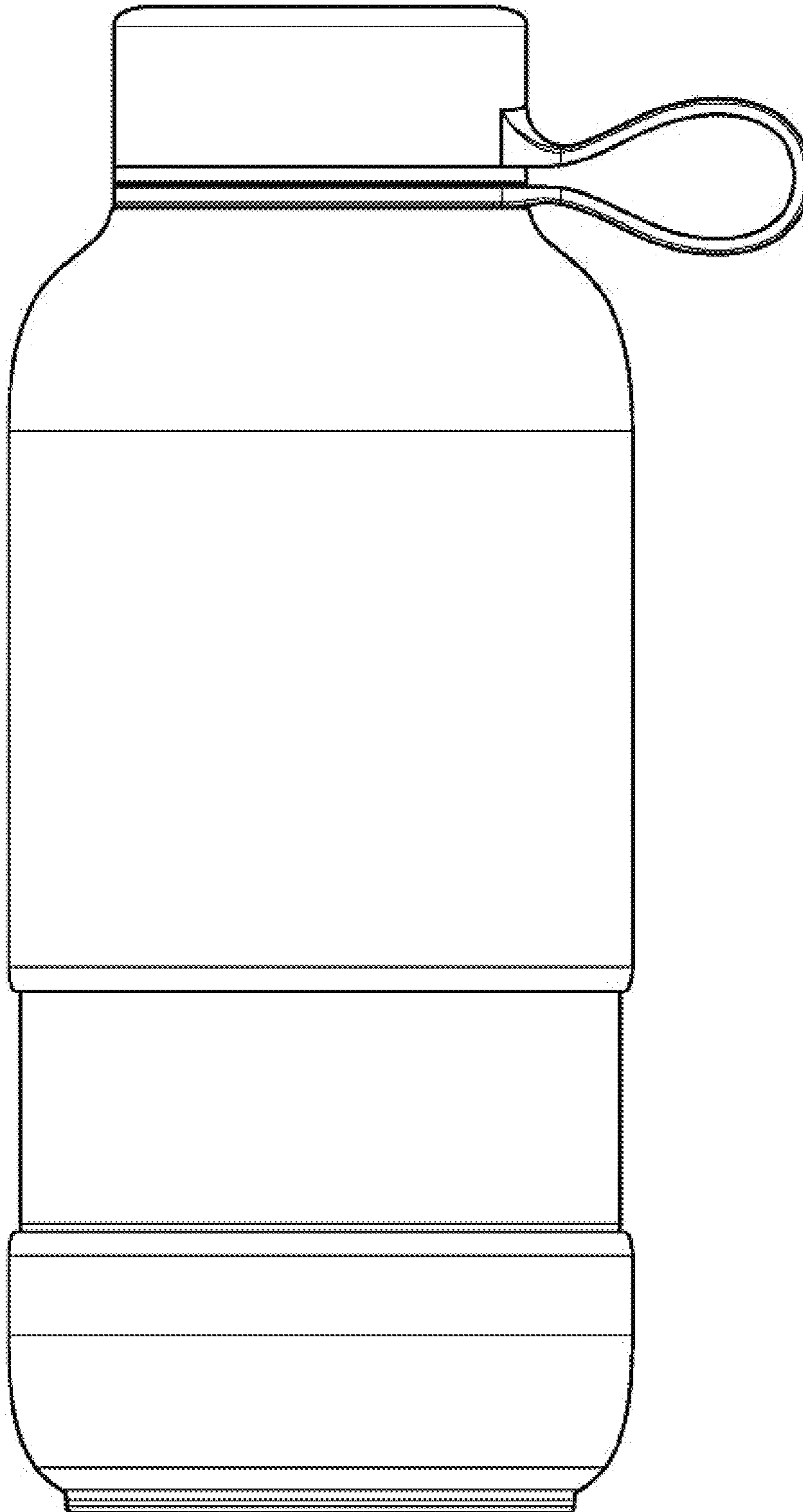


Fig. 10



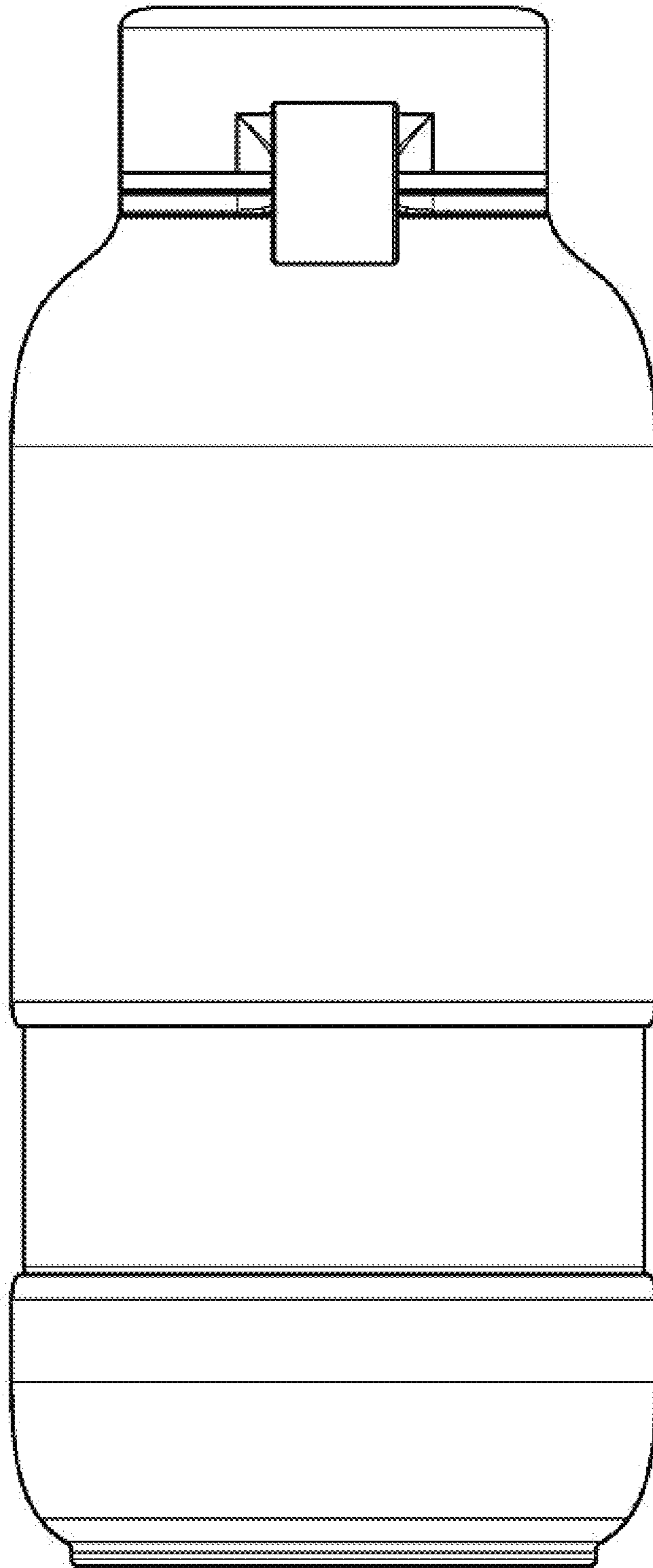


Fig. 11

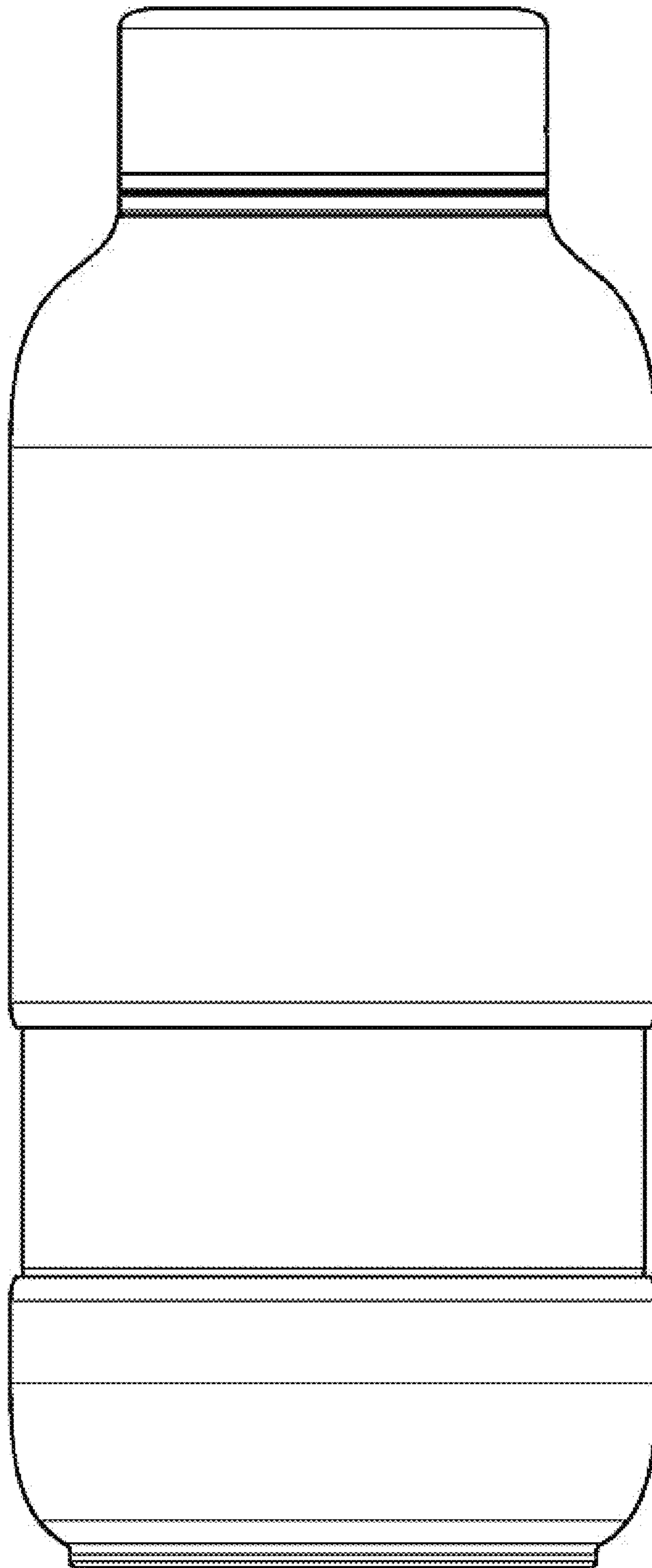


Fig. 12

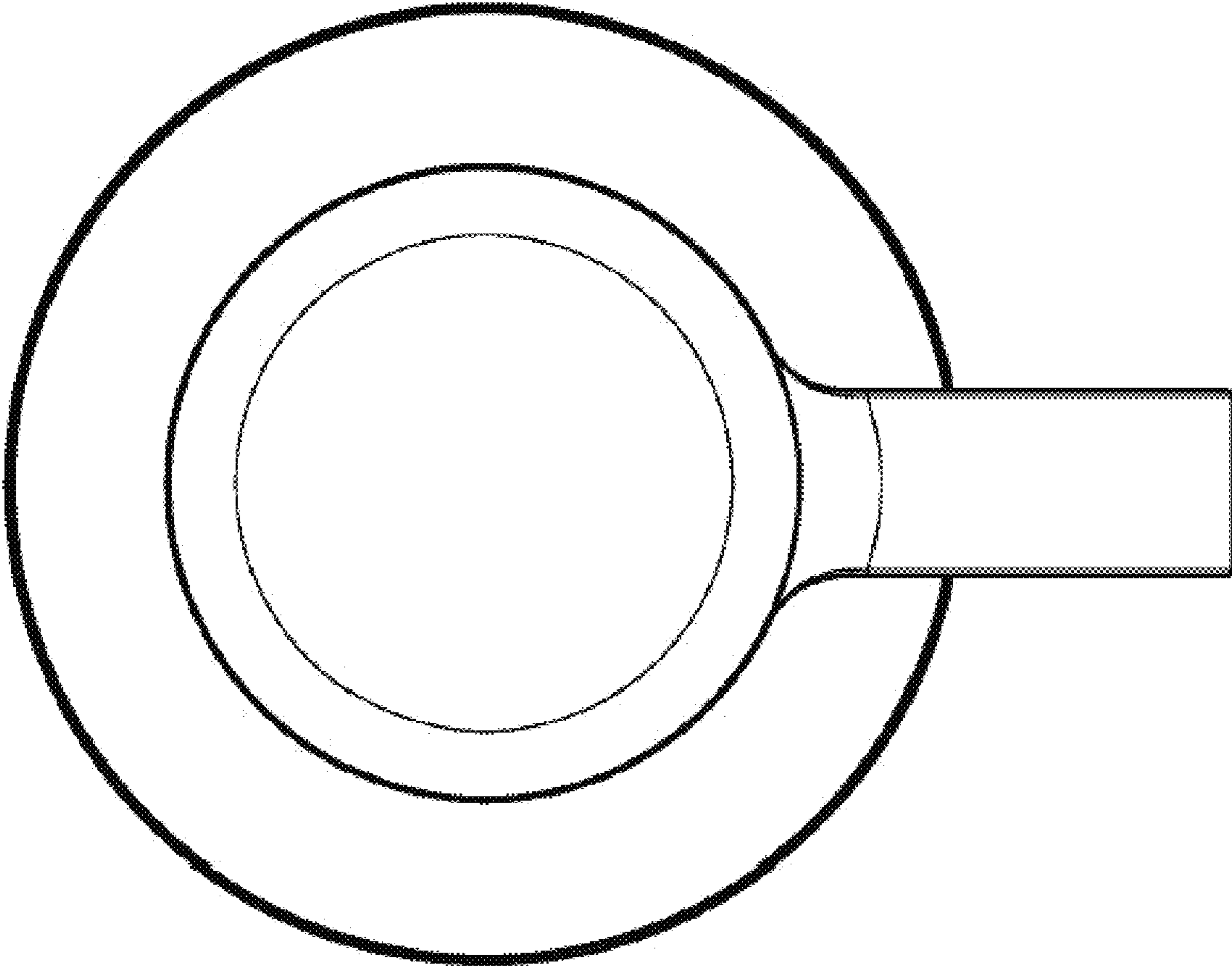


Fig. 13

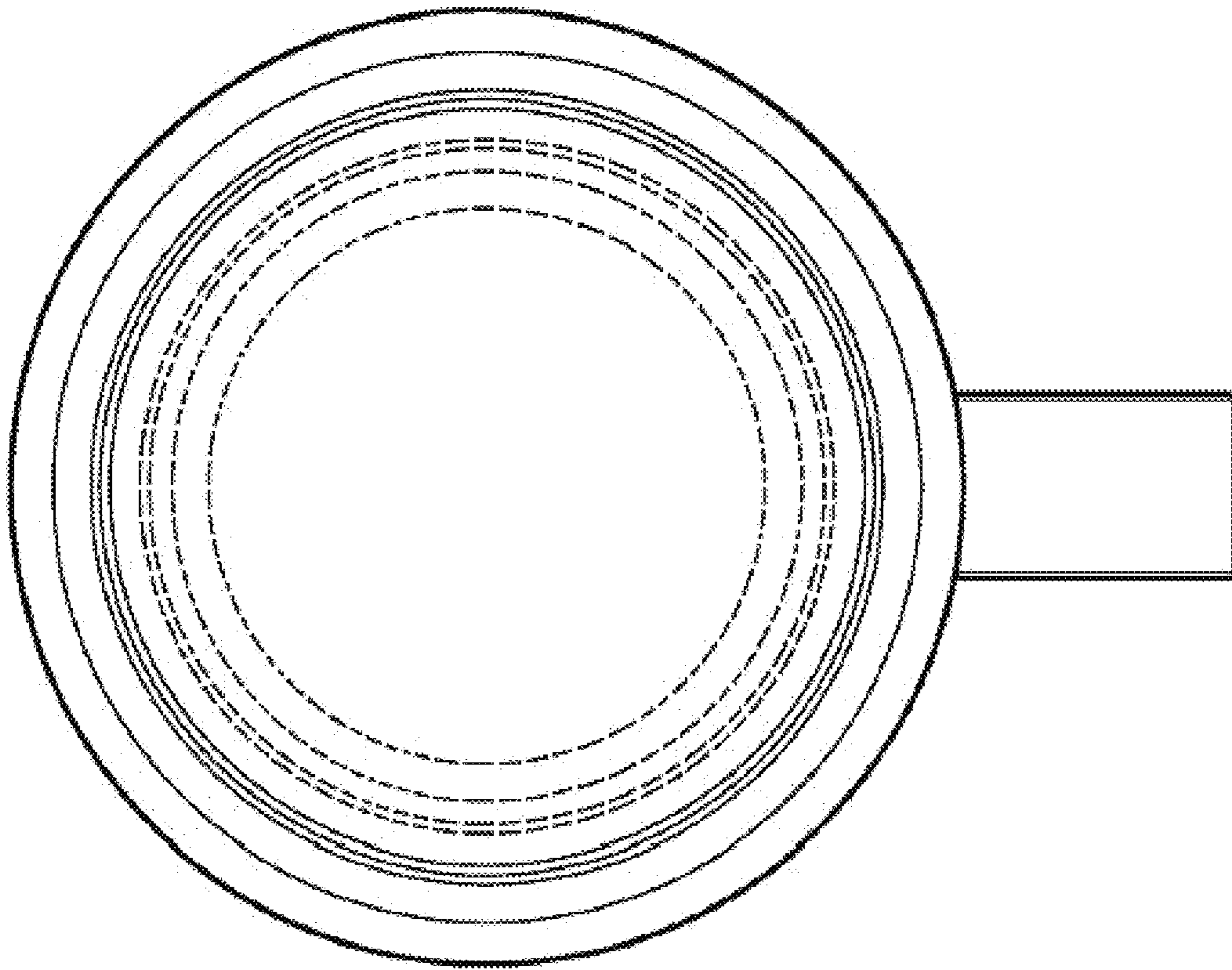


Fig. 14