



US00D953112S

(12) **United States Design Patent**
Monk et al.

(10) **Patent No.:** **US D953,112 S**

(45) **Date of Patent:** **** May 31, 2022**

(54) **PUSHER FOR FOOD PRODUCTS CUTTER**

3,869,773 A * 3/1975 Gneiding A47K 5/09
407/29.13

(71) Applicant: **Lamb Weston, Inc.**, Eagle, ID (US)

4,387,111 A * 6/1983 Mullender A23L 19/05
426/615

(72) Inventors: **Samuel Monk**, Richland, WA (US);
Grayden Howard, Richland, WA (US);
Mark Fow, Kennewick, WA (US)

(Continued)

Primary Examiner — Ricky Pham

(74) *Attorney, Agent, or Firm* — Ryan T. Grace; Advent,
LLP

(73) Assignee: **LAMB WESTON, INC.**, Eagle, ID
(US)

(57) **CLAIM**

(**) Term: **15 Years**

The ornamental design for a pusher for food products cutter,
as shown and described.

(21) Appl. No.: **29/694,753**

DESCRIPTION

(22) Filed: **Jun. 13, 2019**

(51) **LOC (13) Cl.** **31-00**

(52) **U.S. Cl.**
USPC **D7/412**; D7/376; D7/383; D7/384;
D7/385

(58) **Field of Classification Search**

USPC D7/372, 376–386, 412–413, 602, 629,
D7/665–666, 669, 679, 693–694

CPC .. A01G 3/002; A21C 1/02; A21C 1/04; A23L
19/05; A23N 1/00; A23N 1/02; A47J
43/04; A47J 43/25; A47J 43/27; A47J
43/042; A47J 43/044; A47J 43/046; A47J
43/075; A47J 43/0705; A47J 43/0722;
A47J 43/0727; A47K 5/09; B01F 3/00;
B01F 3/0807; B01F 3/0853; B01F
13/0059; B01F 13/0064; B02C 1/08;
B02C 2/04; B02C 4/42; B02C 4/142;
B02C 4/143; B02C 4/423; B02C 13/1835;
B26B 3/04; B28C 5/10; B28C 5/12;
B28C 5/14; B28C 5/16; B26D 1/0006;
B26D 3/11; B26D 3/20

See application file for complete search history.

FIG. 1 is an isometric view of a pusher for food products
cutter.

FIG. 2 is another isometric view of the pusher for food
products cutter of FIG. 1.

FIG. 3 is a top plan view of the pusher for food products
cutter of FIG. 1.

FIG. 4 is a bottom view of the pusher for food products
cutter of FIG. 1.

FIG. 5 is a front elevation view of the pusher for food
products cutter of FIG. 1.

FIG. 6 is a rear elevation view of the pusher for food
products cutter of FIG. 1.

FIG. 7 is a left side elevation view of the pusher for food
products cutter of FIG. 1.

FIG. 8 is a right side elevation view of a pusher for food
products cutter.

FIG. 9 is an environmental isometric view of the pusher for
food products cutter of FIG. 1; and,

FIG. 10 is another environmental isometric view of the
pusher for food products cutter of FIG. 1.

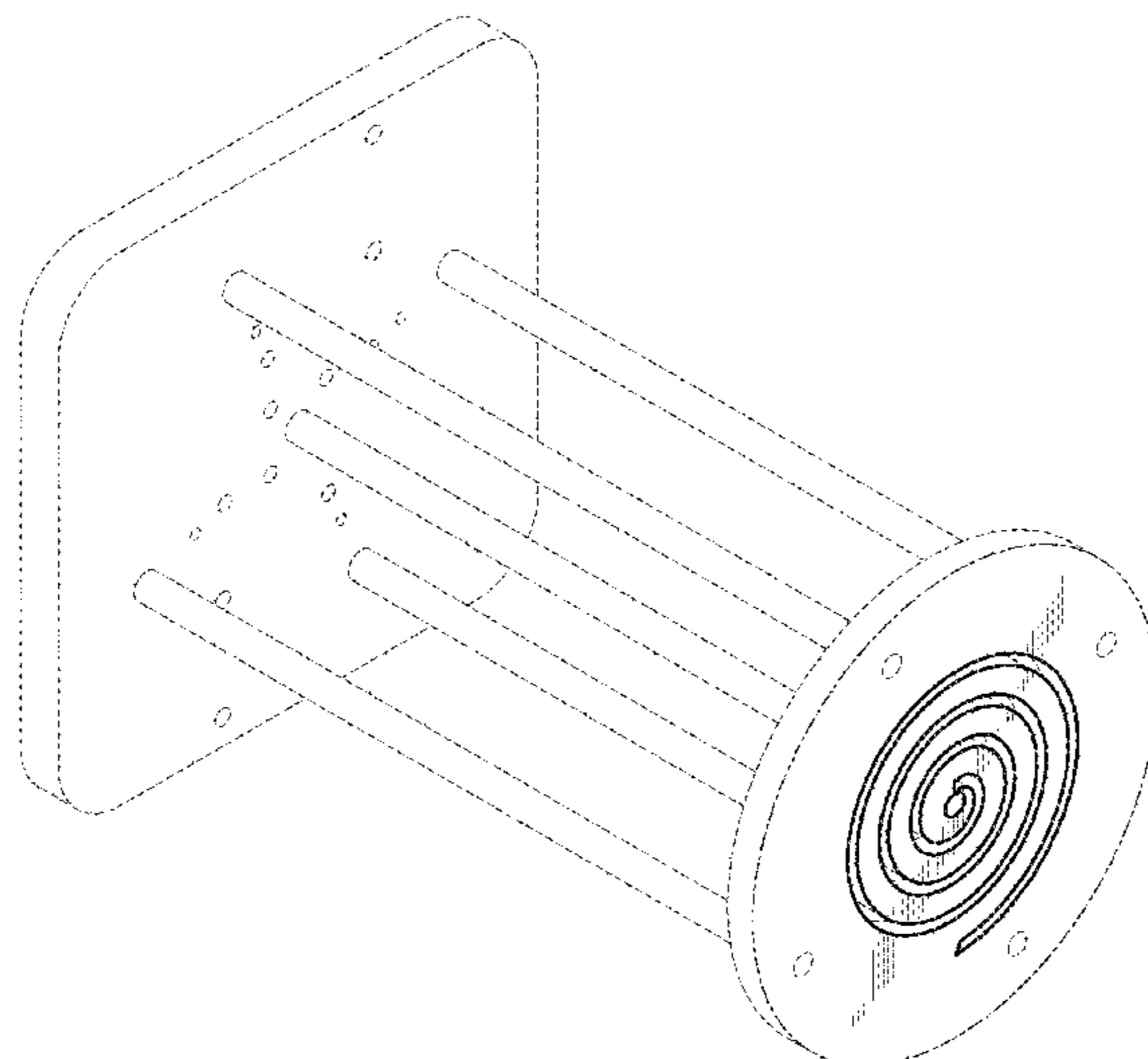
Portions of FIGS. 1 through 10 are shown in broken lines
illustrating portions of the article that form no part of the
claimed design, and dash-dot-dash lines illustrating bound-
aries of the claim that form no part thereof. The dash-dot-
dot-dash lines in FIGS. 9 and 10 are directed to environment
and form no part of the claimed design.

(56) **References Cited**

U.S. PATENT DOCUMENTS

3,687,688 A * 8/1972 Stapley et al. B26D 3/20
426/302

1 Claim, 10 Drawing Sheets



(56)

References Cited

U.S. PATENT DOCUMENTS

5,097,735 A * 3/1992 Mendenhall B26D 3/11
83/356.1
5,121,679 A * 6/1992 Mertz B26B 3/04
83/425.3
5,293,803 A * 3/1994 Foster B26D 1/0006
83/356.3
5,960,709 A * 10/1999 Yip A47J 43/0705
241/199.12
6,494,392 B1 * 12/2002 Vedefors A01G 3/002
241/101.78
7,513,450 B2 * 4/2009 Young B26D 1/0006
241/282.1
D895,359 S * 9/2020 Julian D7/412
D896,031 S * 9/2020 Monk D7/412
D896,032 S * 9/2020 Monk D7/412
D924,019 S * 7/2021 Julian D7/693

* cited by examiner

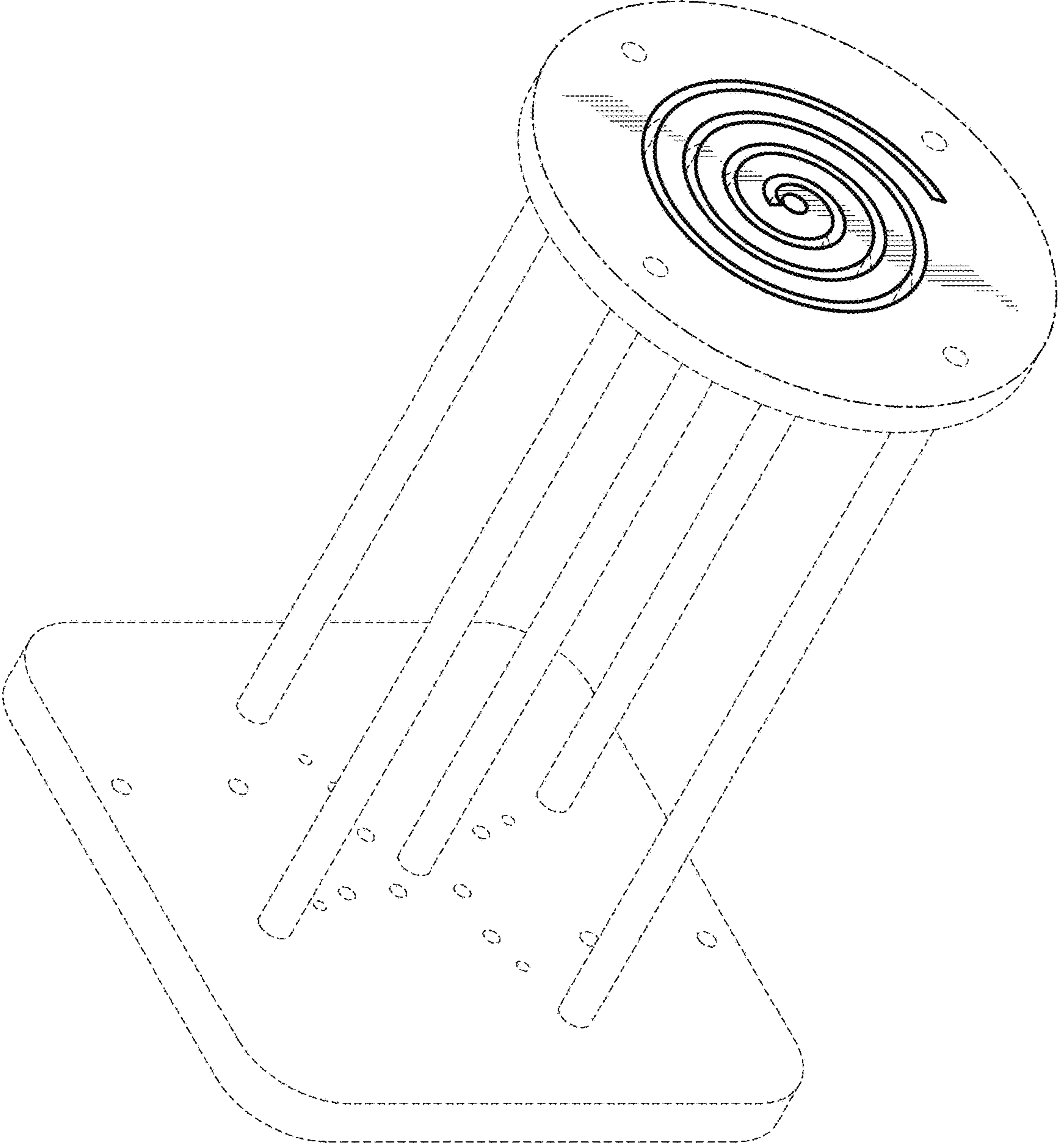


FIG. 1

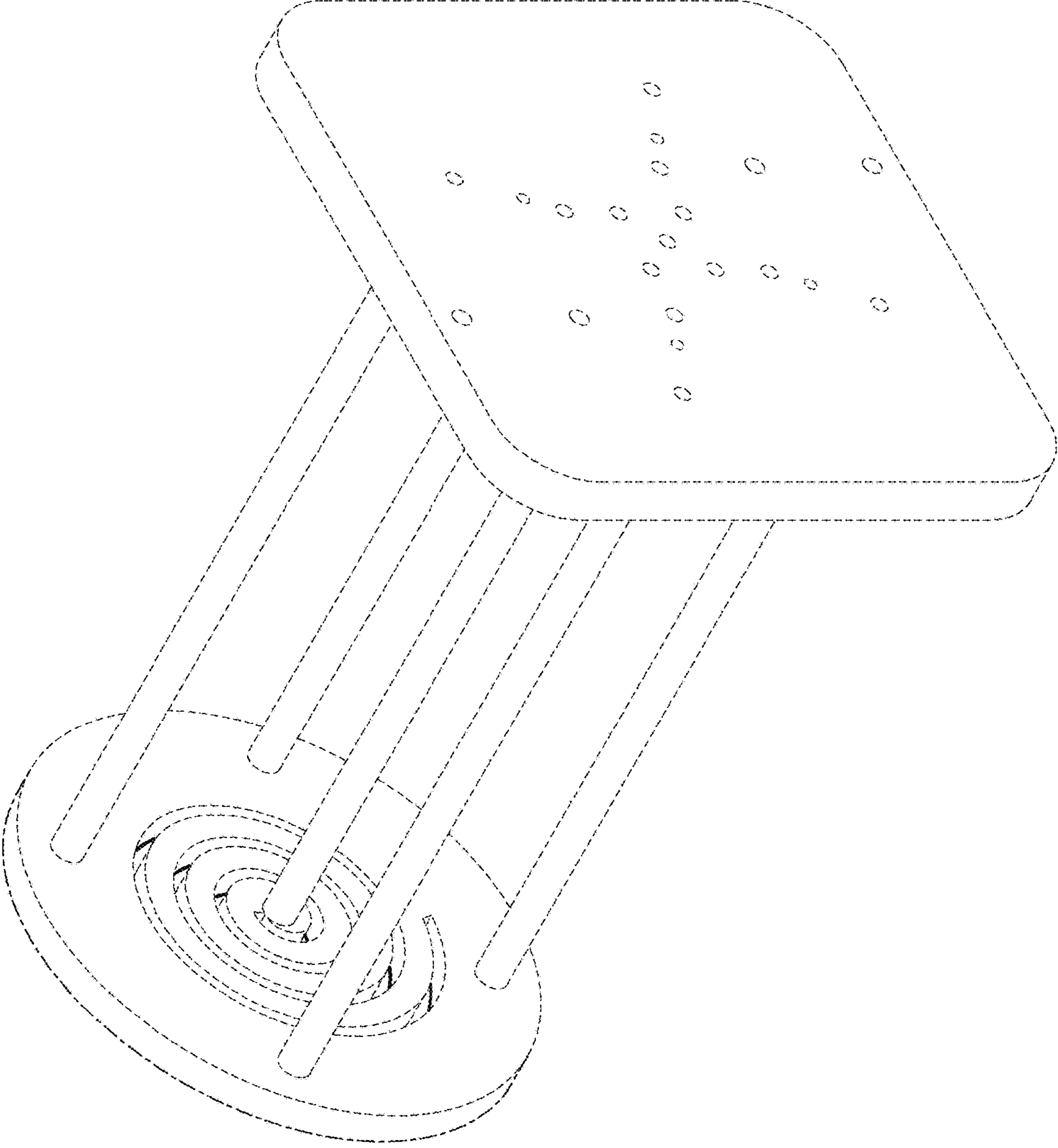


FIG. 2

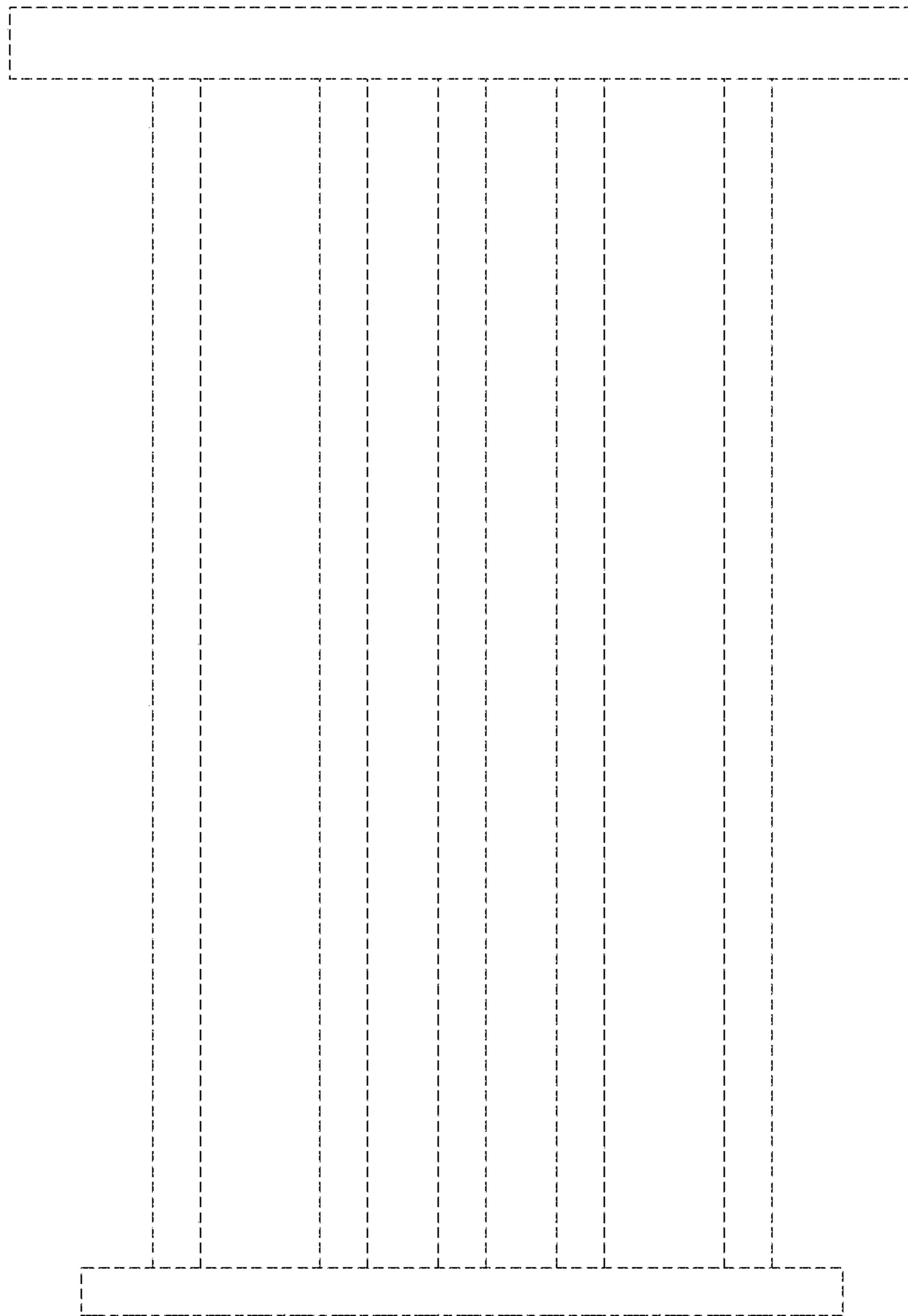


FIG. 3

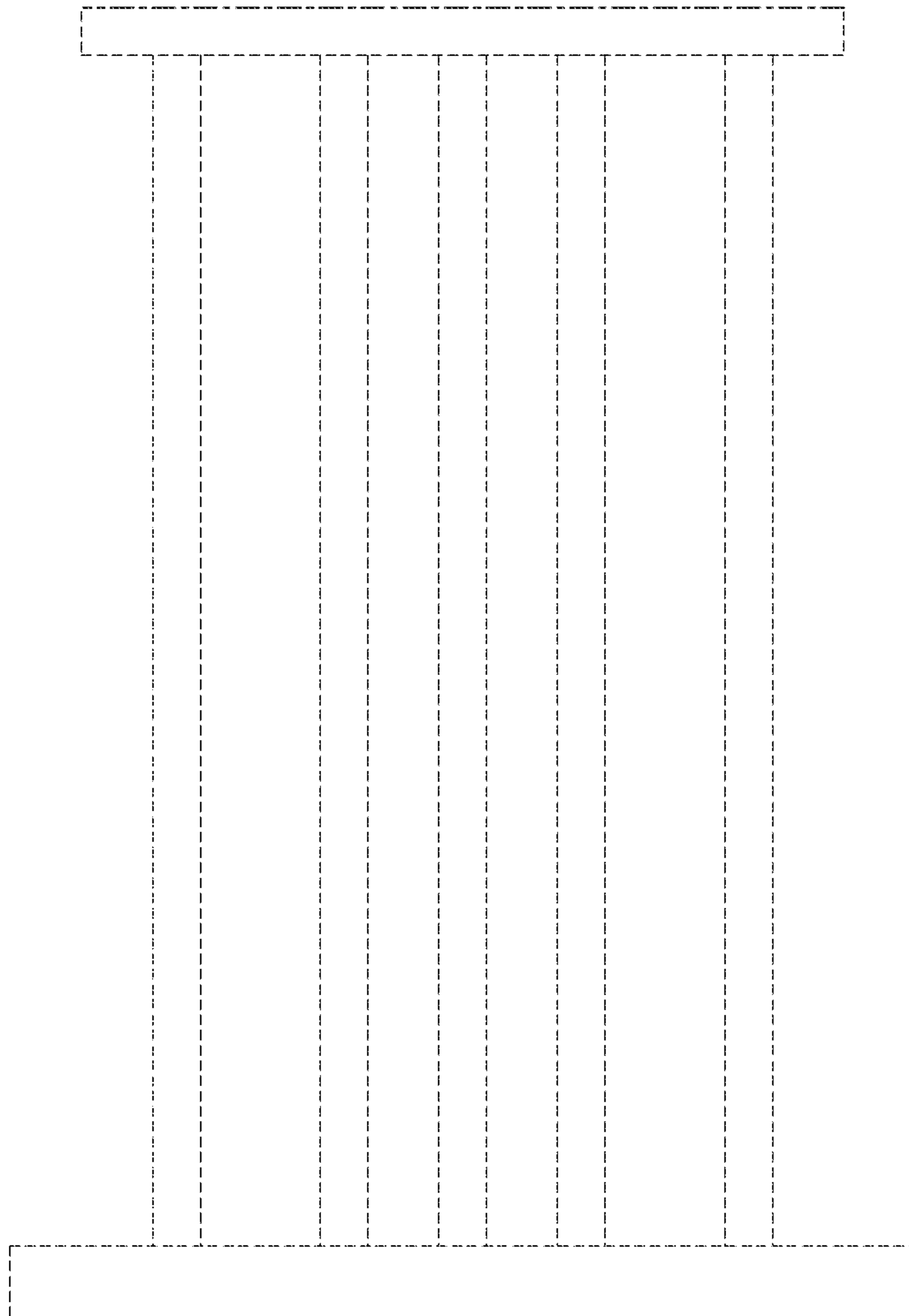


FIG. 4

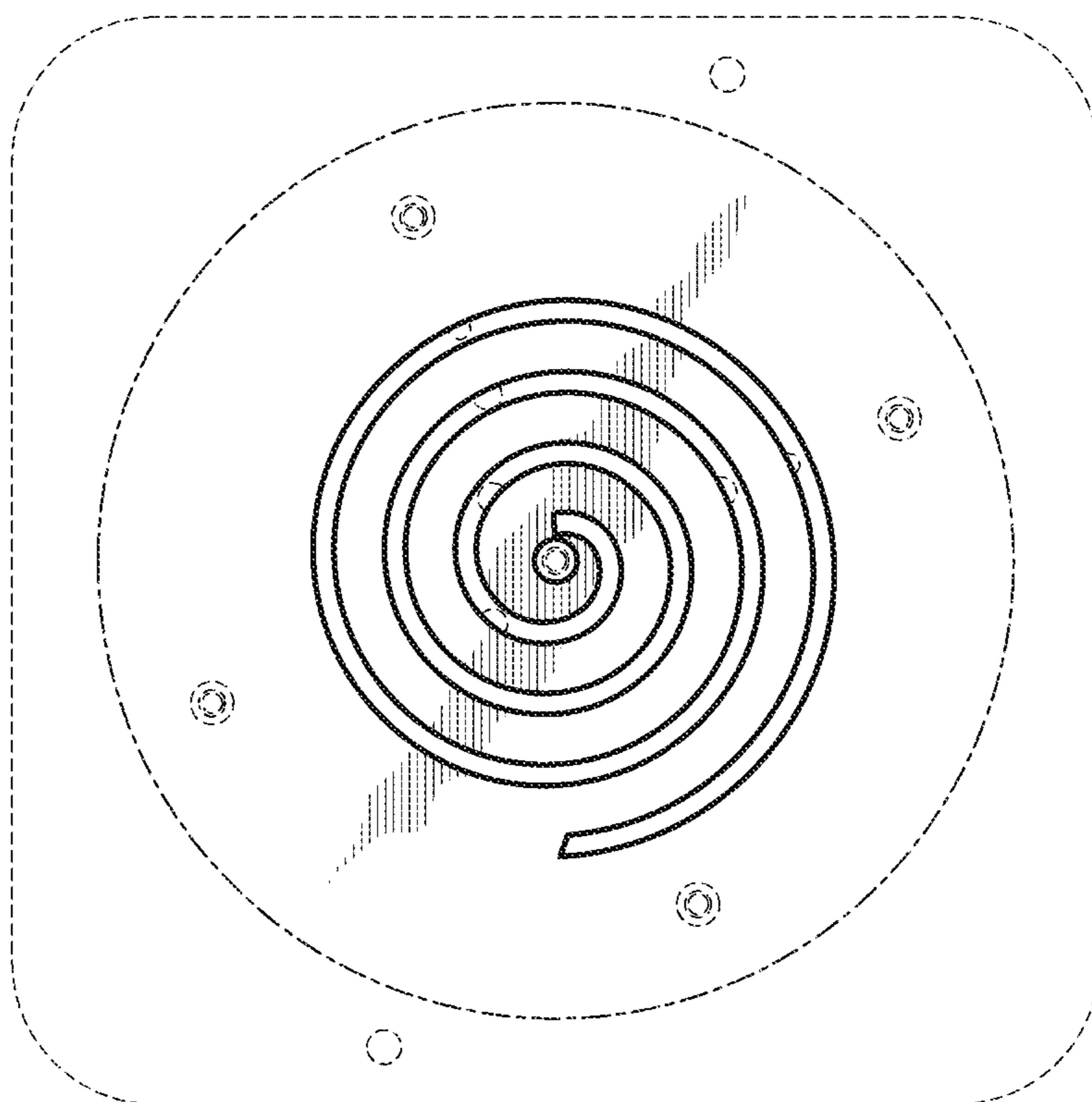


FIG. 5

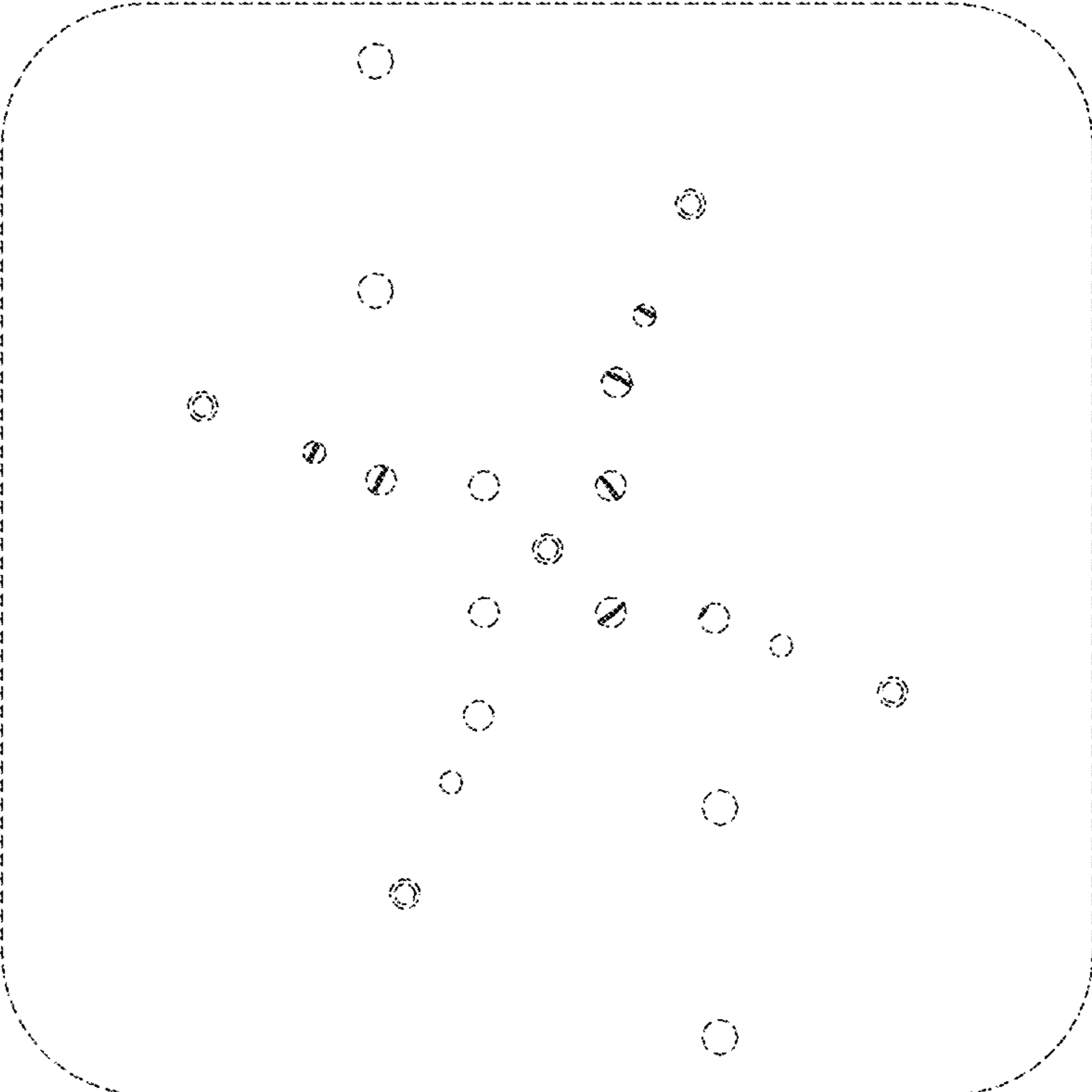


FIG. 6

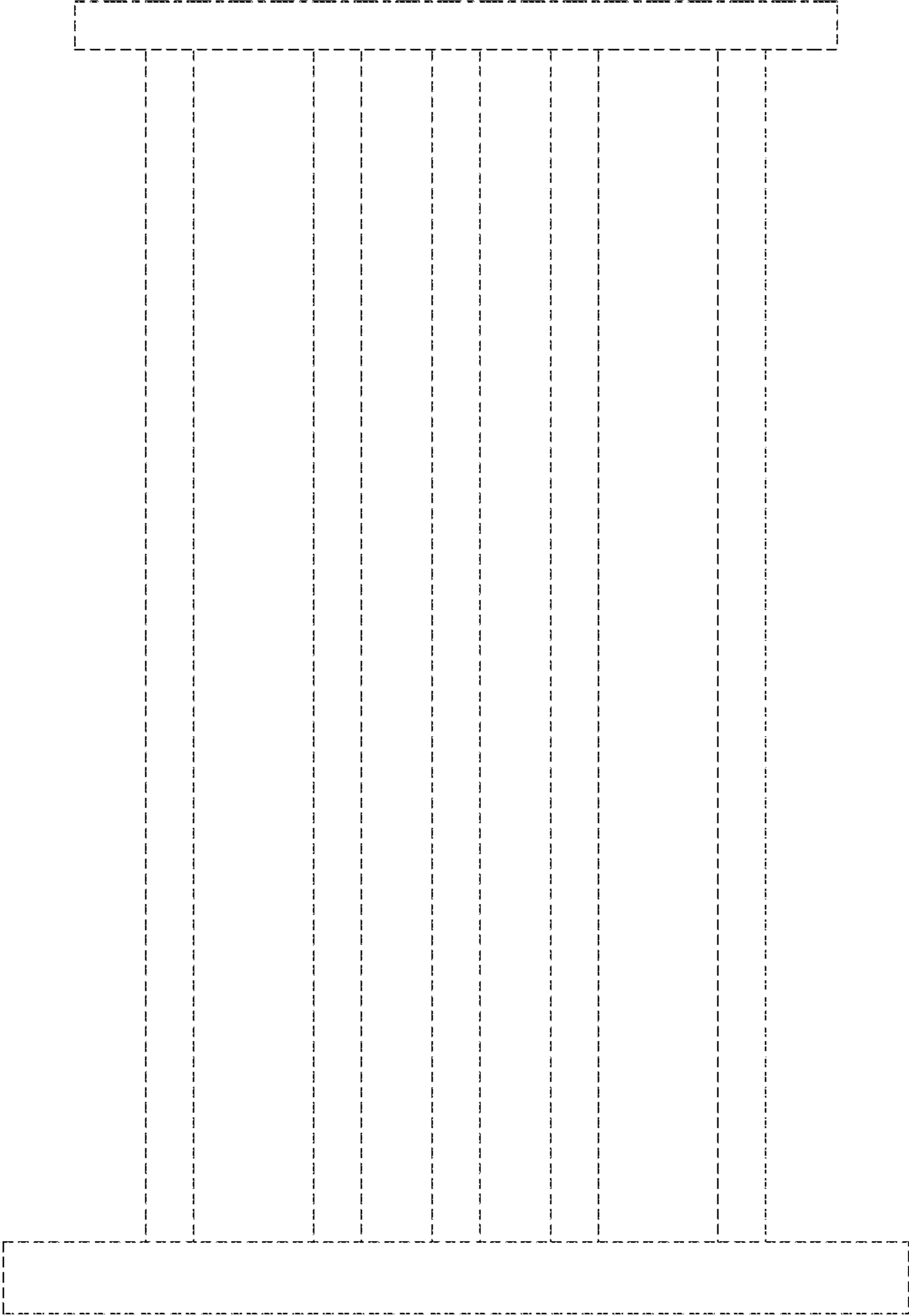


FIG. 7

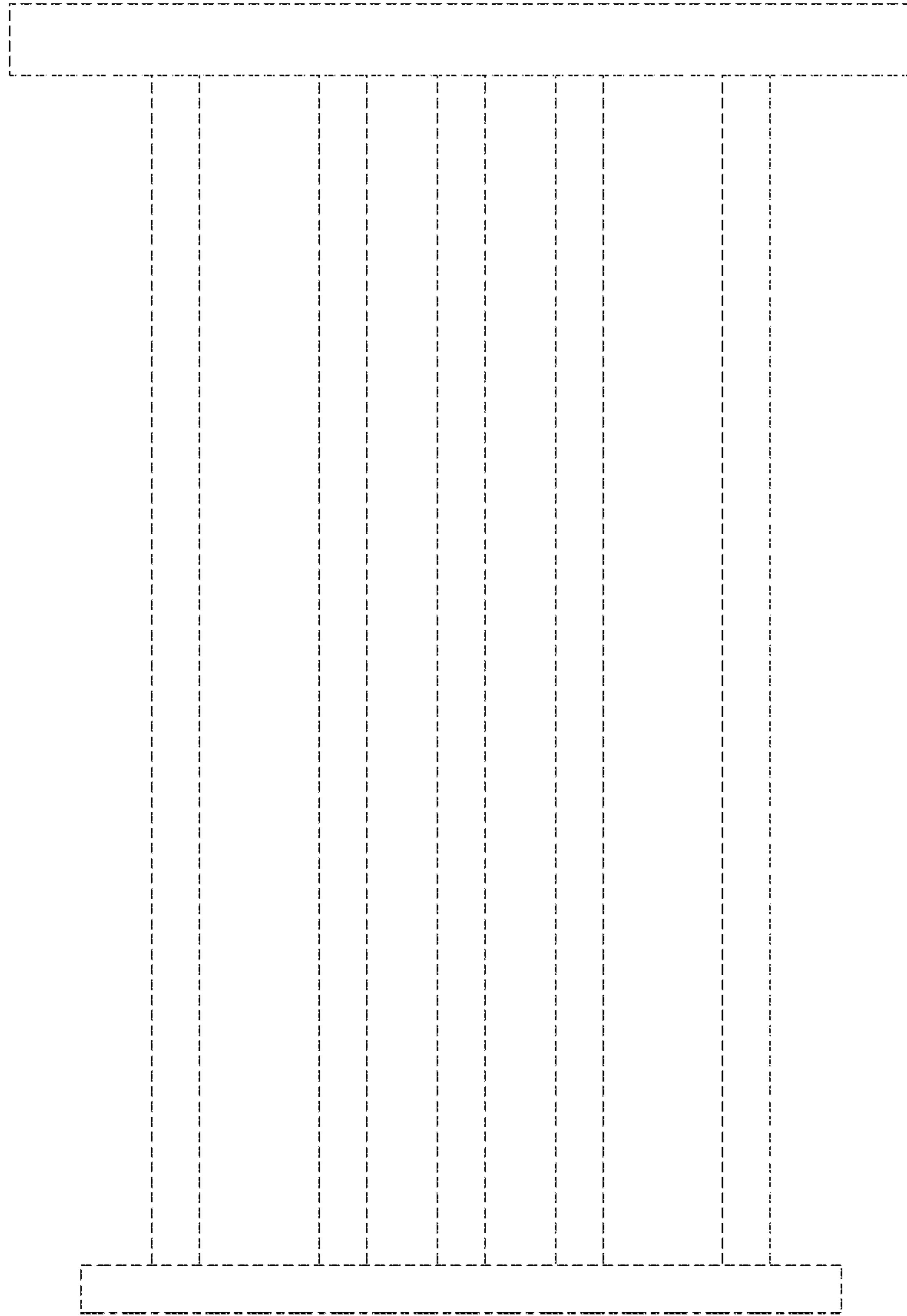


FIG. 8

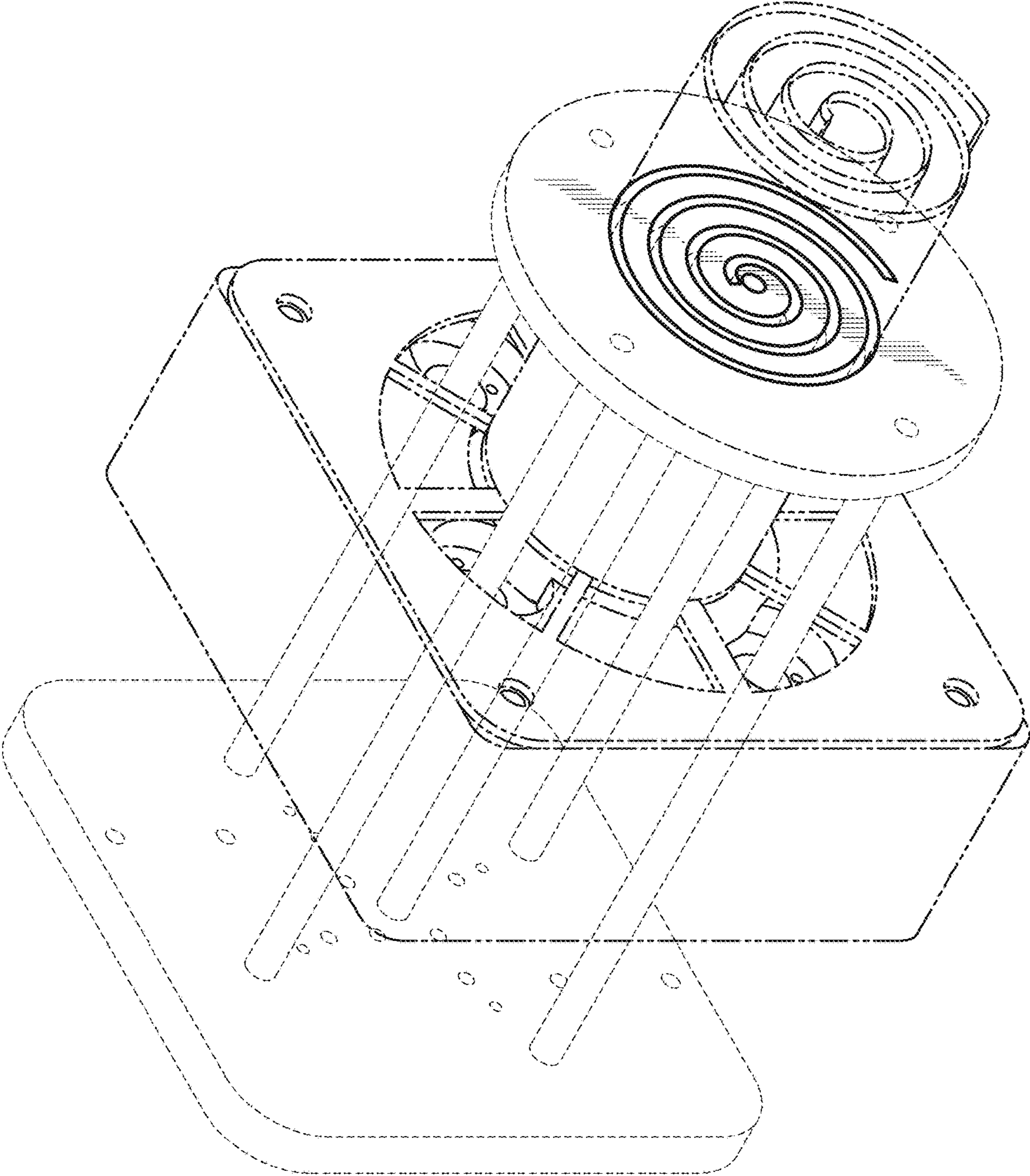


FIG. 9

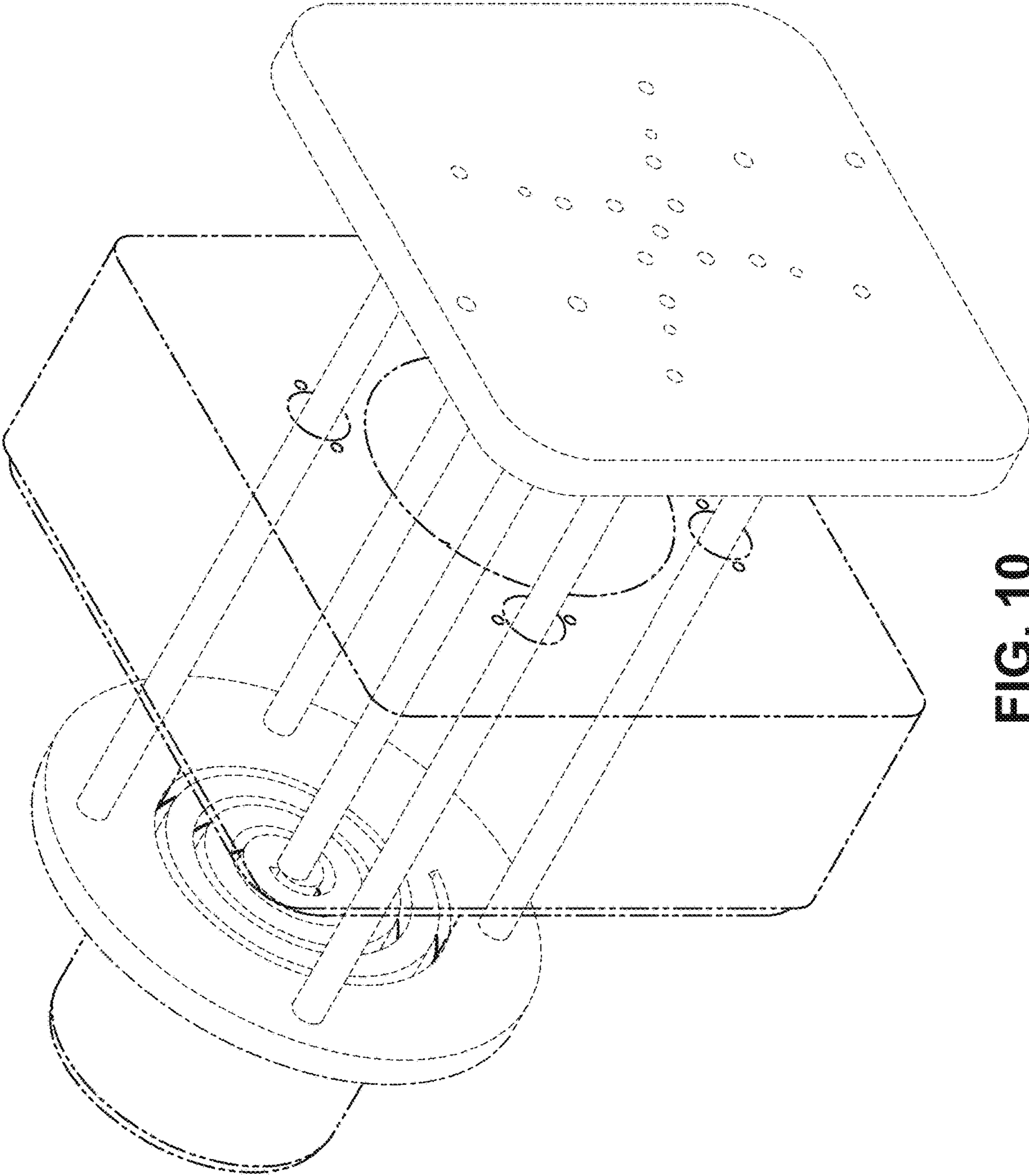


FIG. 10