



US00D953111S

(12) **United States Design Patent** (10) **Patent No.:** **US D953,111 S**
Schilt et al. (45) **Date of Patent:** **** May 31, 2022**

(54) **CONTROLLER FOR COOKING APPARATUS**

FOREIGN PATENT DOCUMENTS

(71) Applicant: **Weber-Stephen Products LLC**,
Palatine, IL (US)

CN 209186432 8/2019

(72) Inventors: **Angela Schilt**, Mundelein, IL (US);
Kevin Glennon, Hoffman Estates, IL
(US); **Jonas Lagerstedt**, Brooklyn, NY
(US); **Nikhil Bhogal**, San Francisco,
CA (US); **Dustin Mierau**, Portland, OR
(US)

OTHER PUBLICATIONS

Design No. 301110124, Jul. 29, 2008—China National Intellectual
Property Administration (CNIPA) Publication Date—Jan. 13, 2010
Owner—Wolf Dyer Engineering Co., Ltd., Designer—Sydney Backhaus
WIPO, available at <https://www3.wipo.int/designdb/en/index.jsp> (Year:
2010).*

(73) Assignee: **WEBER-STEPHEN PRODUCTS
LLC**, Palatine, IL (US)

(Continued)

(**) Term: **15 Years**

Primary Examiner — Mary Ann Calabrese

Assistant Examiner — Natalya M Rapundalo

(21) Appl. No.: **29/772,140**

(74) *Attorney, Agent, or Firm* — Hanley, Flight &
Zimmerman, LLC

(22) Filed: **Feb. 26, 2021**

Related U.S. Application Data

(57) **CLAIM**

(63) Continuation of application No. 29/694,208, filed on
Jun. 7, 2019, now Pat. No. Des. 915,141.

The ornamental design for a controller for cooking appara-
tus, as shown and described.

(51) **LOC (13) Cl.** **07-02**

(52) **U.S. Cl.**
USPC **D7/406**

DESCRIPTION

(58) **Field of Classification Search**
USPC D7/323, 327, 332–339, 354, 362, 366,
D7/387, 391, 402–409, 704; D10/52, 57;
D23/209, 332, 335, 343
CPC .. A47J 33/00; A47J 36/06; A47J 37/00; A47J
37/04; A47J 37/048; A47J 37/049; A47J
37/07; A47J 37/0704; A47J 37/0713;
A47J 37/0718; A47J 37/0727; A47J
37/0745;

FIG. 1 is a front right perspective view of a controller for
cooking apparatus, shown coupled to a panel of a cooking
apparatus in an environment of use.

FIG. 2 is a front left perspective view of the controller of
FIG. 1.

FIG. 3 is a rear perspective view of the controller of FIG. 1.

FIG. 4 is a front view of the controller of FIG. 1.

FIG. 5 is a rear view of the controller of FIG. 1.

FIG. 6 is a right side view of the controller of FIG. 1.

FIG. 7 is a left side view of the controller of FIG. 1.

FIG. 8 is a top view of the controller of FIG. 1; and,

FIG. 9 is a bottom view of the controller of FIG. 1.

The features shown in broken lines represent portions of the
controller for cooking apparatus and form no part of the
claimed design.

(Continued)

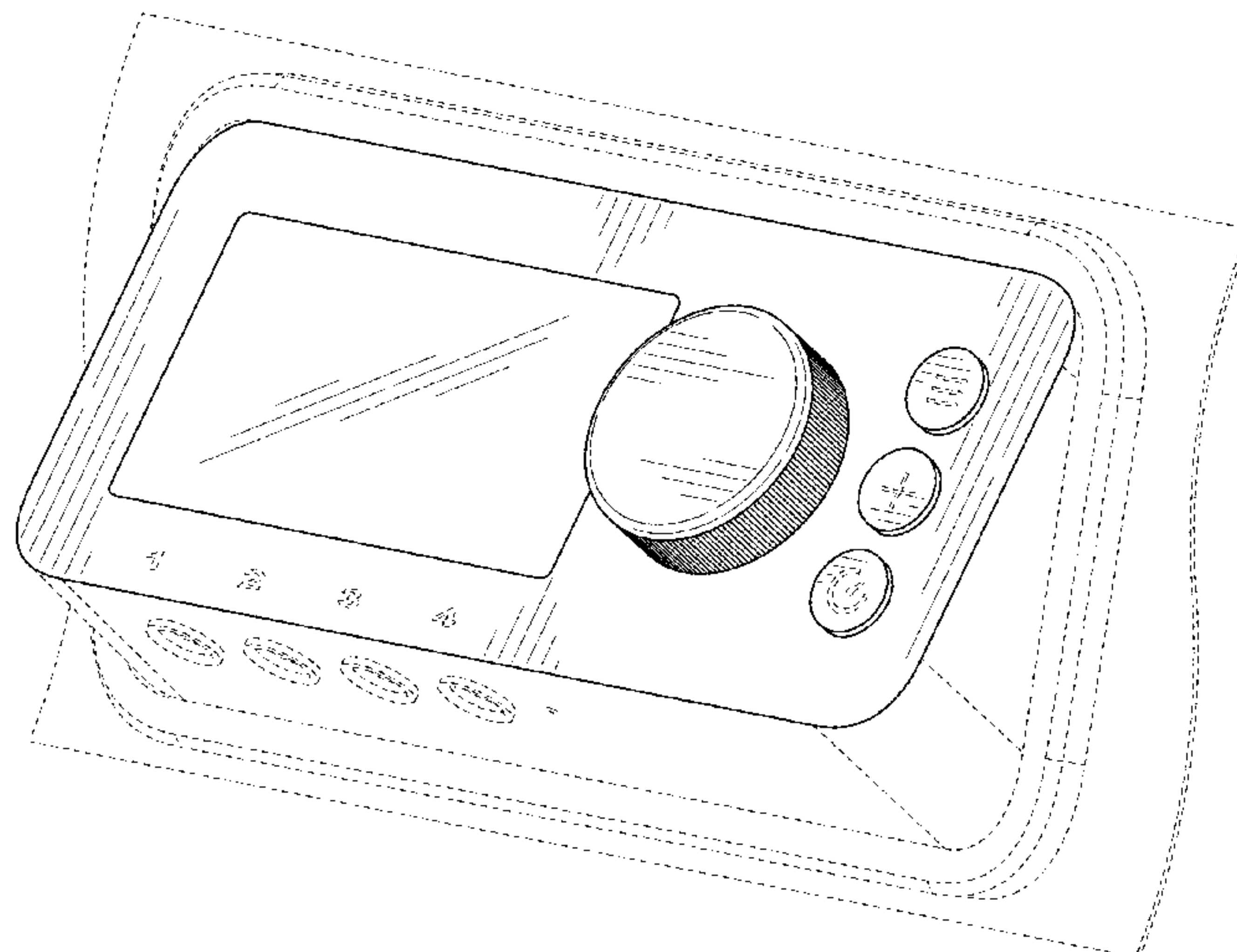
(56) **References Cited**

U.S. PATENT DOCUMENTS

6,223,737 B1 5/2001 Buckner
D582,862 S 12/2008 Landerholm et al.

(Continued)

1 Claim, 9 Drawing Sheets



(58) **Field of Classification Search**

CPC A47J 37/0763; A47J 37/0777; A47J 37/0786; A47J 37/10; A47J 37/103; A47J 37/106; A47J 2201/00; A47J 2202/00; F24C 1/16; A23B 4/044; A23B 4/052

See application file for complete search history.

(56) **References Cited**

U.S. PATENT DOCUMENTS

7,900,553	B1	3/2011	Maurin	
8,833,360	B2	9/2014	Knight	
D731,132	S	6/2015	Ha et al.	
D733,483	S	7/2015	Baker et al.	
9,186,020	B1	11/2015	Phillips	
D760,539	S	7/2016	Colston	
9,585,518	B1	3/2017	Phillips	
9,635,978	B2	5/2017	Measom et al.	
9,913,559	B2	3/2018	Polter et al.	
10,105,007	B2	10/2018	Colston et al.	
10,213,051	B2	2/2019	Colston et al.	
10,330,322	B2	6/2019	Measom et al.	
D878,936	S	3/2020	Yu	
D880,901	S	4/2020	Raad et al.	
D914,428	S *	3/2021	Bennion	D7/334
D914,429	S *	3/2021	Bennion	D7/334
D914,444	S *	3/2021	Schilt	D7/406
D914,445	S *	3/2021	Schilt	D7/406
D914,446	S *	3/2021	Schilt	D7/406
D915,120	S *	4/2021	Bennion	D7/334
D915,812	S *	4/2021	Bennion	D7/334
D921,426	S *	6/2021	Tinney	D7/402
D926,056	S *	7/2021	Lagerstedt	D10/57
11,125,438	B1 *	9/2021	Pruitt	A47J 37/0704
D935,907	S *	11/2021	Yu	F23N 5/242 D10/57
2013/0174834	A1	7/2013	Measom et al.	
2013/0298894	A1	11/2013	Kleinsasser	
2017/0065124	A1	3/2017	Colston	
2017/0164783	A1	6/2017	Sauerwein et al.	
2018/0168395	A1	6/2018	Colston	
2018/0168397	A1	6/2018	Colston	
2018/0338351	A1 *	11/2018	Schmeski	F24C 15/103
2019/0110641	A1	4/2019	Lee et al.	
2019/0150663	A1	5/2019	Colston et al.	
2019/0254473	A1	8/2019	Anthony et al.	
2020/0040926	A1	2/2020	Colston et al.	
2020/0240643	A1	7/2020	Donnelly et al.	
2020/0281402	A1	9/2020	Witzel et al.	
2021/0215344	A1 *	7/2021	Eckhardt	F23N 5/242

OTHER PUBLICATIONS

Weber SmokeFire review, first available Apr. 17, 2020, Engadget, [online], [site visited Jan. 24, 2022], Available from internet URL: <https://www.engadget.com/weber-smokefire-review-wifi-pellet-grill-140000499.html> (Year: 2020).*

Design No. 306439878, Nov. 23, 2020—China National Intellectual Property Administration (CNIPA) Publication Date—Apr. 6, 2021 Owner—Shenzhen Zhiyan Technology Co Ltd, Designer—Wu Xiaoting WIPO, available at <https://www3.wipo.int/designdb/en/index.jsp> (Year: 2021).*

Logan Outdoor Goods Co Ltd, Chinese Design Registration No. 305411991, issued by the China National Intellectual Property Administration, registered Nov. 1, 2019, 6 pages.

Weber-Stephen Products Co., Chinese Design Registration No. 305771754, issued by the China National Intellectual Property Administration, registered May 12, 2020, 9 pages.

Weber-Stephen Products Co., Chinese Design Registration No. 305816794, issued by the China National Intellectual Property Administration, registered Jun. 2, 2020, 17 pages.

Youtube, “Weber SmokeFire Pellet Grill Review,” first available Nov. 27, 2019, retrieved on Dec. 17, 2020 from [<https://www.youtube.com/watch?v=RSdgBebvLY&feature=youtu.be>], 1 page.

European Union Intellectual Property Office, “European Community Design Registration Nos. 007143748-0001-0004,” registered Oct. 30, 2019, 20 pages.

Broil King, “Brail King Pellet 500 pro 630 sq in Black Pellet Grill,” retrieved from [<https://www.lowes.com/pd/Broil-King-Pellet-500-630-sq-in-Black-Pellet-Grill/1000894100>] on Dec. 21, 2020, 3 pages.

Weber.com, “SmokeFire EX4 (2nd Gen) Wood Fired Pellet Grill,” retrieved from [<https://weber.com/US/en/grills/wood-pellet-grills/smokefire-series/22510201.html>] on Dec. 17, 2020, 3 pages.

Weber.com, “SmokeFire EX6 (2nd Gen) Wood Fired Pellet Grill,” retrieved from [<https://weber.com/US/en/grills/wood-pellet-grills/smokefire-series/23510201.html>] on Dec. 17, 2020, 3 pages.

IP Australia, “Certificate of Examination,” issued in connection with Australian Design No. 201916754, dated Jun. 3, 2020, 2 pages.

IP Australia, “Certificate of Registration,” issued in connection with Australian Design No. 201916754, dated Jan. 10, 2020, 12 pages.

IP Australia, “Certificate of Examination,” issued in connection with Australian Design No. 201916756, dated Jun. 3, 2020, 2 pages.

IP Australia, “Certificate of Registration,” issued in connection with Australian Design No. 201916756, dated Jan. 10, 2020, 12 pages.

IP Australia, “Certificate of Examination,” issued in connection with Australian Design No. 201916758, dated Jun. 3, 2020, 2 pages.

IP Australia, “Certificate of Registration,” issued in connection with Australian Design No. 201916758, dated Jan. 10, 2020, 12 pages.

United States Patent and Trademark Office, “Notice of Allowance and Fee(s) Due,” issued in connection with Design U.S. Appl. No. 29/694,208, dated Jan. 8, 2021, 8 pages.

United States Patent and Trademark Office, “Notice of Allowance and Fee(s) Due,” issued in connection with Design U.S. Appl. No. 29/702,176, dated Jan. 12, 2021, 8 pages.

United States Patent and Trademark Office, “Notice of Allowance and Fee(s) Due,” issued in connection with Design U.S. Appl. No. 29/702,178, dated Jan. 13, 2021, 8 pages.

United States Patent and Trademark Office, “Notice of Allowance and Fee(s) Due,” issued in connection with Design U.S. Appl. No. 29/694,210 dated Jan. 13, 2021, 8 pages.

IP Australia, “Certificate of Registration,” issued in connection with Australian Design No. 201916762, dated Jan. 10, 2020, 12 pages.

IP Australia, “Certificate of Examination,” issued in connection with Australian Design No. 201916762, dated Jun. 3, 2020, 2 pages.

Canadian Intellectual Property Office, “Notice of Registration,” issued in connection with Canadian Patent Application No. 191387, dated Feb. 9, 2022, 13 pages.

Canadian Intellectual Property Office, “Notice of Registration,” issued in connection with Canadian Patent Application No. 191391, dated Feb. 9, 2022, 13 pages.

Canadian Intellectual Property Office, “Notice of Registration,” issued in connection with Canadian Patent Application No. 191398, dated Feb. 9, 2022, 13 pages.

* cited by examiner

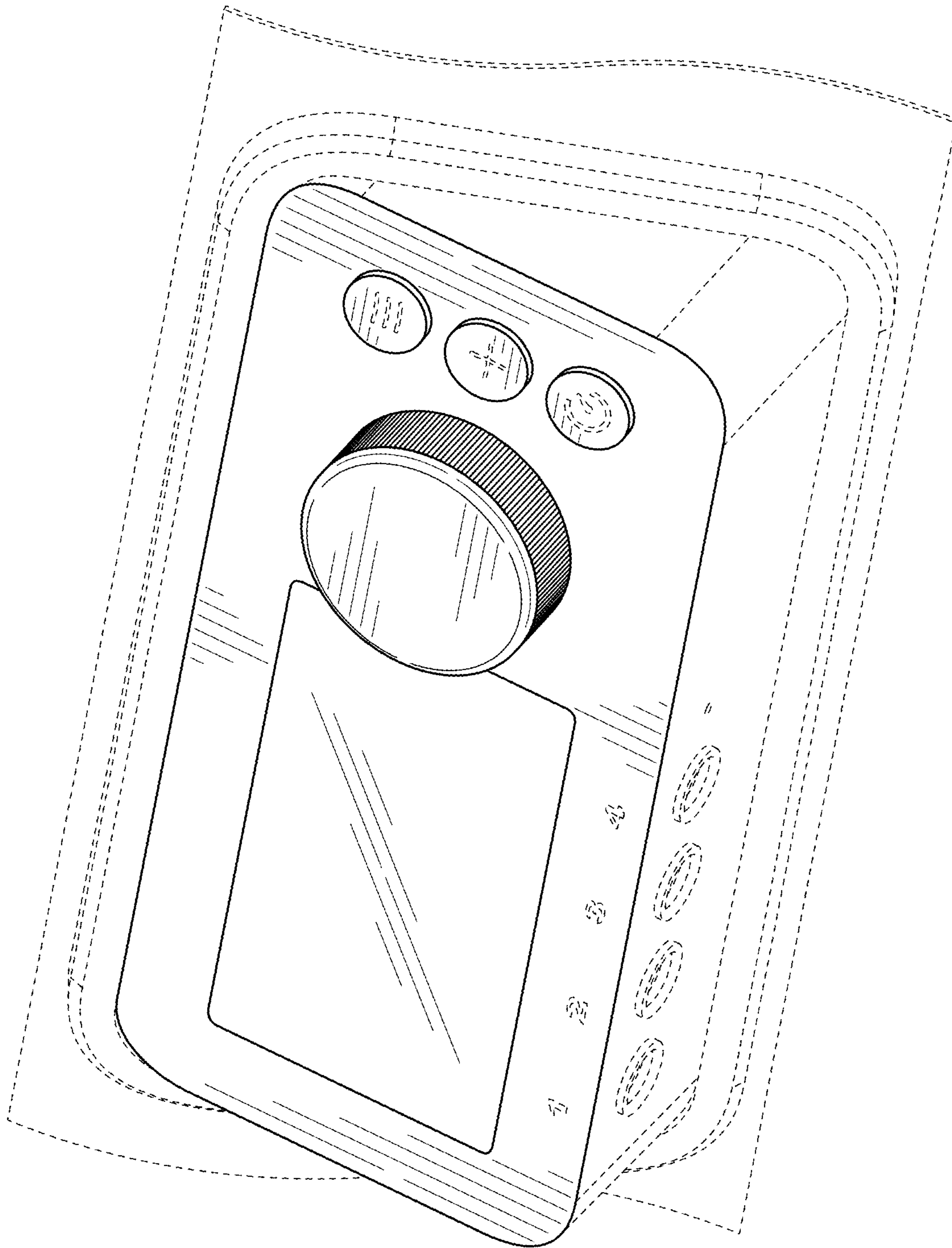


FIG. 1

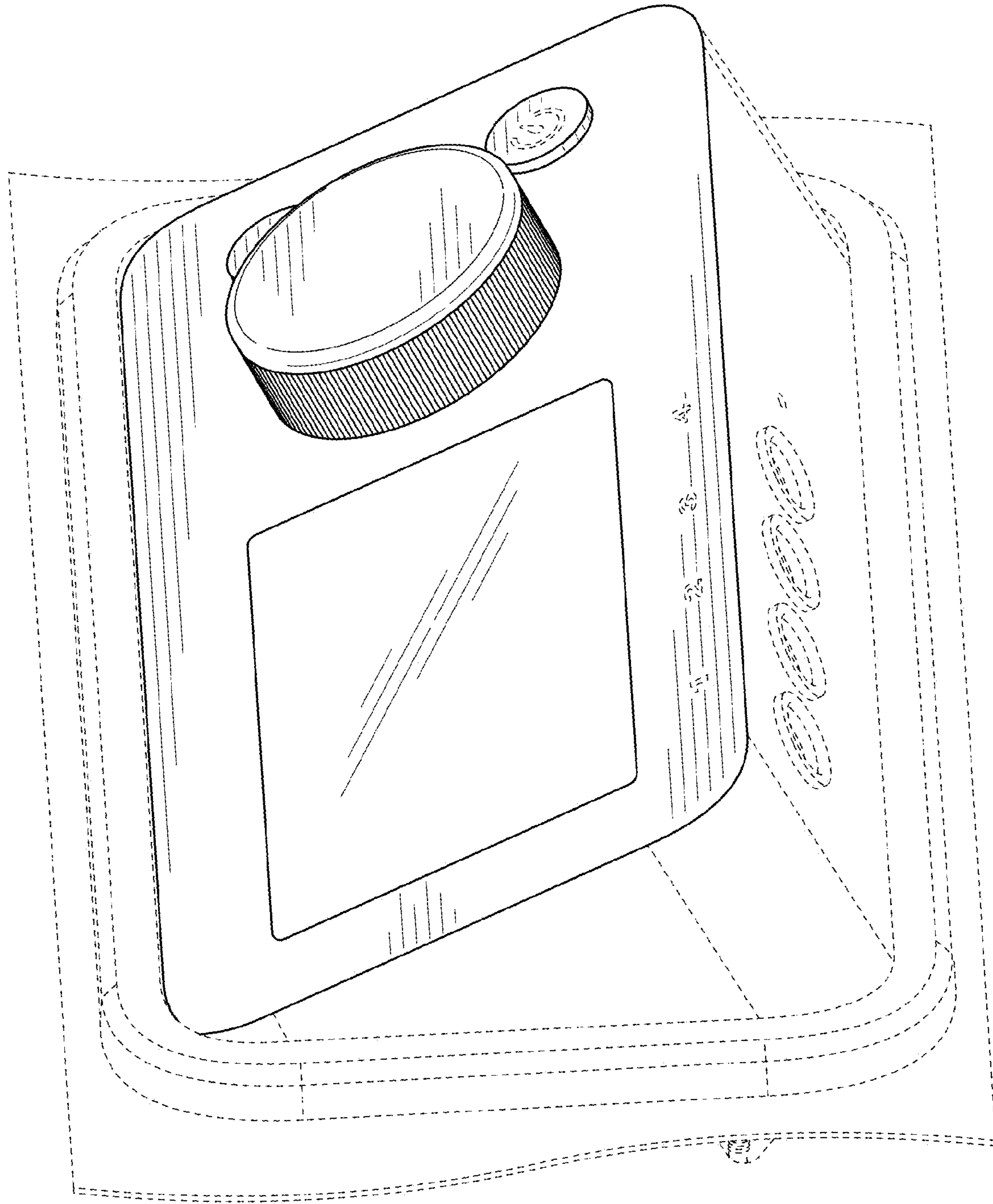


FIG. 2

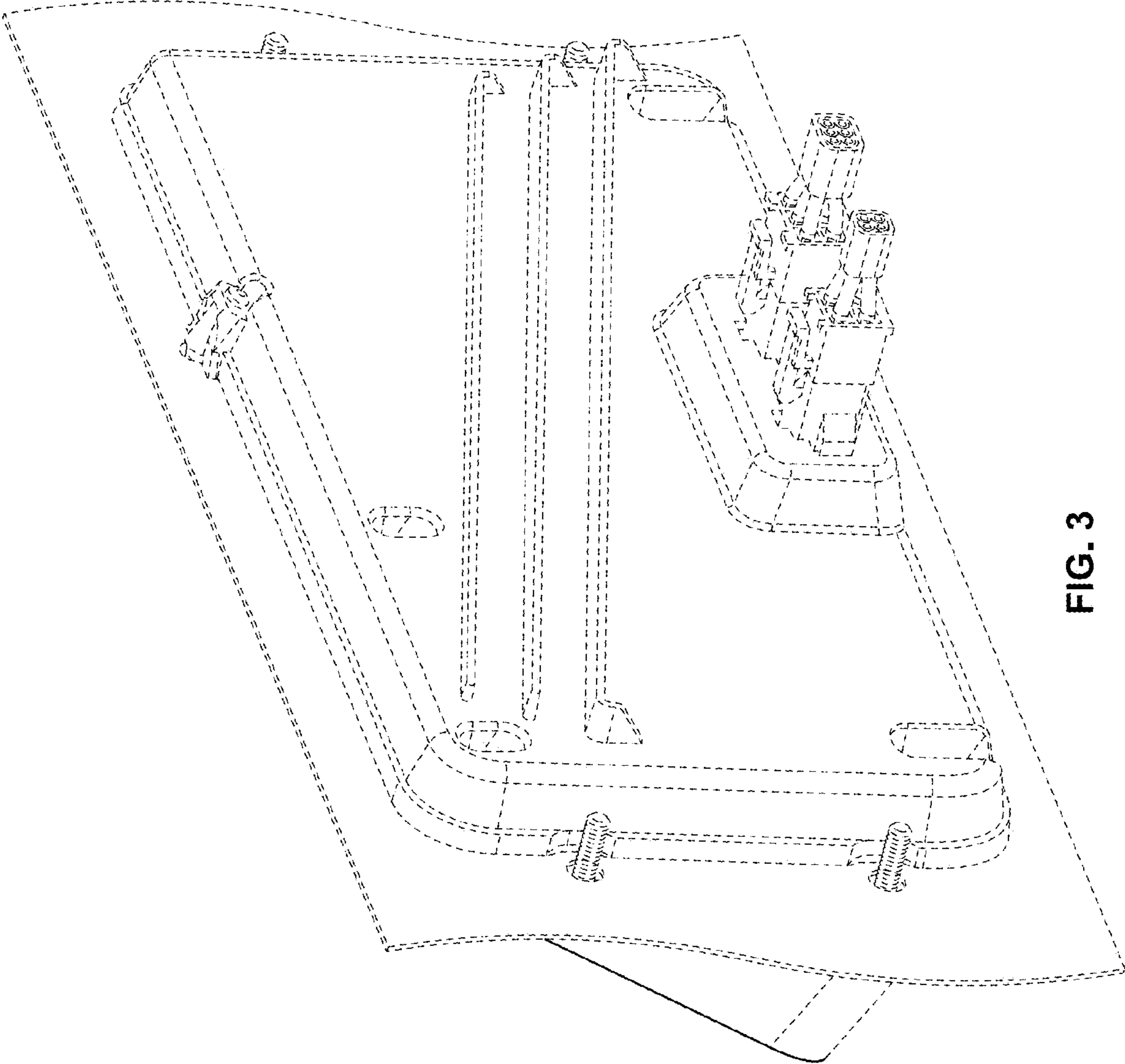


FIG. 3

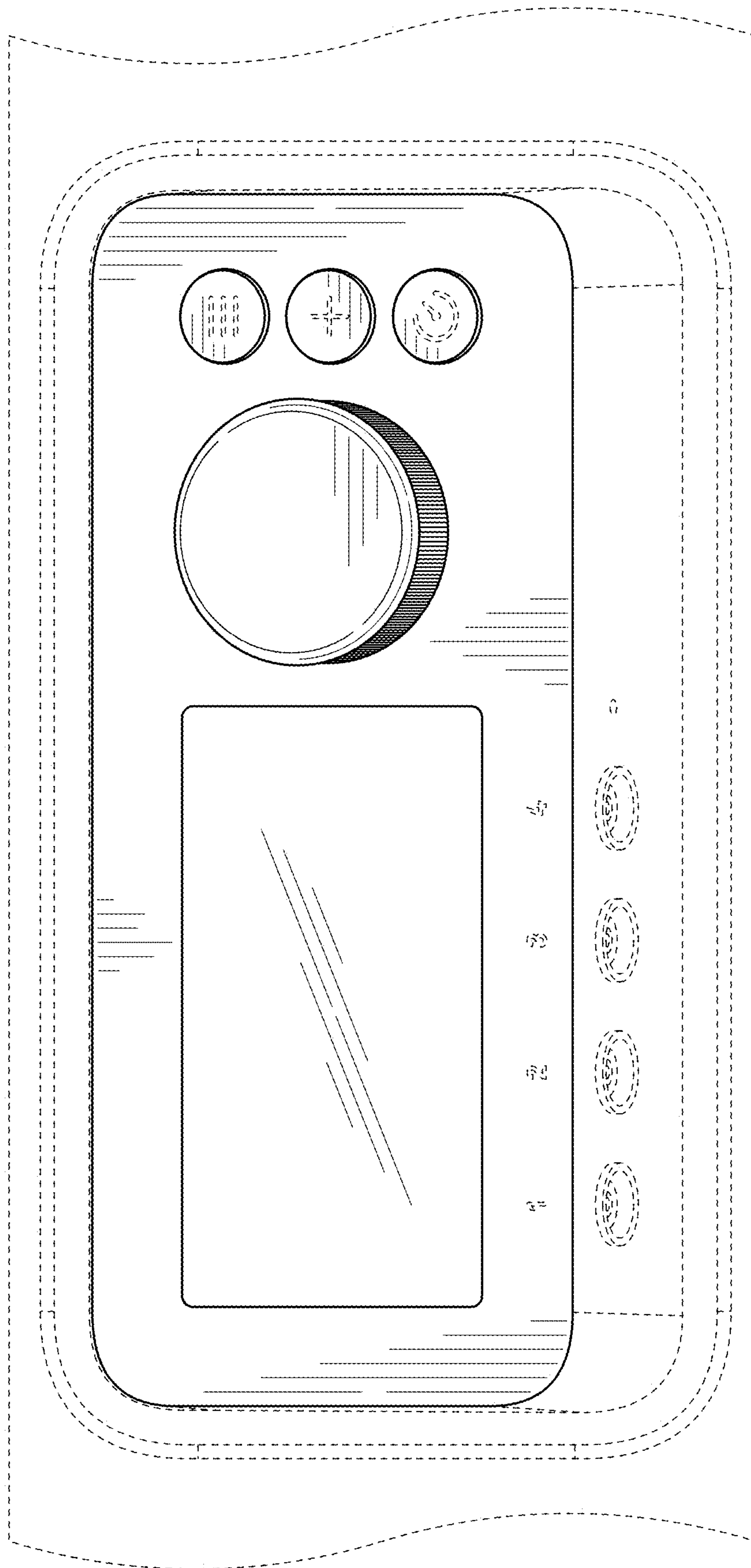


FIG. 4

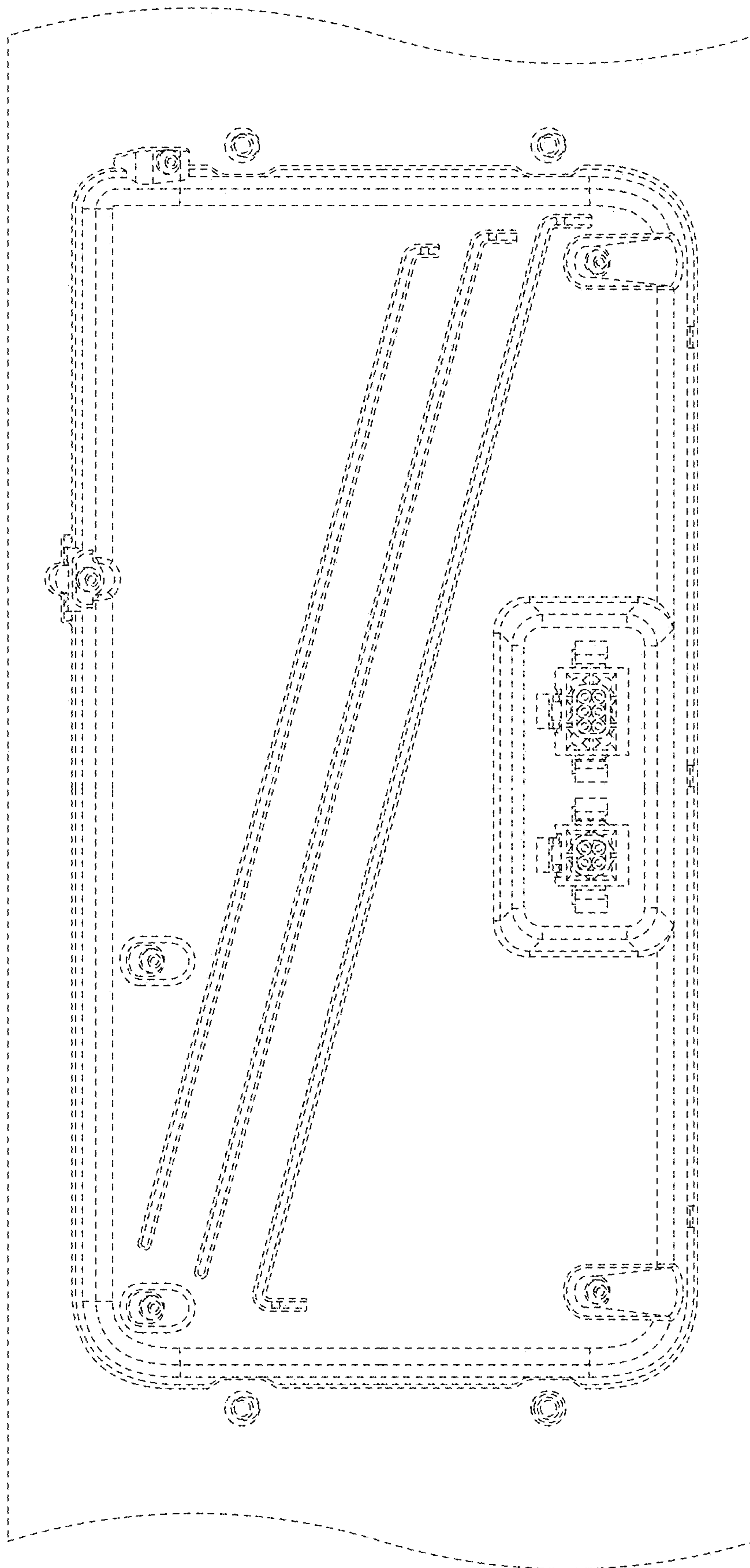


FIG. 5

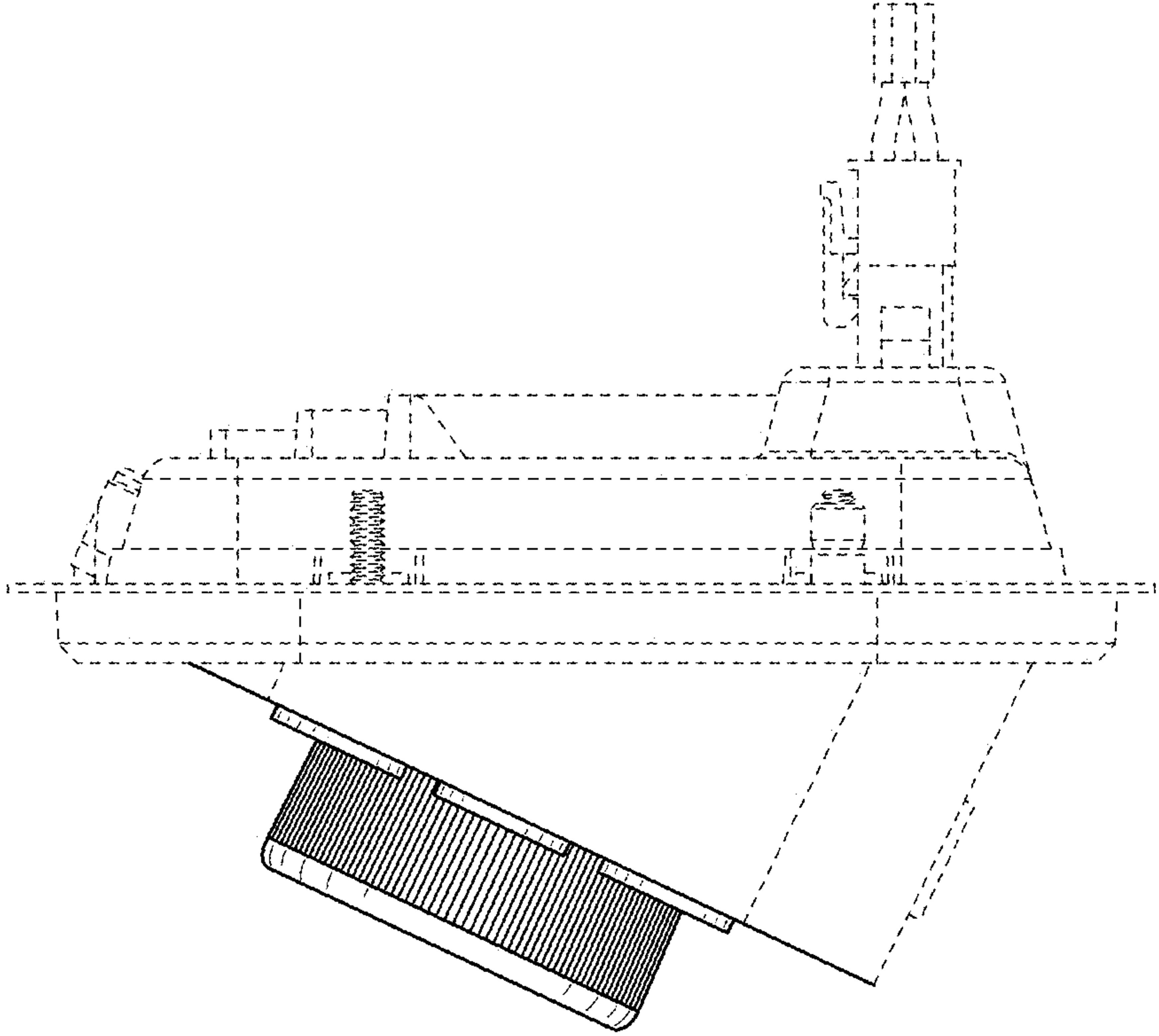


FIG. 6

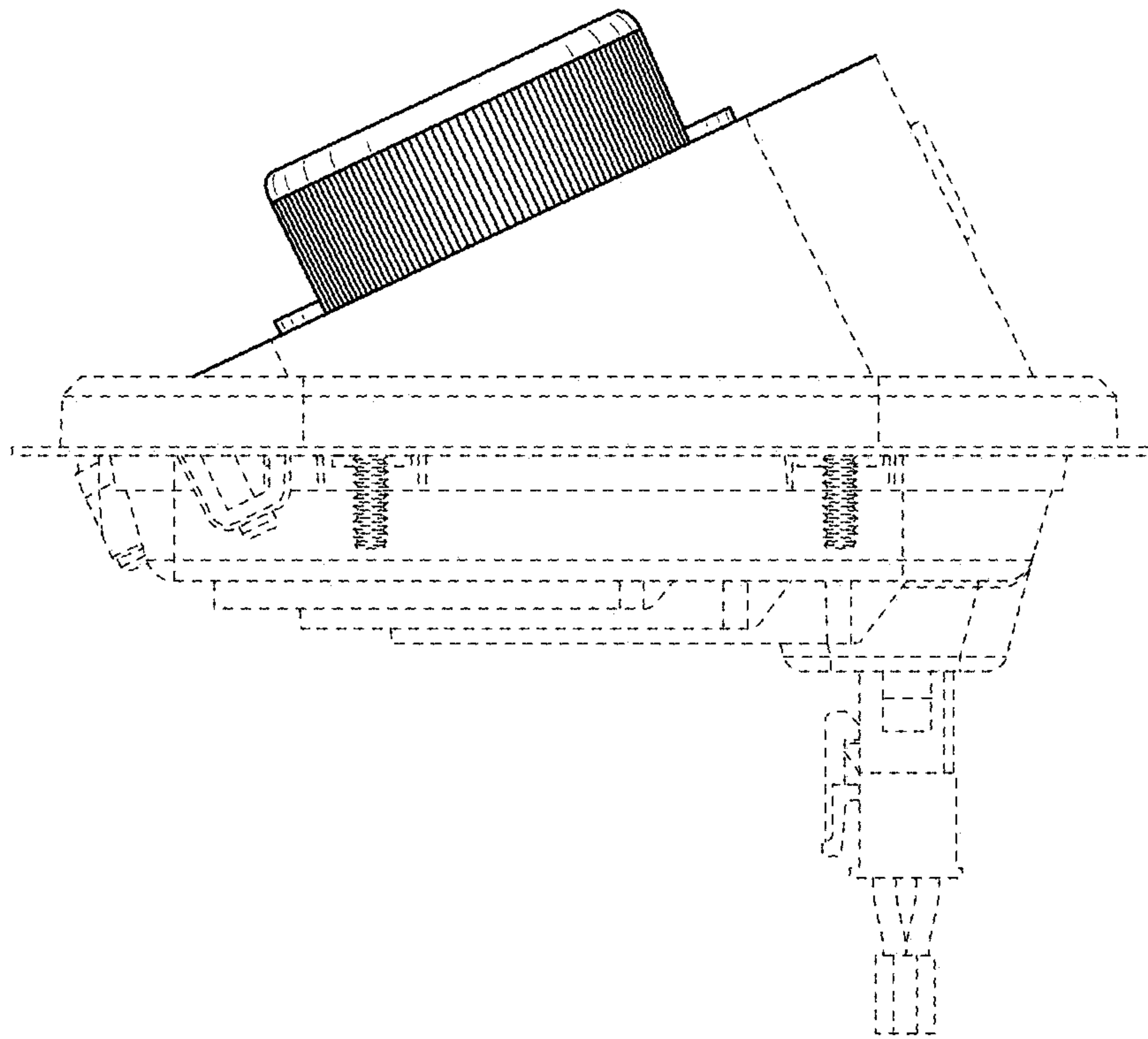


FIG. 7

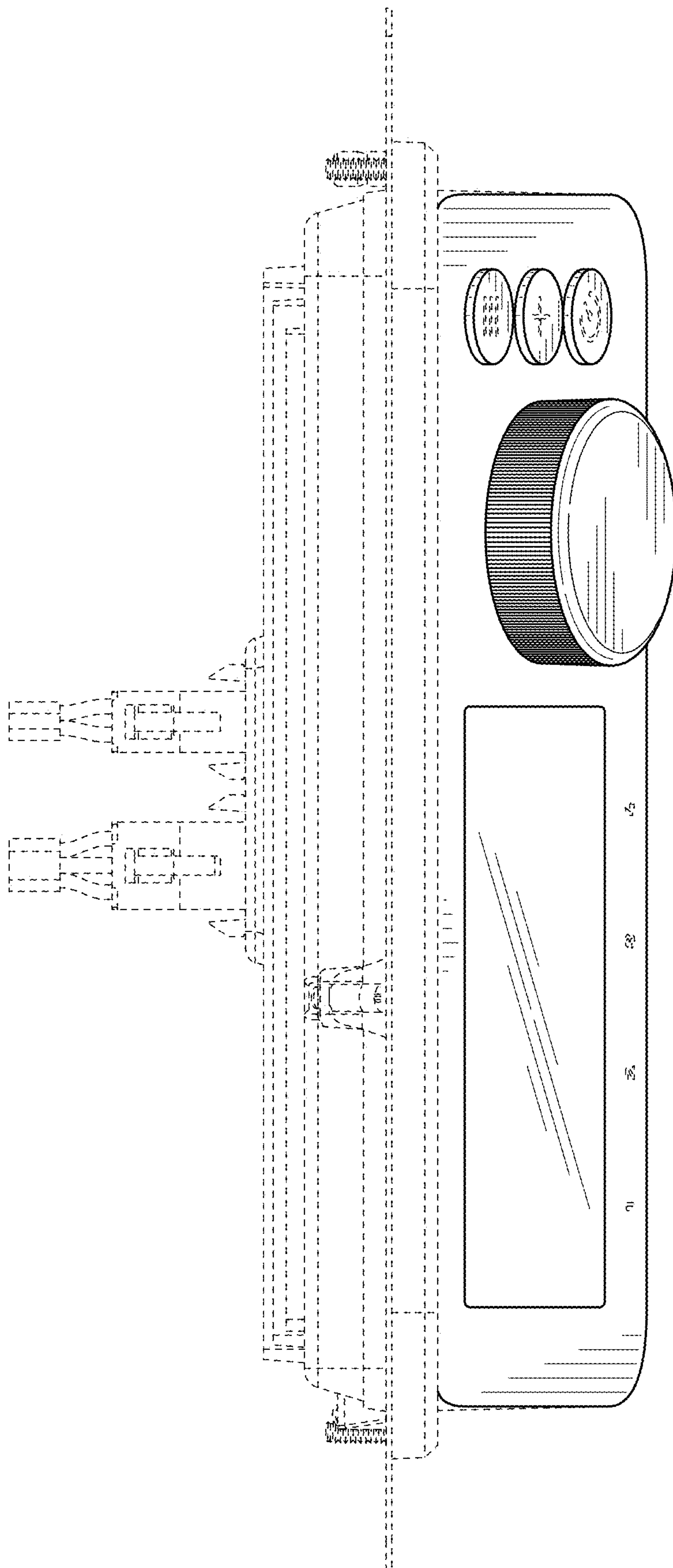


FIG. 8

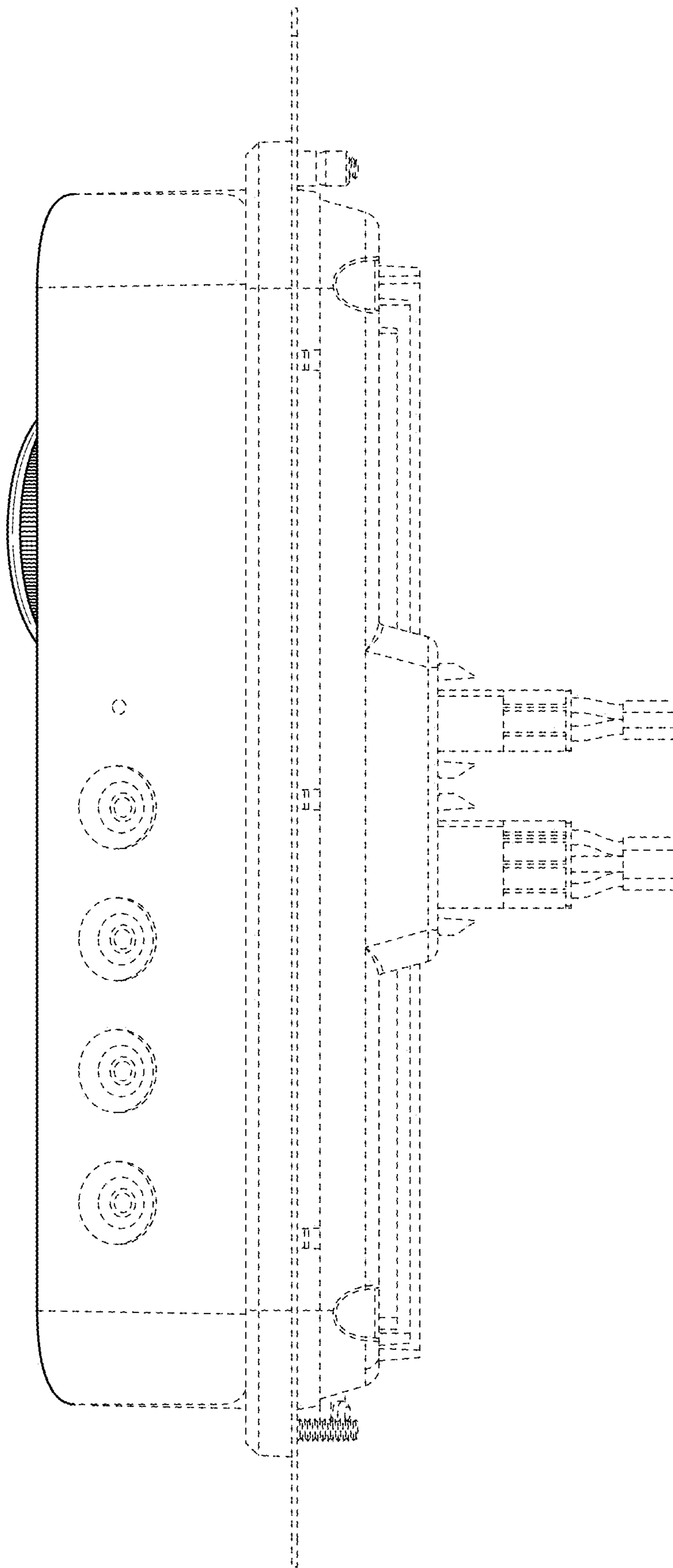


FIG. 9