



US00D953110S

(12) **United States Design Patent** (10) **Patent No.:** **US D953,110 S**
Mecker et al. (45) **Date of Patent:** **** May 31, 2022**

(54) **CONTROLLER FOR COOKING APPARATUS**

(71) Applicant: **Weber-Stephen Products LLC**,
Palatine, IL (US)

(72) Inventors: **William Alexander Mecker**, Chicago,
IL (US); **Jonas Lagerstedt**, Brooklyn,
NY (US); **Mathias Schmidt**,
Emeryville, CA (US); **Nicholas Beyrer**,
San Francisco, CA (US); **Stephen**
Krotseng, San Francisco, CA (US);
Angela M. Schilt, Mundelein, IL (US)

(73) Assignee: **WEBER-STEPHEN PRODUCTS**
LLC, Palatine, IL (US)

(**) Term: **15 Years**

(21) Appl. No.: **29/733,245**

(22) Filed: **Apr. 30, 2020**

(51) **LOC (13) Cl.** **07-02**

(52) **U.S. Cl.**
USPC **D7/406**

(58) **Field of Classification Search**
USPC D7/323, 327, 332-339, 354, 362, 366,
D7/387, 391, 402-409, 704; D10/52, 57;
D23/209, 332, 335, 343
CPC .. A47J 33/00; A47J 36/06; A47J 37/00; A47J
37/04; A47J 37/048; A47J 37/049; A47J
37/07; A47J 37/0704; A47J 37/0713;
A47J 37/0718; A47J 37/0727; A47J
37/0745; A47J 37/0763; A47J 37/0777;
A47J 37/0786; A47J 37/10; A47J 37/103;
A47J 37/106; A47J 2201/00; A47J
2202/00; F24C 1/16; A23B 4/044; A23B
4/052

See application file for complete search history.

(56) **References Cited**

U.S. PATENT DOCUMENTS

6,223,737 B1 5/2001 Buckner
7,900,553 B1 3/2011 Maurin

8,833,360 B2 9/2014 Knight
8,931,400 B1 1/2015 Mien
D733,483 S 7/2015 Baker et al.
9,186,020 B1 11/2015 Phillips
9,427,107 B2 8/2016 Reinhart
9,585,518 B1 3/2017 Phillips
9,635,978 B2 5/2017 Measom et al.
9,799,199 B2 10/2017 Allen

(Continued)

OTHER PUBLICATIONS

Design No. 301110124, Jul. 29, 2008—China National Intellectual
Property Administration (CNIPA) Publication Date—Jan. 13, 2010
Owner—Wolf Dyer Engineering Co., Ltd., Designer—Sydney Backhaus
WIPO, available at <https://www3.wipo.int/designdb/en/index.jsp> (Year:
2010).*

(Continued)

Primary Examiner — Mary Ann Calabrese

Assistant Examiner — Natalya M Rapundalo

(74) *Attorney, Agent, or Firm* — Hanley, Flight &
Zimmerman, LLC

(57) **CLAIM**

The ornamental design for a controller for cooking appara-
tus, as shown and described.

DESCRIPTION

FIG. 1 is a perspective view of a controller for cooking
apparatus.

FIG. 2 is a front view of the controller of FIG. 1.

FIG. 3 is a rear view of the controller of FIG. 1.

FIG. 4 is a right side view of the controller of FIG. 1.

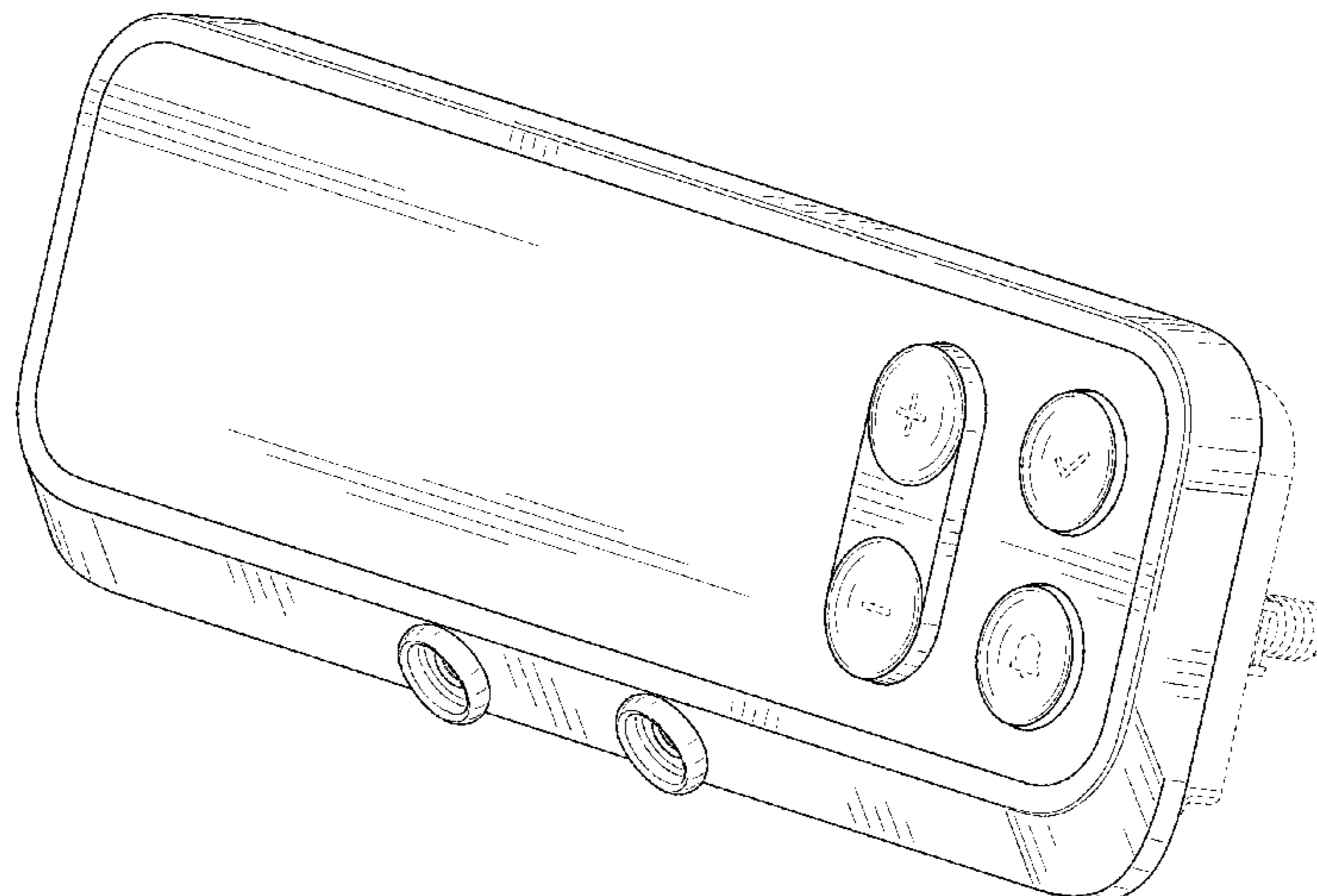
FIG. 5 is a left side view of the controller of FIG. 1.

FIG. 6 is a top view of the controller of FIG. 1; and,

FIG. 7 is a bottom view of the controller of FIG. 1.

The features shown in broken lines represent portions of the
controller for cooking apparatus and form no part of the
claimed design.

1 Claim, 4 Drawing Sheets



(56)

References Cited

U.S. PATENT DOCUMENTS

| | | | | |
|--------------|------|---------|------------------|------------------------|
| 9,913,559 | B2 | 3/2018 | Polter et al. | |
| 10,105,007 | B2 | 10/2018 | Colston et al. | |
| 10,213,051 | B2 | 2/2019 | Colston et al. | |
| 10,330,322 | B2 | 6/2019 | Measom et al. | |
| 10,339,783 | B2 | 7/2019 | Allen, Sr. | |
| D914,428 | S * | 3/2021 | Bennion | D7/334 |
| D914,429 | S * | 3/2021 | Bennion | F23N 5/242 D7/334 |
| D914,444 | S * | 3/2021 | Schilt | D7/406 |
| D914,445 | S * | 3/2021 | Schilt | D7/406 |
| D914,446 | S * | 3/2021 | Schilt | D7/406 |
| D915,120 | S * | 4/2021 | Bennion | A47J 37/0704 D7/334 |
| D915,141 | S * | 4/2021 | Schilt | D7/406 |
| D915,812 | S * | 4/2021 | Bennion | D7/334 |
| D921,426 | S * | 6/2021 | Tinney | F24C 15/103 D7/402 |
| D926,056 | S * | 7/2021 | Lagerstedt | D10/57 |
| 11,125,438 | B1 * | 9/2021 | Pruitt | A47J 37/0704 |
| D935,907 | S * | 11/2021 | Yu | D10/57 |
| 2013/0174834 | A1 | 7/2013 | Measom et al. | |
| 2013/0298894 | A1 | 11/2013 | Kleinsasser | |
| 2016/0334106 | A1 | 11/2016 | Reinhart | |
| 2017/0065124 | A1 | 3/2017 | Colston | |
| 2017/0164783 | A1 | 6/2017 | Sauerwein et al. | |
| 2018/0005508 | A1 | 1/2018 | Allen, Sr. | |
| 2018/0005509 | A1 | 1/2018 | Allen, Sr. | |
| 2018/0168395 | A1 | 6/2018 | Colston | |
| 2018/0168397 | A1 | 6/2018 | Colston | |
| 2018/0338351 | A1 * | 11/2018 | Schmeski | F24C 15/103 |
| 2019/0150663 | A1 | 5/2019 | Colston et al. | |
| 2021/0215344 | A1 * | 7/2021 | Eckhardt | F23N 5/242 |

OTHER PUBLICATIONS

Design No. 306439878, Nov. 23, 2020—China National Intellectual Property Administration (CNIPA) Publication Date—Apr. 6, 2021 Owner—Shenzhen Zhiyan Technology Co Ltd, Designer—Wu Xiaoting WIPO, available at <https://www3.wipo.int/designdb/en/index.jsp> (Year: 2020).*

Weber Spirit Smart Grills—An Introduction, first available Apr. 1, 2021, YouTube, [online], [site visited Jan. 24, 2022], Available from internet URL: <https://www.youtube.com/watch?v=-YDr6A2cTQs> (Year: 2021).*

Spirit SX-315 Smart Grill, Weber, [online], [site visited Jan. 24, 2022], Available from internet URL: <https://www.weber.com/US/en/grills/gas-grills/smart-grills/spirit-sx-315-smart-grill/46502401.html> (Year: 2022).*

China National Intellectual Property Administration, “Notice of Decision of Grant of Patent,” issued in connection with Chinese Patent Application No. 202030531082.9, dated Dec. 31, 2020, 6 pages.

European Union Intellectual Property Office, “European Community Design Registration No. 008167944-0001,” issued Sep. 11, 2020, 5 pages.

IP Australian, “Certificate of Registration,” issued in connection with Australian Patent Application No. 202014606, dated Nov. 9, 2020, 7 pages.

Canadian Intellectual Property Office, “Notice of Registration,” issued in connection with Canadian Patent Application No. 198061, dated Mar. 29, 2022, 8 pages.

* cited by examiner

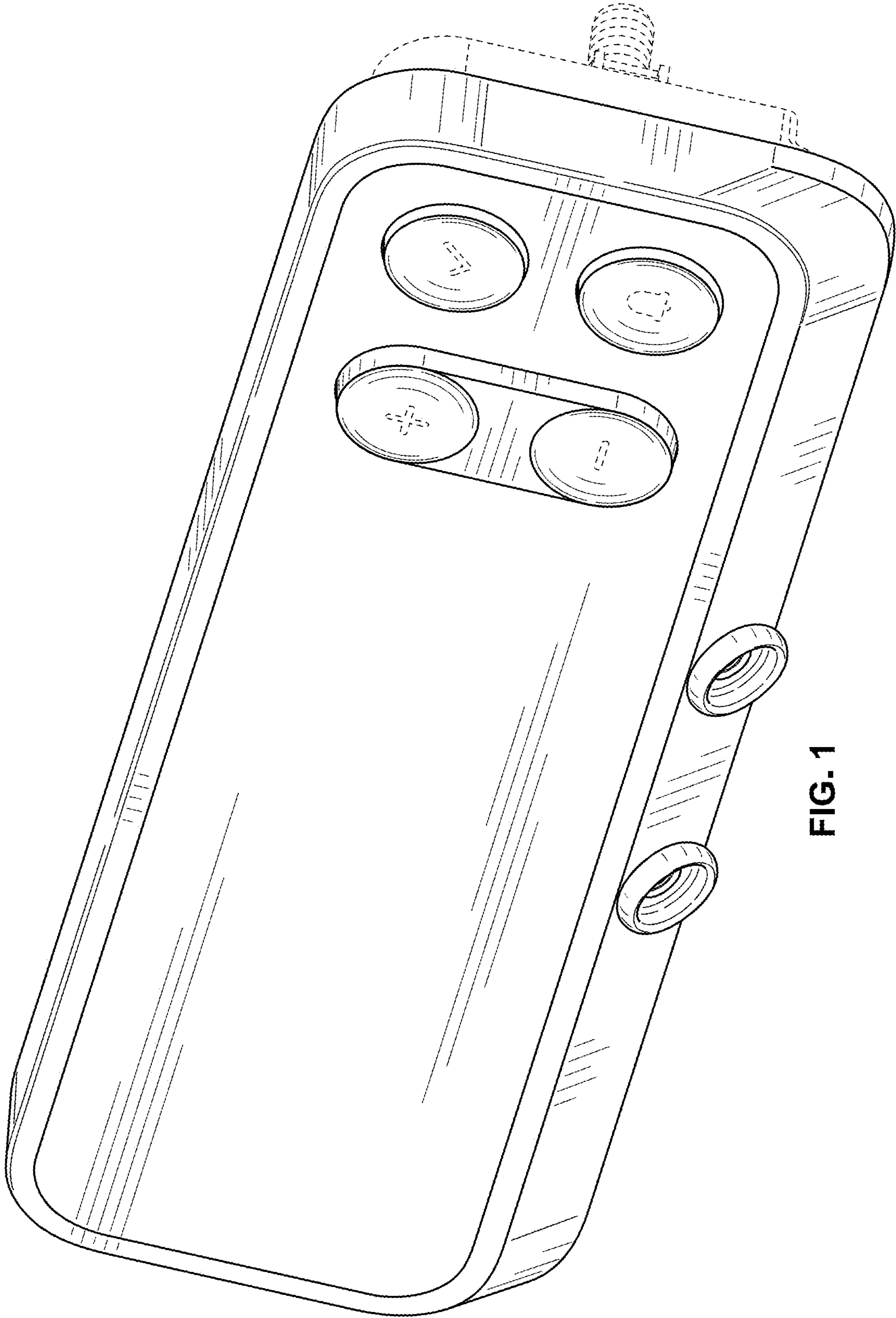


FIG-1

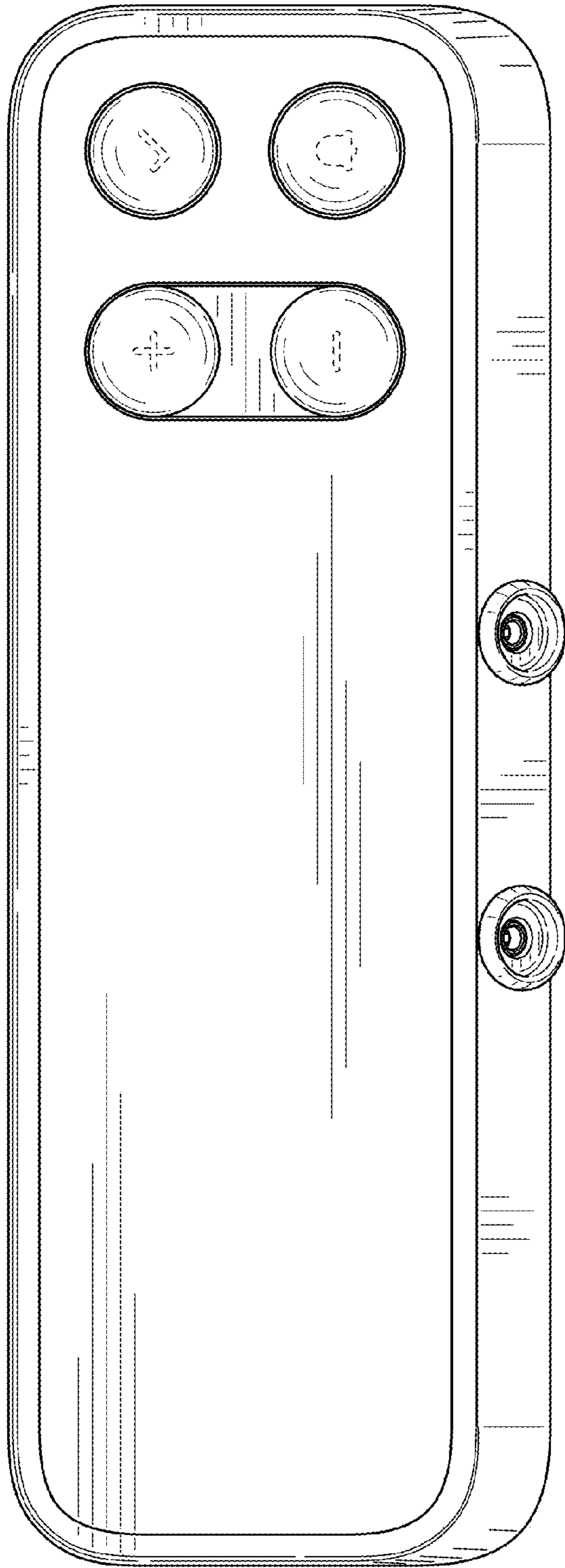


FIG. 2

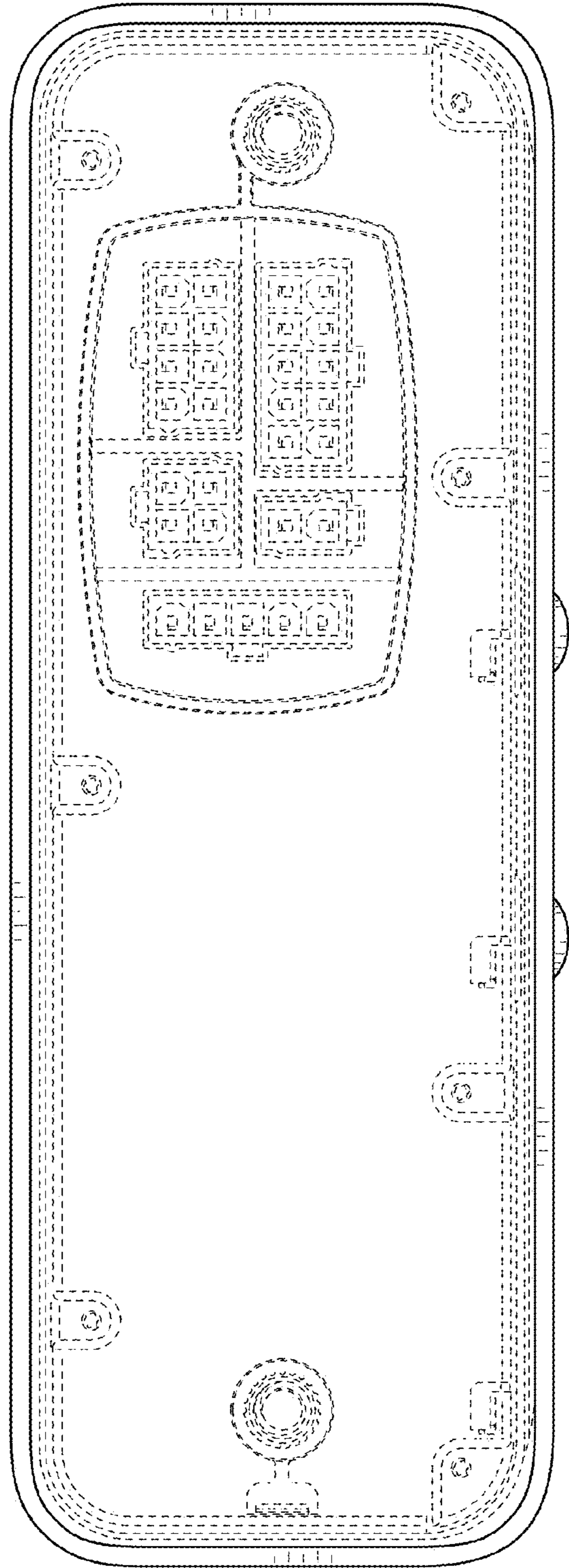


FIG. 3

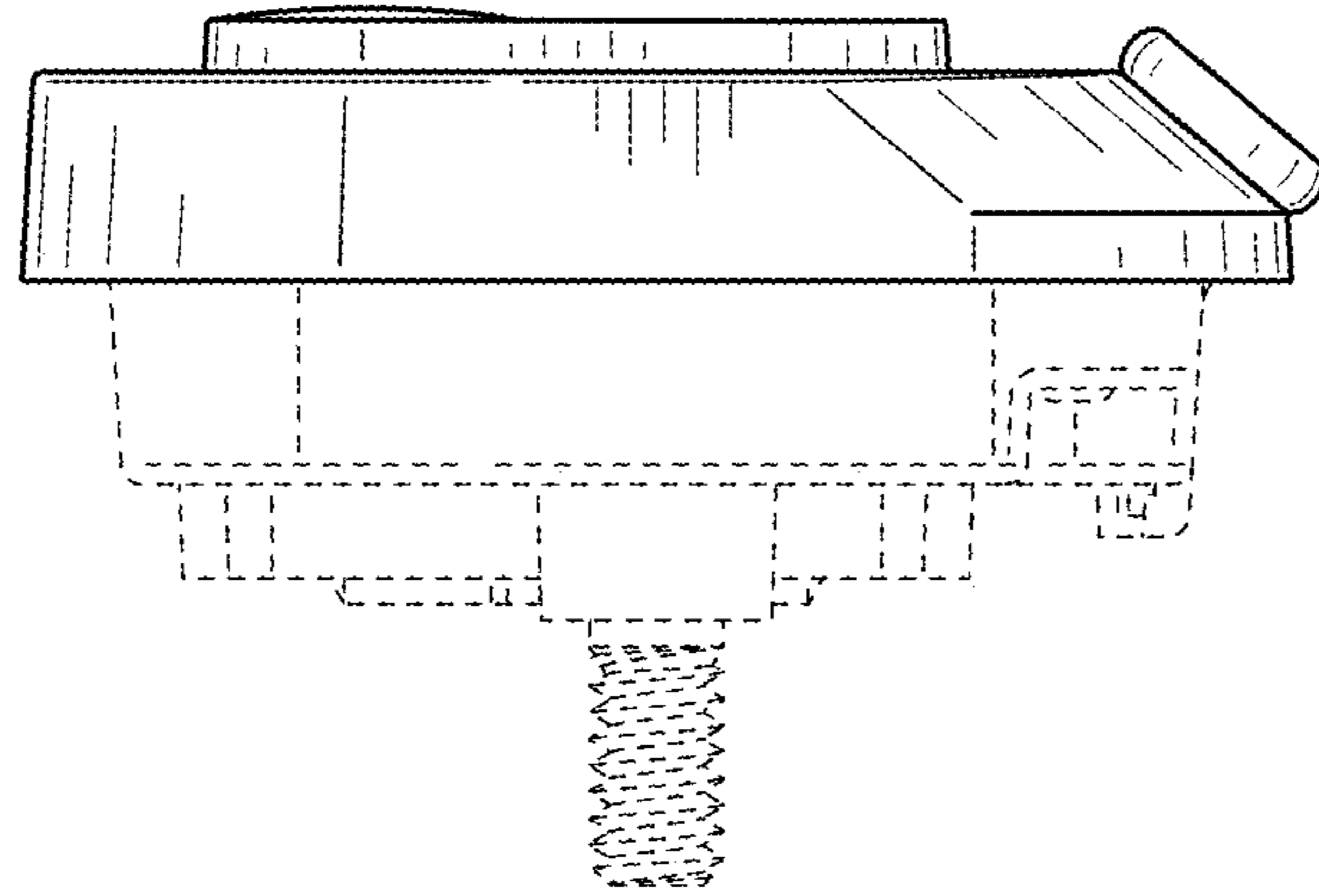


FIG. 5

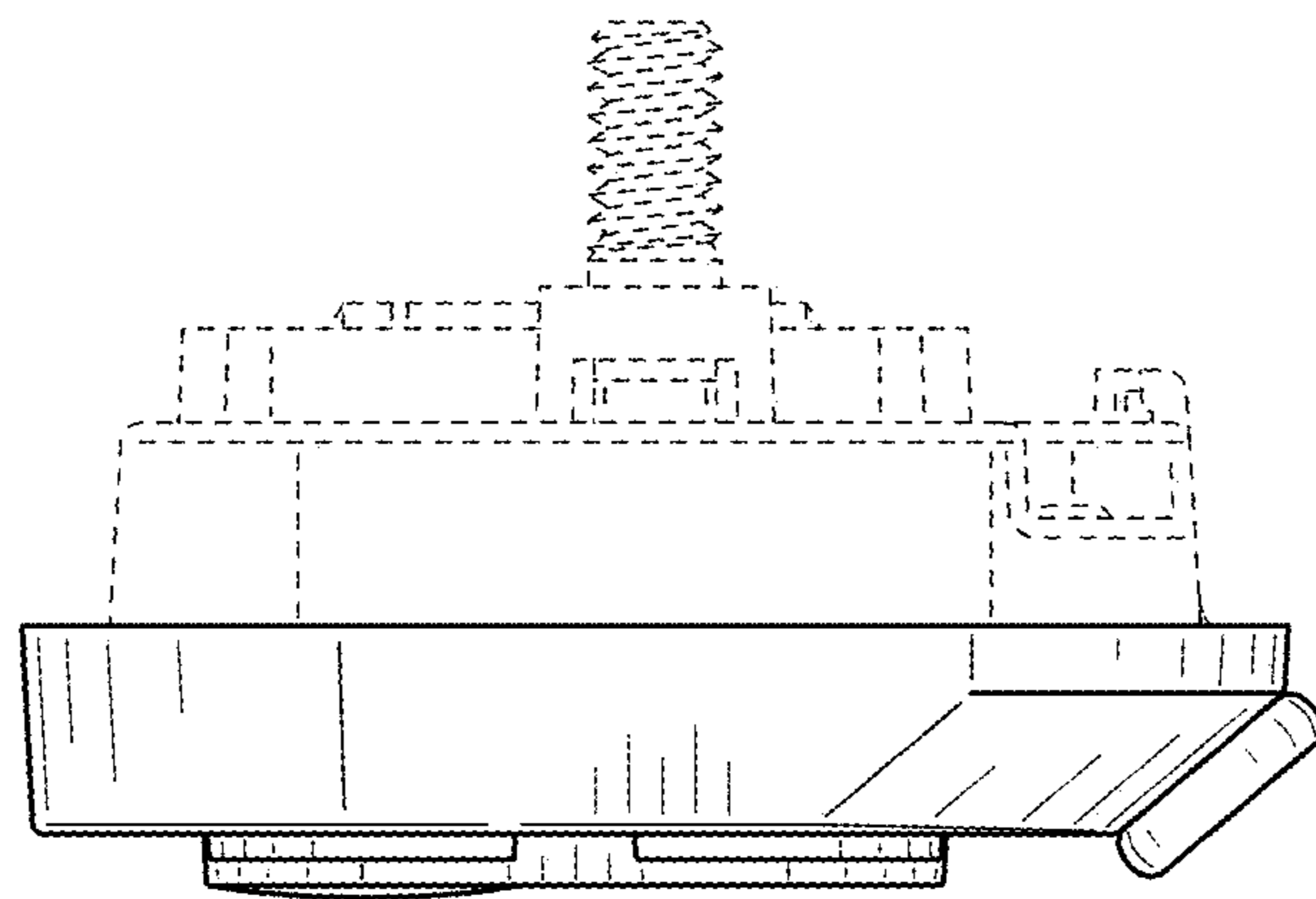


FIG. 4

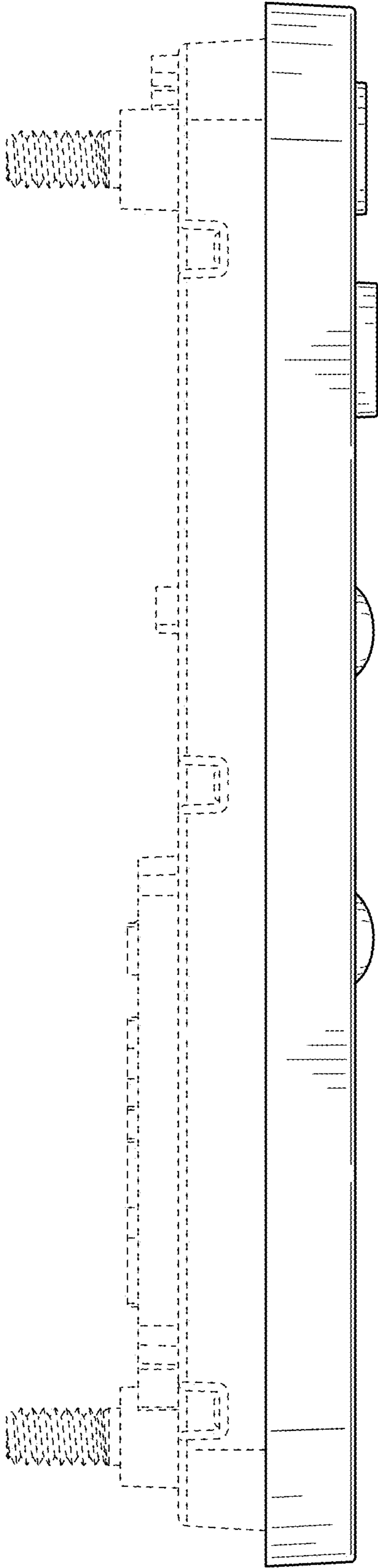


FIG. 6

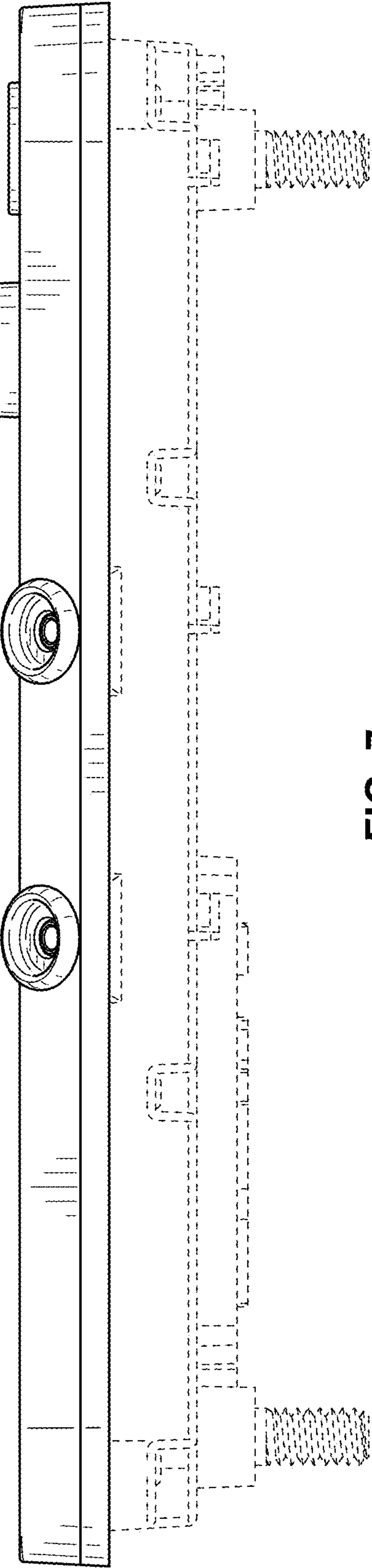


FIG. 7