



US00D953108S

(12) **United States Design Patent** (10) **Patent No.:** **US D953,108 S**  
**Krüger** (45) **Date of Patent:** **\*\* May 31, 2022**

(54) **CAPSULE**  
(71) Applicant: **GCS German Capsule Solution GmbH**, Bergisch Gladbach (DE)  
(72) Inventor: **Marc Krüger**, Bergisch Gladbach (DE)  
(\*\*) Term: **15 Years**  
(21) Appl. No.: **35/510,906**  
(22) Filed: **Jun. 10, 2020**  
(80) **Hague Agreement Data**  
Int. Filing Date: **Jun. 10, 2020**  
Int. Reg. No.: **DM/208848**  
Int. Reg. Date: **Jun. 10, 2020**  
Int. Reg. Pub. Date: **Dec. 11, 2020**

(51) **LOC (13) Cl.** ..... **09-05**  
(52) **U.S. Cl.**  
USPC ..... **D7/400**  
(58) **Field of Classification Search**  
USPC ..... D7/213, 330, 357, 400, 401.1, 401.2, D7/402, 536, 566, 600, 600.1, 602, 609, D7/624.1, 638, 672, 701; D6/512, 522, D6/561, 571, 572, 573, 661, 661.2, 602, D6/663, 671, 672, 675, 681.2, 683.1; D32/58; D9/416, 429  
CPC ... A47G 1/20; A47J 31/44; A47J 31/52; A47J 43/04; A47J 43/44  
See application file for complete search history.

(56) **References Cited**  
**U.S. PATENT DOCUMENTS**  
D26,364 S \* 12/1896 Hart ..... D9/500  
D199,336 S \* 10/1964 Wanderer ..... D9/429  
D210,767 S \* 4/1968 Anglada ..... D7/532  
D474,110 S \* 5/2003 Sweeney ..... D9/425  
D474,111 S \* 5/2003 Lazaris ..... D9/425  
7,444,925 B2 \* 11/2008 Mahlich ..... A47J 31/4492  
99/289 P

D606,363 S \* 12/2009 Aardenburg ..... D7/400  
D695,111 S \* 12/2013 Hansen ..... B65D 85/8061  
D9/429  
D698,649 S \* 2/2014 Quint ..... D9/500  
9,072,402 B2 \* 7/2015 Ryser ..... A47J 31/0684  
D749,411 S \* 2/2016 Corsetti ..... D9/503  
D761,108 S \* 7/2016 Trombetta ..... D9/503  
9,657,155 B2 \* 5/2017 O'Brien ..... B65D 21/02  
D791,534 S \* 7/2017 Bueno ..... D7/400  
D797,503 S \* 9/2017 Robotti ..... D7/400  
D815,925 S \* 4/2018 Rapparini ..... D9/500  
D817,757 S \* 5/2018 Kim ..... D9/429  
D853,663 S \* 7/2019 Song ..... D30/129  
D856,750 S \* 8/2019 Pucci ..... D9/500  
D880,289 S \* 4/2020 Valsecchi ..... A47J 31/0673  
D9/416  
D884,475 S \* 5/2020 Rapparini ..... D9/500  
(Continued)

**FOREIGN PATENT DOCUMENTS**

EM 007815683-0001 \* 4/2020

**OTHER PUBLICATIONS**

Pods vs capsules, May 31, 2016, found on Jan. 24, 2022 at <https://www.aquaspresso.co.za/pods-vs-capsules-difference-coffee-pods-coffee-capsules/> (Year: 2016).\*  
(Continued)

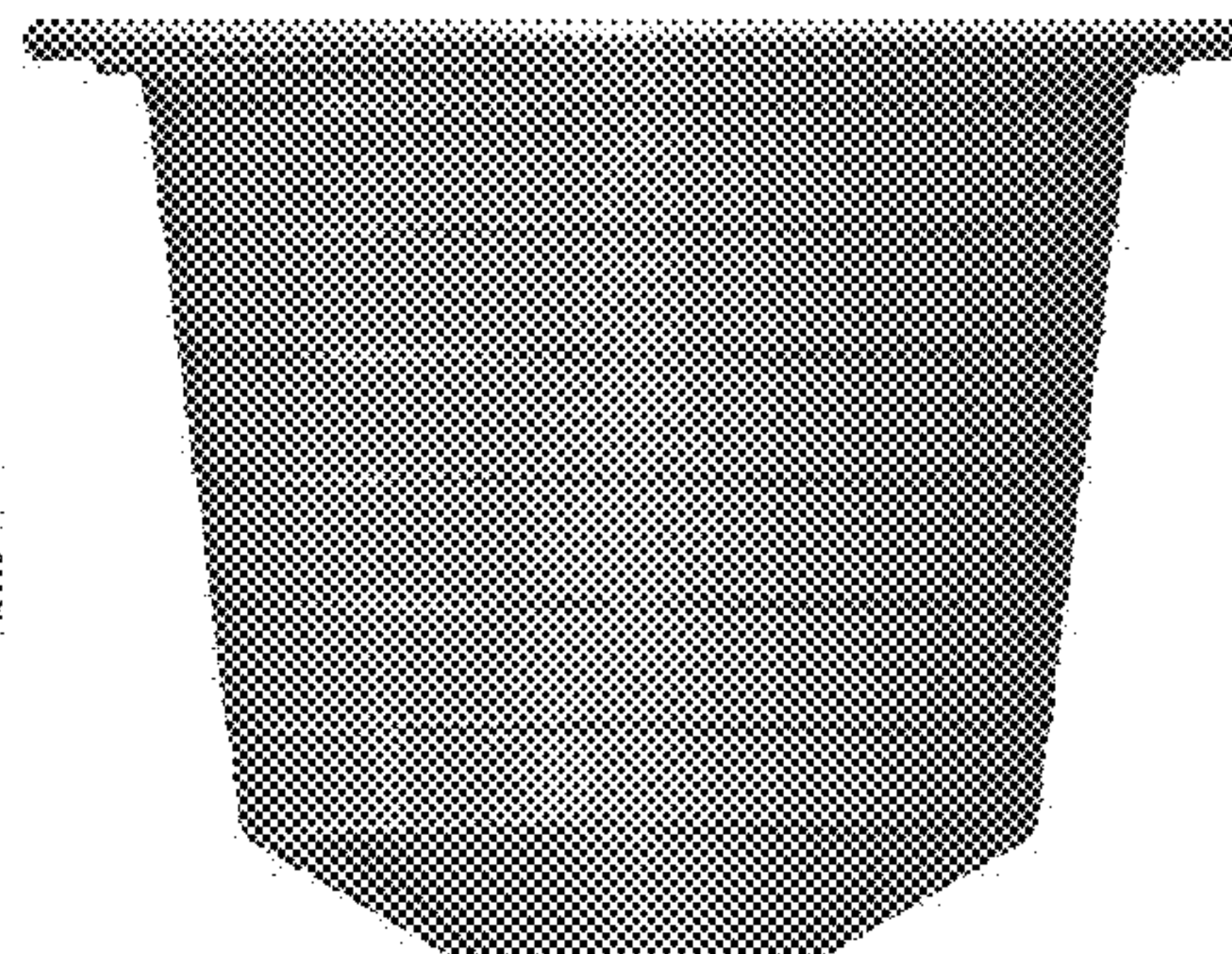
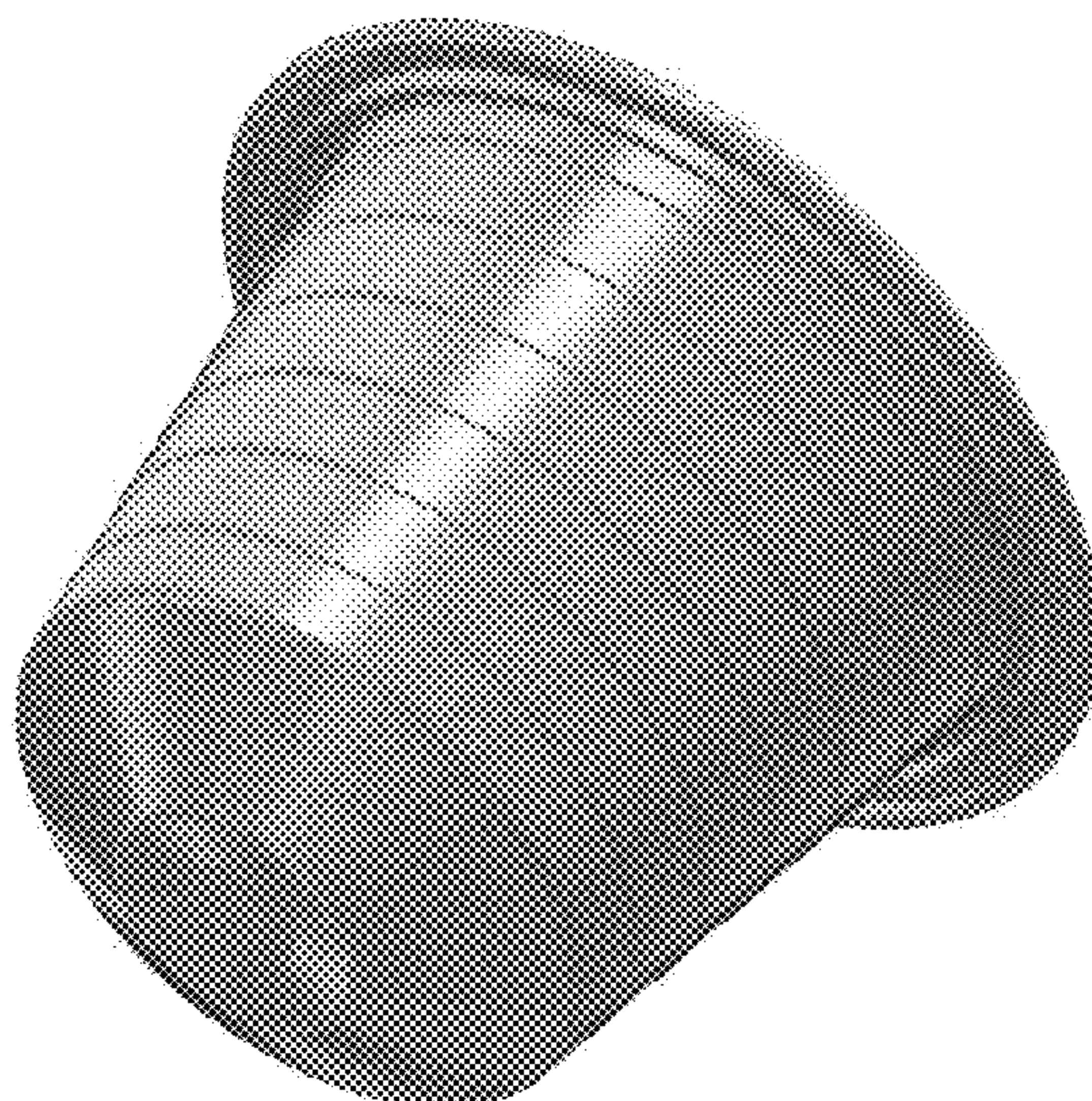
*Primary Examiner* — Karen S Acker

(57) **CLAIM**  
The ornamental design for a capsule, as shown and described.

**DESCRIPTION**

- 1. Capsule
- 1.1: Perspective
- 1.2: Perspective
- 1.3: Front
- 1.4: Top
- 1.5: Bottom

**1 Claim, 5 Drawing Sheets**



(56)

**References Cited**

U.S. PATENT DOCUMENTS

D889,907 S \* 7/2020 Braukmann ..... A47J 31/0684  
D7/400  
10,716,427 B2 \* 7/2020 Putnam ..... A47J 31/0673  
D897,834 S \* 10/2020 Lee ..... D9/428  
D920,097 S \* 5/2021 Rapparini ..... D9/428  
D940,548 S \* 1/2022 Kruger ..... D9/416  
2002/0031588 A1 \* 3/2002 Eugster ..... A47F 1/085  
426/523  
2011/0142996 A1 \* 6/2011 Kruger ..... B65B 29/022  
426/80  
2012/0171334 A1 \* 7/2012 Yoakim ..... A47J 31/22  
426/87  
2013/0129872 A1 \* 5/2013 Kruger ..... A47J 31/407  
426/115  
2015/0158666 A1 \* 6/2015 Kruger ..... B65B 7/2871  
426/87  
2015/0239655 A1 \* 8/2015 Schroeder ..... B65D 85/8046  
426/115  
2015/0274412 A1 \* 10/2015 Bisio ..... B65D 85/8043  
426/115

2016/0362246 A1 \* 12/2016 Garcin ..... B65D 1/26  
2017/0280927 A1 \* 10/2017 Holten ..... A47J 31/52  
2017/0360057 A1 \* 12/2017 Rivera ..... A23F 5/262  
2019/0016528 A1 \* 1/2019 Kuhl ..... C08L 23/12  
2019/0100376 A1 \* 4/2019 Rondelli ..... B65D 85/8061  
2020/0180858 A1 \* 6/2020 Kruger ..... B65D 85/8043

OTHER PUBLICATIONS

3-1 Capsule Nespresso, Jan. 8, 2020, found on Jan. 24, 2022 at <https://www.aliexpress.com/i/32881756930.html> (Year: 2020).\*  
Coffee Capsule, Dec. 16, 2017, found on Jan. 24, 2022 at <https://www.amazon.co.uk/Coffee-Capsule-Pods-Nespresso-Refillable/dp/B01NBEB59K> (Year: 2017).\*  
Amazon capsule filter, May 30, 2018, found on Jan. 24, 2022 at <https://www.amazon.com/Refillable-Reusable-Stainless-Capsules-Nespresso/dp/B07DDH8MN2> (Year: 2018).\*  
CafePod Craft Coffee, Apr. 2, 2020, found on Apr. 1, 2022 at <https://www.amazon.co.uk/dp/B086Q2XXP3/&th=1> (Year: 2020).\*

\* cited by examiner



**1.1**





1.2



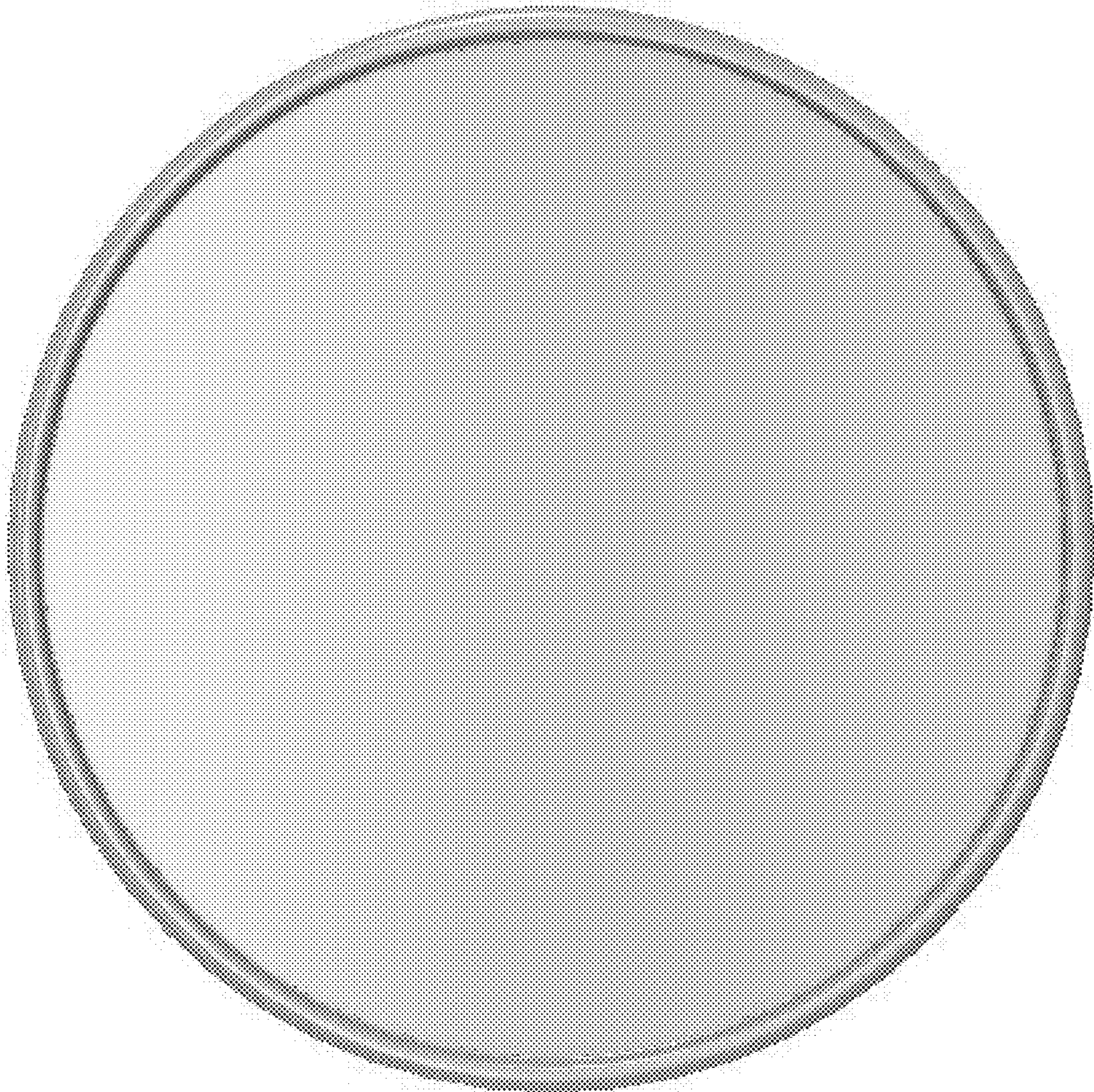


**1.3**





**1.4**





**1.5**

