



US00D953107S

(12) **United States Design Patent** (10) **Patent No.:** **US D953,107 S**  
**Schilperoort** (45) **Date of Patent:** **\*\* May 31, 2022**

(54) **CAP FOR A LIQUID CONTAINER**

B29C 51/268; B29C 51/44; B29C 45/0001; B29C 45/0081; A47G 19/2272

See application file for complete search history.

(71) Applicant: **Sea to Summit Pty Ltd**, Rivervale (AU)

(56) **References Cited**

(72) Inventor: **Tom Schilperoort**, Rivervale (AU)

U.S. PATENT DOCUMENTS

(73) Assignee: **Sea to Summit Pty Ltd**, Rivervale (AU)

D361,265 S *	8/1995	Doxey	.....	D9/435
D408,506 S *	4/1999	Gottwald	.....	D23/260
D433,334 S *	11/2000	Hayes	.....	D9/452
D479,997 S *	9/2003	Ekkert	.....	D9/435
D512,913 S *	12/2005	Gauthier	.....	D9/450
D521,382 S *	5/2006	Gross	.....	D9/452
D562,133 S *	2/2008	Liebe	.....	D9/449
D564,877 S *	3/2008	Hood	.....	D9/454
D575,581 S *	8/2008	Harris	.....	D7/392.1
D618,099 S *	6/2010	Biesecker	.....	D9/452

(\*\*) Term: **15 Years**

(21) Appl. No.: **29/699,913**

(22) Filed: **Jul. 30, 2019**

(Continued)

(30) **Foreign Application Priority Data**

OTHER PUBLICATIONS

Jan. 31, 2019 (AU) ..... 201910498

Sea to Summit Watercell: Announced Mar. 3, 2021 [online]. Site Visited [Dec. 14, 2021]. Available from Internet URL: <https://seatosummitusa.com/products/watercell-x>.\*

(51) **LOC (13) Cl.** ..... **07-99**

(52) **U.S. Cl.**  
USPC ..... **D7/396.2**

*Primary Examiner* — Catherine S Posthauer  
(74) *Attorney, Agent, or Firm* — Dascenzo Gates Intellectual Property Law, P.C.

(58) **Field of Classification Search**  
USPC ..... D7/550.1, 554.2, 387, 391, 392, 392.1, D7/396.1, 396.2, 397, 398, 558, 624.1, D7/667, 388, 403, 407, 408, 409; D9/723, 724, 434, 435, 436, 438, 443, D9/445, 447, 448, 449, 450, 452, 453, D9/454; D23/206, 209, 259, 260, 261, D23/397; D21/680, 681

(57) **CLAIM**

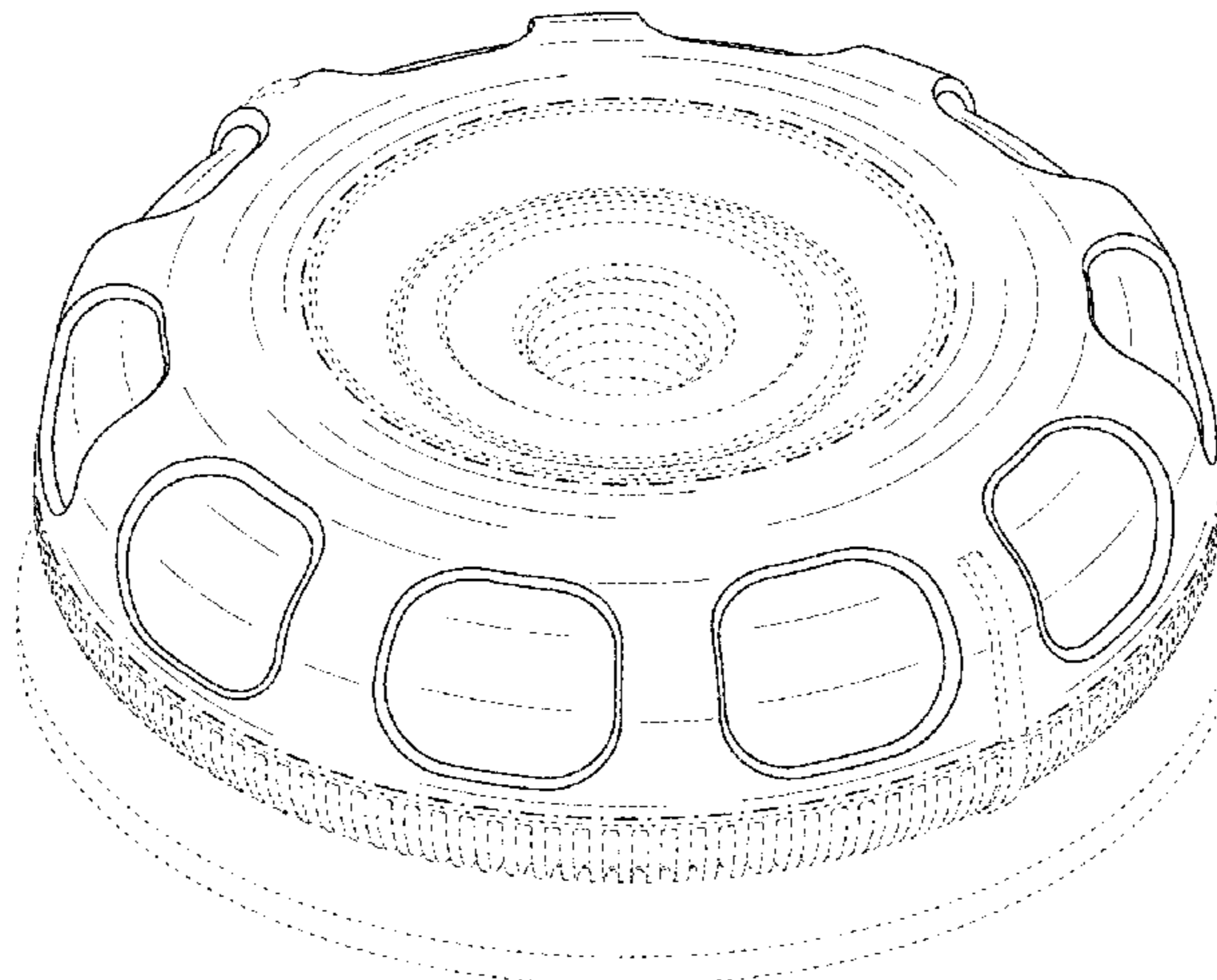
The ornamental design for a cap for a liquid container, as shown and described.

CPC ..... B65D 43/0208; B65D 2231/022; B65D 2543/00027; B65D 2543/00092; B65D 2543/000296; B65D 2543/00342; B65D 2543/00509; B65D 2543/00518; B65D 2543/00537; B65D 2543/00731; B65D 2543/00814; B65D 41/34; B65D 41/3428; B65D 1/20; B65D 2251/0018; B65D 2251/0071; B65D 2251/02; B29C 51/22;

**DESCRIPTION**

FIG. 1 is a top view in perspective of a cap for a liquid container showing my new design;  
FIG. 2 is a front view thereof;  
FIG. 3 is a rear view thereof;  
FIG. 4 is a top view thereof;  
FIG. 5 is a bottom view thereof;  
FIG. 6 is a first side view thereof; and,  
FIG. 7 is a second side view thereof.

(Continued)



The dashed lines shown in the drawings illustrate portions of the cap that are not claimed and form no part of the claimed design. The dash-dot lines represent the boundary of the claimed design.

**1 Claim, 5 Drawing Sheets**

(56)

**References Cited**

U.S. PATENT DOCUMENTS

D673,450	S *	1/2013	Cronin .....	D9/452
D674,697	S *	1/2013	Biesecker .....	D9/453
D682,107	S *	5/2013	Ramsey .....	D9/454
8,777,032	B2 *	7/2014	Biesecker .....	B65D 51/18
				215/301
D760,345	S *	6/2016	Campbell .....	D23/206
D809,385	S *	2/2018	Brinkworth .....	D9/445
D840,812	S *	2/2019	Holmes .....	D9/443
D840,813	S *	2/2019	Holmes .....	D9/443
D845,767	S *	4/2019	Holmes .....	D9/454
D848,785	S *	5/2019	Cottam .....	D7/392
D850,911	S *	6/2019	Holmes .....	D9/443
D871,906	S *	1/2020	Ramsey .....	D9/454
D878,481	S *	3/2020	Steinkraus .....	D21/443
2021/0245940	A1 *	8/2021	Borg .....	B65D 55/0863

\* cited by examiner

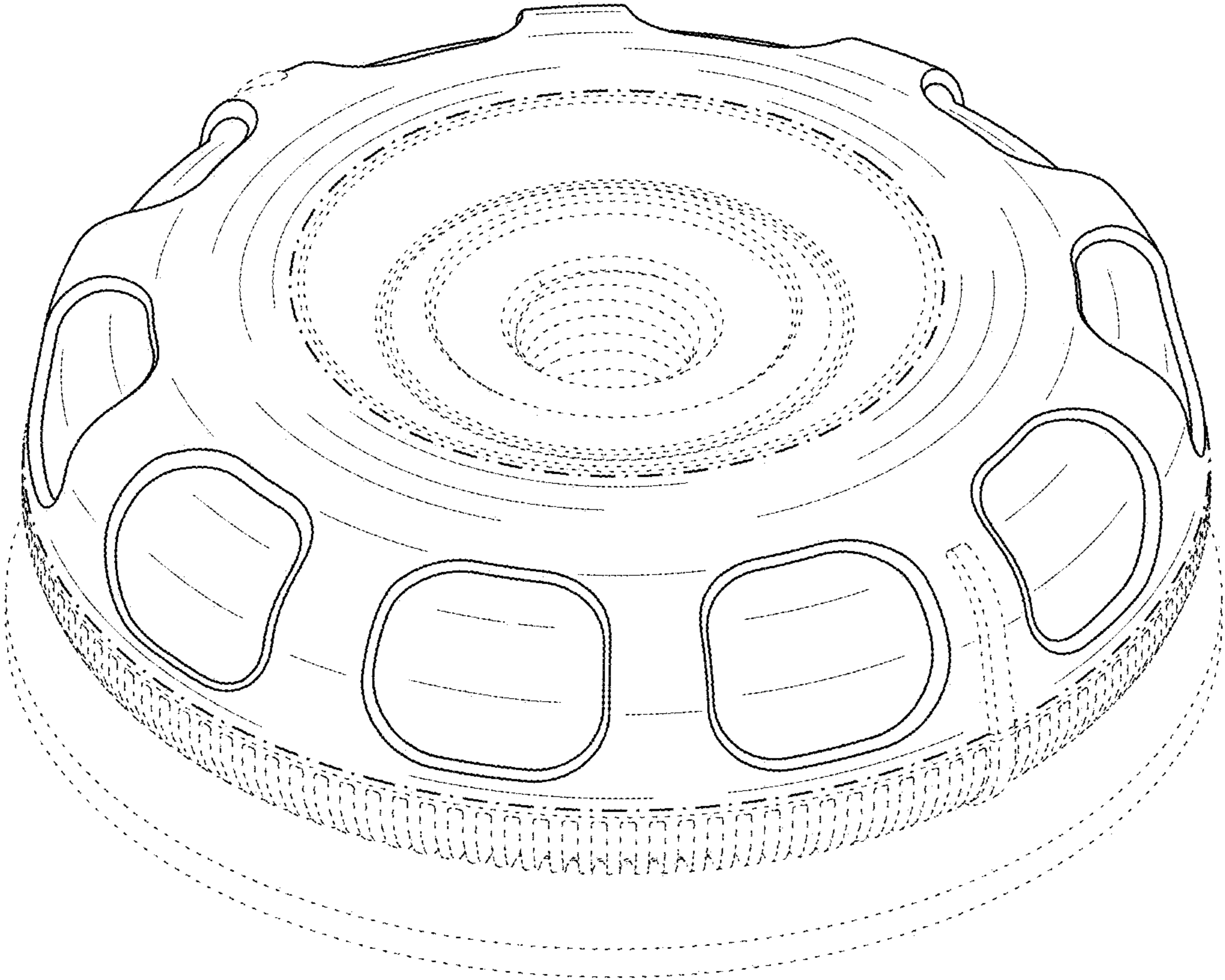


FIG. 1

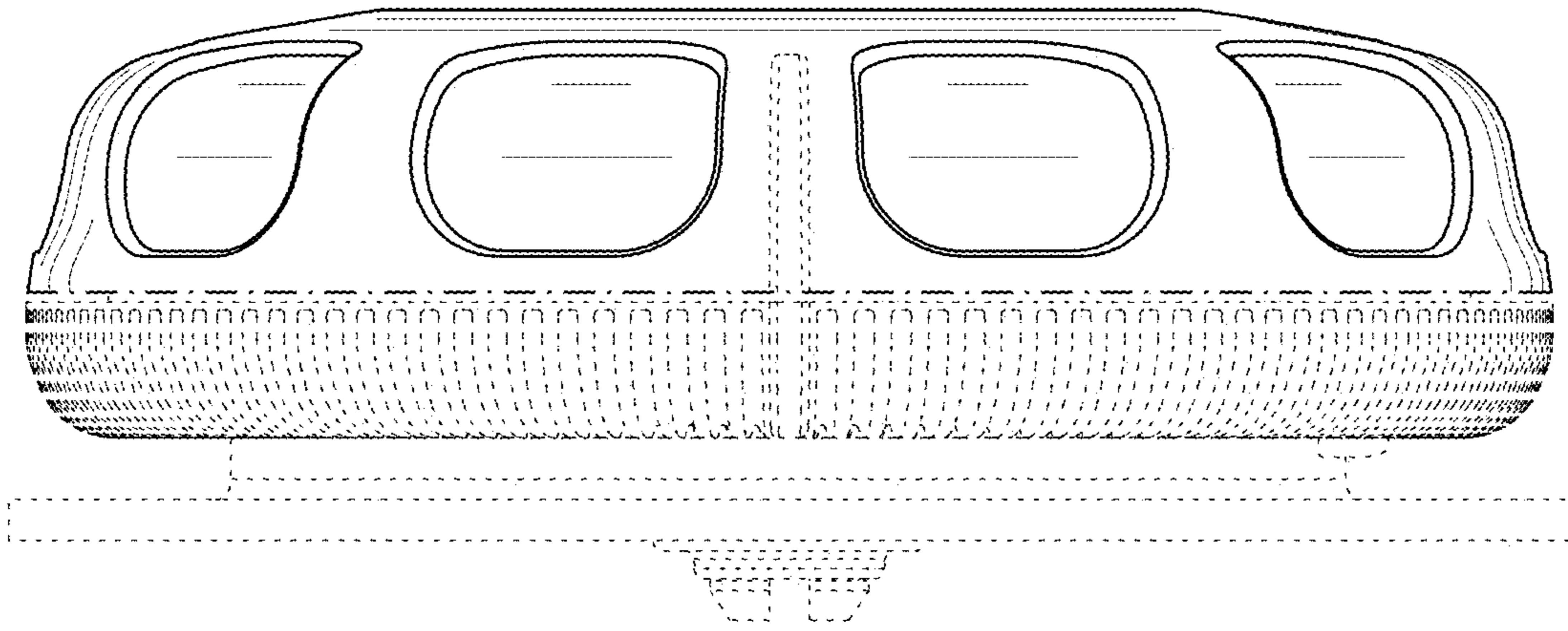


FIG. 2

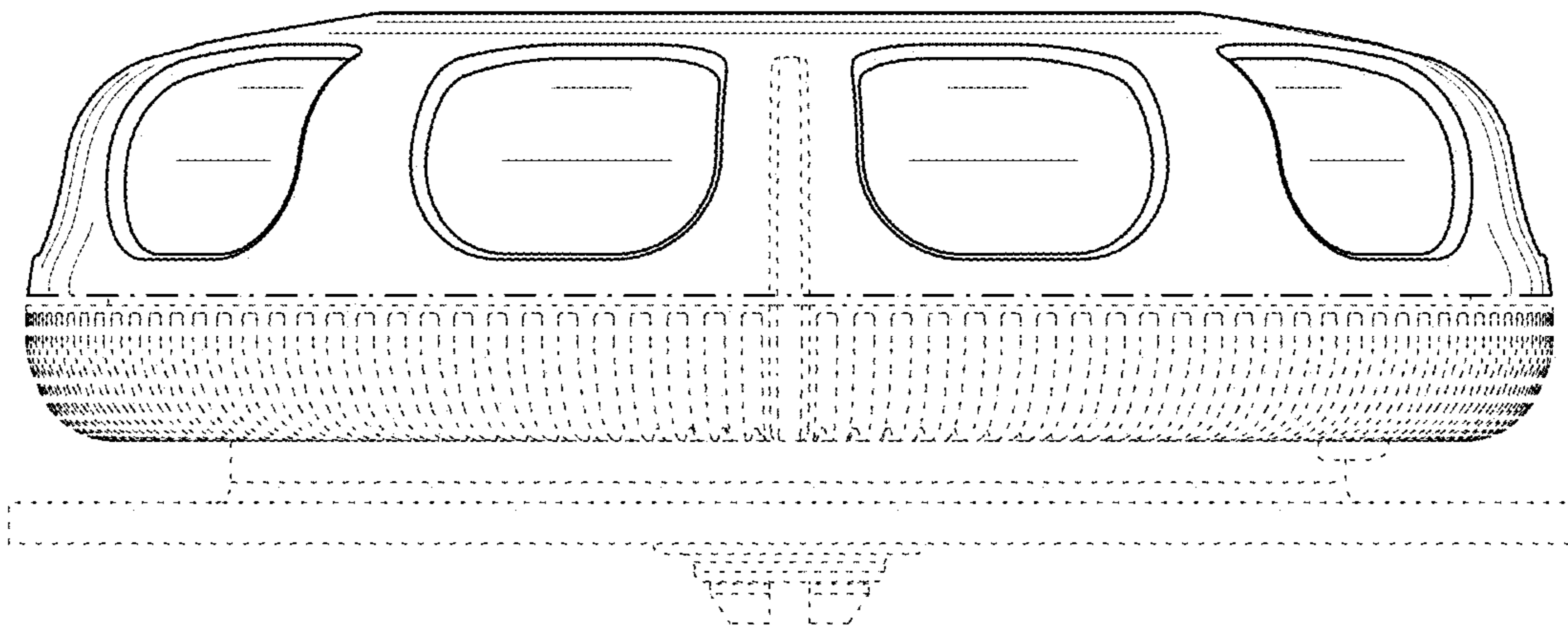


FIG. 3

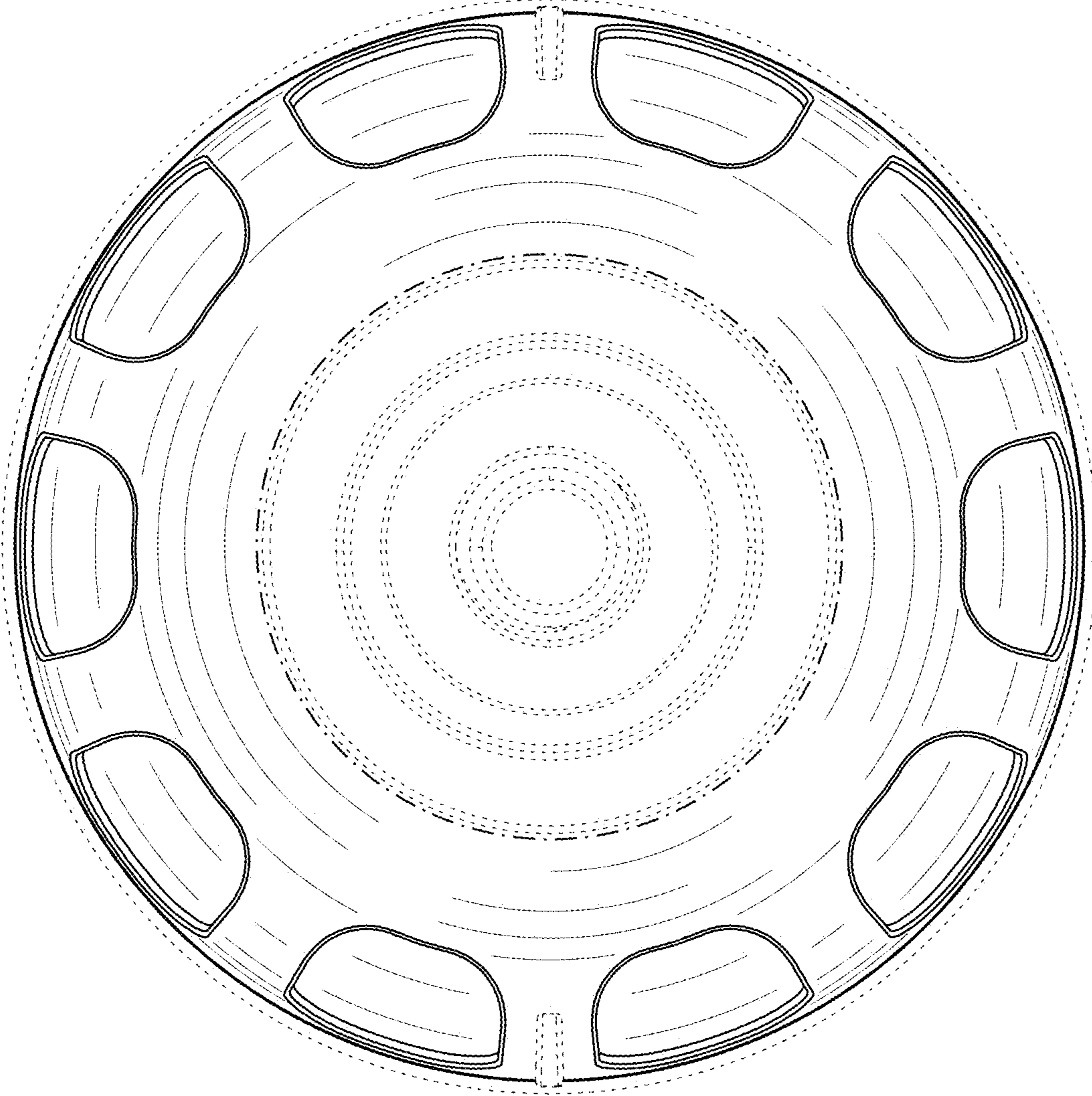


FIG. 4

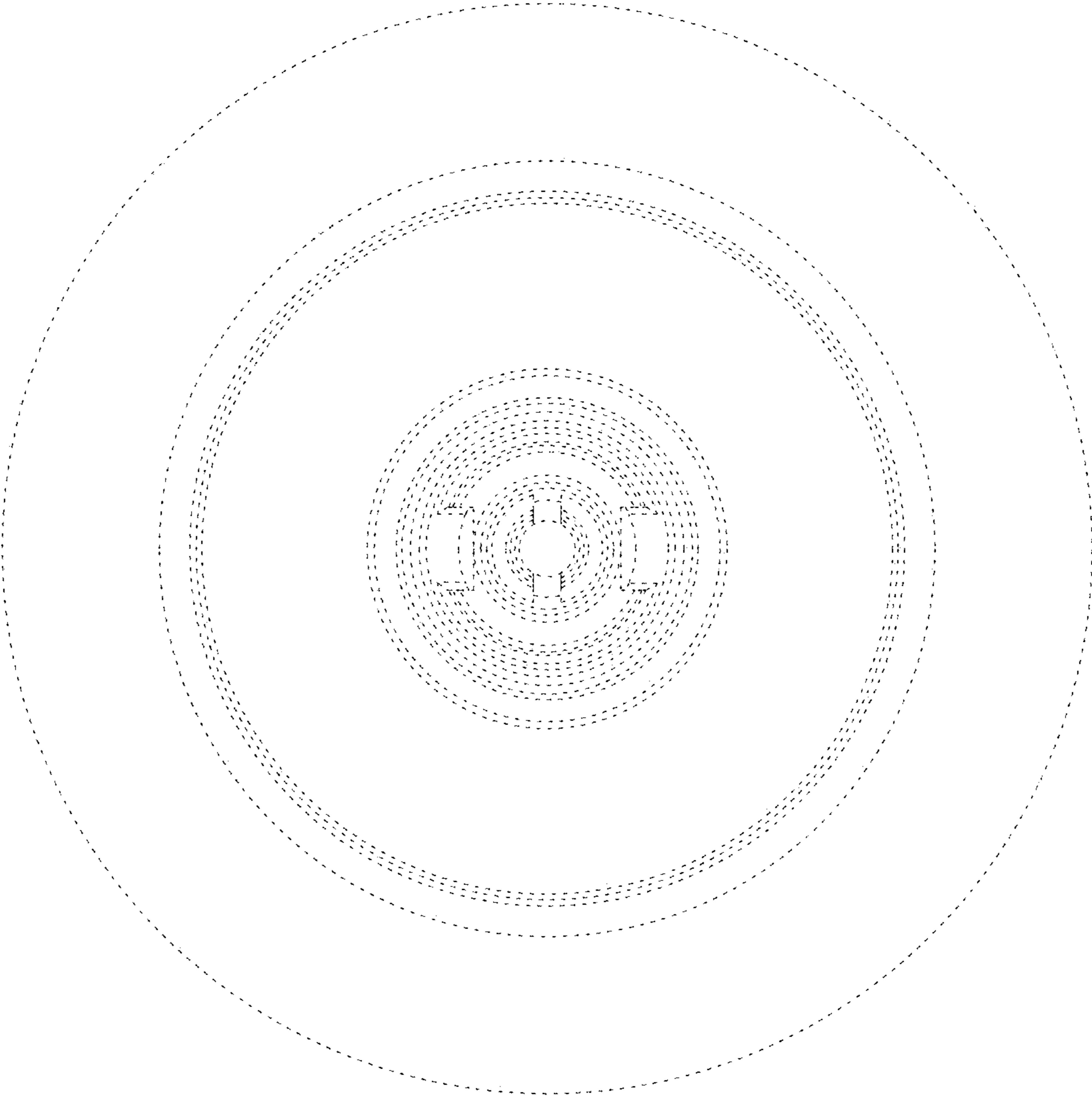


FIG. 5

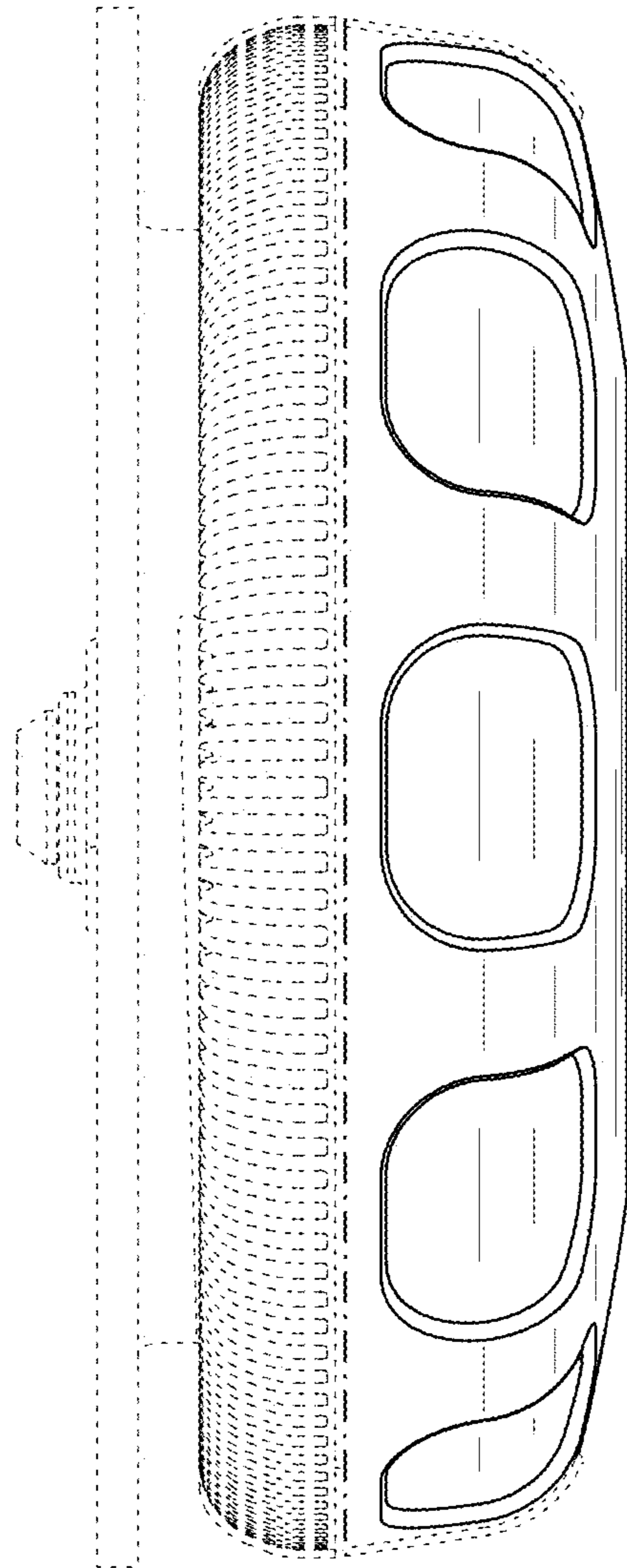


FIG. 6

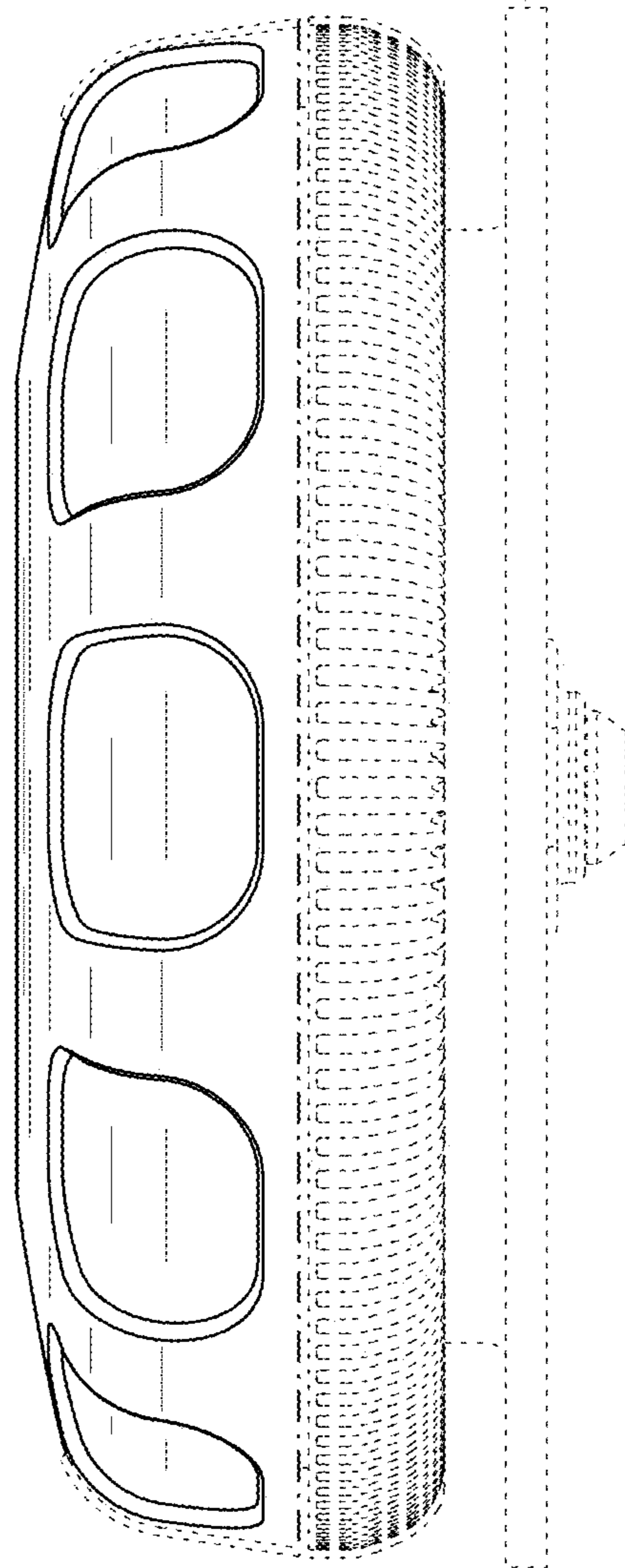


FIG. 7