



US00D953105S

(12) **United States Design Patent**  
**Ames**

(10) **Patent No.:** **US D953,105 S**

(45) **Date of Patent:** **\*\* May 31, 2022**

(54) **BOTTLE LID**

(71) Applicant: **Real Value LLC**, Moore, OK (US)

(72) Inventor: **Micah Ames**, Oklahoma City, OK (US)

(73) Assignee: **Real Value LLC**, Moore, OK (US)

(\*\*) Term: **15 Years**

(21) Appl. No.: **29/755,576**

(22) Filed: **Oct. 21, 2020**

**Related U.S. Application Data**

(63) Continuation of application No. 29/684,930, filed on Mar. 25, 2019, now Pat. No. Des. 903,403.

(51) **LOC (13) Cl.** ..... **07-99**

(52) **U.S. Cl.**  
USPC ..... **D7/392**

(58) **Field of Classification Search**

USPC ..... D7/387, 391, 392, 392.1, 394, 396.2,  
D7/509–511, 538, 900; D3/201, 202;  
D9/434, 435, 436, 439, 440, 442, 443,  
D9/446–450, 499, 686

CPC .. A61J 1/00; A61J 1/1412; B65D 1/00; B65D  
1/02; B65D 1/10; B65D 1/46; B65D  
2585/56; B65D 2585/545; B65D 41/00;  
B65D 41/38; B65D 41/56; B65D 41/62;

(Continued)

(56) **References Cited**

**U.S. PATENT DOCUMENTS**

D620,357 S † 7/2010 Jewett ..... D9/454

D648,177 S † 11/2011 Eyal ..... D7/510

(Continued)

**OTHER PUBLICATIONS**

Amazon website, Simple Modern Insulated Straw Lid, Date of earliest comment Sep. 26, 2019, [site visited Oct. 12, 2021],

Available on the Internet URL [www.amazon.com/Simple-Modern-Insulated-Straw-Lid/product-reviews/B07QF385LJ](http://www.amazon.com/Simple-Modern-Insulated-Straw-Lid/product-reviews/B07QF385LJ) (Year: 2019).\*

*Primary Examiner* — S. Bryan Reinholdt, Jr.

(74) *Attorney, Agent, or Firm* — Hall Estill Law Firm

(57) **CLAIM**

The ornamental design for a bottle lid, as shown and described.

**DESCRIPTION**

FIG. 1 is a perspective view of a bottle lid, showing a drinking portion of the bottle lid in a closed portion.

FIG. 2 is a front side elevation view of FIG. 1.

FIG. 3 is a rear side elevation view of view of FIG. 1.

FIG. 4 is a right side elevation view of FIG. 1.

FIG. 5 is a left side elevation view of FIG. 1.

FIG. 6 is a top view of FIG. 1.

FIG. 7 is a bottom view of FIG. 1.

FIG. 8 is a perspective view of the bottle lid of FIG. 1, in a condition of use with a bottle.

FIG. 9 is a perspective view of the bottle lid of FIG. 1, showing the drinking portion of the bottle lid in an open position.

FIG. 10 is a front side elevation view of FIG. 9.

FIG. 11 is a rear side elevation view of FIG. 9.

FIG. 12 is a right side elevation view of FIG. 9.

FIG. 13 is a left side elevation view of FIG. 9.

FIG. 14 is a top view of FIG. 9.

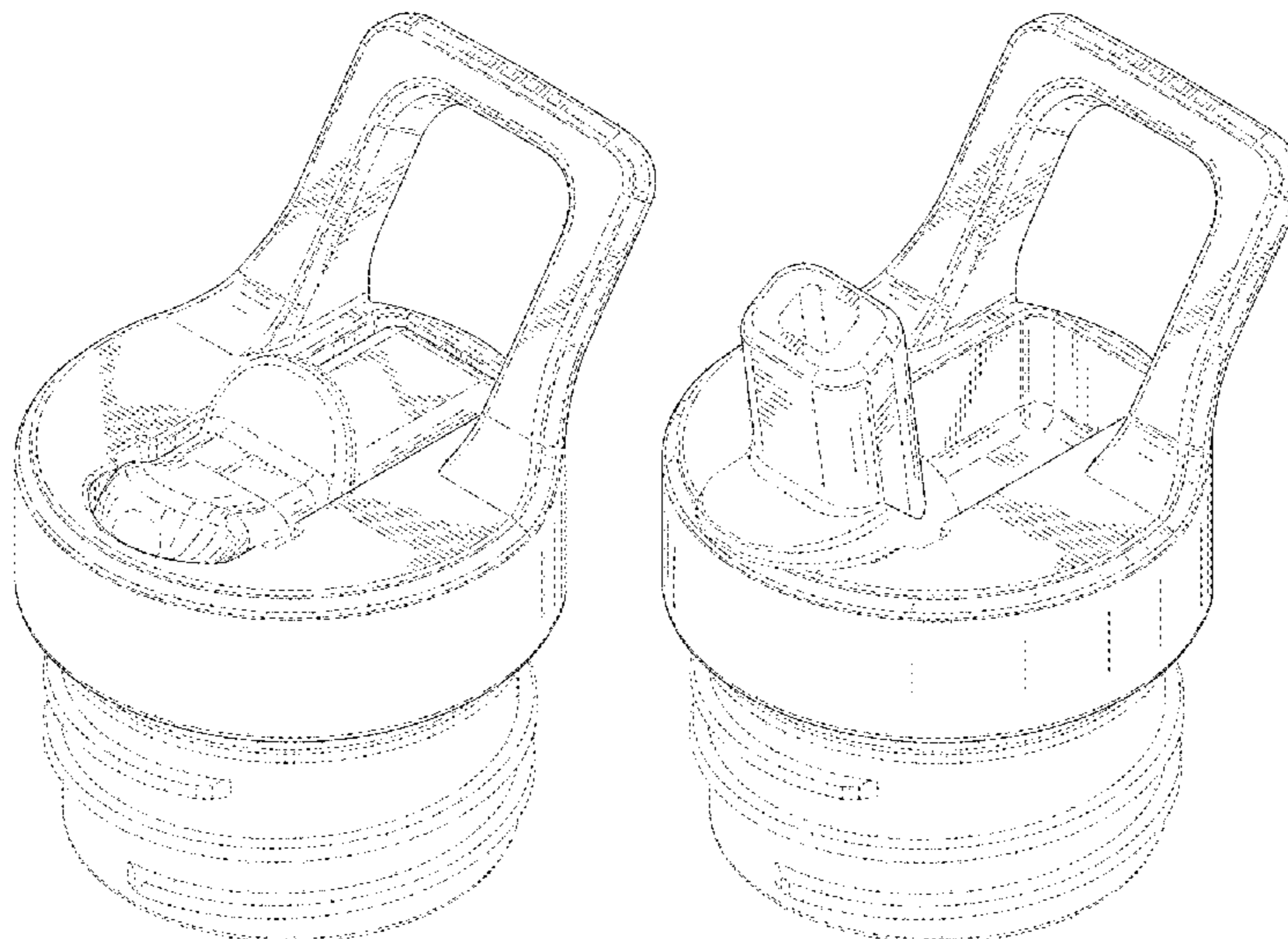
FIG. 15 is a bottom view of FIG. 9; and,

FIG. 16 is a perspective view of the bottle lid of FIG. 9, in a condition of use with a bottle.

The evenly spaced broken lines and the areas within them in the figures depict portions of the bottle lid that form no part of the claimed design. The evenly spaced broken lines in FIGS. 8 and 16 depicting environment of a bottle form no part of the claim design.

The dot-dash-dot broken lines depict boundaries of the claim and form no part thereof.

**1 Claim, 16 Drawing Sheets**



(58) **Field of Classification Search**  
 CPC ..... B65D 47/00; B65D 47/06; B65D 47/08;  
 B65D 2543/00046; B65D 2543/00092;  
 B65D 2543/00296; B65D 5/46; B65D  
 2251/00

See application file for complete search history.

(56) **References Cited**

U.S. PATENT DOCUMENTS

|          |   |   |         |          |       |          |
|----------|---|---|---------|----------|-------|----------|
| D672,238 | S | ‡ | 12/2012 | Aziz     | ..... | D7/510   |
| D672,609 | S | ‡ | 12/2012 | Aziz     | ..... | D7/510   |
| D682,034 | S | * | 5/2013  | El-Saden | ..... | D7/510   |
| D700,012 | S | ‡ | 2/2014  | Hurley   | ..... | D7/392.1 |
| D723,333 | S | ‡ | 3/2015  | Lin      | ..... | D7/511   |
| D724,385 | S | ‡ | 3/2015  | Hurley   | ..... | D7/511   |
| D729,569 | S | * | 5/2015  | Herbst   | ..... | D7/392   |
| D787,935 | S | ‡ | 5/2017  | Kaiser   | ..... | D9/435   |
| D790,920 | S | ‡ | 7/2017  | Goodwin  | ..... | D9/503   |
| D791,579 | S | ‡ | 7/2017  | Perry    | ..... | D8/354   |
| D793,154 | S | * | 8/2017  | Sorensen | ..... | D7/392.1 |
| D808,220 | S | ‡ | 1/2018  | Burns    | ..... | D7/510   |

|          |   |   |         |         |       |          |
|----------|---|---|---------|---------|-------|----------|
| D809,920 | S | ‡ | 2/2018  | Maple   | ..... | D9/449   |
| D810,504 | S | ‡ | 2/2018  | Goodwin | ..... | D7/394   |
| D811,162 | S | * | 2/2018  | Rane    | ..... | D7/396.2 |
| D811,818 | S | ‡ | 3/2018  | Wu      | ..... | D9/503   |
| D812,428 | S | ‡ | 3/2018  | Wu      | ..... | D9/503   |
| D812,966 | S | * | 3/2018  | Murosky | ..... | D7/392.1 |
| D814,855 | S | * | 4/2018  | Hammer  | ..... | D7/392.1 |
| D815,908 | S | ‡ | 4/2018  | Kauss   | ..... | D9/446   |
| D822,439 | S | ‡ | 7/2018  | Spivey  | ..... | D7/532   |
| D823,061 | S | * | 7/2018  | Murosky | ..... | D7/510   |
| D855,388 | S | * | 8/2019  | Potter  | ..... | D7/392   |
| D857,445 | S | * | 8/2019  | Keung   | ..... | D7/392.1 |
| D862,985 | S | * | 10/2019 | Backs   | ..... | D7/511   |
| D868,534 | S | * | 12/2019 | Lin     | ..... | D7/392.1 |
| D870,508 | S | * | 12/2019 | Palkon  | ..... | D7/392.1 |
| D903,403 | S | * | 12/2020 | Ames    | ..... | D7/392   |
| D929,802 | S | * | 9/2021  | Han     | ..... | D7/392.1 |
| D931,042 | S | * | 9/2021  | Burga   | ..... | D7/392.1 |
| D935,265 | S | * | 11/2021 | Chen    | ..... | D7/392.1 |
| D938,223 | S | * | 12/2021 | Chen    | ..... | D7/392.1 |
| D939,887 | S | * | 1/2022  | Hao     | ..... | D7/392.1 |

\* cited by examiner

‡ imported from a related application

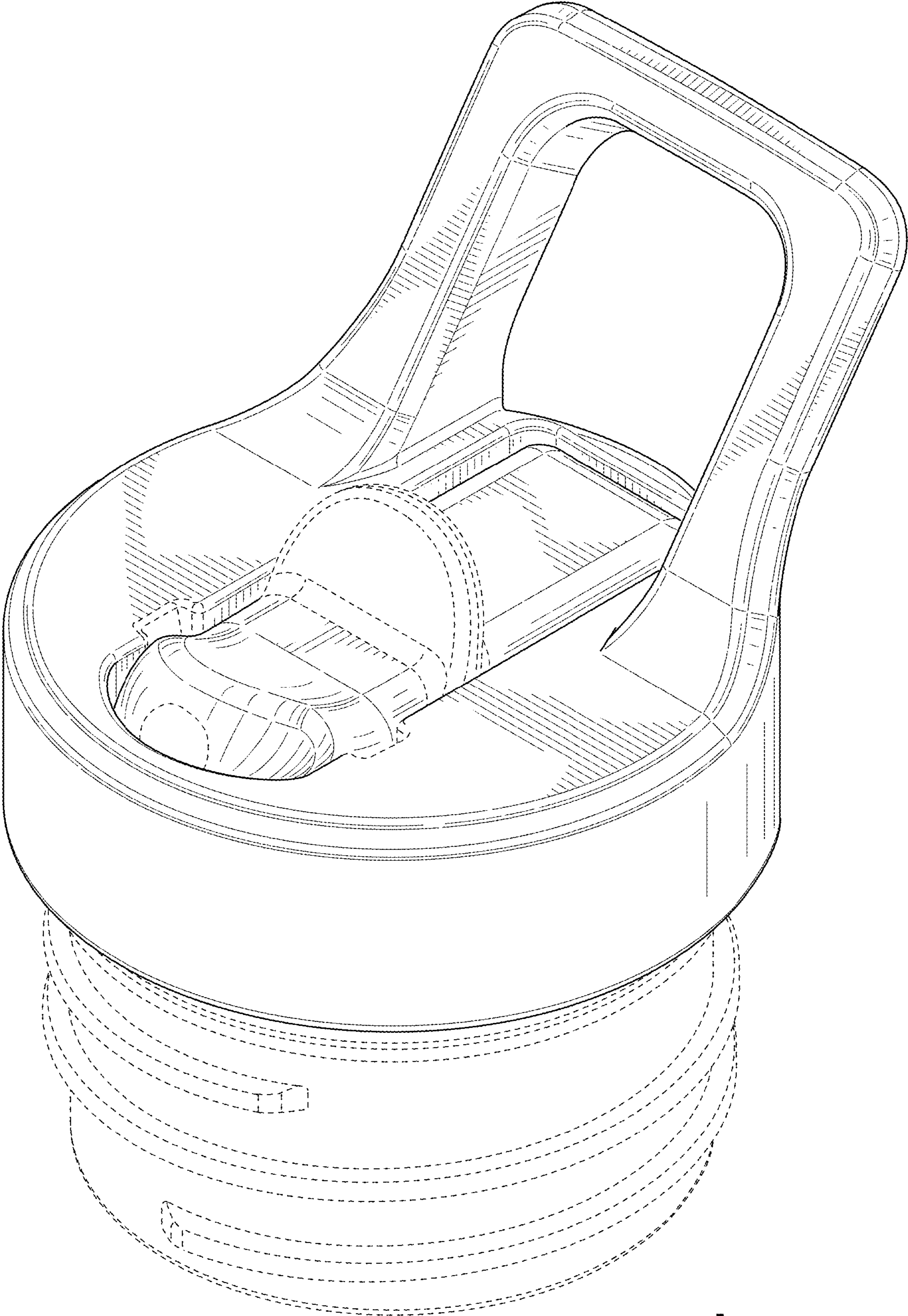


FIG. 1

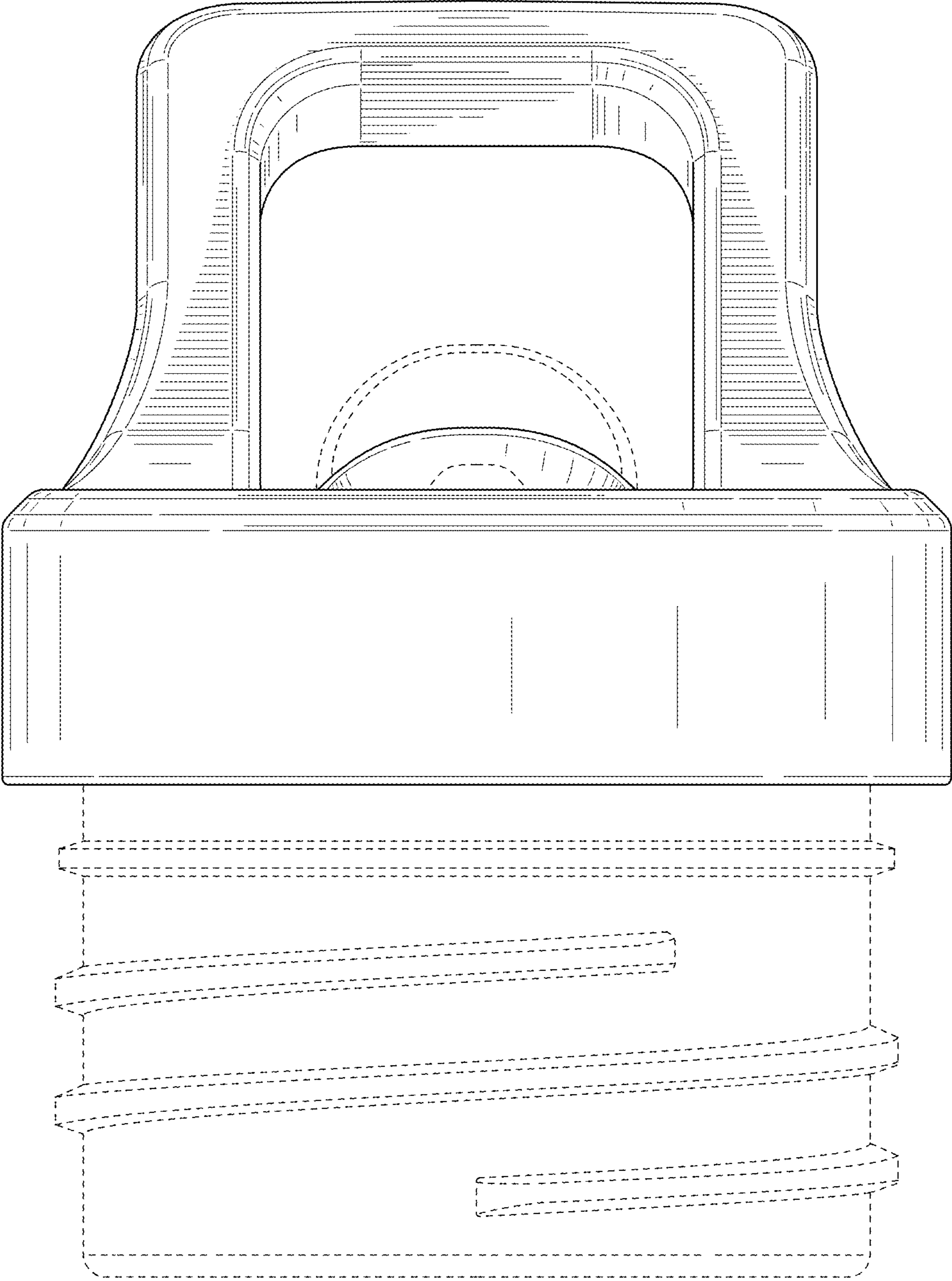


FIG. 2

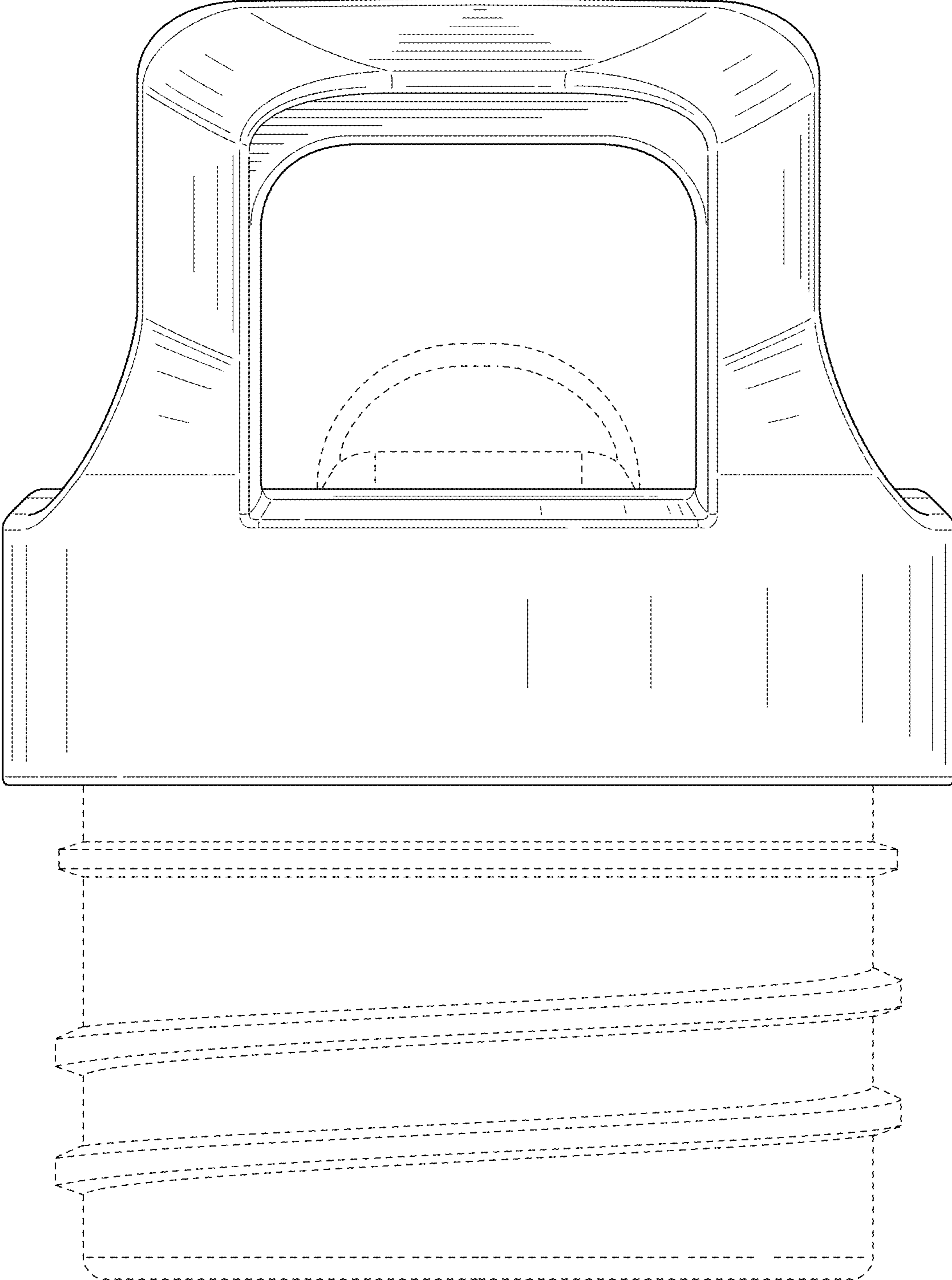


FIG. 3

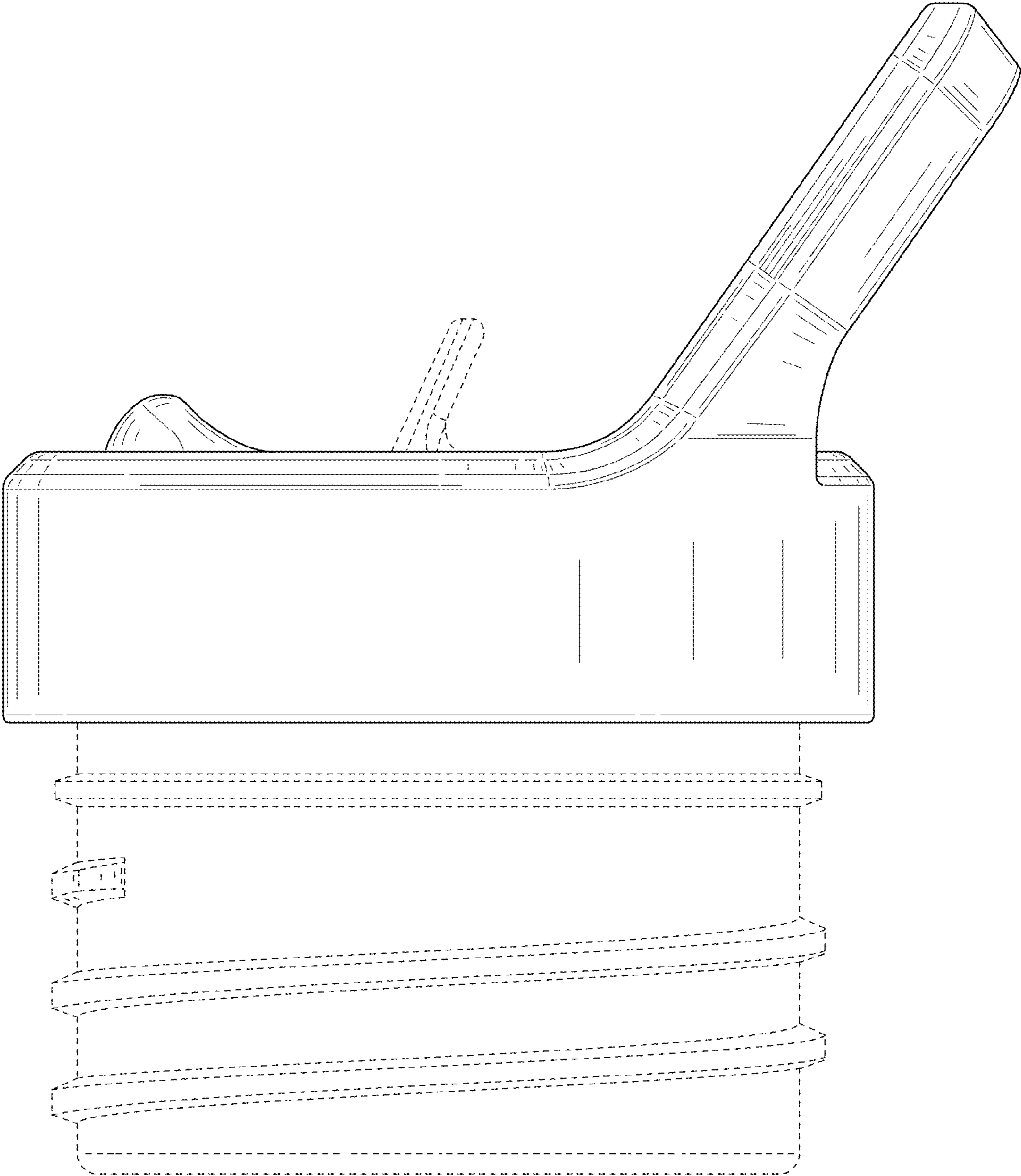


FIG. 4

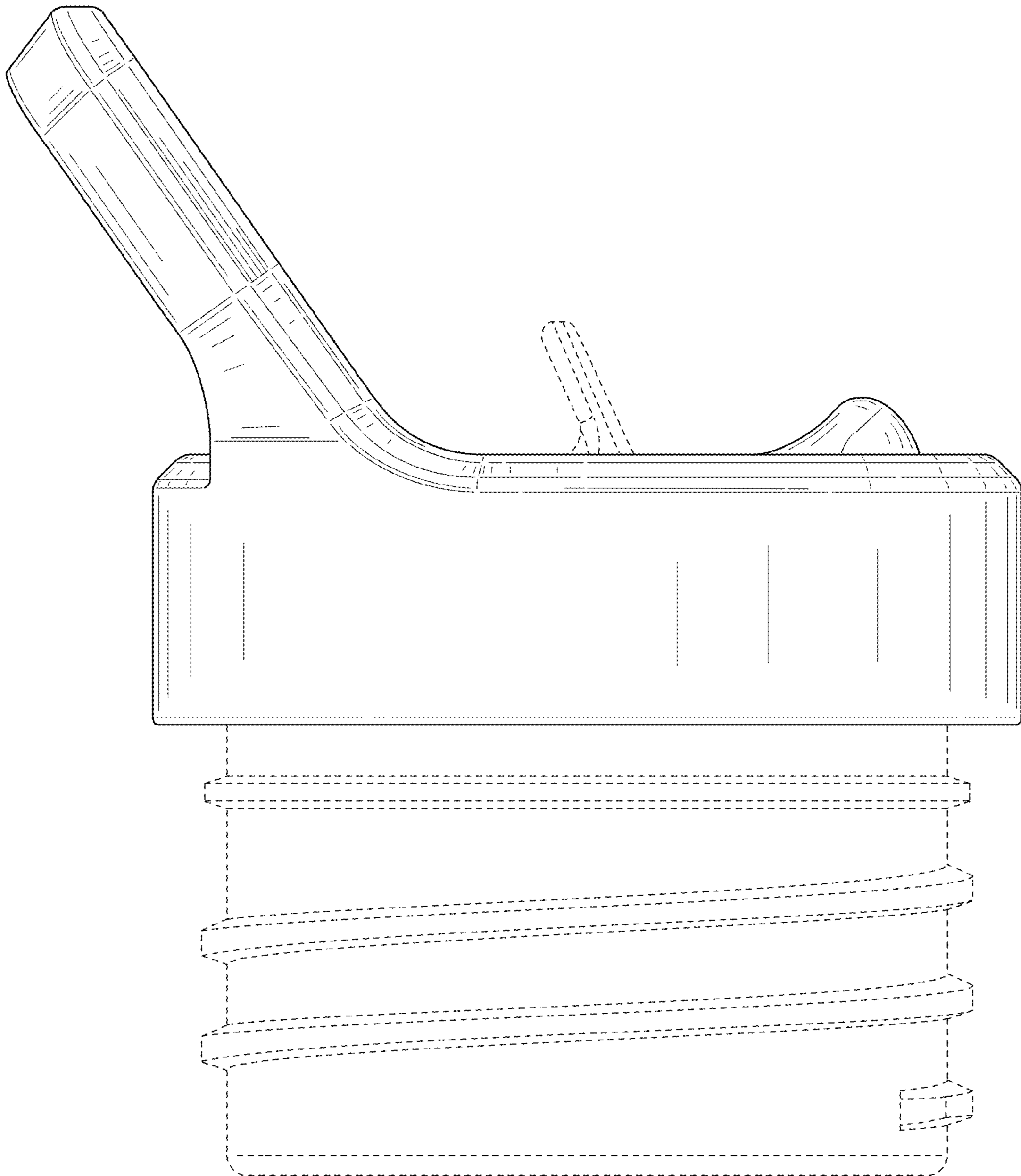


FIG. 5

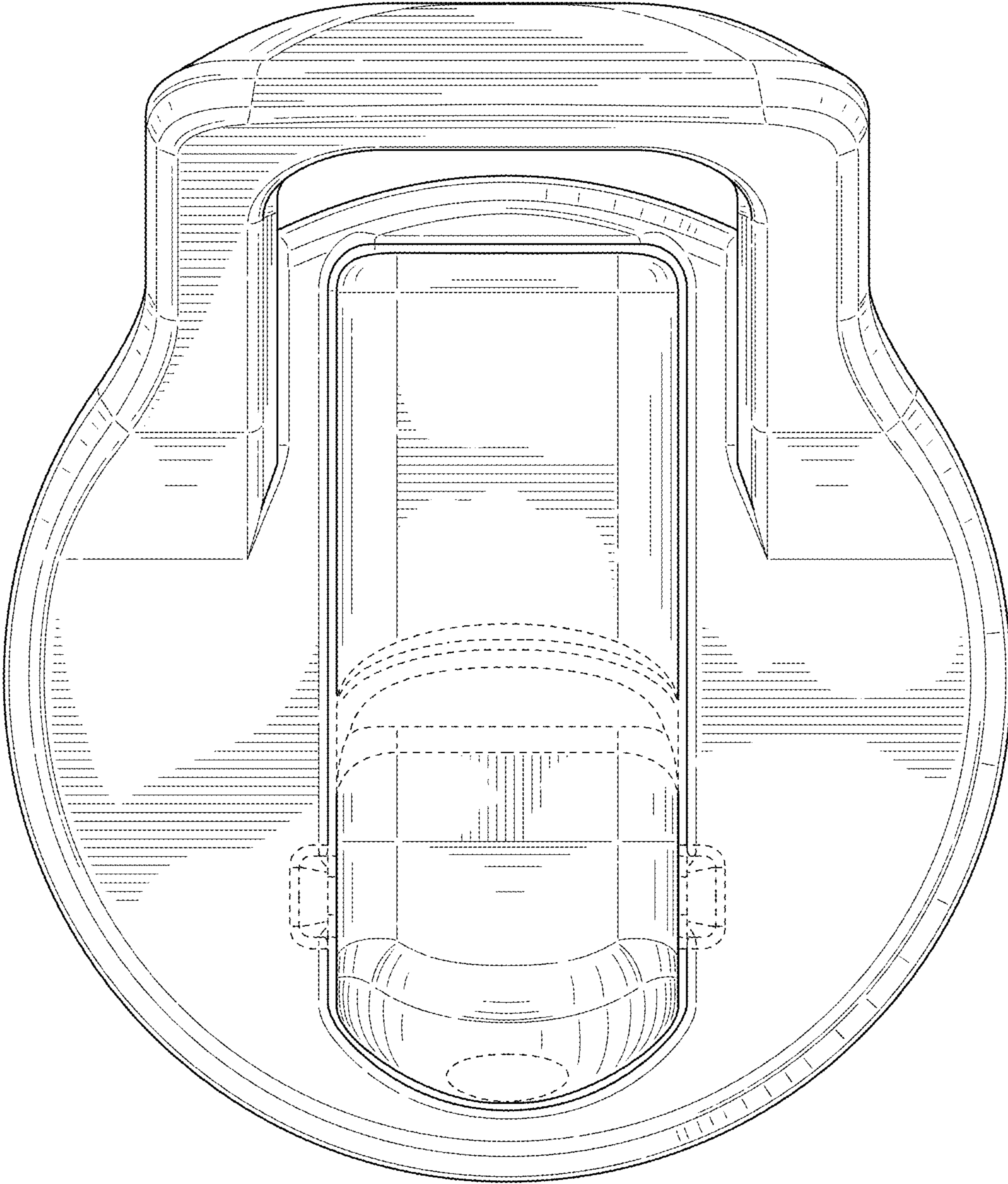


FIG. 6



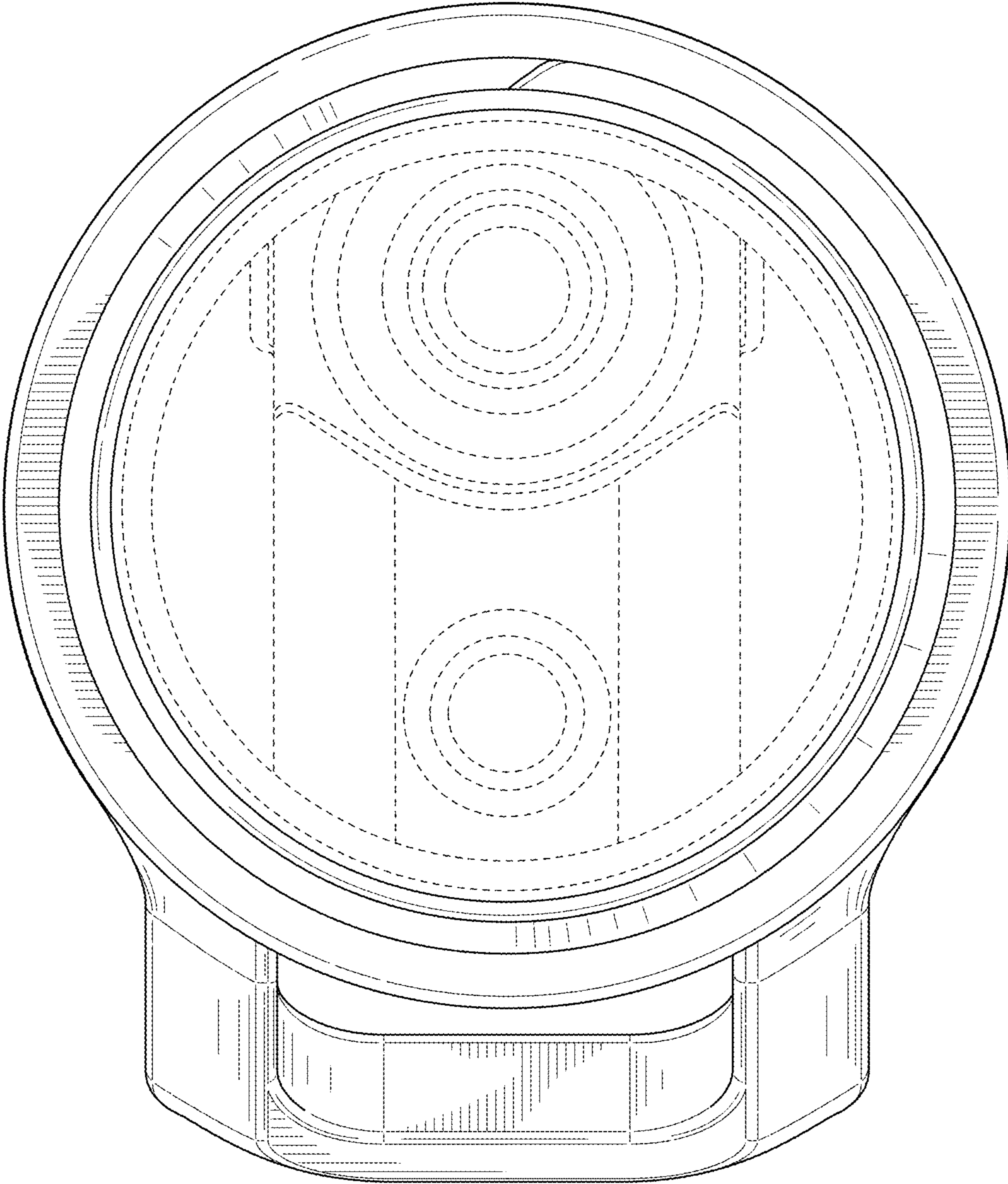


FIG. 7

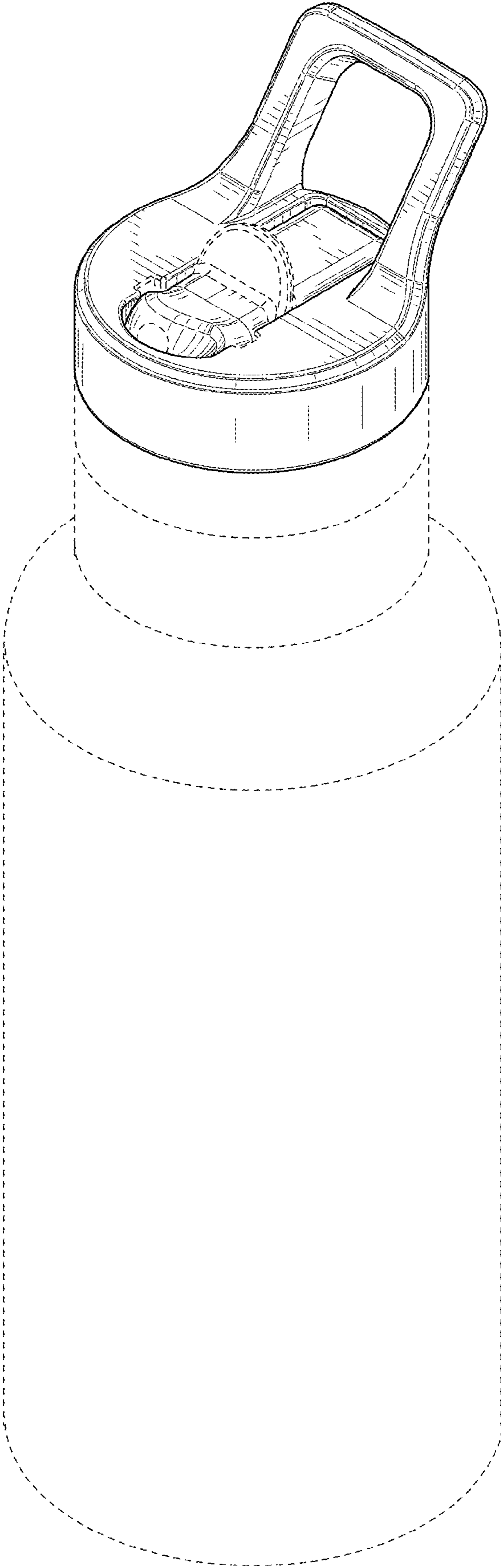


FIG. 8

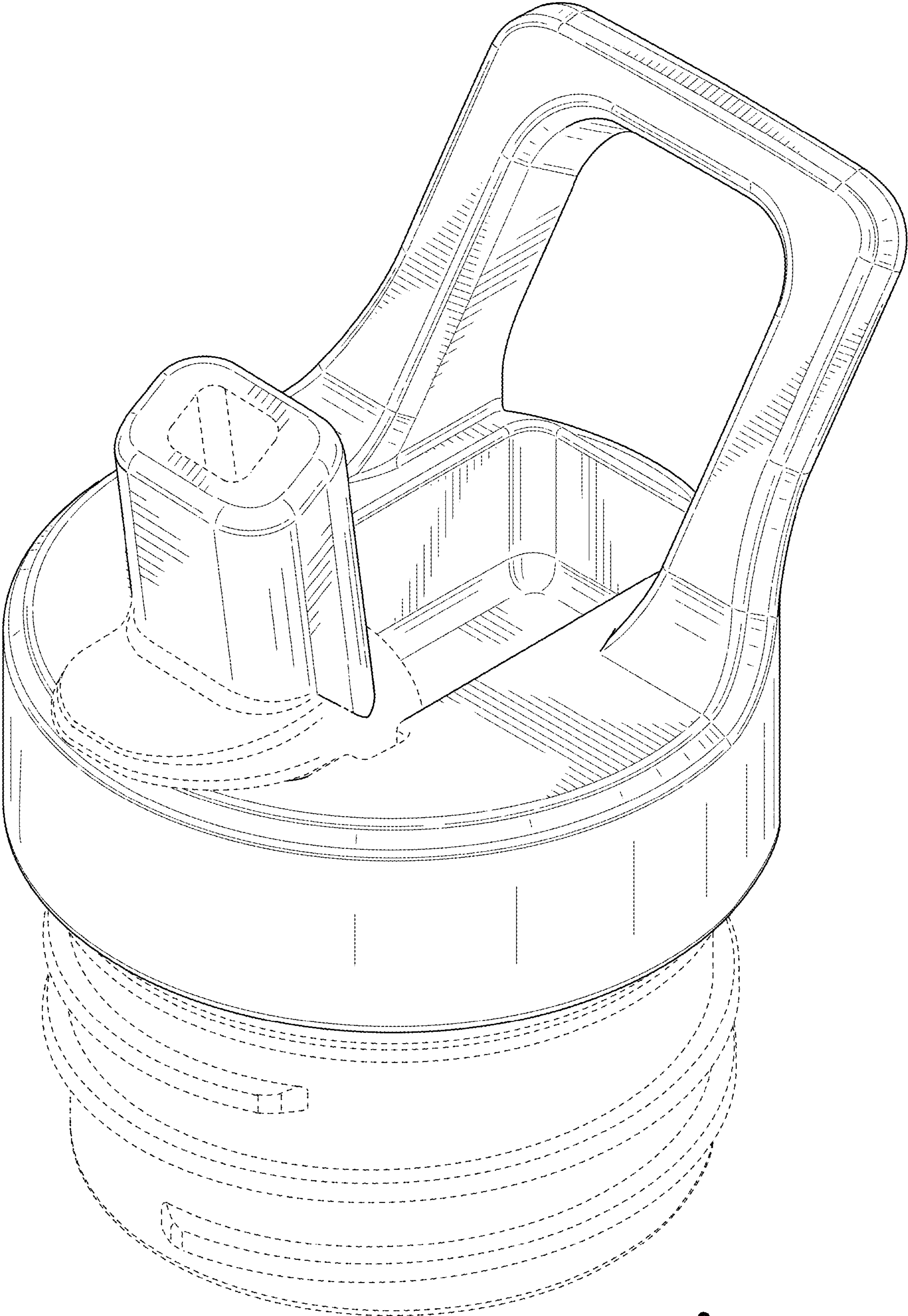


FIG. 9

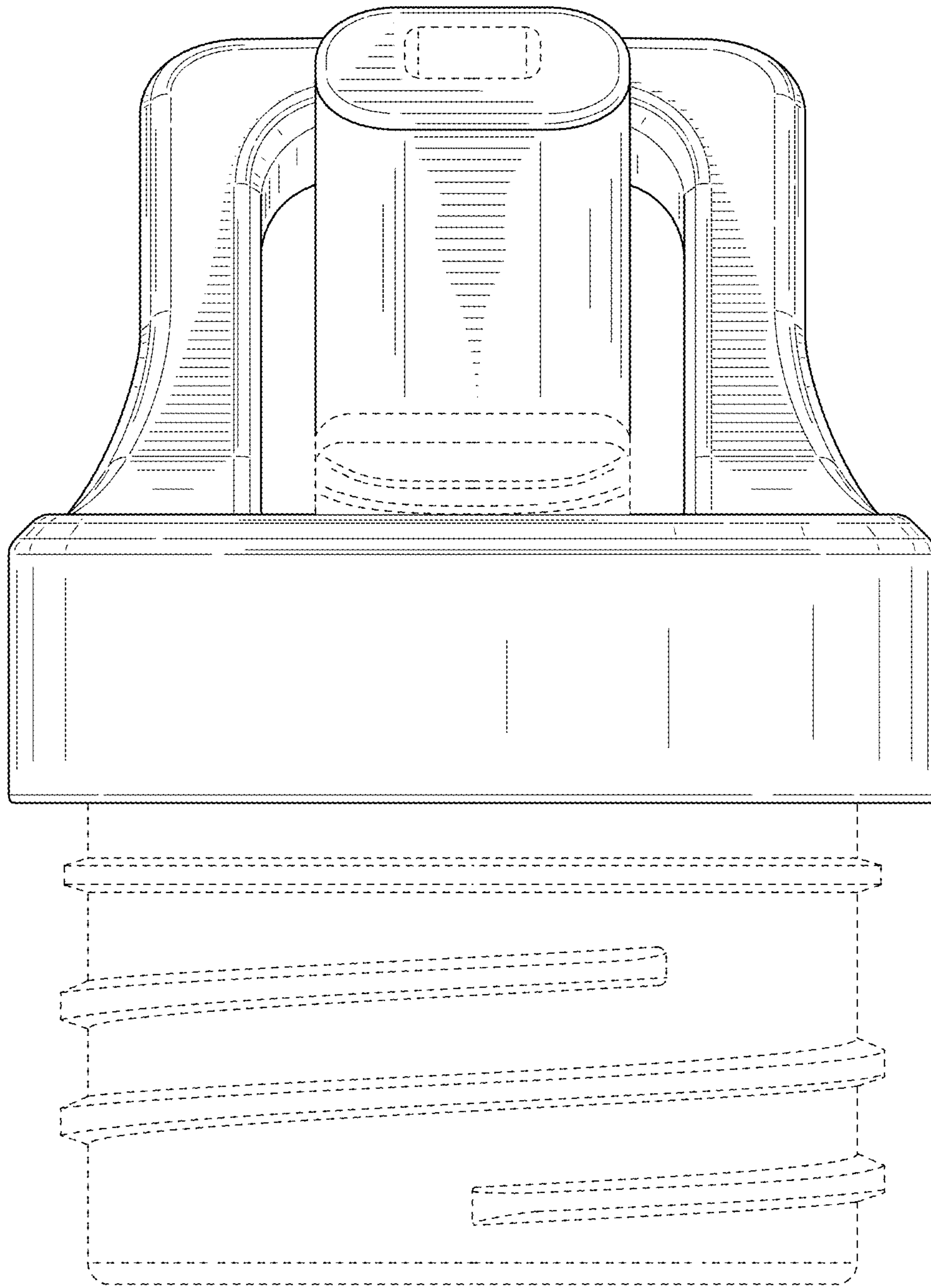


FIG. 10

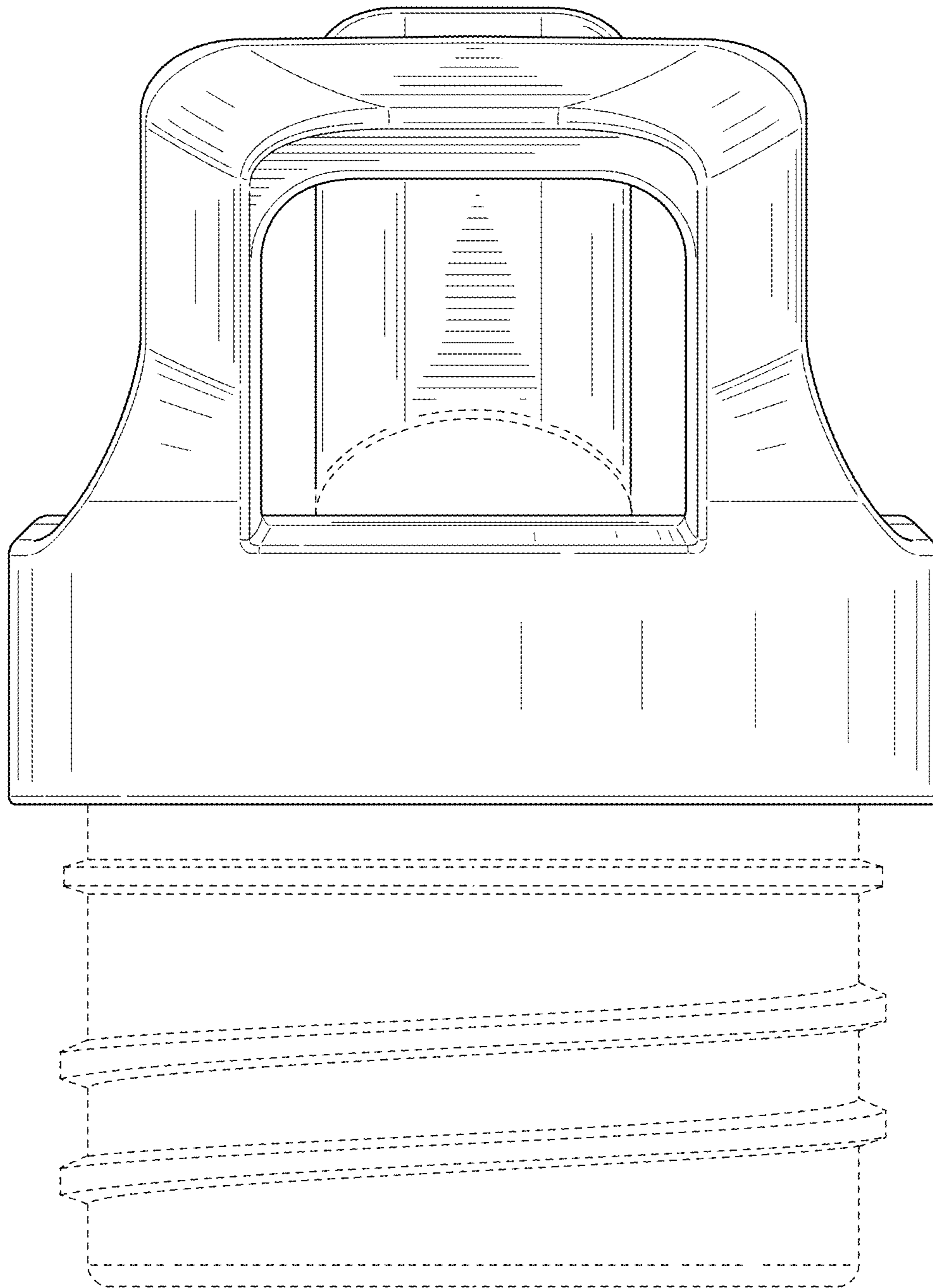


FIG. 11

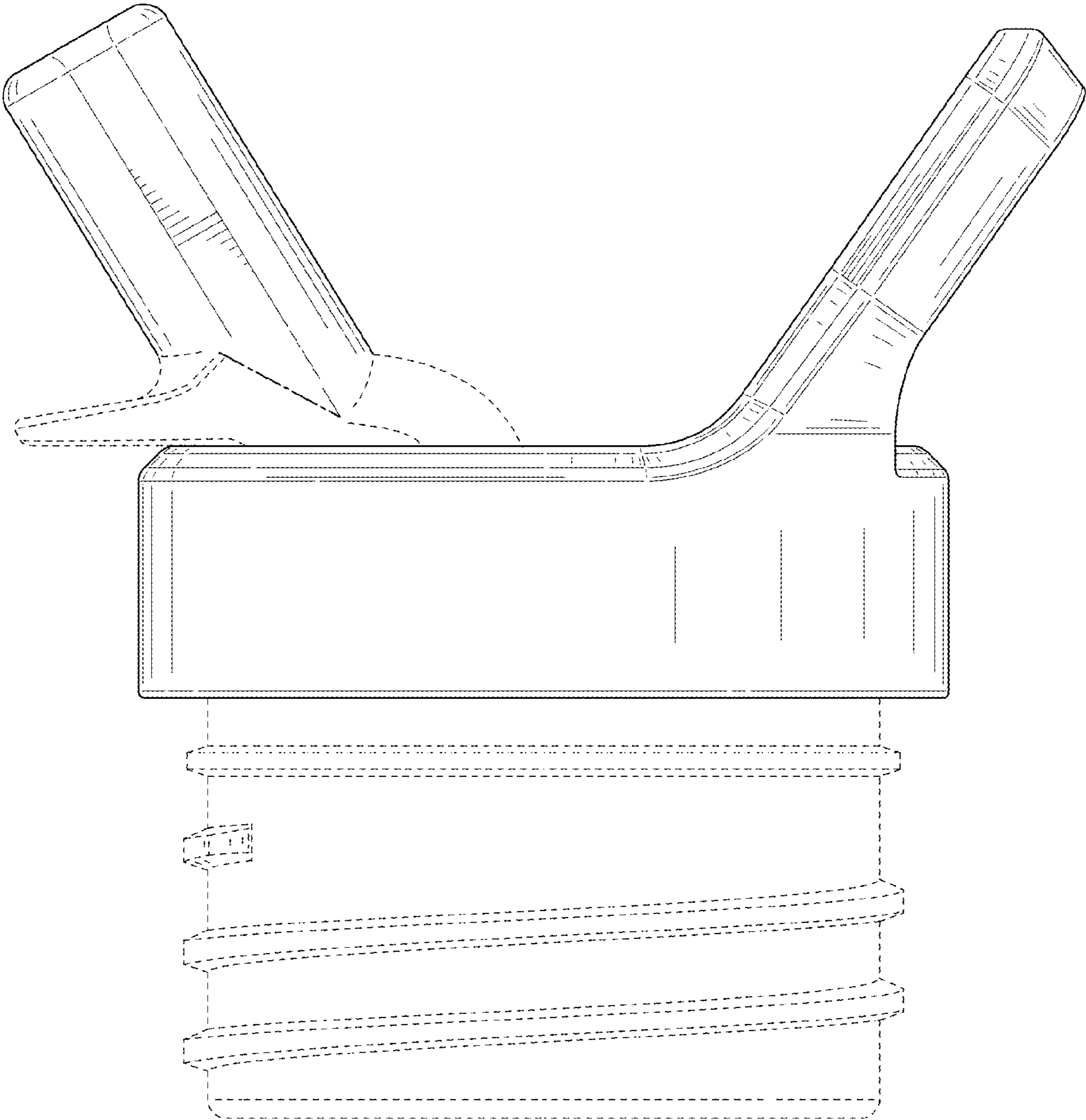


FIG. 12

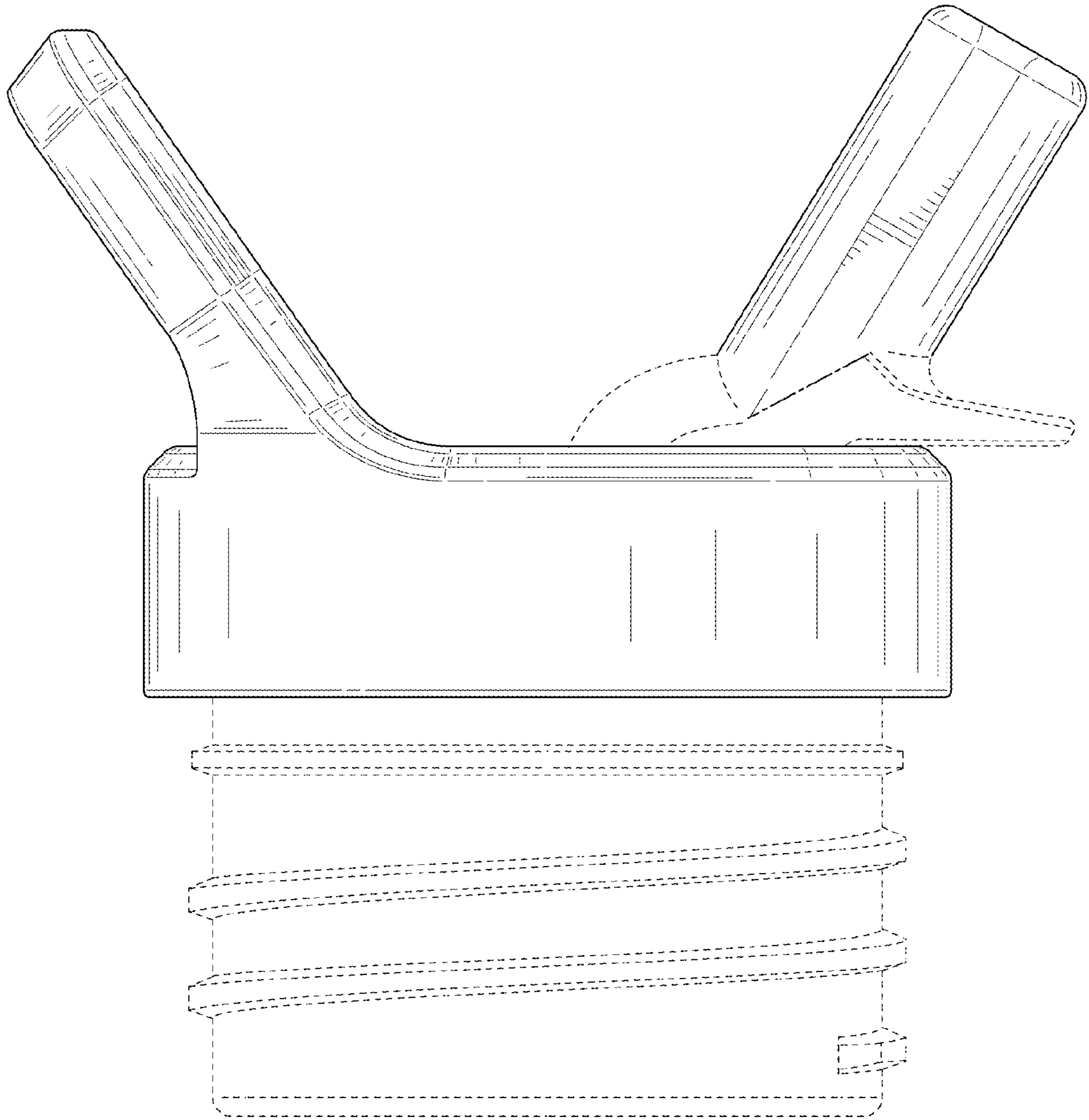


FIG. 13

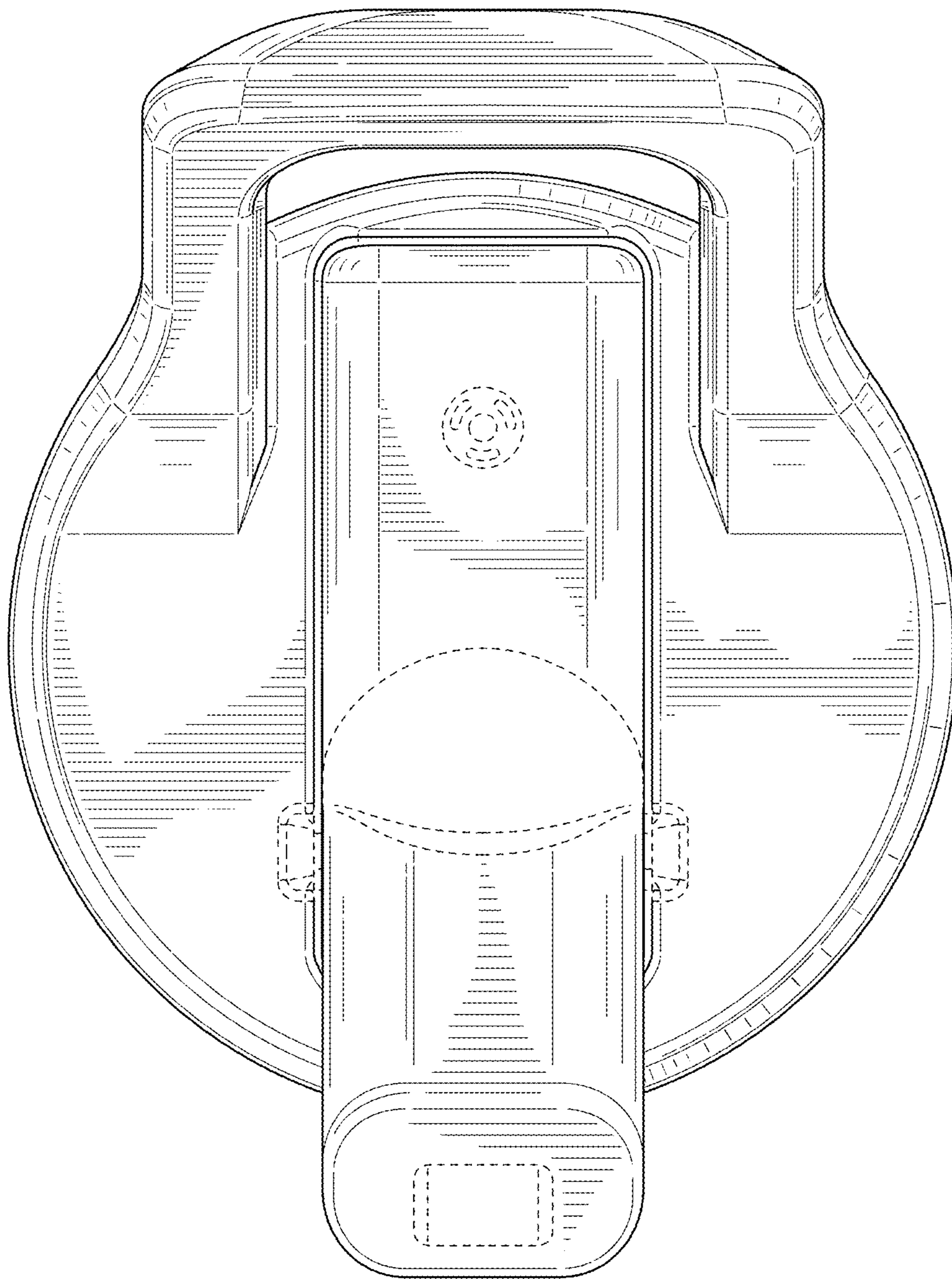


FIG. 14



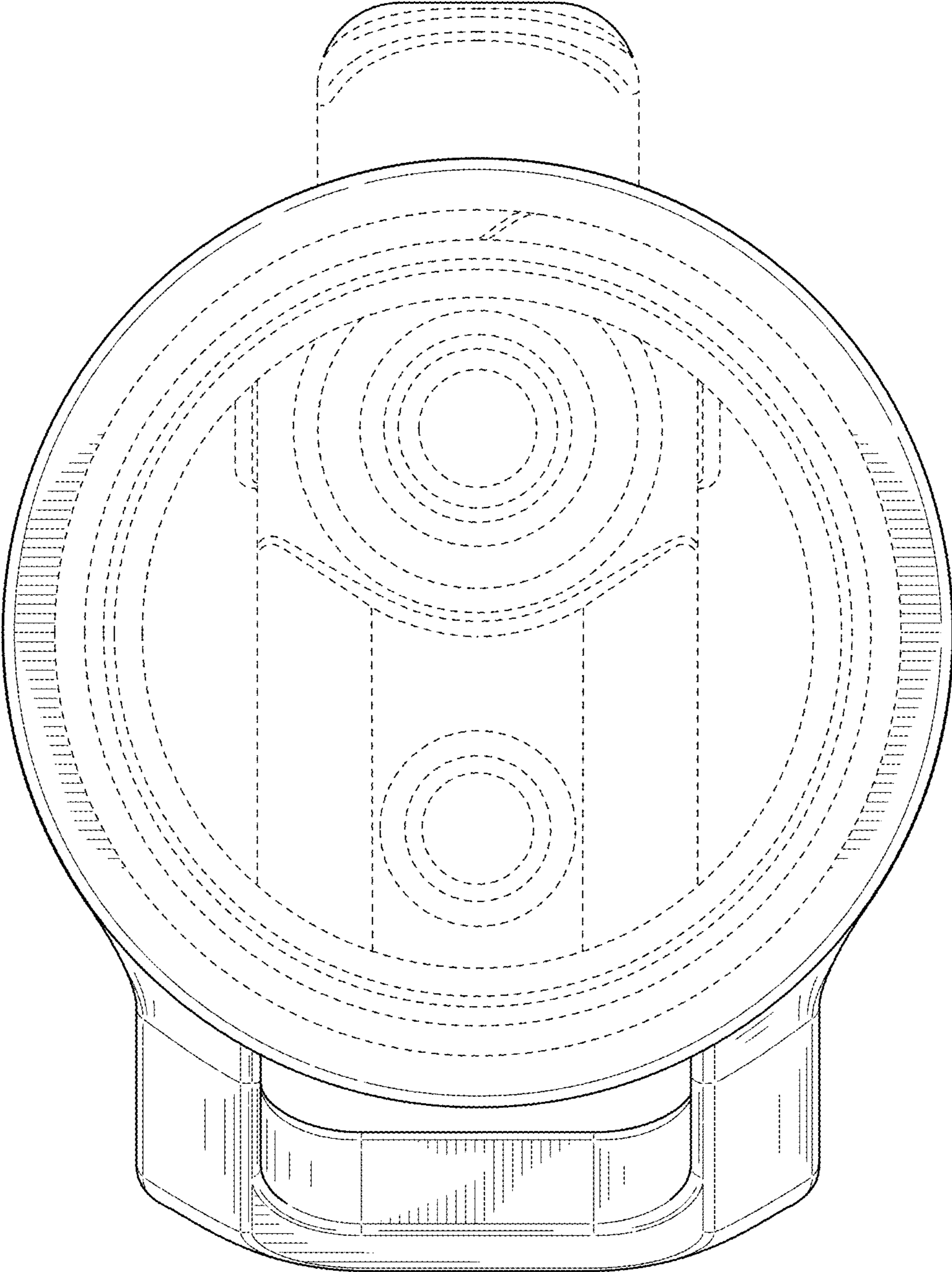


FIG. 15

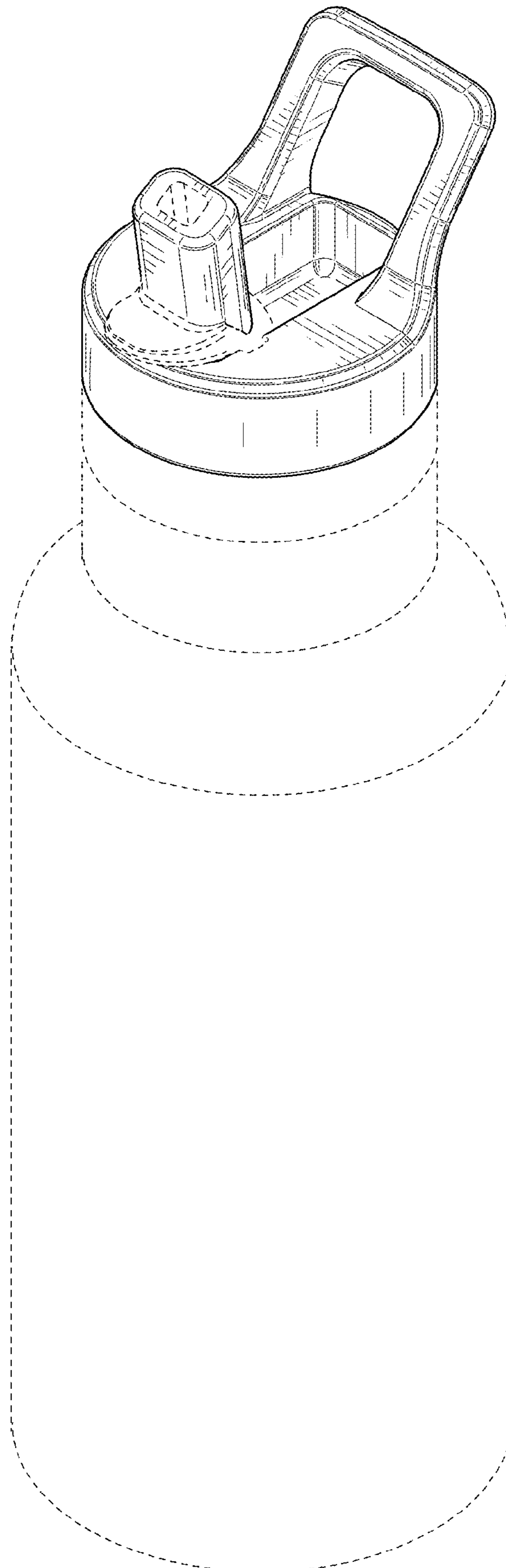


FIG. 16