



US00D953104S

(12) **United States Design Patent** (10) **Patent No.:** **US D953,104 S**  
**Seo et al.** (45) **Date of Patent:** **\*\* May 31, 2022**

(54) **LID FOR ELECTRIC KETTLE**  
(71) Applicant: **LG ELECTRONICS INC.**, Seoul (KR)  
(72) Inventors: **Woonkyu Seo**, Seoul (KR); **Miyoung Kim**, Seoul (KR); **Hyun Choi**, Seoul (KR); **Hyeonjeong An**, Seoul (KR)  
(73) Assignee: **LG ELECTRONICS INC.**, Seoul (KR)  
(\*\*) Term: **15 Years**  
(21) Appl. No.: **29/726,007**  
(22) Filed: **Feb. 28, 2020**  
(30) **Foreign Application Priority Data**  
Feb. 21, 2020 (KR) ..... 30-2020-0007883  
(51) **LOC (13) Cl.** ..... **07-02**  
(52) **U.S. Cl.**  
USPC ..... **D7/392**  
(58) **Field of Classification Search**  
USPC ..... D7/300, 301-323, 354, 360, 361, 386, D7/387, 393-396.2, 397-400, 402, 509, D7/514, 533-536, 683, 688, 691, 391; D8/300, 307; D9/431, 434-436, 504, D9/644-646, 648, 655, 656, 658; D21/523-525; 99/275; 222/129.1  
CPC ..... B67D 1/00; B67D 1/003; B67D 1/004; B67D 1/009; B67D 1/0015; B67D 1/0016; B67D 1/0021; B67D 1/0041; B67D 1/0042; B67D 1/0043; B67D 1/06; A47G 19/14; A47G 19/22; A47G 19/2205; A47G 19/2266; A47G 19/2272; A47J 27/21; A47J 27/21008; A47J 27/2105; A47J 27/21091; A47J 27/21166; A47J 27/21175; A47J 31/00; A47J 31/007; A47J 31/46

See application file for complete search history.

(56) **References Cited**  
U.S. PATENT DOCUMENTS  
D216,217 S \* 12/1969 Jacobsen ..... A47J 27/21166 D7/391  
D243,741 S \* 3/1977 Hauenstein ..... D7/392  
D279,759 S \* 7/1985 Cesaroni ..... D7/391  
D544,296 S \* 6/2007 Kloppsteck ..... D7/391  
(Continued)

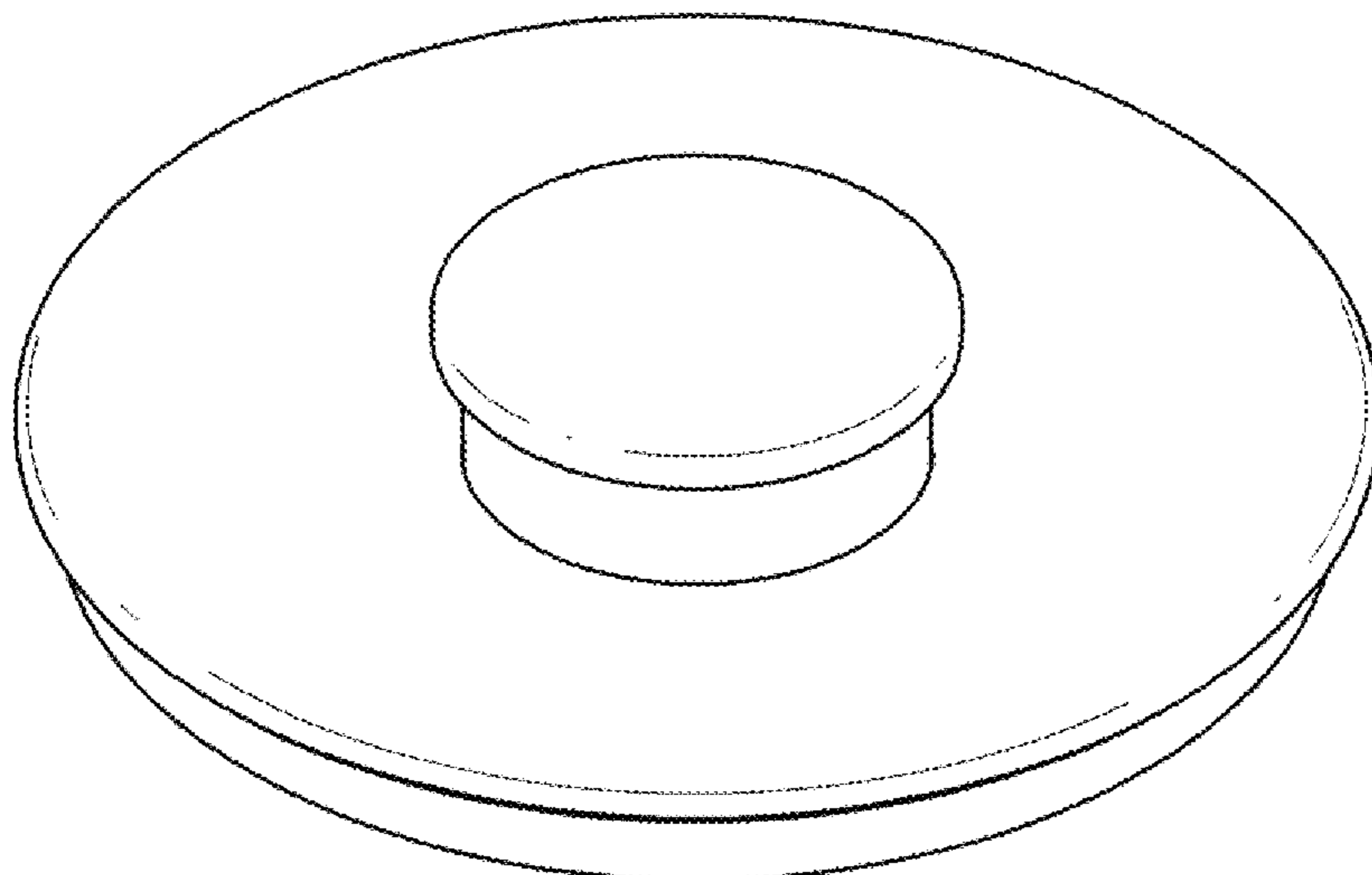
**OTHER PUBLICATIONS**  
Design No. 300770656.0000, Nov. 6, 2014—Korean Intellectual Property Office (KIPO) Publication Date—Nov. 13, 2014 Owner—Kokako, Designer—Kim Young Jong WIPO, available at <https://www3.wipo.int/designdb/en/index.jsp> (Year: 2014).\*  
(Continued)

*Primary Examiner* — Mary Ann Calabrese  
*Assistant Examiner* — Natalya M Rapundalo  
(74) *Attorney, Agent, or Firm* — Birch, Stewart, Kolasch & Birch, LLP

(57) **CLAIM**  
The ornamental design for a lid for electric kettle, as shown and described.

**DESCRIPTION**  
FIG. 1 is a front, right side, perspective view of a lid for electric kettle showing our new design;  
FIG. 2 is a rear perspective view thereof;  
FIG. 3 is a front view thereof;  
FIG. 4 is a rear view thereof;  
FIG. 5 is a left side view thereof;  
FIG. 6 is a right side view thereof;  
FIG. 7 is a top view thereof;  
FIG. 8 is a bottom view thereof; and,  
FIG. 9 is a front, right side perspective view showing the claimed design in an environment of use.  
The broken lines depict environment that forms no part of the claimed design.

**1 Claim, 9 Drawing Sheets**



(56)

**References Cited**

U.S. PATENT DOCUMENTS

D833,196 S \* 11/2018 Mutch ..... D7/318  
D856,734 S \* 8/2019 Lee ..... D7/318  
D885,818 S \* 6/2020 Xu ..... D7/317  
D887,792 S \* 6/2020 Basios ..... D7/629  
D893,946 S \* 8/2020 McConnell ..... D7/399  
D907,430 S \* 1/2021 Pentelovitch ..... A47G 19/16  
D7/391  
2020/0085228 A1 \* 3/2020 Williamson ..... A47G 19/16  
2020/0297144 A1 \* 9/2020 Ahn ..... A47J 27/21166  
2021/0127904 A1 \* 5/2021 Park ..... A47J 43/046

OTHER PUBLICATIONS

Bodum 11940-01US Bistro Gooseneck Electric Water Kettle, first available Aug. 5, 2020, Amazon, [online], [site visited Sep. 20, 2021], Available from internet URL: <https://www.amazon.com/Bodum-11940-01US-Bistro-Gooseneck-Electric/dp/B08FBJPZFP> (Year: 2020).\*

\* cited by examiner

FIG. 1

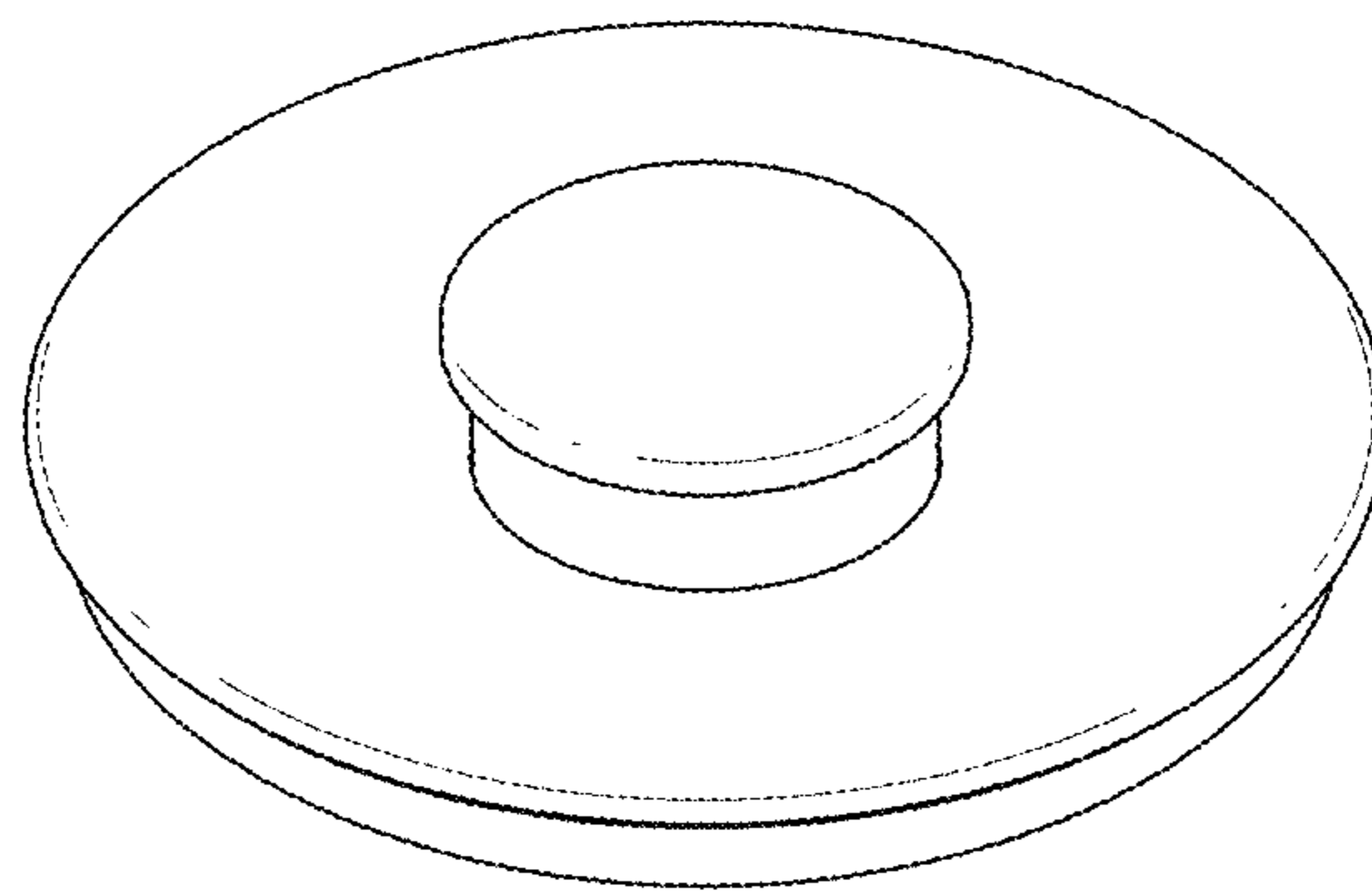


FIG. 2

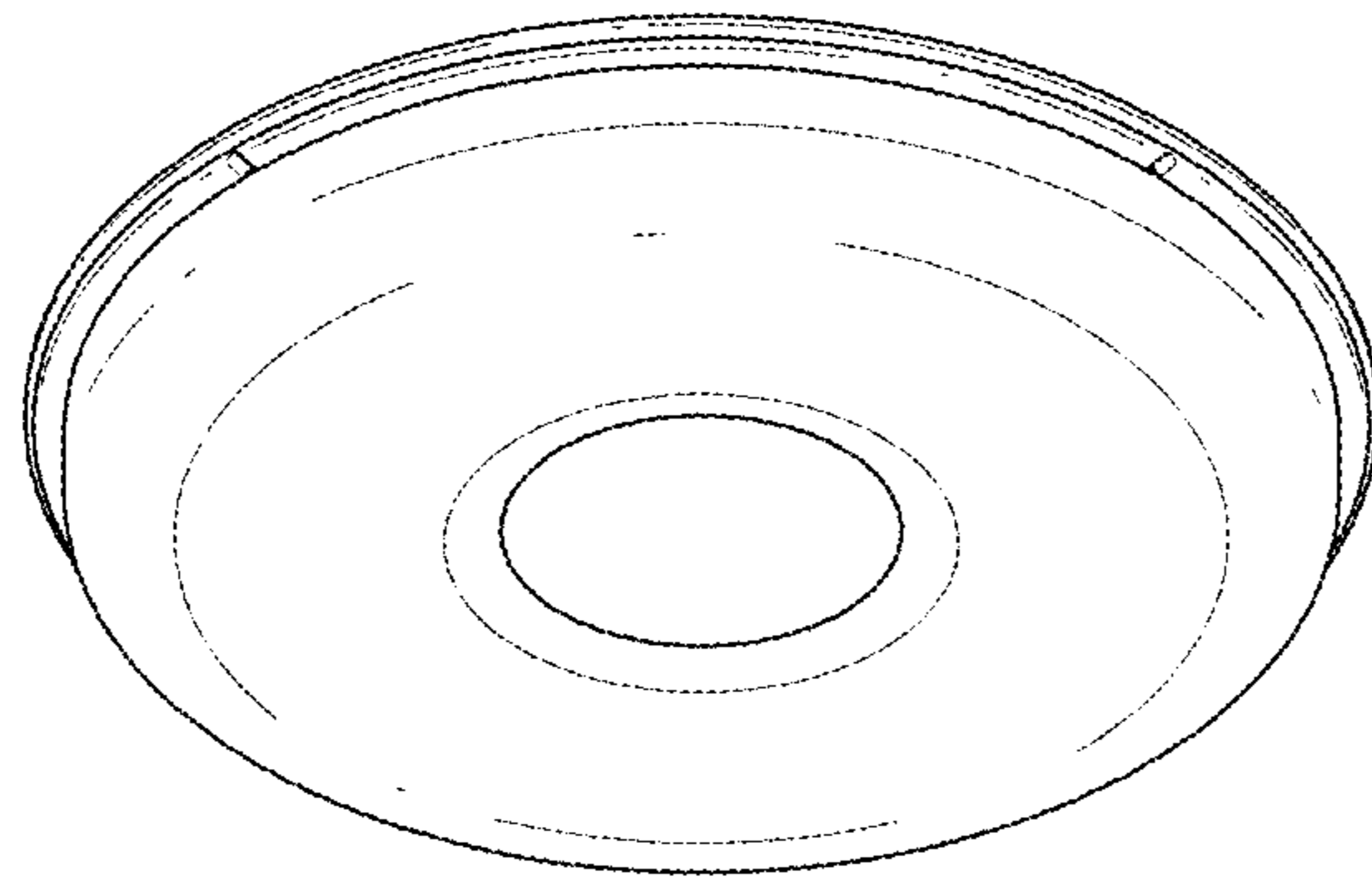


FIG. 3

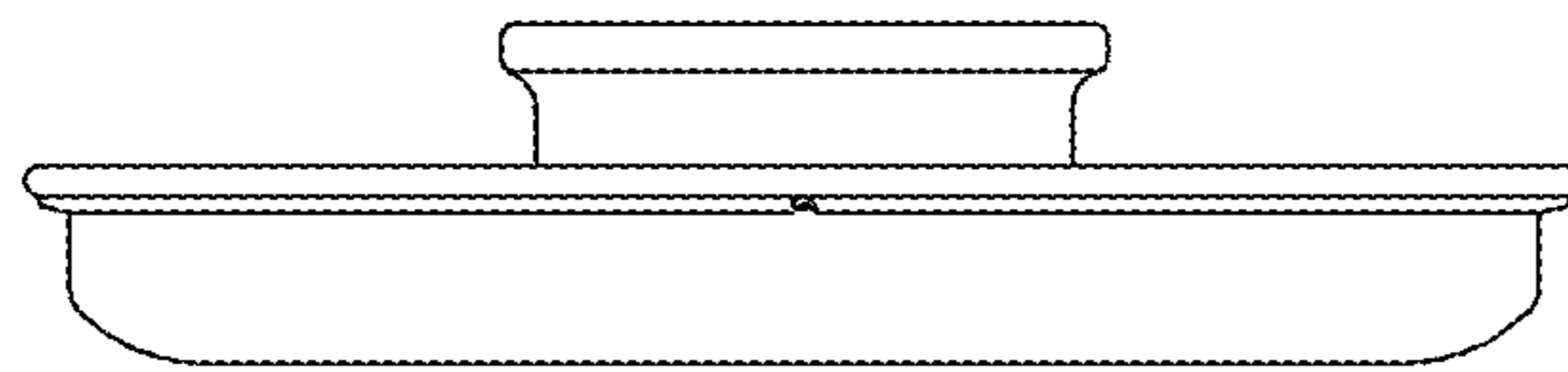


FIG. 4

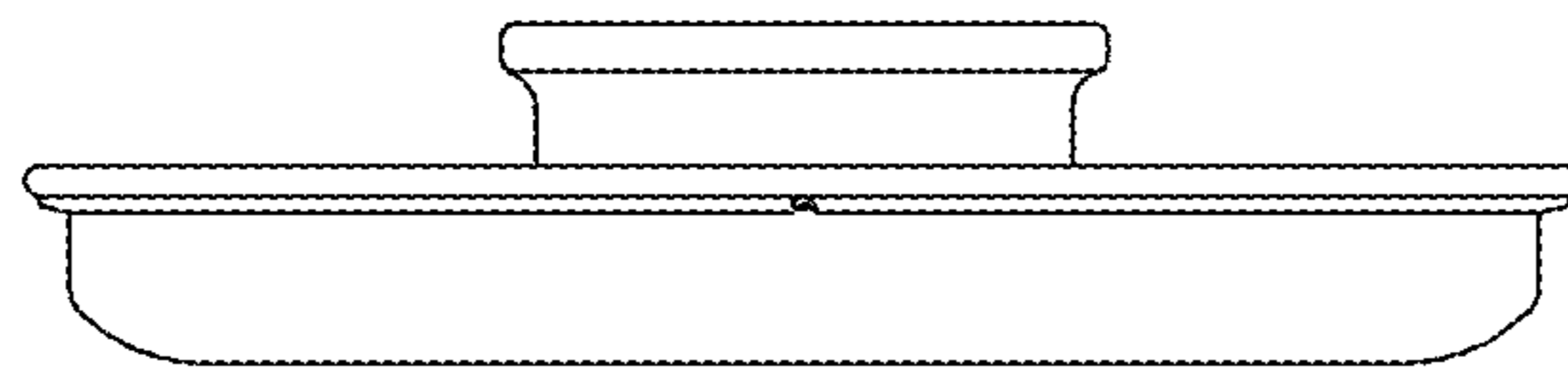


FIG. 5

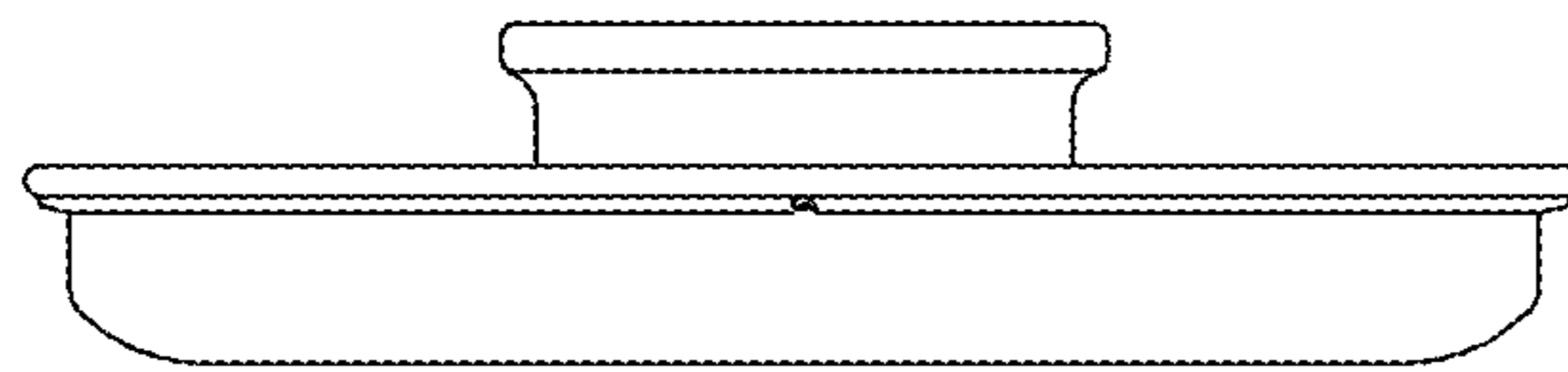


FIG. 6

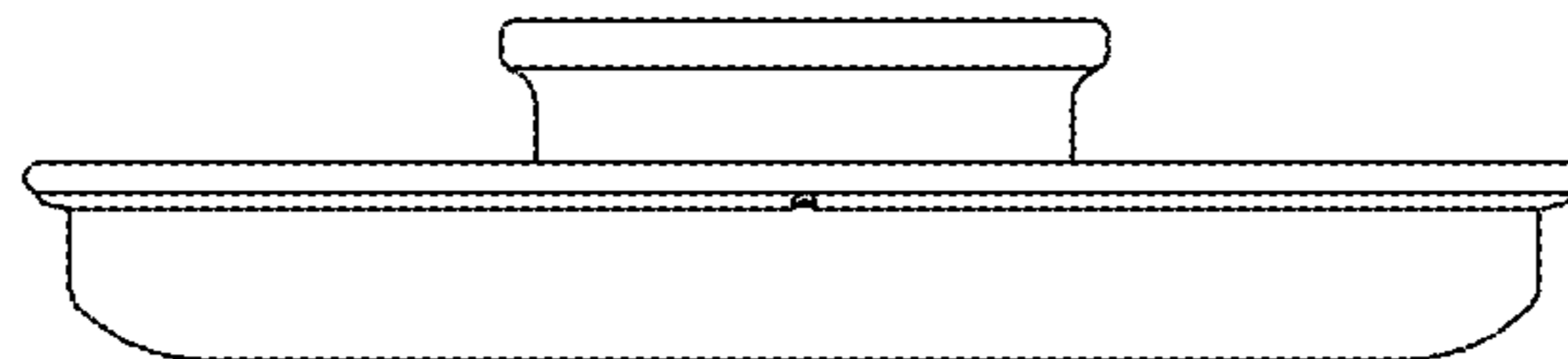




FIG. 7

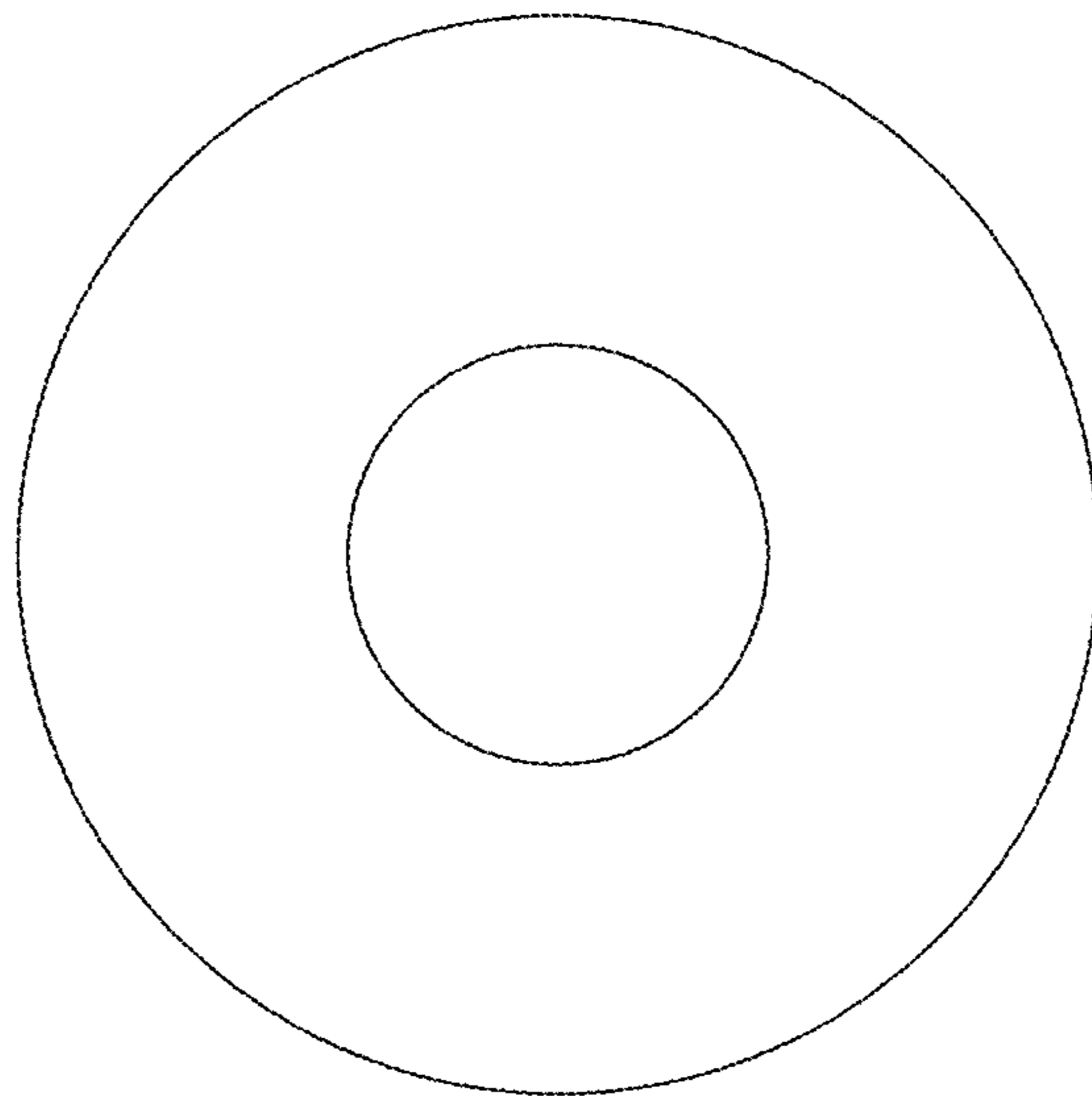


FIG. 8

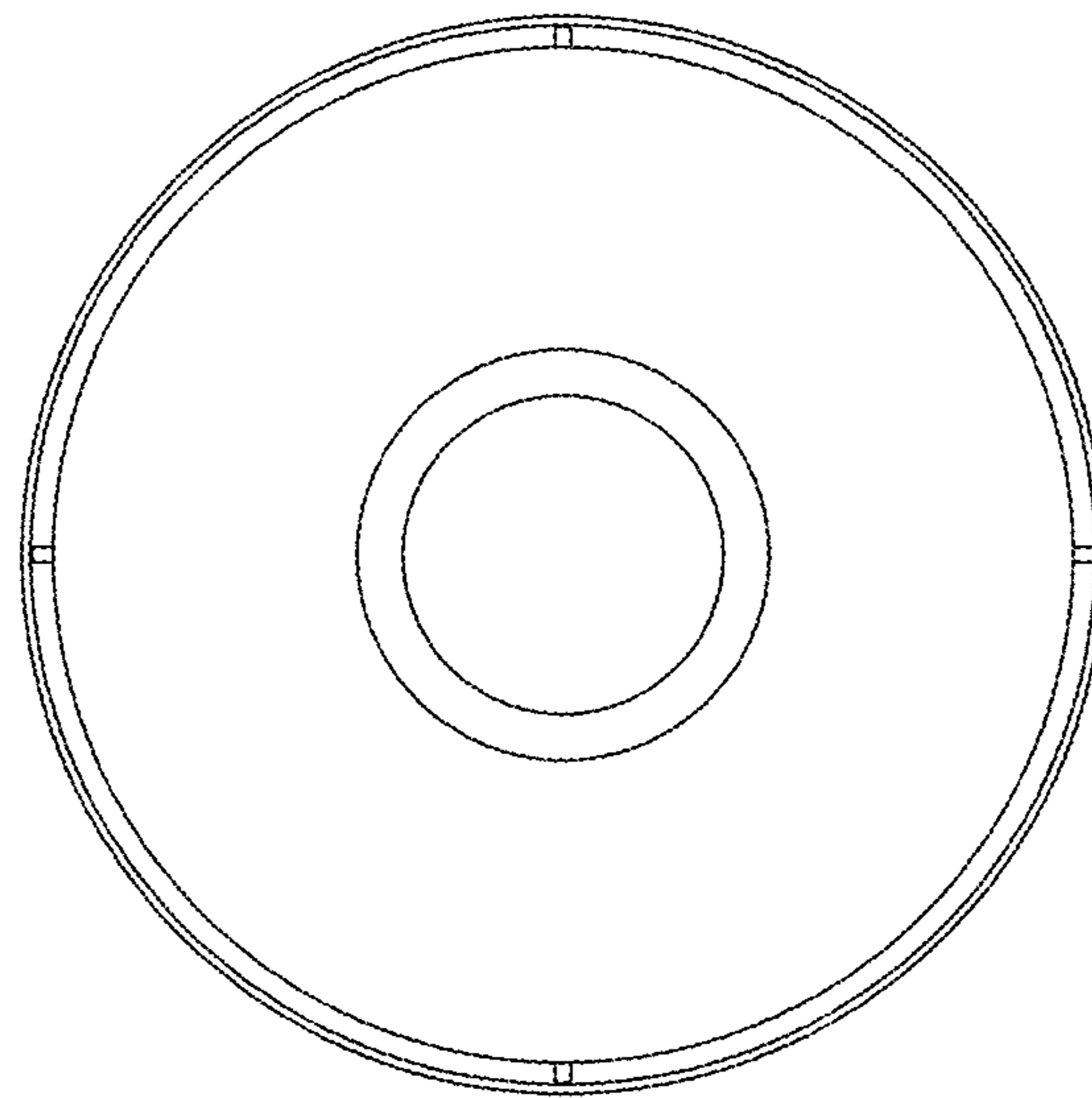


FIG. 9

