



US00D953099S

(12) **United States Design Patent**
Li

(10) **Patent No.:** **US D953,099 S**

(45) **Date of Patent:** **** May 31, 2022**

(54) **LID FOR BOWLS**

(71) Applicant: **Guangcheng Li**, Guangzhou (CN)

(72) Inventor: **Guangcheng Li**, Guangzhou (CN)

(**) Term: **15 Years**

(21) Appl. No.: **29/730,865**

(22) Filed: **Apr. 9, 2020**

(51) **LOC (13) Cl.** **07-02**

(52) **U.S. Cl.**
USPC **D7/391**

(58) **Field of Classification Search**
USPC D7/391, 392, 392.1, 393, 397, 601-602,
D7/629-630, 538-542; D9/414,
D9/424-432, 435, 451-454
CPC A47J 36/027; A47J 36/06; A47J 37/10;
A47J 37/101; B65D 21/0209; B65D
43/00; B65D 43/02; B65D 43/0206;
B65D 43/022; B65D 43/161; B65D
43/162; B65D 45/00; B65D 45/16; B65D
45/18; B65D 51/16; B65D 51/1683;
B65D 51/1688; B65D 51/1694; B65D
2251/00; B65F 1/1615
See application file for complete search history.

(56) **References Cited**

U.S. PATENT DOCUMENTS

D339,958 S *	10/1993	Olsen	D7/392.1
D383,939 S *	9/1997	Jeppesen	D7/391
D419,394 S *	1/2000	Wilson	D7/629
D445,687 S *	7/2001	Gilbertson	D7/392.1
D475,897 S *	6/2003	Zettle	D7/538
D478,469 S *	8/2003	Roth	F25D 3/08
				D7/392.1
D507,155 S *	7/2005	Gosen	D7/629
D519,327 S *	4/2006	Tucker	D7/629

D526,564 S *	8/2006	Slavin	D9/454
D528,359 S *	9/2006	Laib	D7/392.1
D614,439 S *	4/2010	Olivari	D7/392.1
D723,340 S *	3/2015	Maxwell	D7/629
D901,296 S *	11/2020	Moore	D9/435

OTHER PUBLICATIONS

Tupperware S.S. Bowl Airtight Storage Container Set. Date First Available on Amazon.com Jul. 4, 2018. [https://www.amazon.com/Tupperware-S-S-Airtight-Storage-Container/dp/B07NJ731V5/ref\(Year:2018\).](https://www.amazon.com/Tupperware-S-S-Airtight-Storage-Container/dp/B07NJ731V5/ref(Year:2018).)*

* cited by examiner

Primary Examiner — Ricky Pham

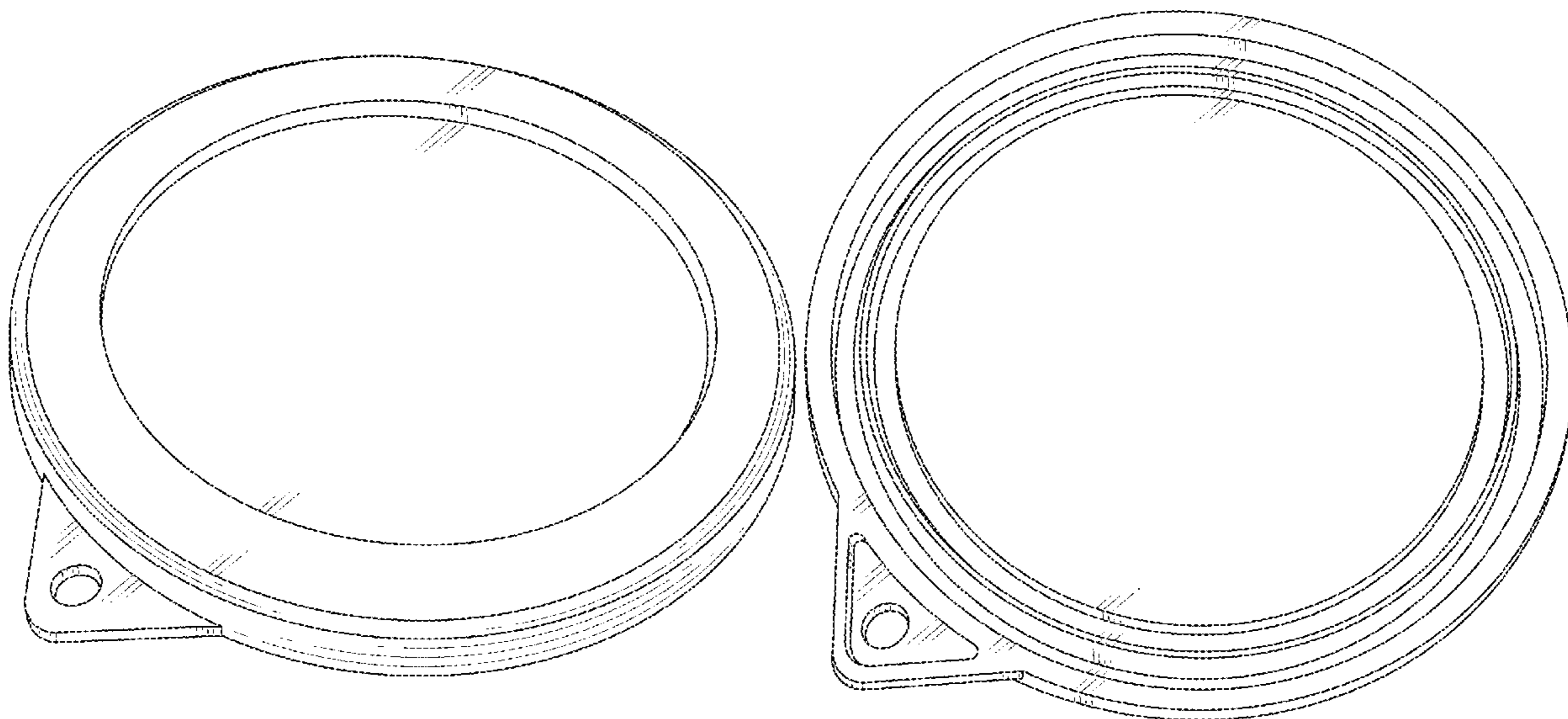
(57) **CLAIM**

The ornamental design for a lid for bowls, as shown and described.

DESCRIPTION

FIG. 1 is a perspective view of a lid for bowls showing my new design;
FIG. 2 is a front elevational view thereof;
FIG. 3 is a rear elevational view thereof;
FIG. 4 is a left side elevational view thereof;
FIG. 5 is a right side elevational view thereof;
FIG. 6 is a top plan view thereof;
FIG. 7 is a bottom plan view thereof; and,
FIG. 8 is a perspective view thereof.
The broken lines shown in drawings are for the purpose of illustrating portions of the lid for bowls and form no part of the claimed design.

1 Claim, 8 Drawing Sheets



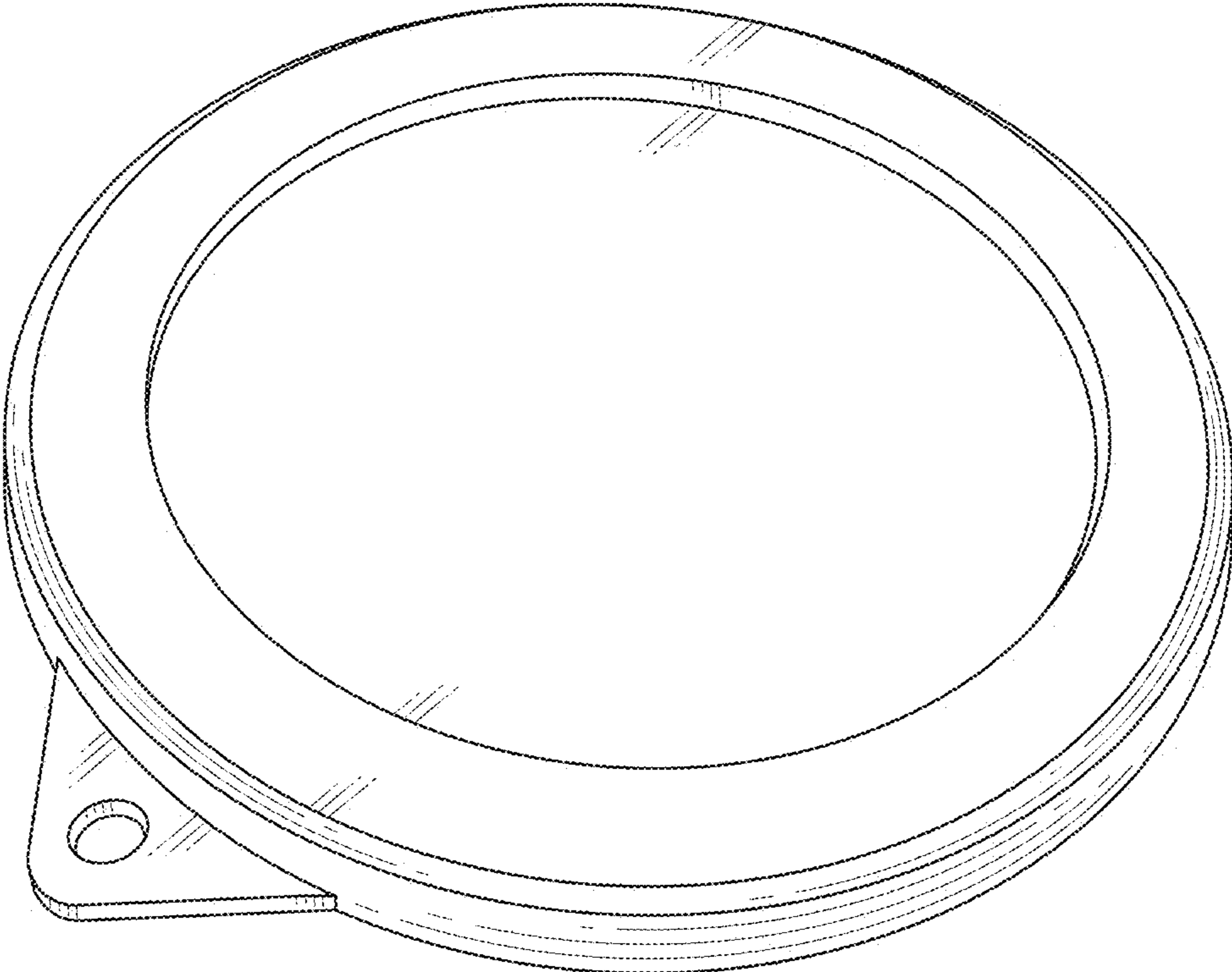


FIG.1

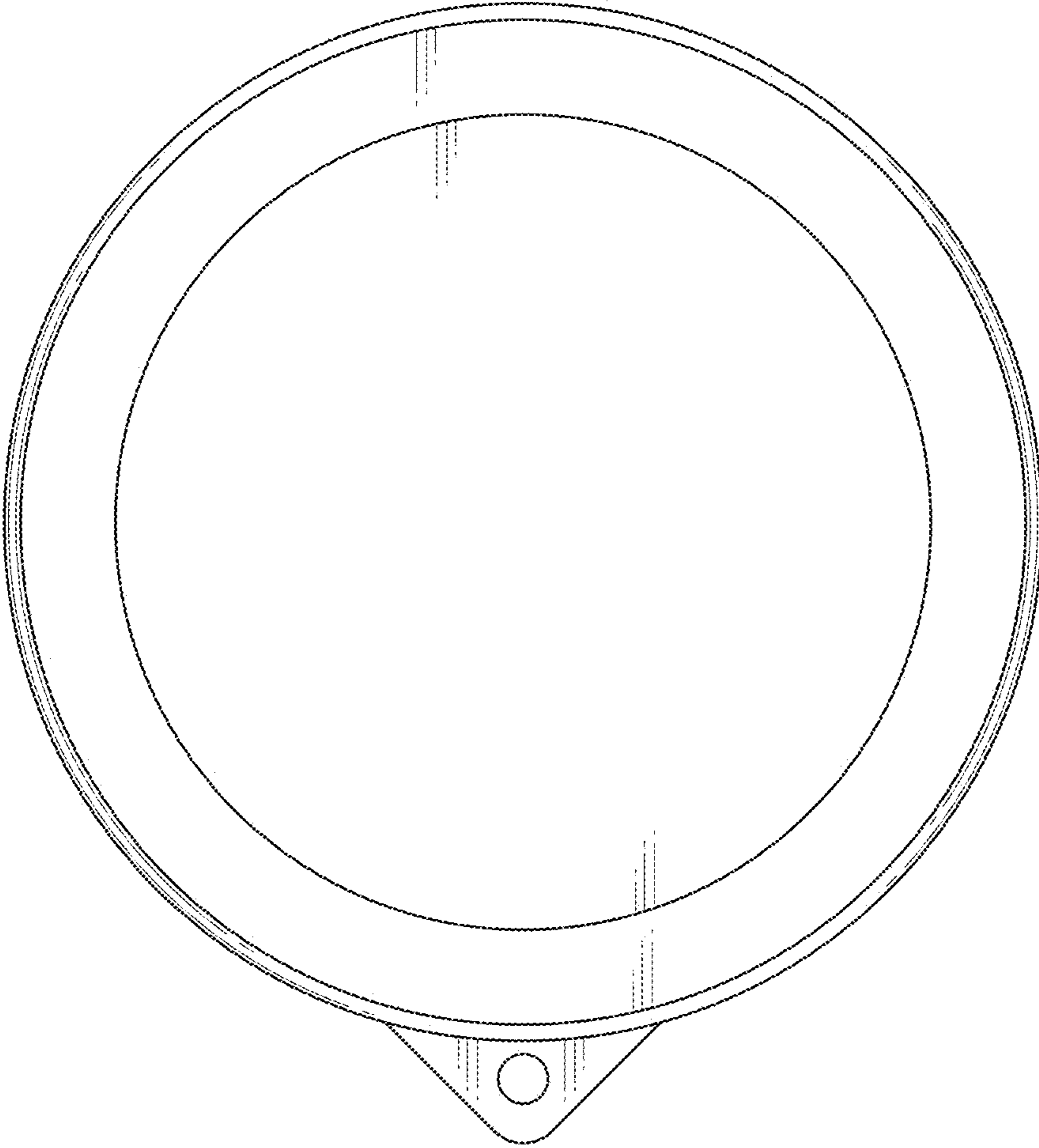


FIG.2

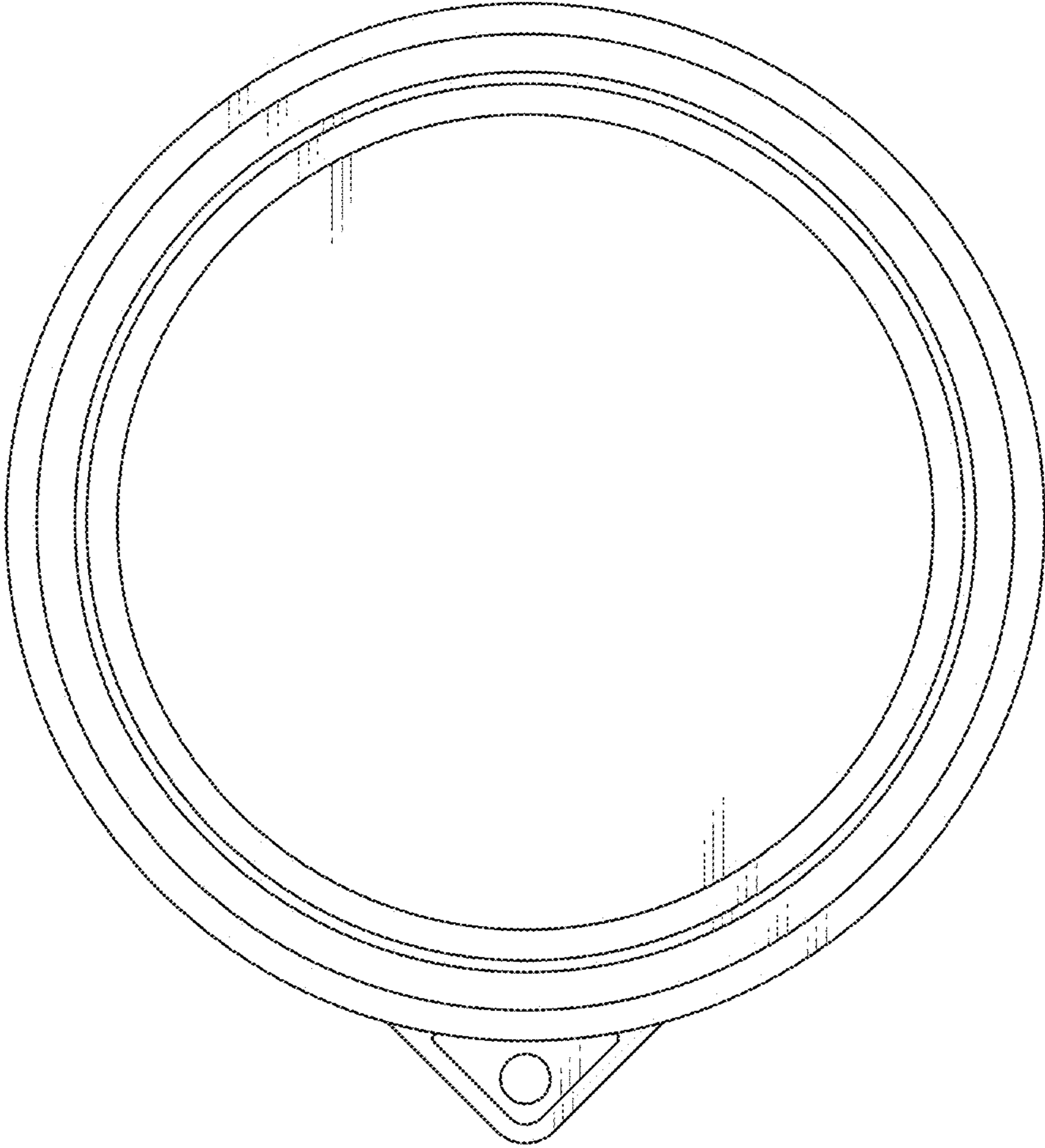


FIG.3



FIG.4



FIG.5



FIG.6



FIG.7

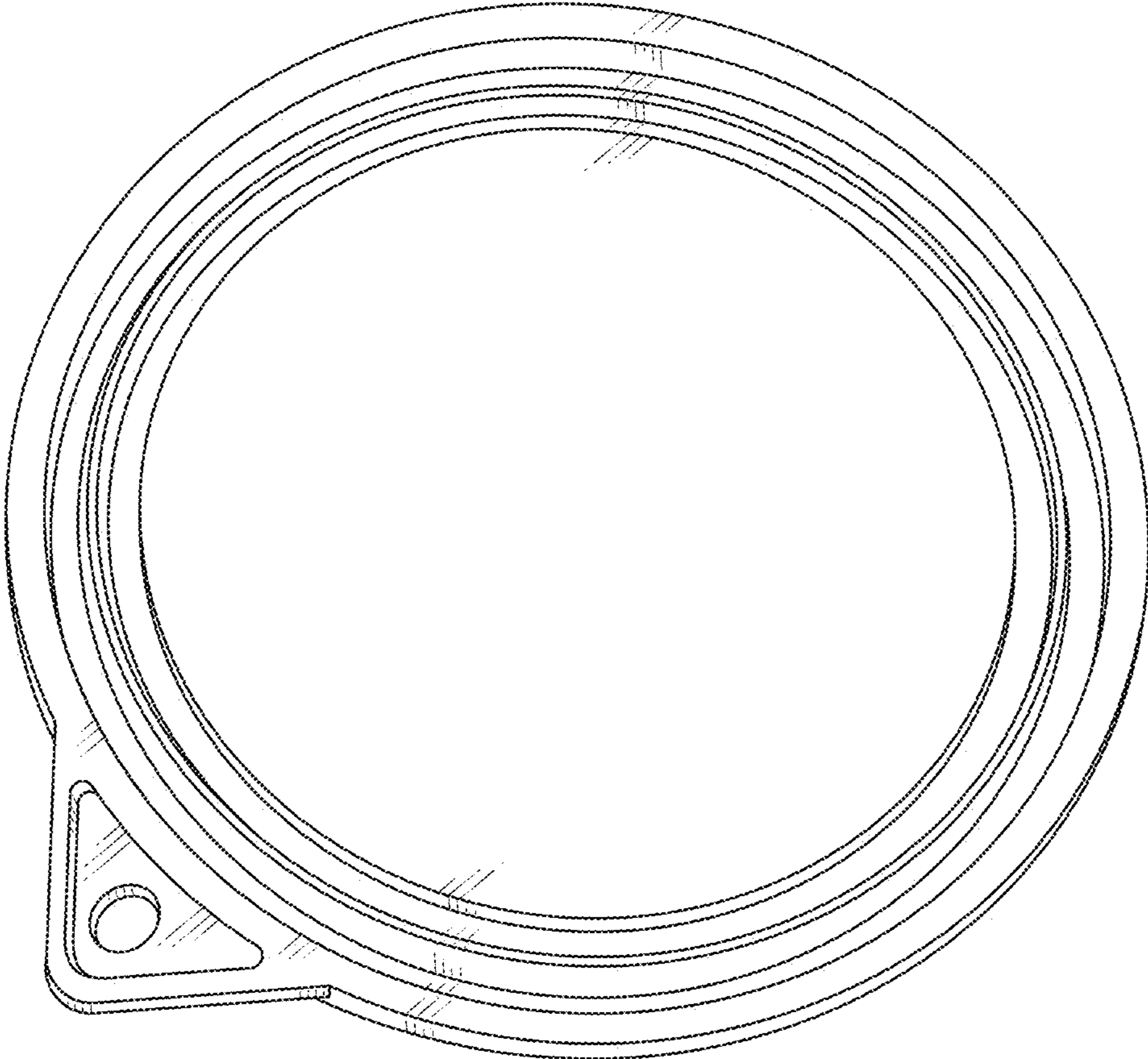


FIG.8