



US00D953097S

(12) **United States Design Patent**  
**Zhang**

(10) **Patent No.:** **US D953,097 S**

(45) **Date of Patent:** **\*\* May 31, 2022**

(54) **HAND MIXER**

(71) Applicant: **SHENZHEN SHENGMINGZHIGUANG INTELLIGENT TECHNOLOGY CO., LTD.**, Shenzhen (CN)

(72) Inventor: **Weiyang Zhang**, Shenzhen (CN)

(73) Assignee: **SHENZHEN SHENGMINGZHIGUANG INTELLIGENT TECHNOLOGY CO., LTD.**, Shenzhen (CN)

(\*\*) Term: **15 Years**

(21) Appl. No.: **29/800,371**

(22) Filed: **Jul. 21, 2021**

(51) **LOC (13) Cl.** ..... **31-00**

(52) **U.S. Cl.**  
USPC ..... **D7/379; D7/376**

(58) **Field of Classification Search**  
USPC ..... D7/372, 376-386, 412-413, 602, 629, D7/665-666, 669, 679, 693-694  
CPC .... A21C 1/02; A21C 1/04; A23N 1/00; A23N 1/02; A47J 43/04; A47J 43/25; A47J 43/27; A47J 43/042; A47J 43/044; A47J 43/046; A47J 43/075; A47J 43/0722; A47J 43/0727; A47J 43/082; B01F 3/00; B01F 3/0807; B01F 3/0853; B01F 13/0059; B01F 13/0064; B02C 1/08; B02C 2/04; B02C 4/42; B02C 4/142; B02C 4/143; B02C 4/423; B02C 13/1835; B28C 5/10; B28C 5/12; B28C 5/14; B28C 5/16; H02P 25/145  
See application file for complete search history.

(56) **References Cited**

**U.S. PATENT DOCUMENTS**

2,552,972 A \* 5/1951 Jepson ..... A47J 43/044  
248/185.1  
4,568,193 A \* 2/1986 Contri ..... H02P 25/145  
388/906

D588,865 S \* 3/2009 Ferraby ..... D7/380  
D628,012 S \* 11/2010 Bodum ..... D7/379  
D756,165 S \* 5/2016 Lee ..... D7/379  
D807,109 S \* 1/2018 Ho ..... D7/379  
D818,762 S 5/2018 Carlson  
D830,764 S 10/2018 Vu et al.  
D892,539 S \* 8/2020 McConnell ..... D7/379

(Continued)

**OTHER PUBLICATIONS**

PINGXIXI Hand Mixer Electric. Date First Available on Amazon.com Dec. 18, 2021. <https://www.amazon.com/dp/B09NRH2Q2H/ref> (Year: 2021).\*

(Continued)

*Primary Examiner* — Ricky Pham

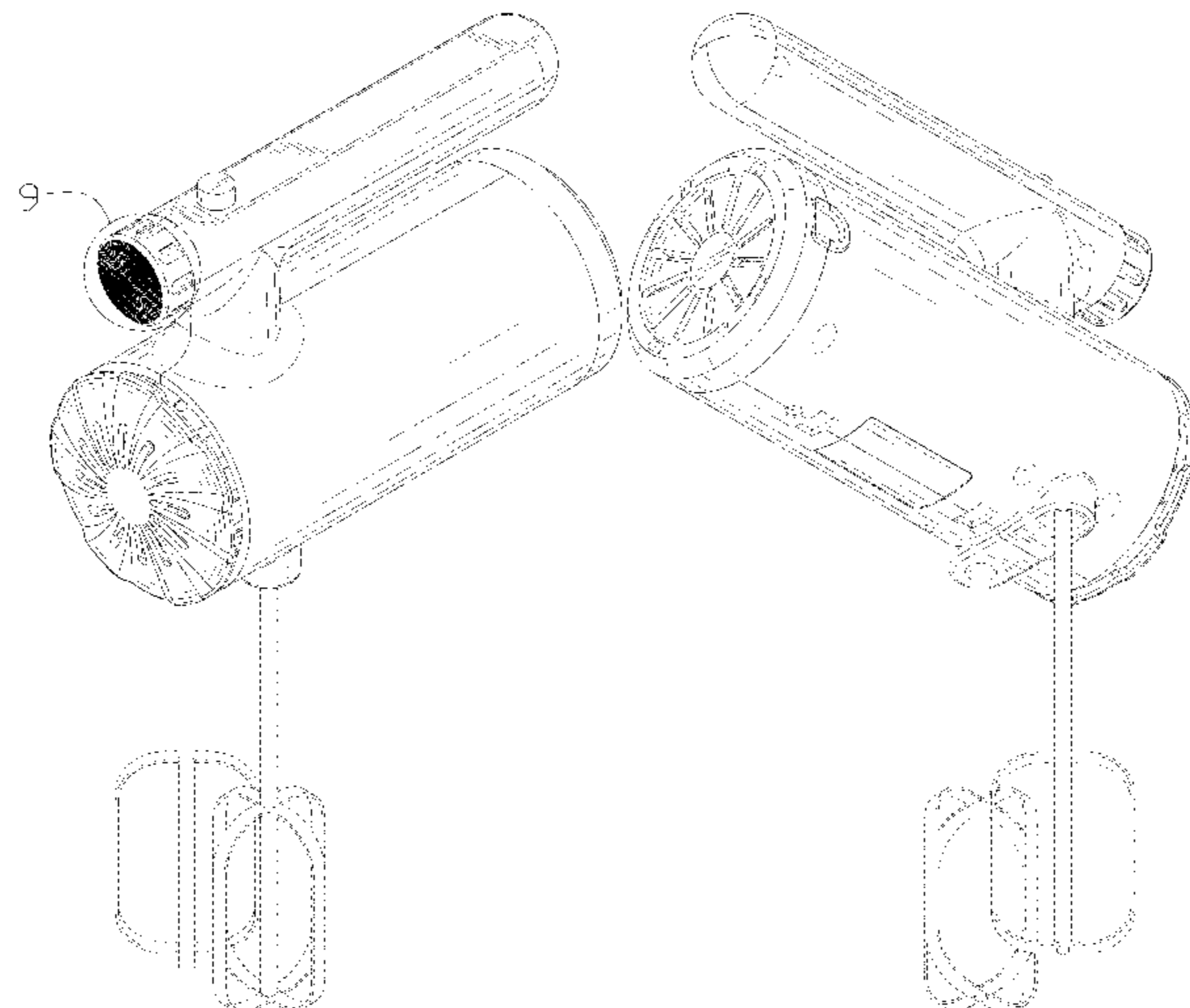
(57) **CLAIM**

The ornamental design for a hand mixer, as shown and described.

**DESCRIPTION**

FIG. 1 is a perspective view of a hand mixer showing my new design;  
FIG. 2 is another perspective view thereof;  
FIG. 3 is a front elevational view thereof;  
FIG. 4 is a rear elevational view thereof;  
FIG. 5 is a left side elevational view thereof;  
FIG. 6 is a right side elevational view thereof;  
FIG. 7 is a top plan view thereof;  
FIG. 8 is a bottom plan view thereof; and,  
FIG. 9 is an enlarged view of portion 9 shown in FIG. 1. The dash-dash broken lines in the drawings depict portions of the hand mixer that form no part of the claimed design. The dot-dash broken lines represent boundaries of the enlarged portion and form no part of the claimed design.

**1 Claim, 9 Drawing Sheets**



(56)

**References Cited**

U.S. PATENT DOCUMENTS

D911,096 S \* 2/2021 McConnell ..... D7/379  
D911,767 S \* 3/2021 Koszylko ..... D7/380  
D930,426 S \* 9/2021 Bourgeois ..... D7/379  
D938,221 S \* 12/2021 Ge ..... D7/379  
D938,222 S \* 12/2021 McConnell ..... D7/379  
2005/0007867 A1\* 1/2005 Wanat ..... A47J 43/082  
366/129

OTHER PUBLICATIONS

Elegear Lightweight Electric Hand Mixer. Date First Available on Amazon.com Dec. 23, 2020. <https://www.amazon.com/dp/B08R6YKLRG/ref> (Year: 2020).\*

\* cited by examiner

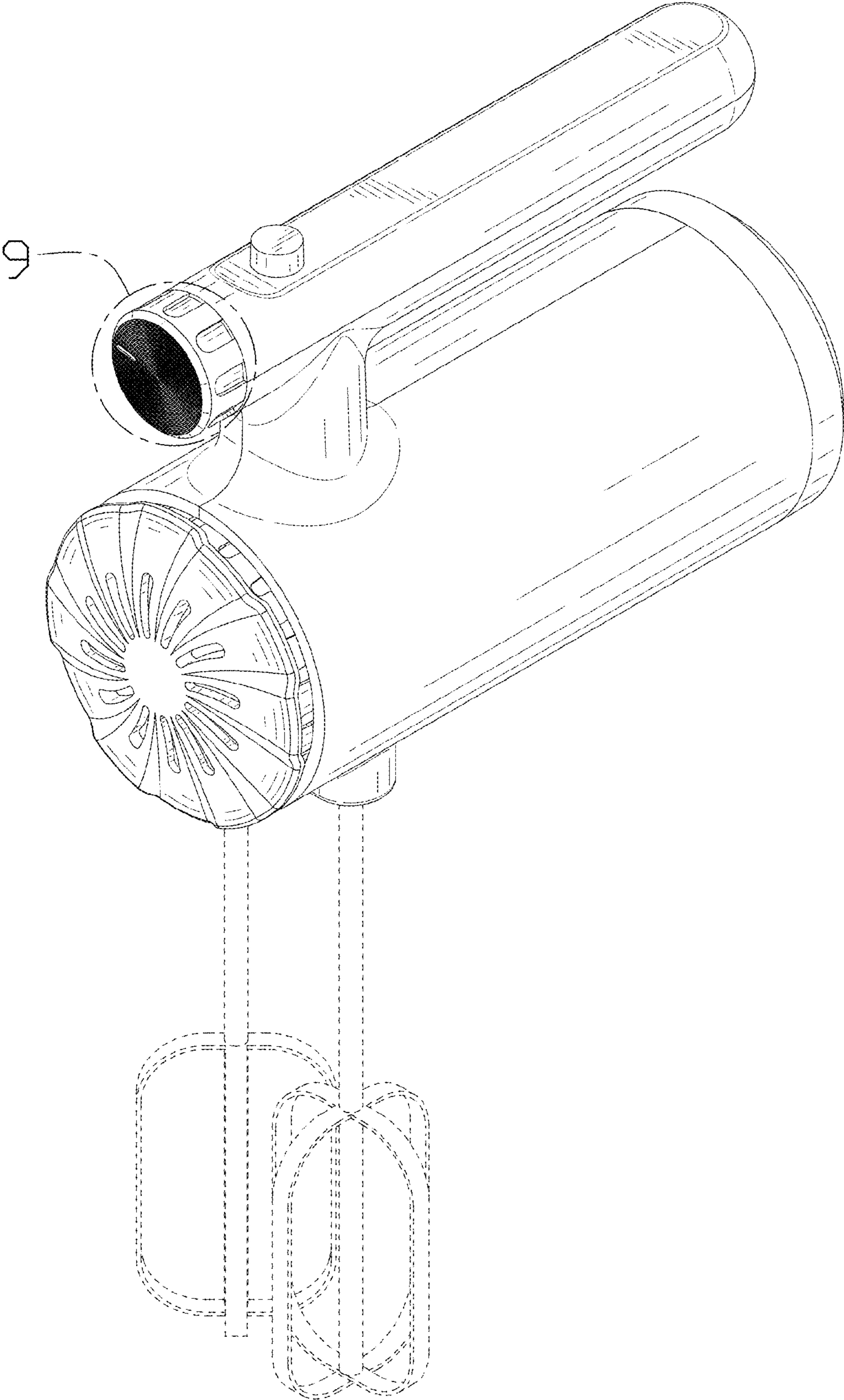


FIG. 1

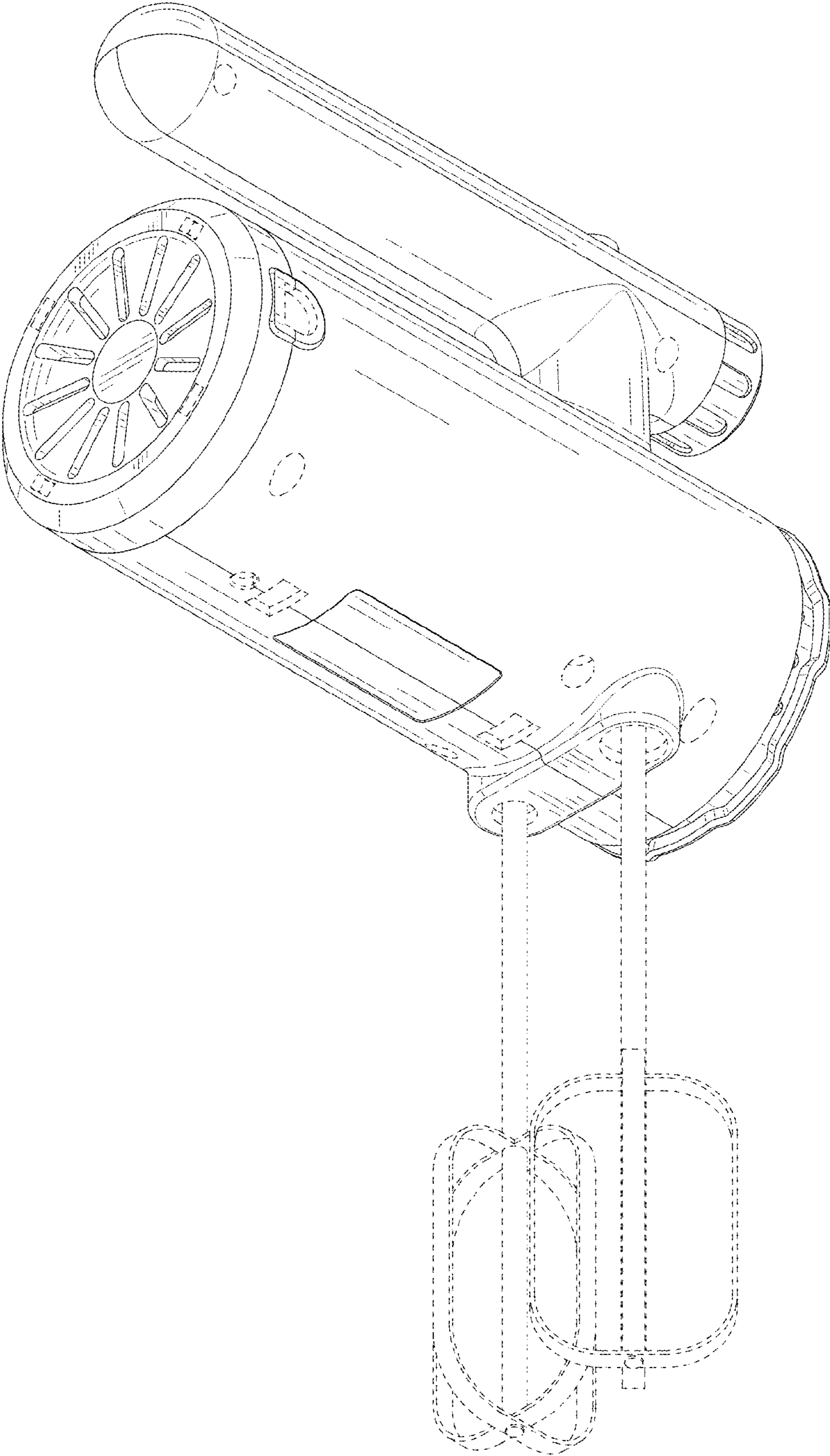


FIG. 2

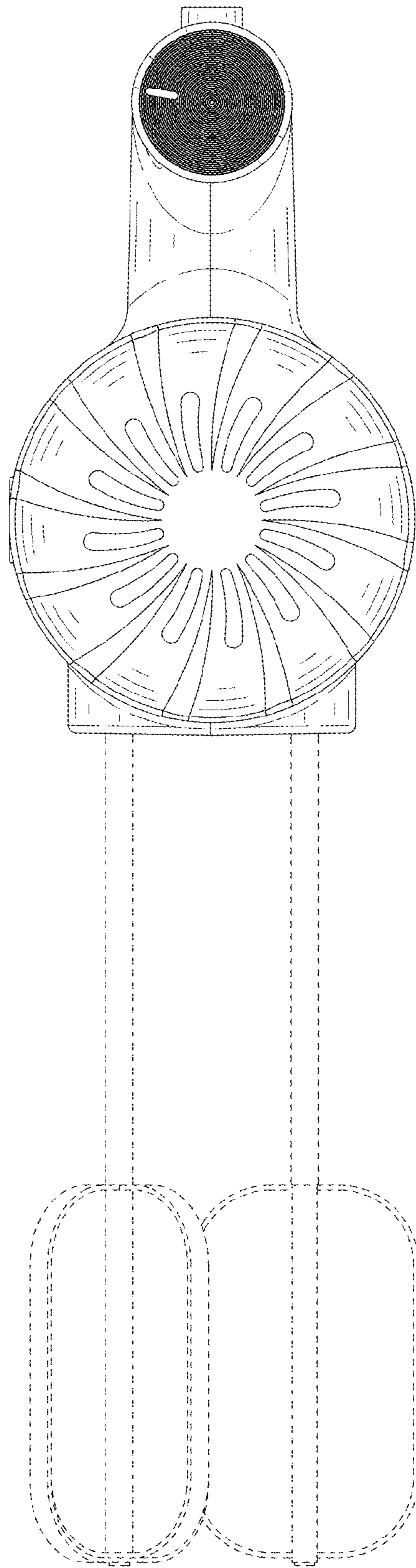


FIG. 3

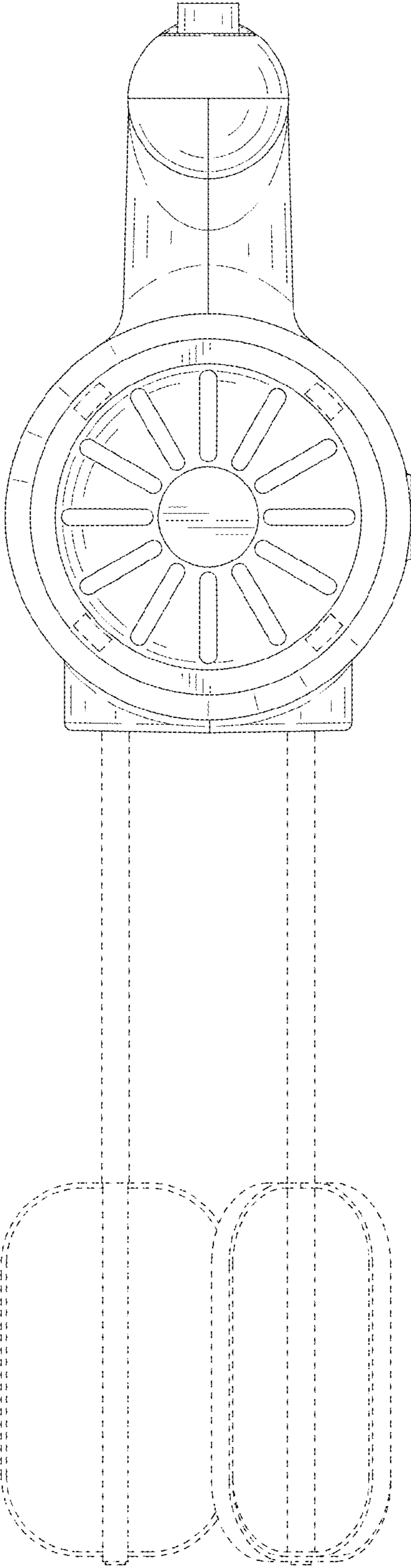


FIG. 4

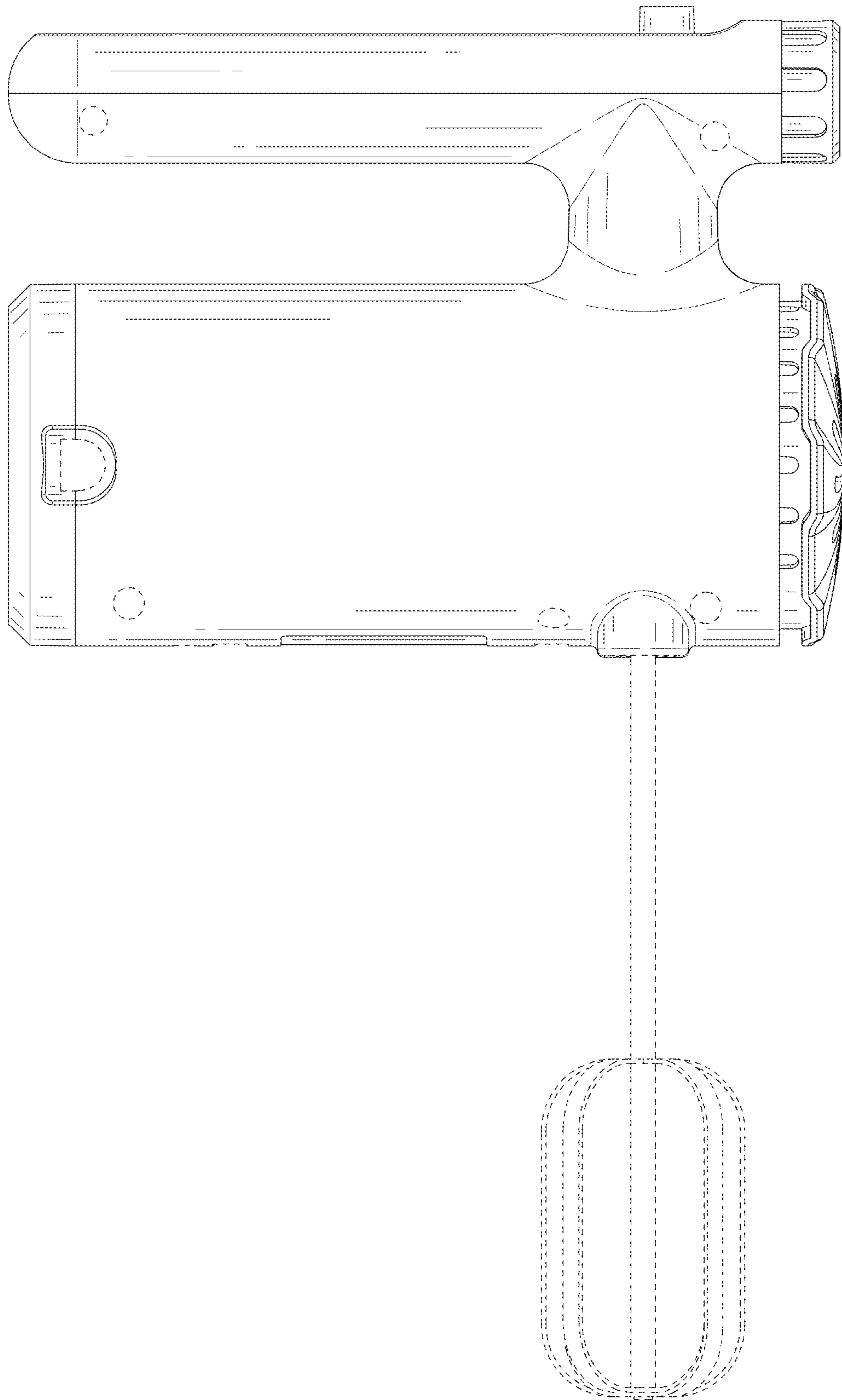


FIG. 5

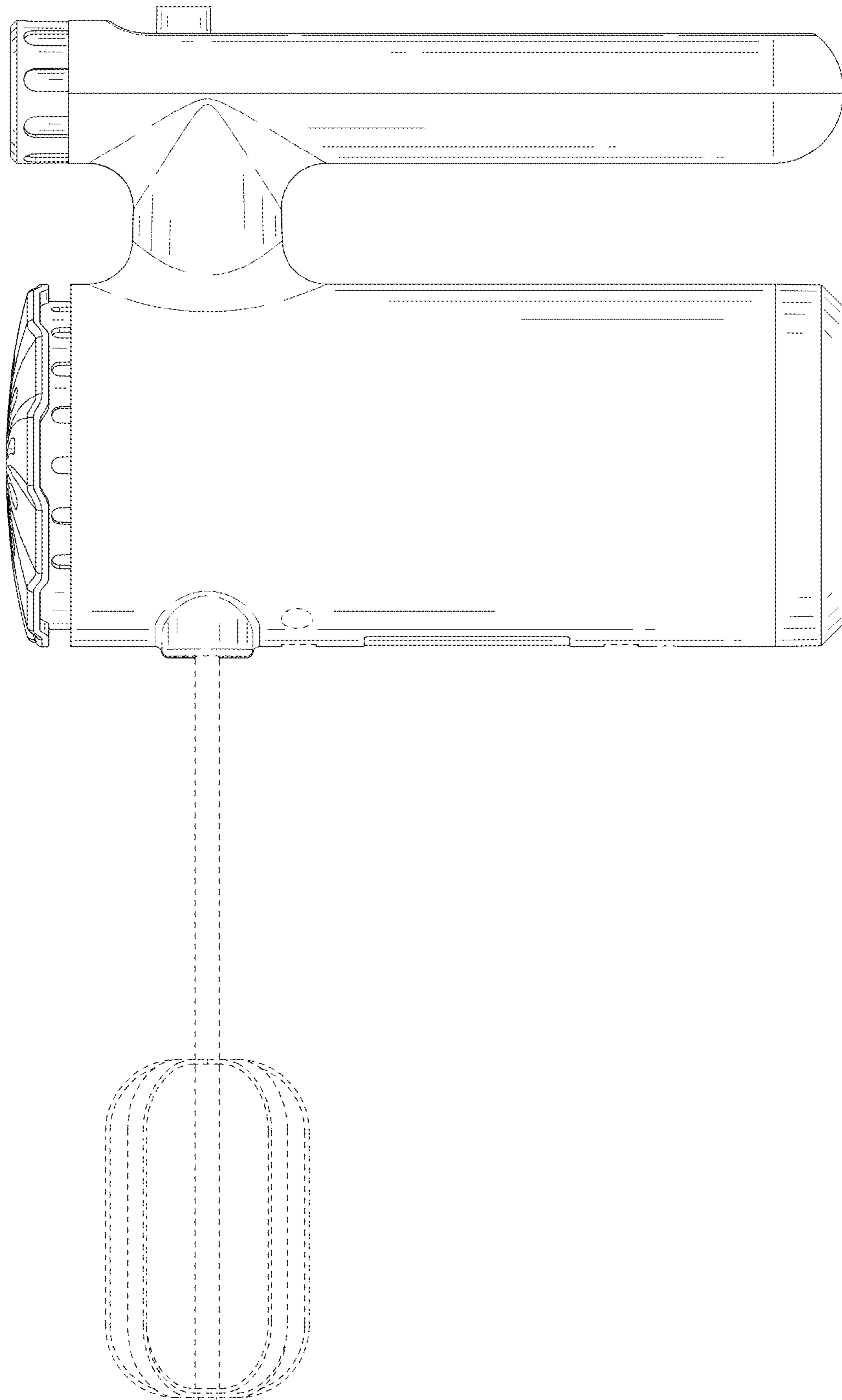


FIG. 6



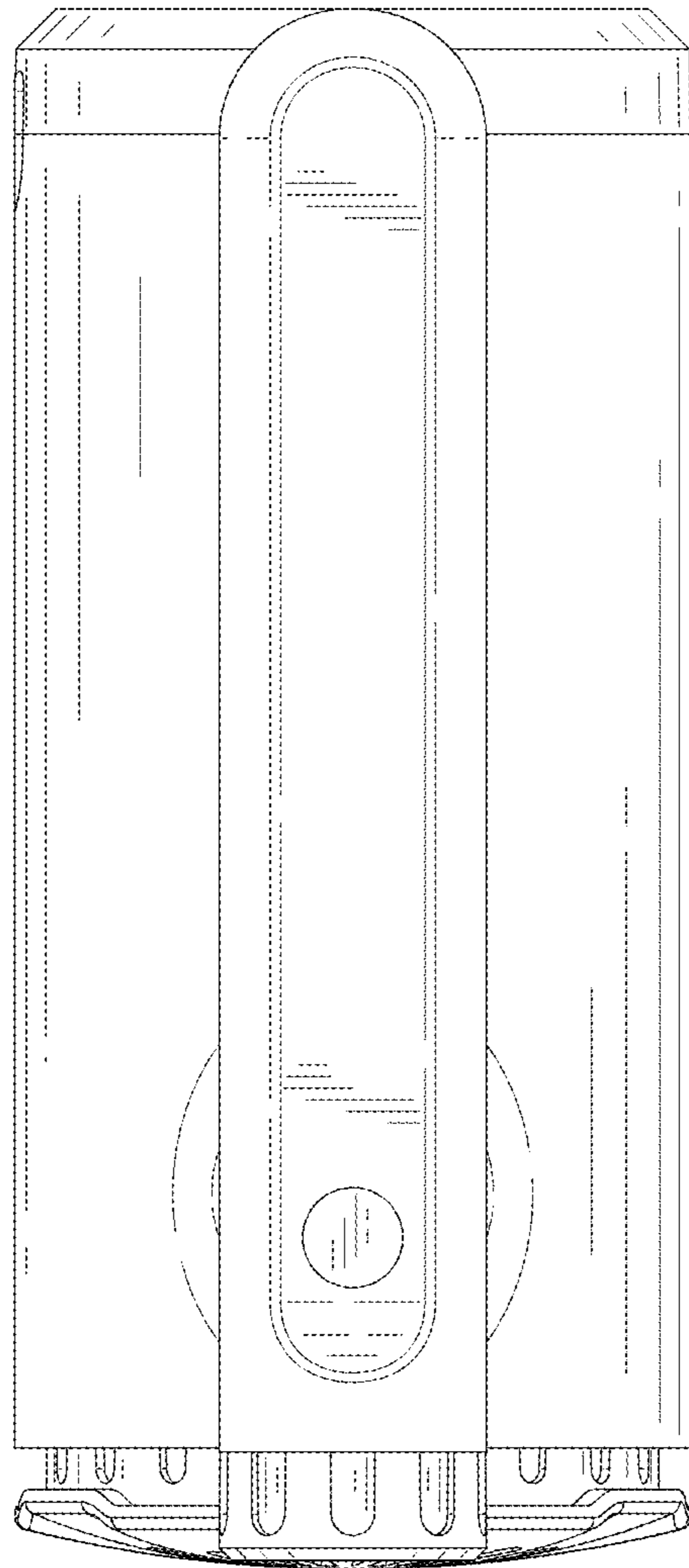


FIG. 7

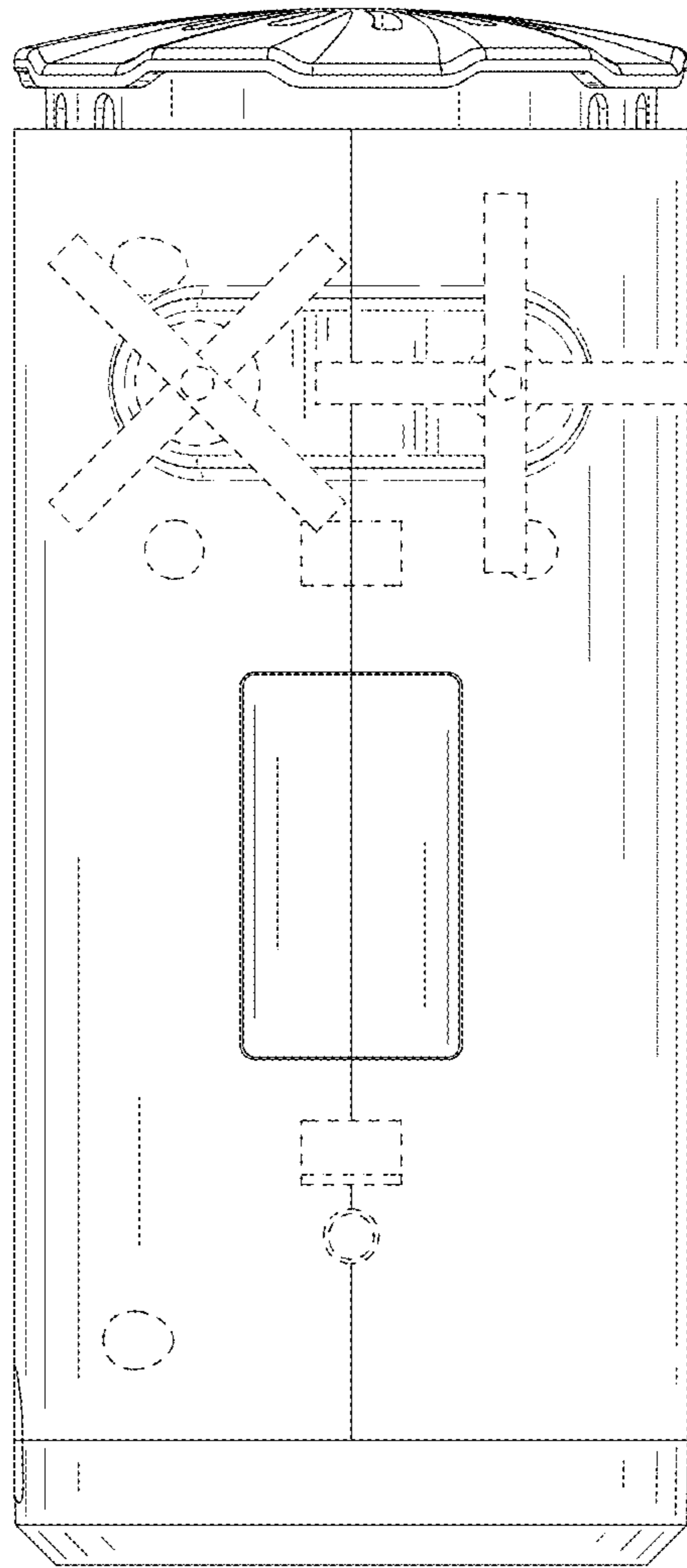


FIG. 8

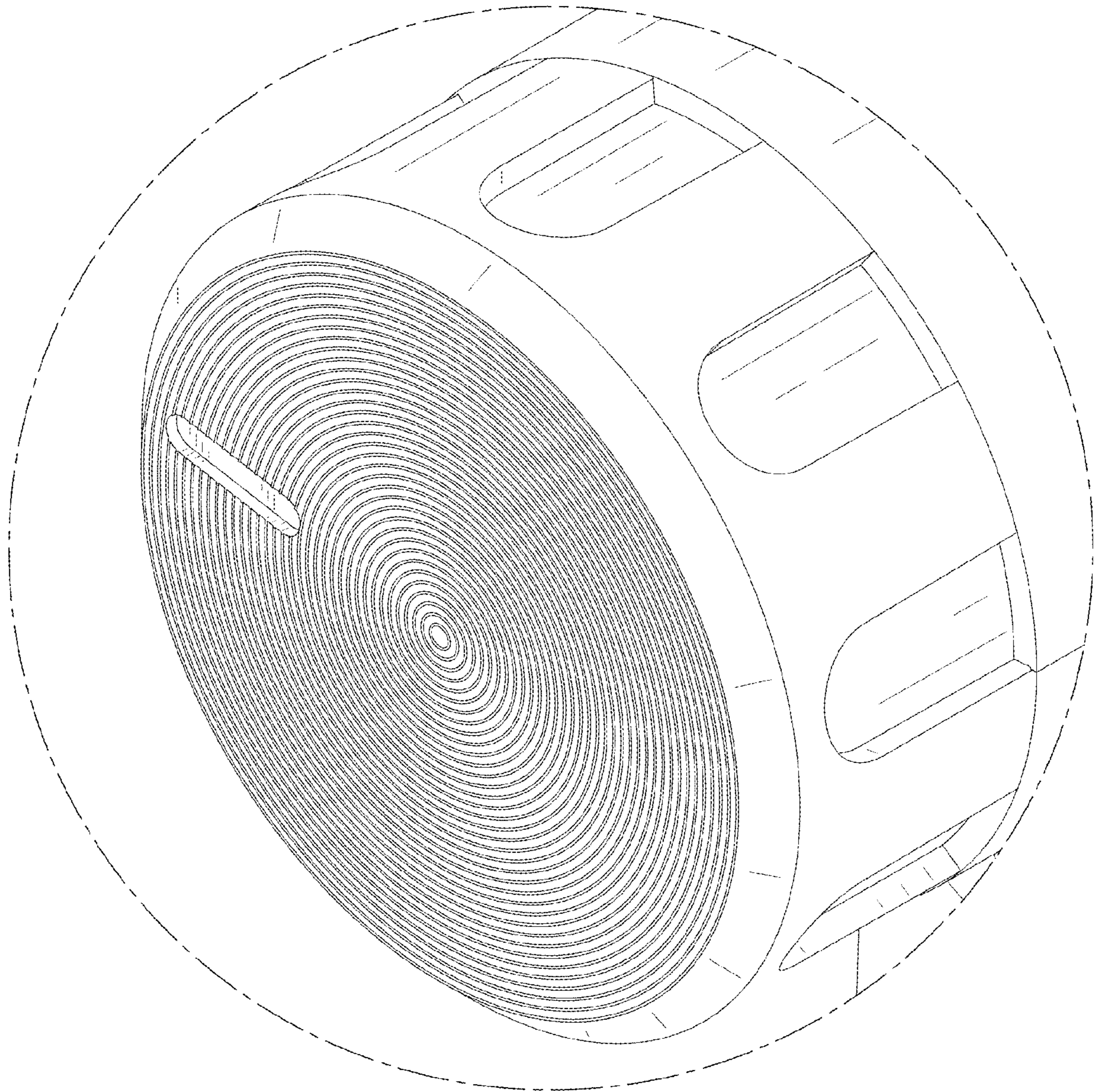


FIG. 9