



US00D953095S

(12) **United States Design Patent** (10) **Patent No.:** **US D953,095 S**
Suzuki et al. (45) **Date of Patent:** **** May 31, 2022**

- (54) **RICE SHEET MACHINE**
- (71) Applicant: **Suzumo Machinery Co., Ltd.**, Tokyo (JP)
- (72) Inventors: **Minako Suzuki**, Tokyo (JP); **Daisuke Takeda**, Tokyo (JP)
- (73) Assignee: **Suzumo Machinery Co., Ltd.**, Tokyo (JP)
- (**) Term: **15 Years**
- (21) Appl. No.: **29/763,555**
- (22) Filed: **Dec. 23, 2020**
- (30) **Foreign Application Priority Data**
Nov. 11, 2020 (JP) 2020-024349 D
- (51) **LOC (13) Cl.** **07-04**
- (52) **U.S. Cl.**
USPC **D7/368**
- (58) **Field of Classification Search**
USPC ... D7/323, 328-329, 348, 350.1-350.4, 351, D7/354, 368, 402, 412, 665, 669, 672; D24/216, 220
CPC A21C 3/028; A23P 30/00; A23P 30/10; A47J 43/20; A47J 44/00
See application file for complete search history.

- (56) **References Cited**
U.S. PATENT DOCUMENTS
4,637,304 A * 1/1987 Suzuki A23P 30/10 425/383
D745,309 S * 12/2015 Gagnon D7/325
D802,983 S * 11/2017 Gilpatric A47J 43/20 D7/328
D808,210 S * 1/2018 Jetton D7/368
D836,964 S * 1/2019 Wenzel D7/328
D917,063 S * 4/2021 Ong F26B 3/283 D24/216

- D933,848 S * 10/2021 Shapiro A23P 10/10 D24/220
- 2004/0025713 A1* 2/2004 Leak A23P 20/20 99/450.6
- 2008/0206389 A1* 8/2008 Hosogane A21C 3/028 425/322

(Continued)

OTHER PUBLICATIONS

Maki Maker 865, Sushi Machines, [online], [site visited Jan. 5, 2022], Available from internet URL: <https://www.sushimachines.com/asm865a/> (Year: 2022).*

(Continued)

Primary Examiner — Mary Ann Calabrese
Assistant Examiner — Natalya M Rapundalo
(74) *Attorney, Agent, or Firm* — Michael Best & Friedrich LLP

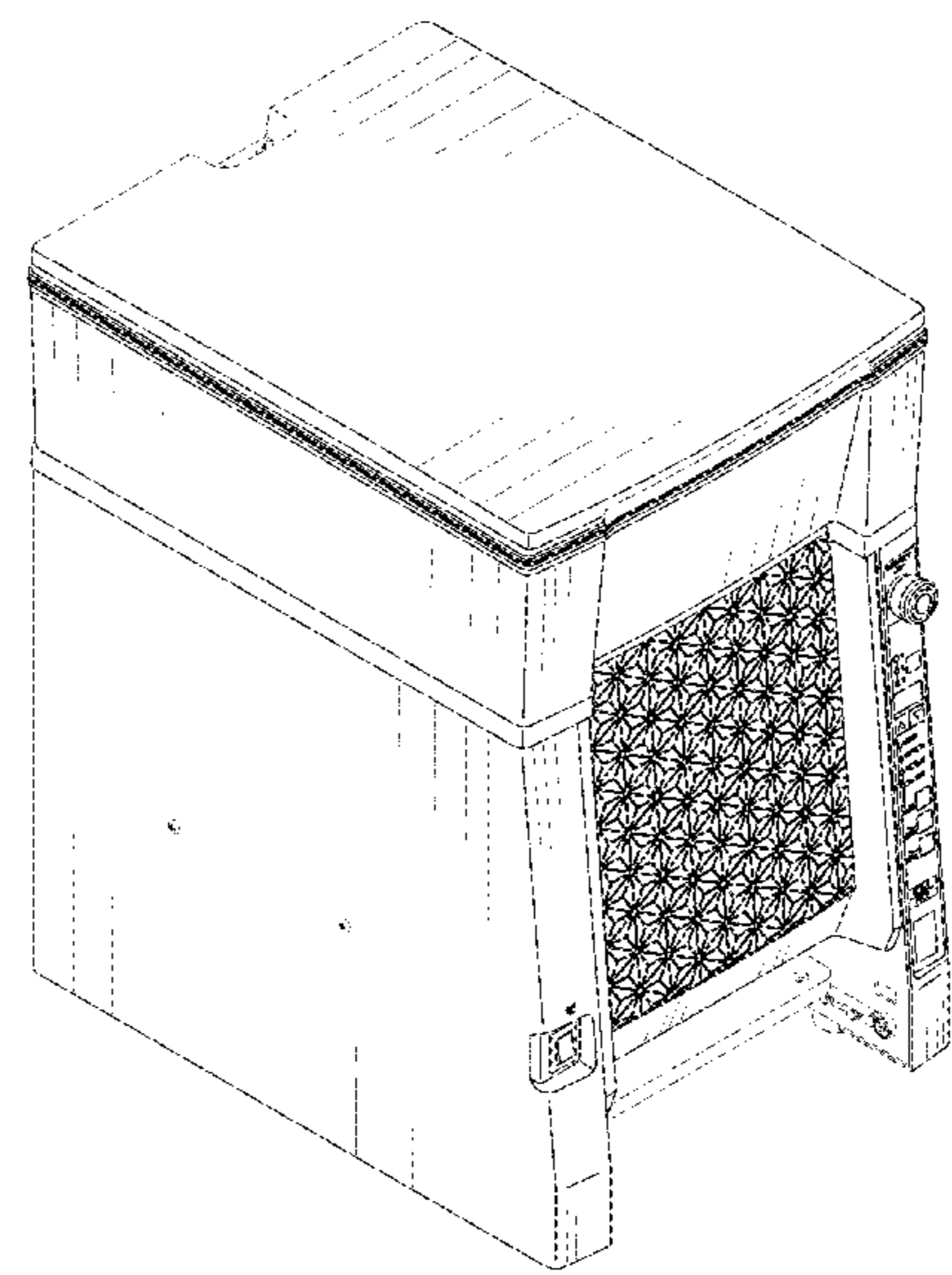
(57) **CLAIM**

The ornamental design for a rice sheet machine, as shown and described.

DESCRIPTION

FIG. 1 is a perspective view of a rice sheet machine showing our new design;
FIG. 2 is a front elevational view thereof;
FIG. 3 is a rear elevational view thereof;
FIG. 4 is a right side elevational view thereof;
FIG. 5 is a left side elevational view thereof;
FIG. 6 is a top plan view thereof; and
FIG. 7 is a bottom plan view thereof; and,
FIG. 8 is a partially enlarged front elevational view thereof at the area 8 of FIG. 2.
The broken lines illustrate portions of the rice sheet machine and form no part of the claimed design. The single dot-dash broken lines define the boundaries of the claimed design and form no part of the claimed design.

1 Claim, 8 Drawing Sheets



(56)

References Cited

U.S. PATENT DOCUMENTS

2009/0161357 A1* 6/2009 Carlson F26B 3/283
362/234
2010/0221401 A1* 9/2010 Uchida A23P 10/10
426/512
2021/0401028 A1* 12/2021 Kiyokawa A47J 43/20

OTHER PUBLICATIONS

Sushi Roll Makers, Suzumo, [online], [site visited Jan. 5, 2022],
Available from internet URL: www.suzumokikou.com/product_type/sushi-roll-maker/ (Year: 2022).*

* cited by examiner

FIG. 1

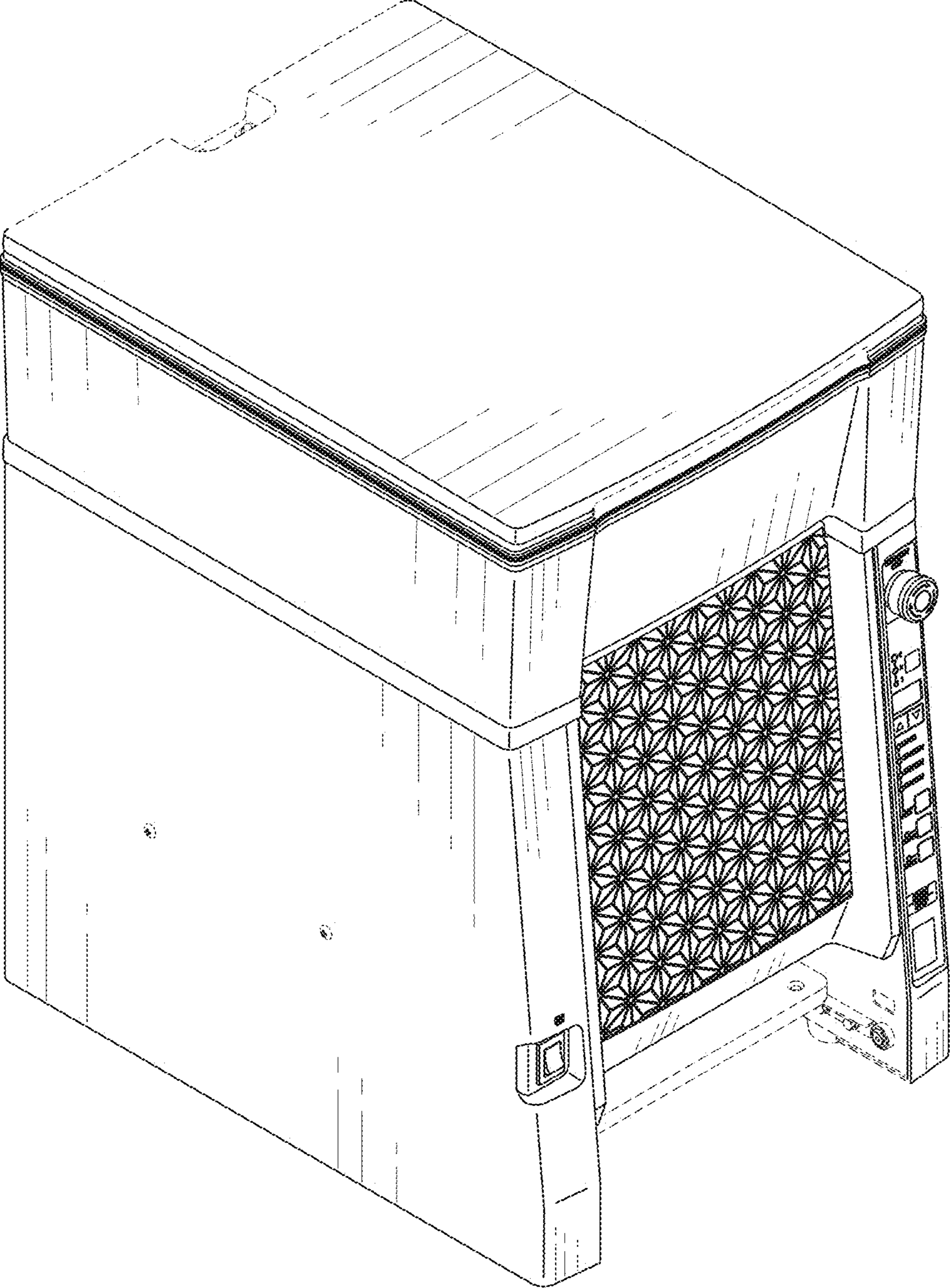


FIG.2

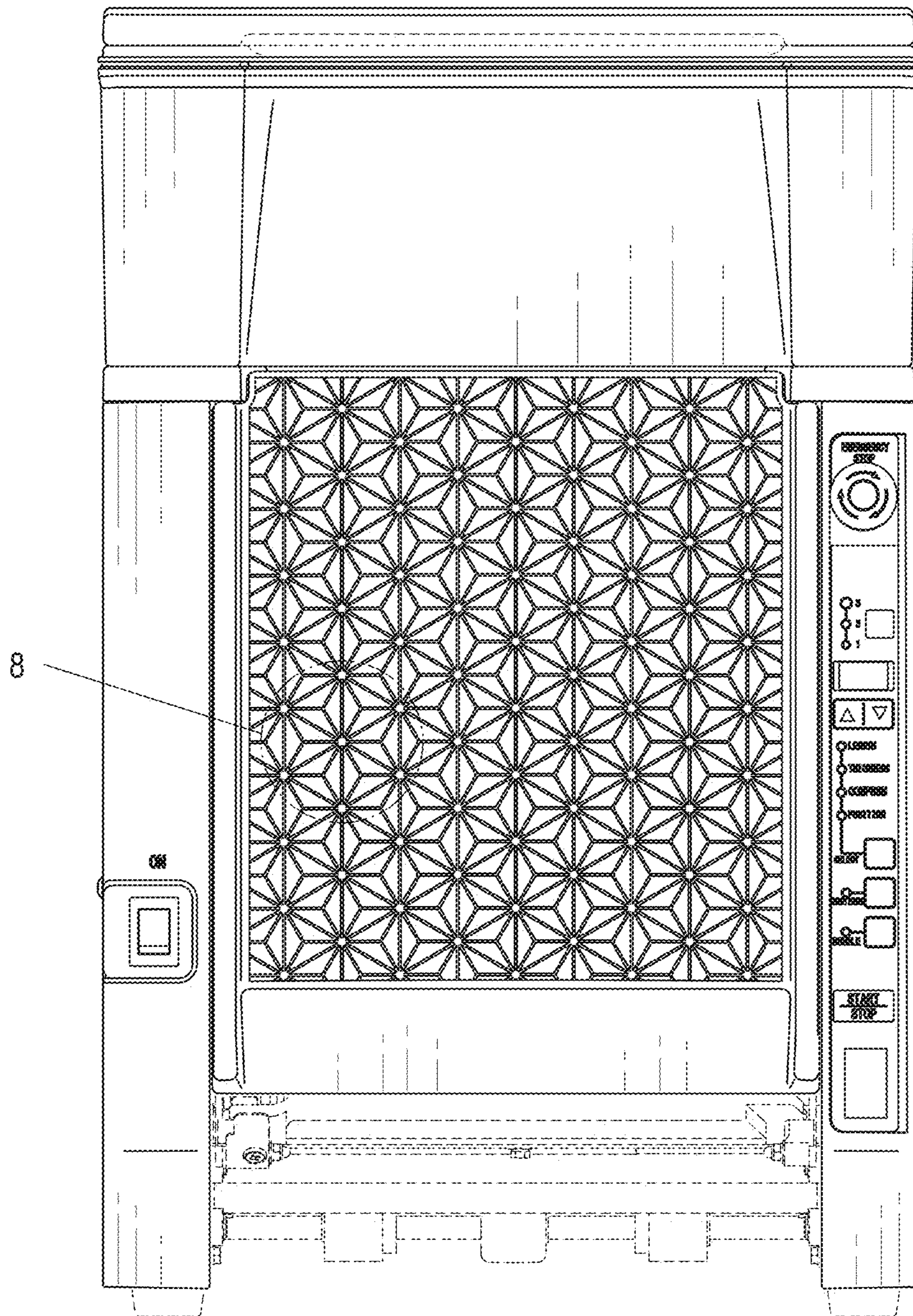


FIG.3

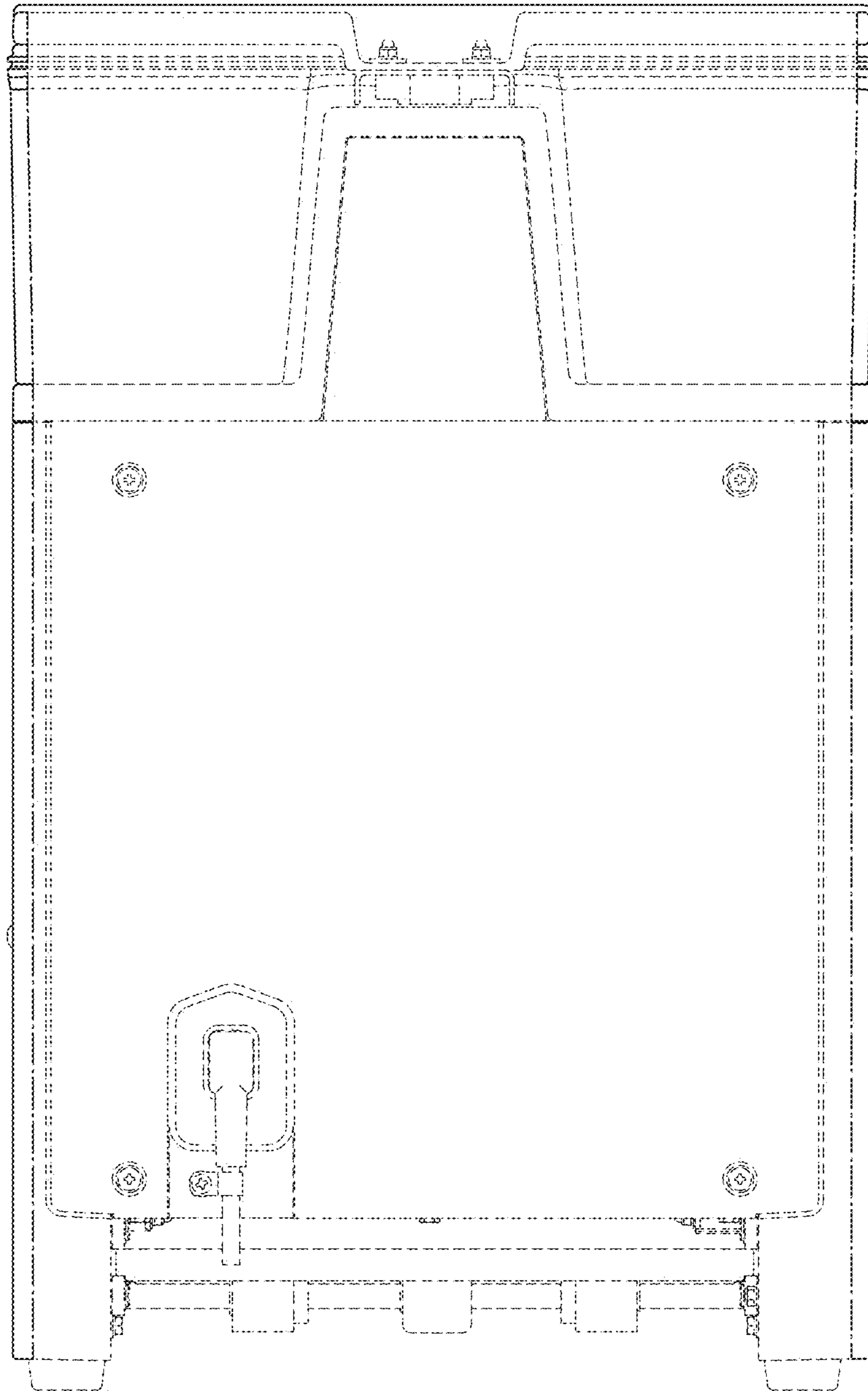


FIG.4

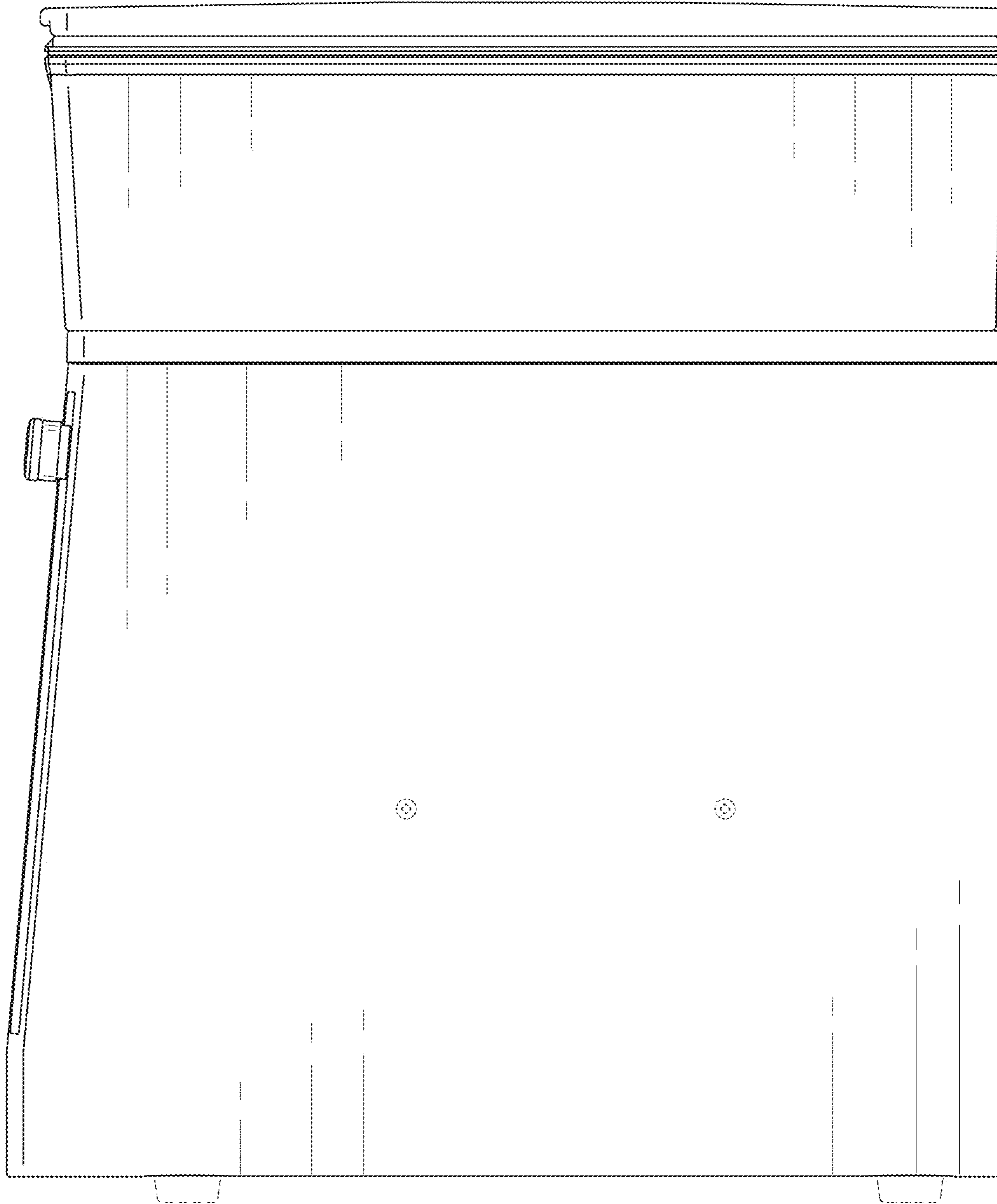


FIG.5

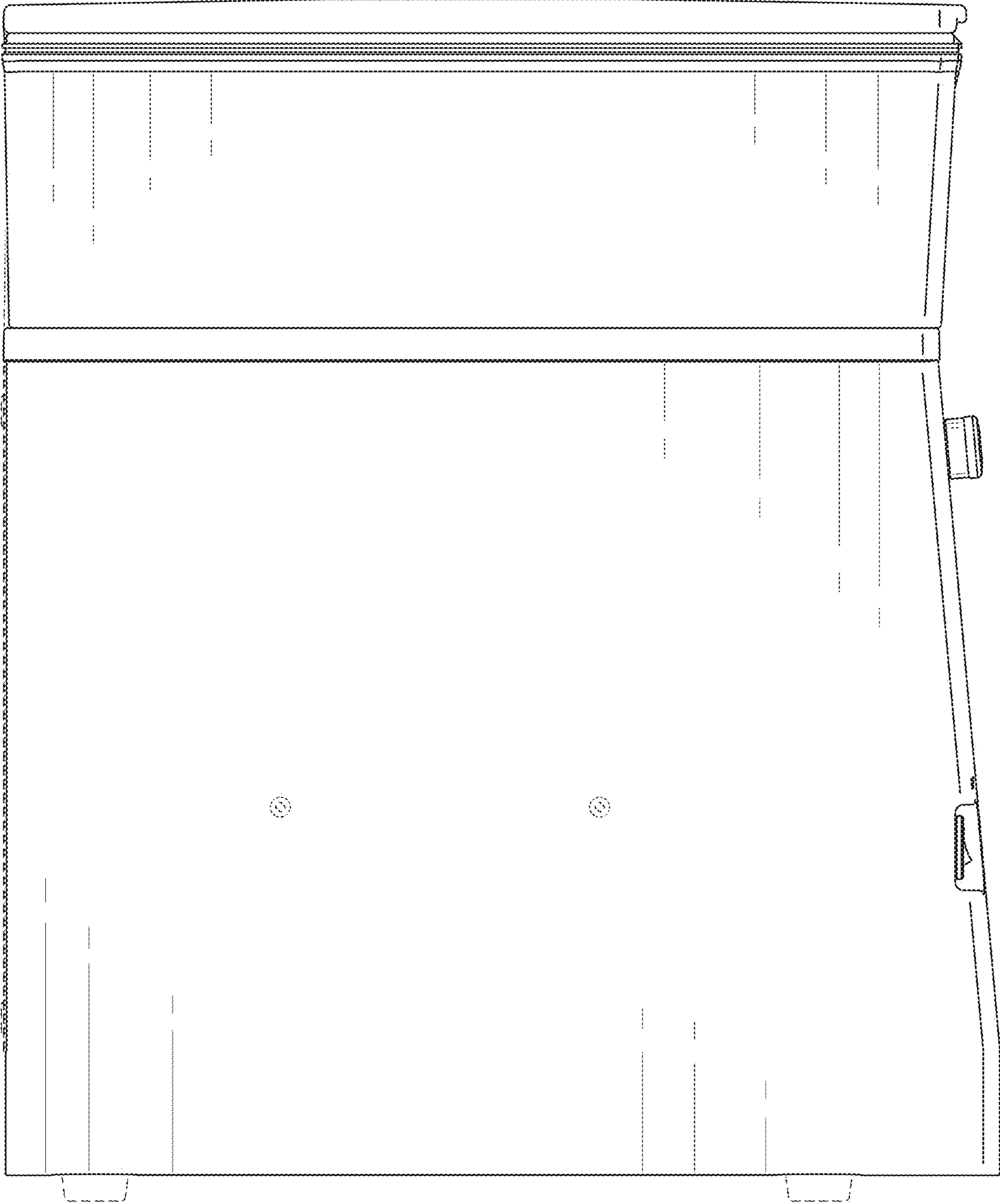


FIG.6

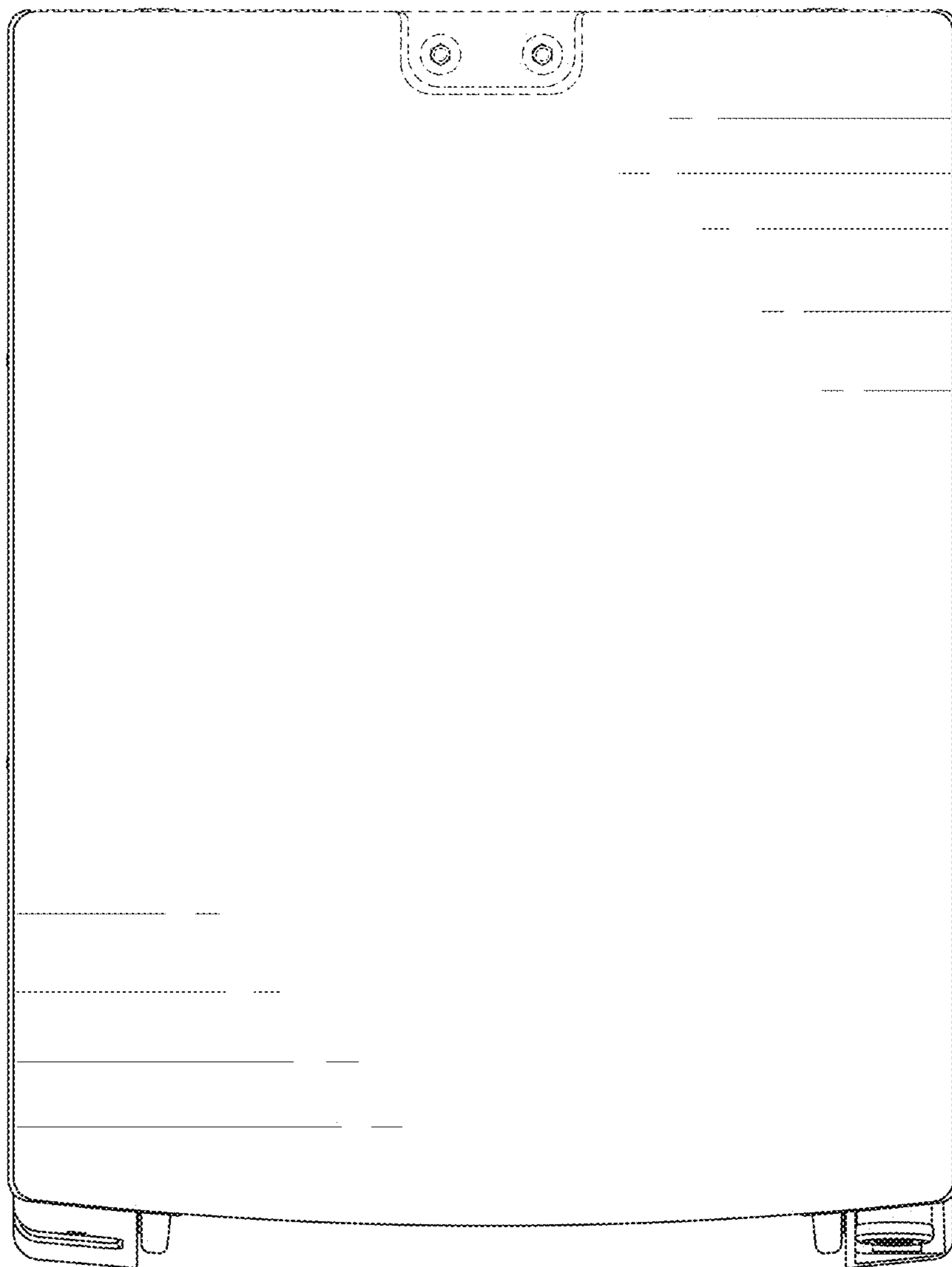


FIG.7

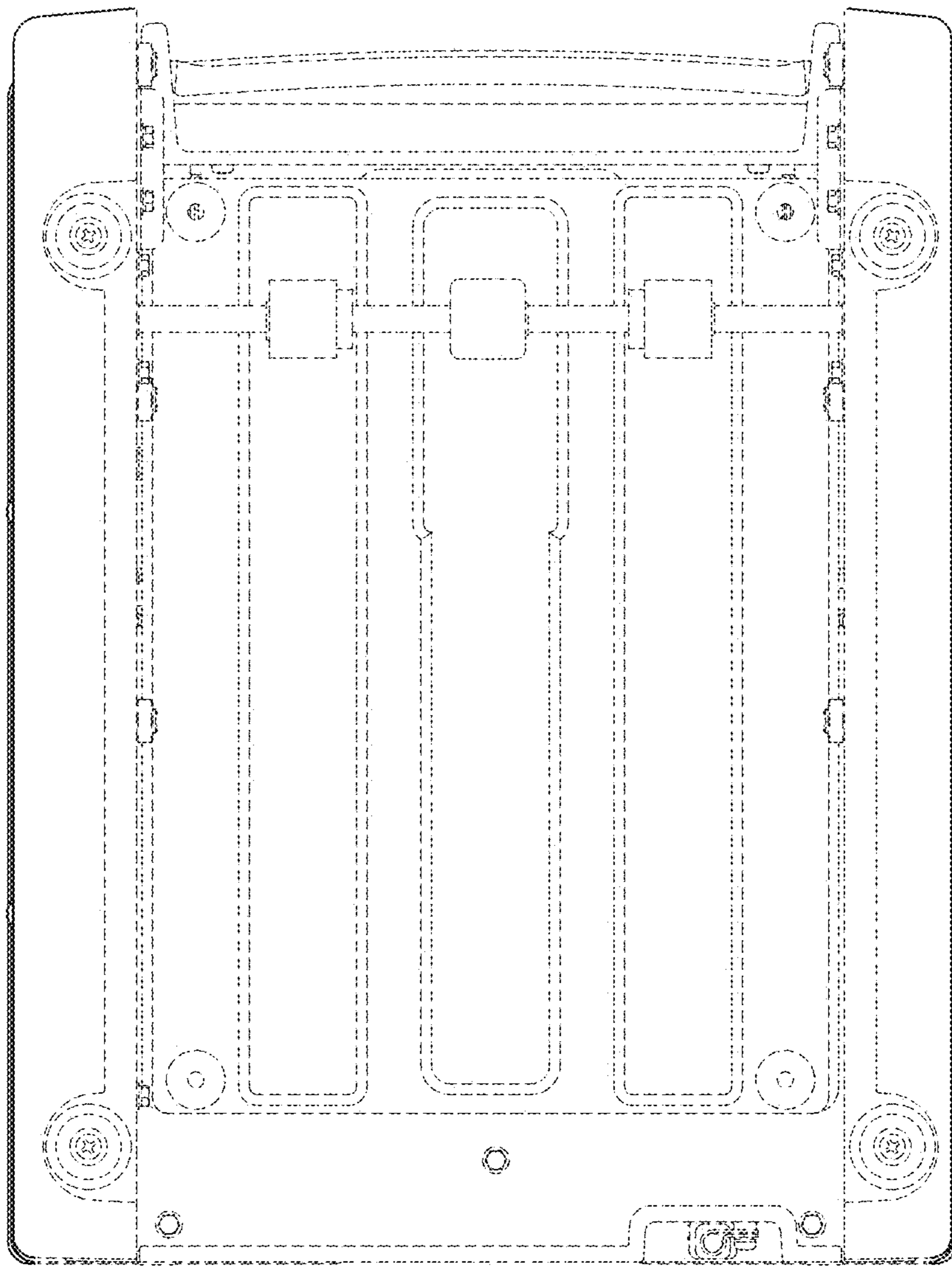


FIG.8

