



US00D953092S

(12) **United States Design Patent** (10) **Patent No.:** **US D953,092 S**
Choi et al. (45) **Date of Patent:** **** May 31, 2022**

(54) **OVEN**

FOREIGN PATENT DOCUMENTS

(71) Applicant: **Samsung Electronics Co., Ltd.**,
Suwon-si (KR)

CA 139392 * 9/2011
KR 30-2005-0011028 1/2006

(Continued)

(72) Inventors: **Hwanwoong Choi**, Suwon-si (KR);
Sunmin Lee, Suwon-si (KR); **Jaemin Lee**, Suwon-si (KR)

OTHER PUBLICATIONS

(73) Assignee: **Samsung Electronics Co., Ltd.**,
Suwon-si (KR)

GE Electric Smoothtop Range Oven, posted at Amazon.com on Aug. 12, 2016, [site visited Jan. 24, 2022], Available from internet, URL: <<https://www.amazon.com/GE-JB645EKES-Slate-Electric-Smoothtop/dp/B01KAOWWHO/>> (Year: 2016).*

(Continued)

(**) Term: **15 Years**

(21) Appl. No.: **29/760,576**

Primary Examiner — Andrew Kerr

Assistant Examiner — Chariton Alexakis

(22) Filed: **Dec. 2, 2020**

(74) *Attorney, Agent, or Firm* — NSIP Law

(30) **Foreign Application Priority Data**

(57) **CLAIM**

Aug. 26, 2020 (KR) 30-2020-0040007

We claim the ornamental design for an oven, as shown and described.

(51) **LOC (13) Cl.** **07-02**

DESCRIPTION

(52) **U.S. Cl.**

USPC **D7/348**

(58) **Field of Classification Search**

USPC D7/323, 329, 339, 340, 341, 346, 347,
D7/348, 350.1, 362, 365, 402, 405, 406,
D7/407, 408; D21/523–525; D23/397,
D23/402, 415

CPC A21B 2/00; A47J 37/00; A47J 37/0807;
F24C 1/00; F24C 3/00; F24C 3/002;
F24C 7/00; F24C 7/002; F24C 7/046;
F24C

(Continued)

FIG. 1 is a front perspective view of an oven showing our new design;
FIG. 2 is a front view thereof;
FIG. 3 is a rear view thereof;
FIG. 4 is a left-side view thereof;
FIG. 5 is a right-side view thereof;
FIG. 6 is a top view thereof;
FIG. 7 is a bottom view thereof;
FIG. 8 is an enlarged view of the encircled portion 8 in FIG. 1; and,
FIG. 9 is an enlarged view of the encircled portion 9 in FIG. 1.

(56) **References Cited**

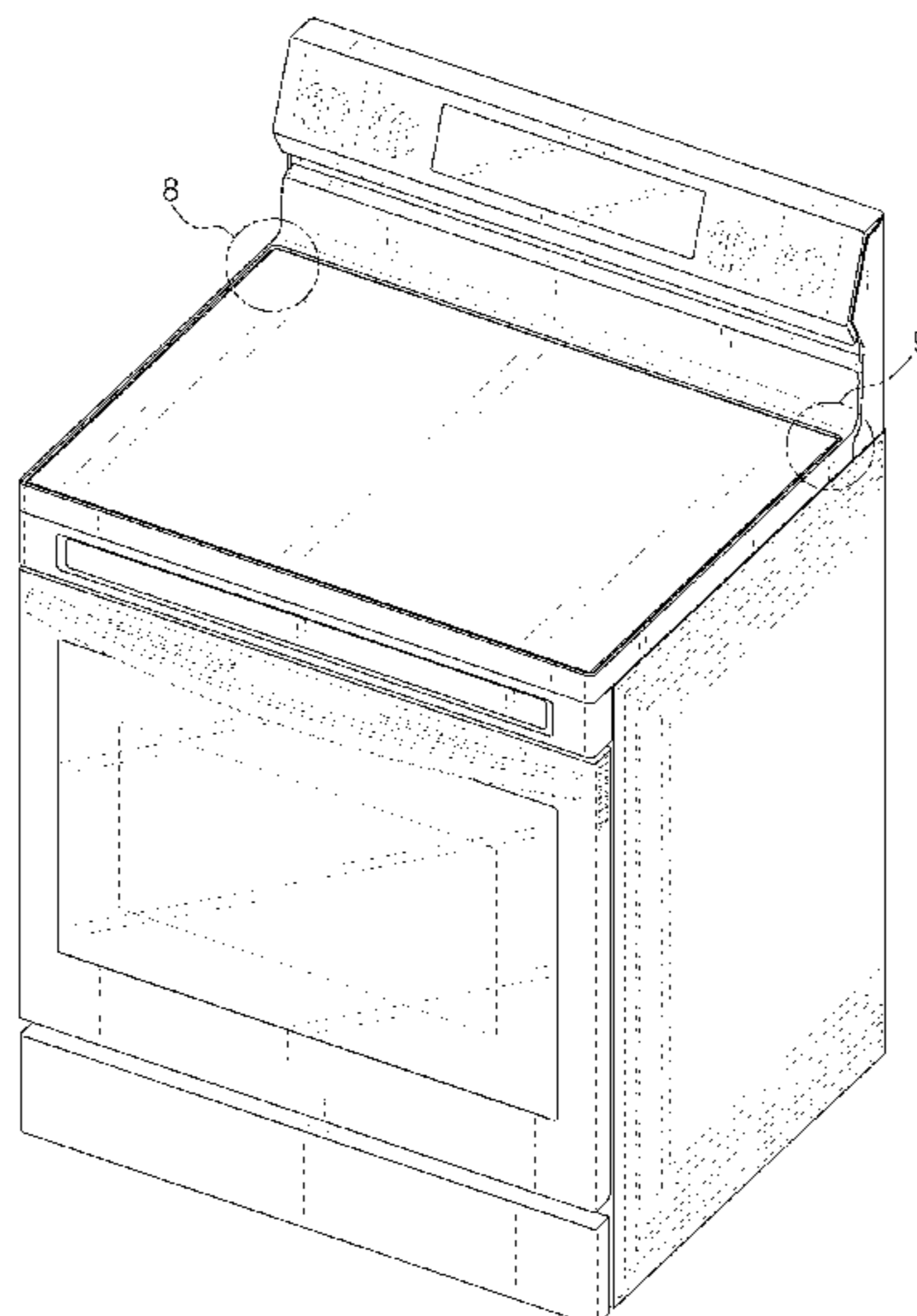
U.S. PATENT DOCUMENTS

5,653,221 A * 8/1997 Luken F24C 7/082
126/39 B
D538,582 S * 3/2007 Kim D7/340

(Continued)

The broken lines in the figures depict portions of the oven which form no part of the claimed design.
The dot-dot-dash broken lines encircling portions of the claimed design that are illustrated in enlargements form no part of the claimed design.

1 Claim, 9 Drawing Sheets



(58) **Field of Classification Search**

CPC 7/062; F24C 7/067; F24C 15/024; F24C
15/162; F24C 15/00; F24C 15/022; F24C
15/102; F24C 15/34; F24C 15/108; F24C
7/082

See application file for complete search history.

D929,169 S * 8/2021 Ryu F24C 7/082
D7/340
2013/0019851 A1* 1/2013 Choi F24C 15/108
126/19 R
2016/0290658 A1* 10/2016 Phillips F24C 15/34

FOREIGN PATENT DOCUMENTS

KR 30-2014-0063823 6/2015
KR 30-2015-0066226 7/2016

(56)

References Cited

U.S. PATENT DOCUMENTS

D541,577 S * 5/2007 Kim D7/340
D560,959 S * 2/2008 Shin D7/348
D612,210 S 3/2010 Baker et al.
D612,678 S * 3/2010 Baker D7/405
D620,751 S * 8/2010 Cline D7/405
D623,889 S * 9/2010 Kim D7/340
D646,921 S * 10/2011 Kim D7/340
D685,602 S 7/2013 Lee
D710,644 S * 8/2014 Kim D7/340
D731,844 S * 6/2015 Kim D7/346
D782,872 S * 4/2017 Cho D7/406
D793,149 S * 8/2017 Lee D7/346
D794,998 S * 8/2017 Cho D7/340
D862,167 S * 10/2019 Choi D7/406
D871,823 S * 1/2020 Choi D7/340
D918,638 S * 5/2021 Kwon D7/340
D918,639 S * 5/2021 Ryu F24C 15/34
D7/340
D918,642 S * 5/2021 Ryu D7/340

OTHER PUBLICATIONS

Frigidaire Oven Cooktop, posted at Amazon.com on Sep. 13, 2018, [site visited Jan. 24, 2022], Available from internet, URL: <<https://www.amazon.com/Frigidaire-FFEF3054TS-Freestanding-Smoothtop-Stainless/dp/B074JKXZ3X/>> (Year: 2018).*

Frigidaire Freestanding Electric Range, posted at Amazon.com on Nov. 22, 2019, [site visited Jan. 24, 2022], Available from internet, URL: <<https://www.amazon.com/Frigidaire-FFEF3016VS-Freestanding-Electronic-One-Touch/dp/B081VW1XYS/>> (Year: 2019).*

LG Smart Electric Single Oven Range, Oct. 8, 2020, [site visited Jan. 24, 2022], Available from internet, URL: <<https://www.amazon.com/LG-Stainless-Electric-Single-AirFry/dp/B08KWBK7K6/>> (Year: 2020).*

* cited by examiner

FIG. 1

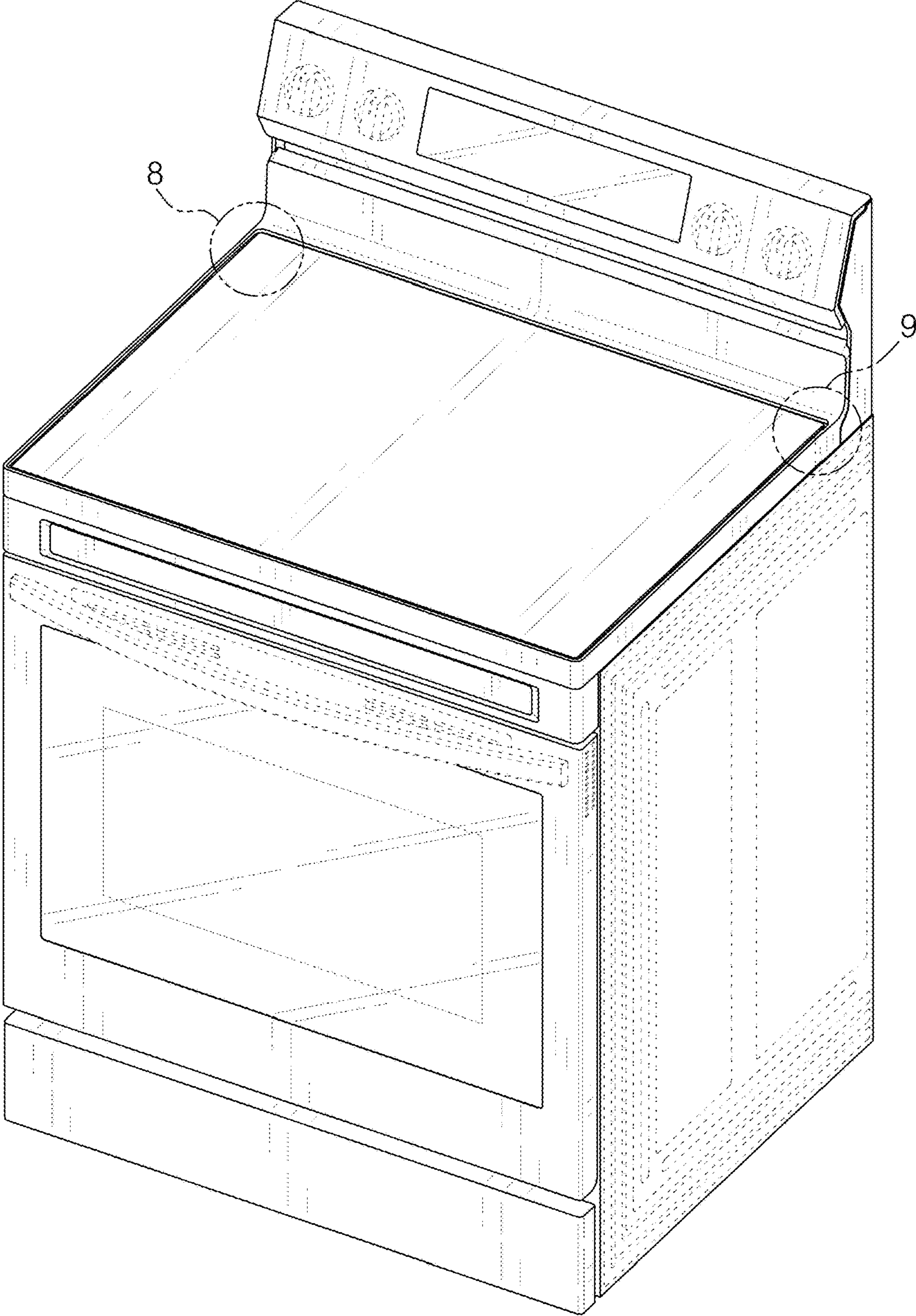


FIG. 2

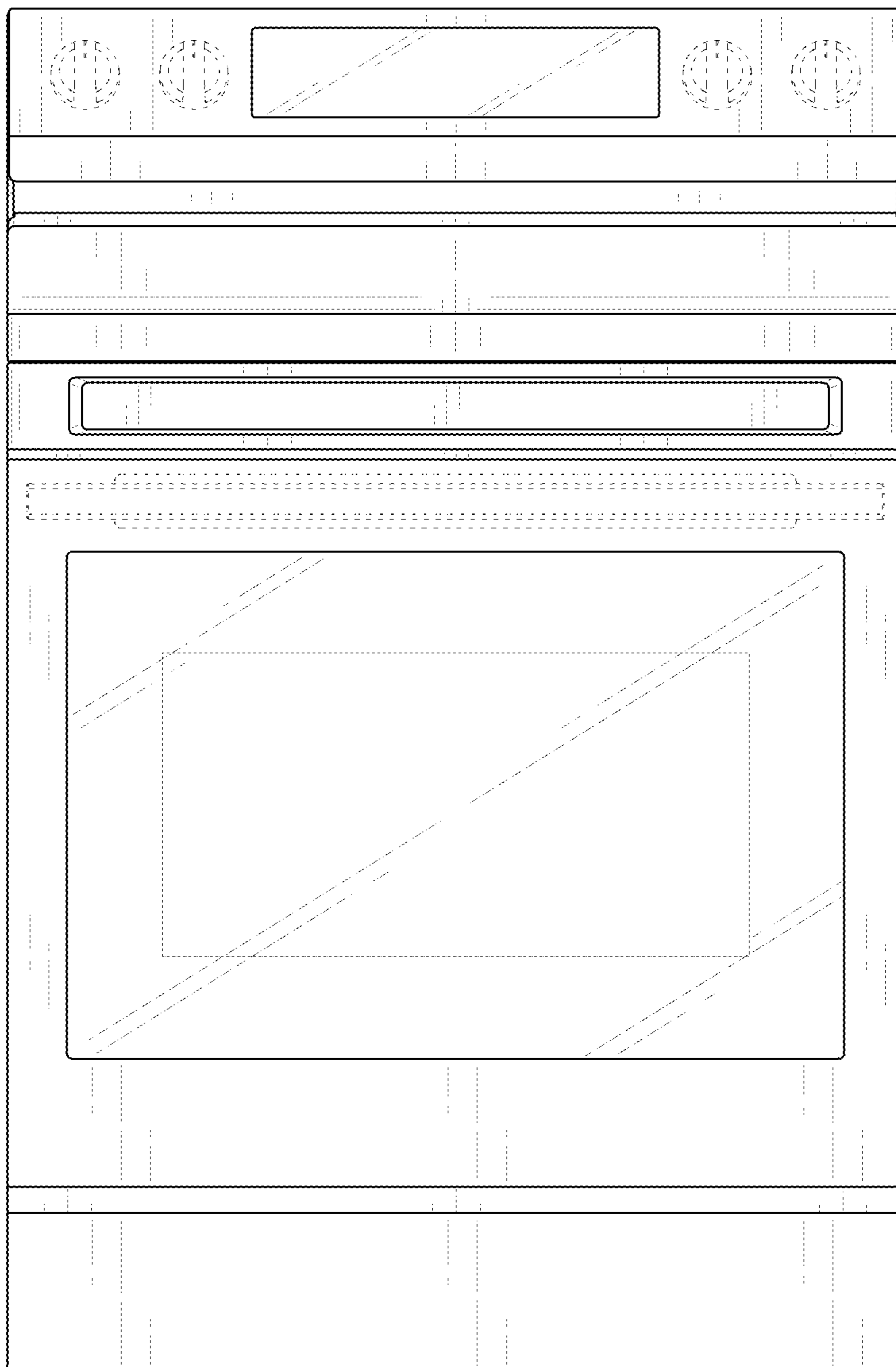


FIG. 3

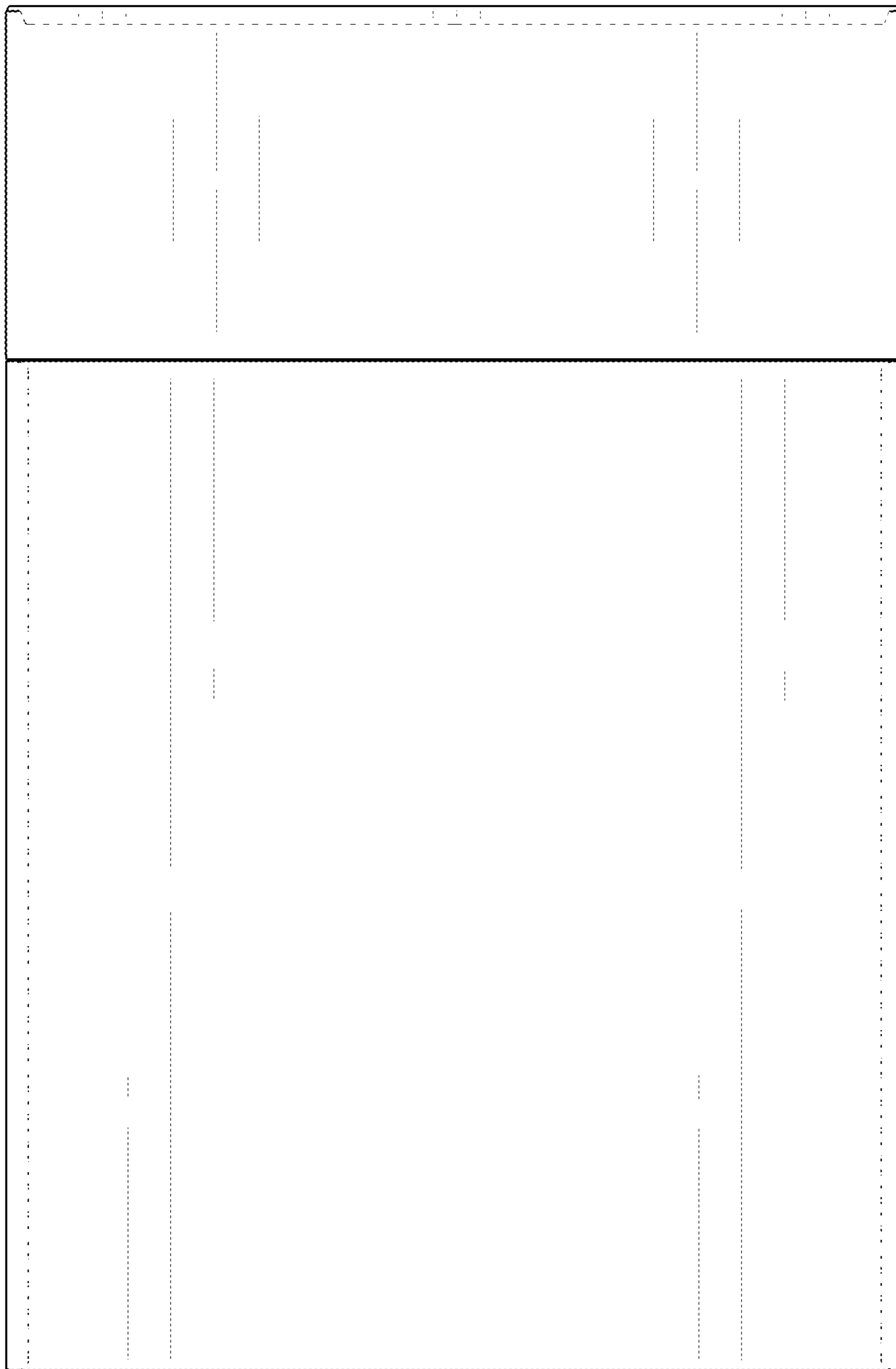


FIG. 4

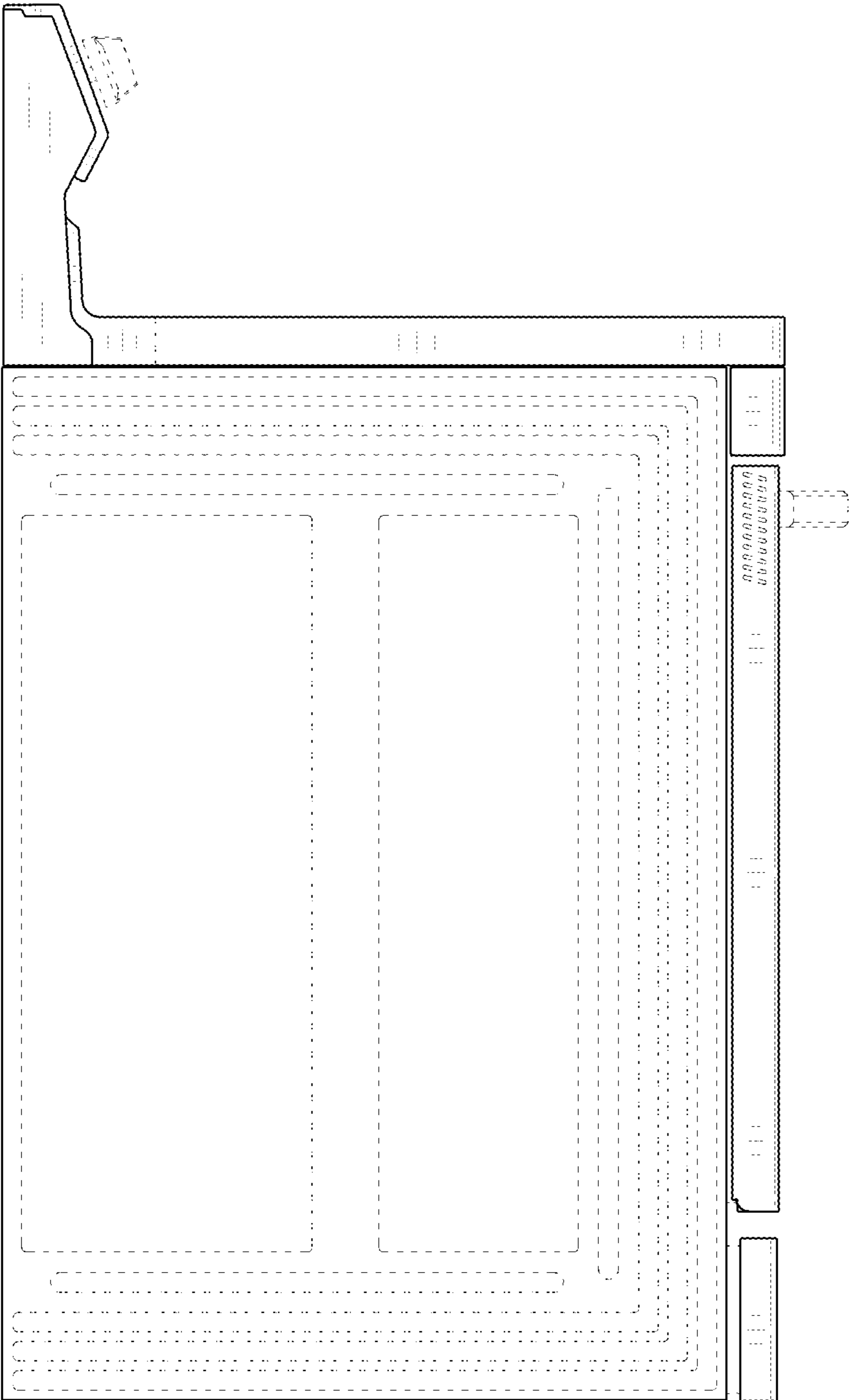


FIG. 5

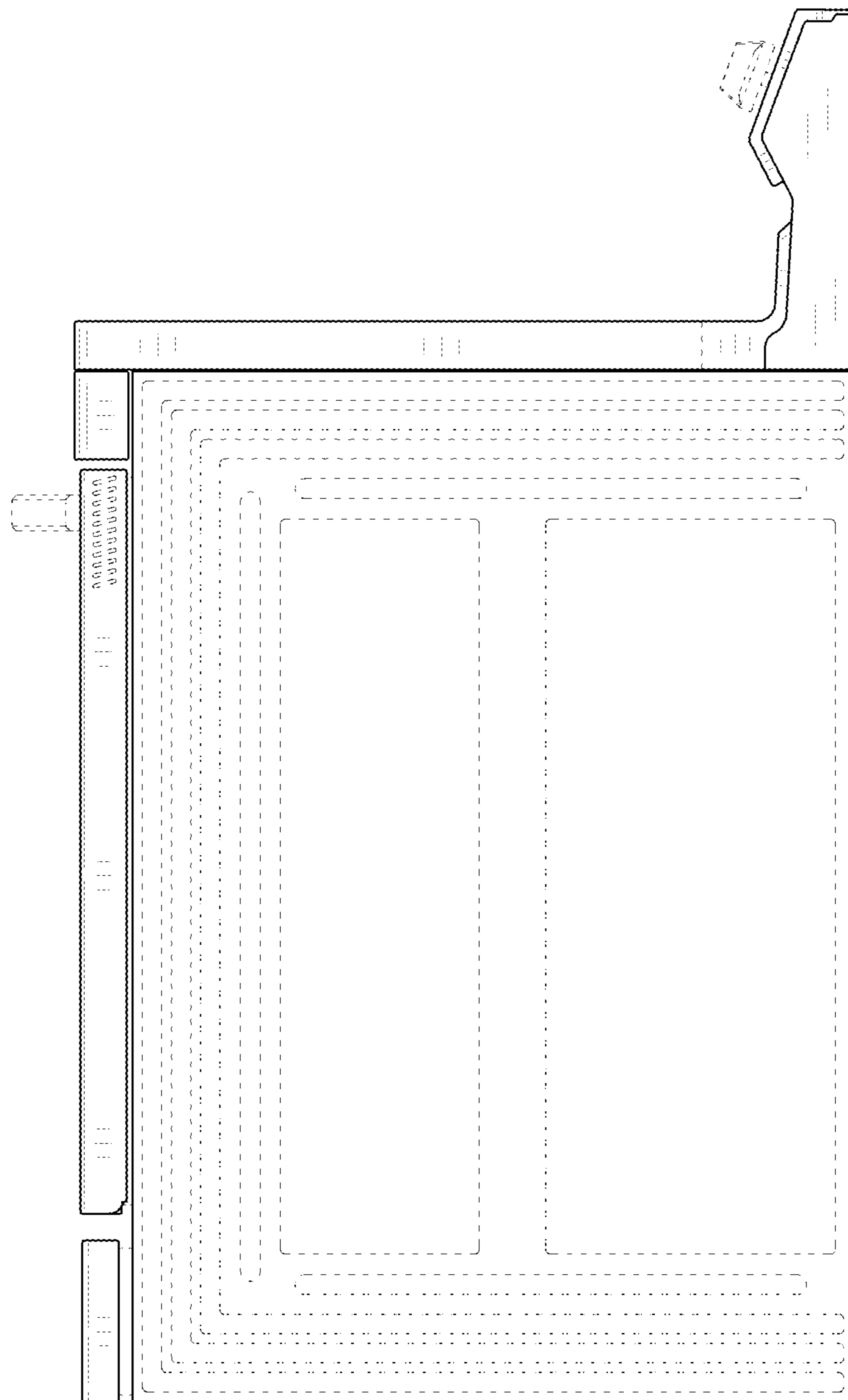


FIG. 6

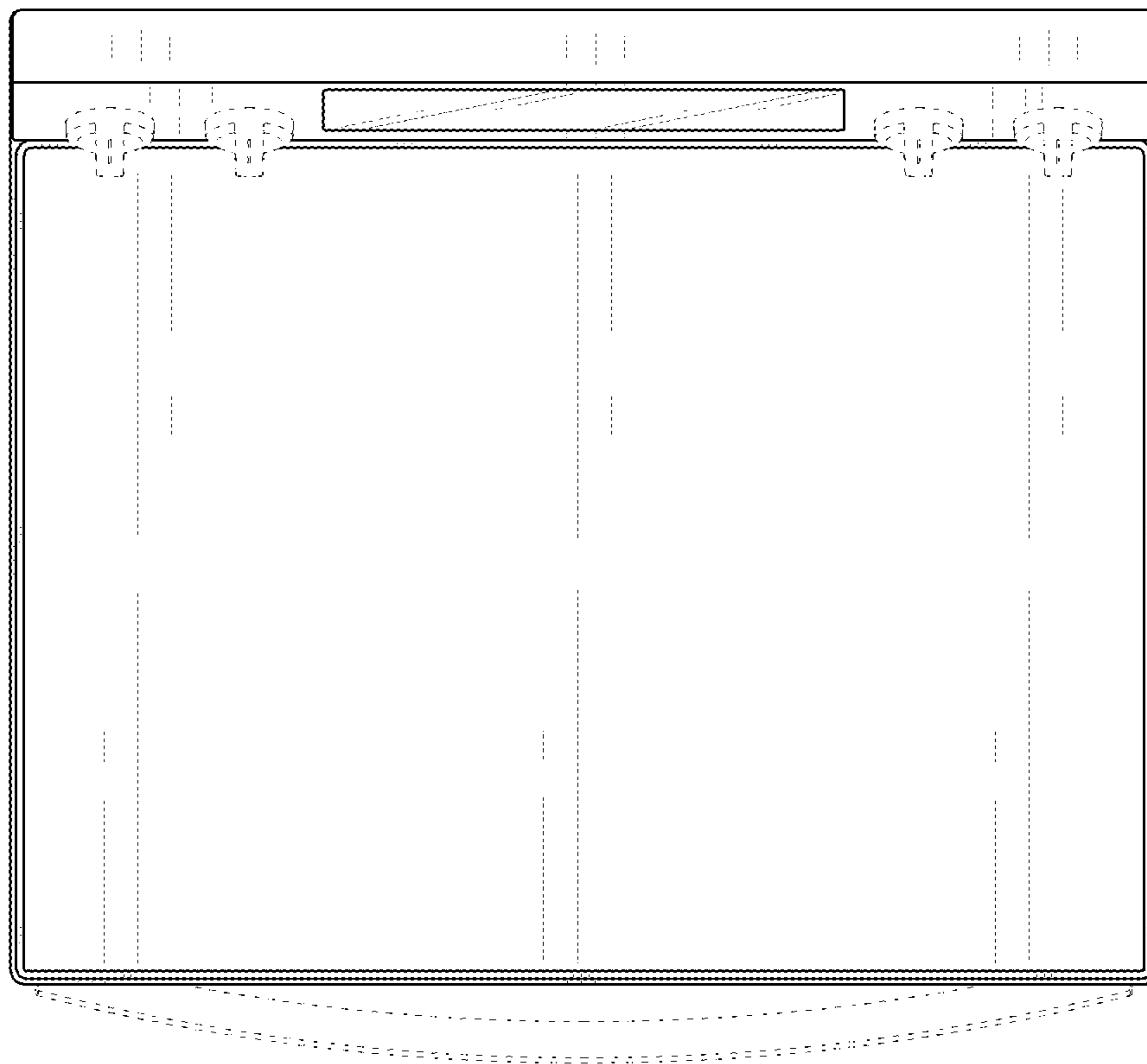


FIG. 7

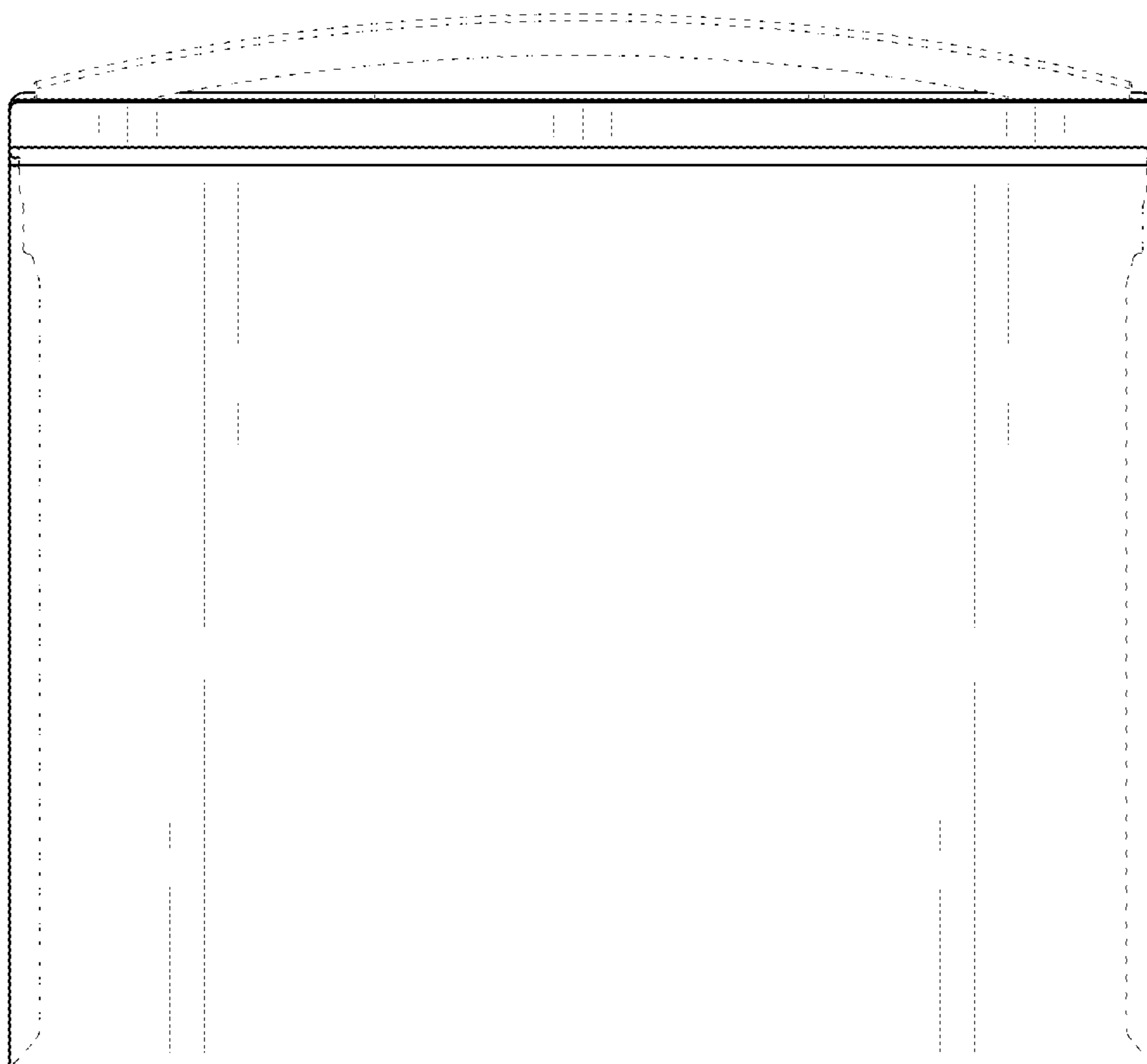


FIG. 8

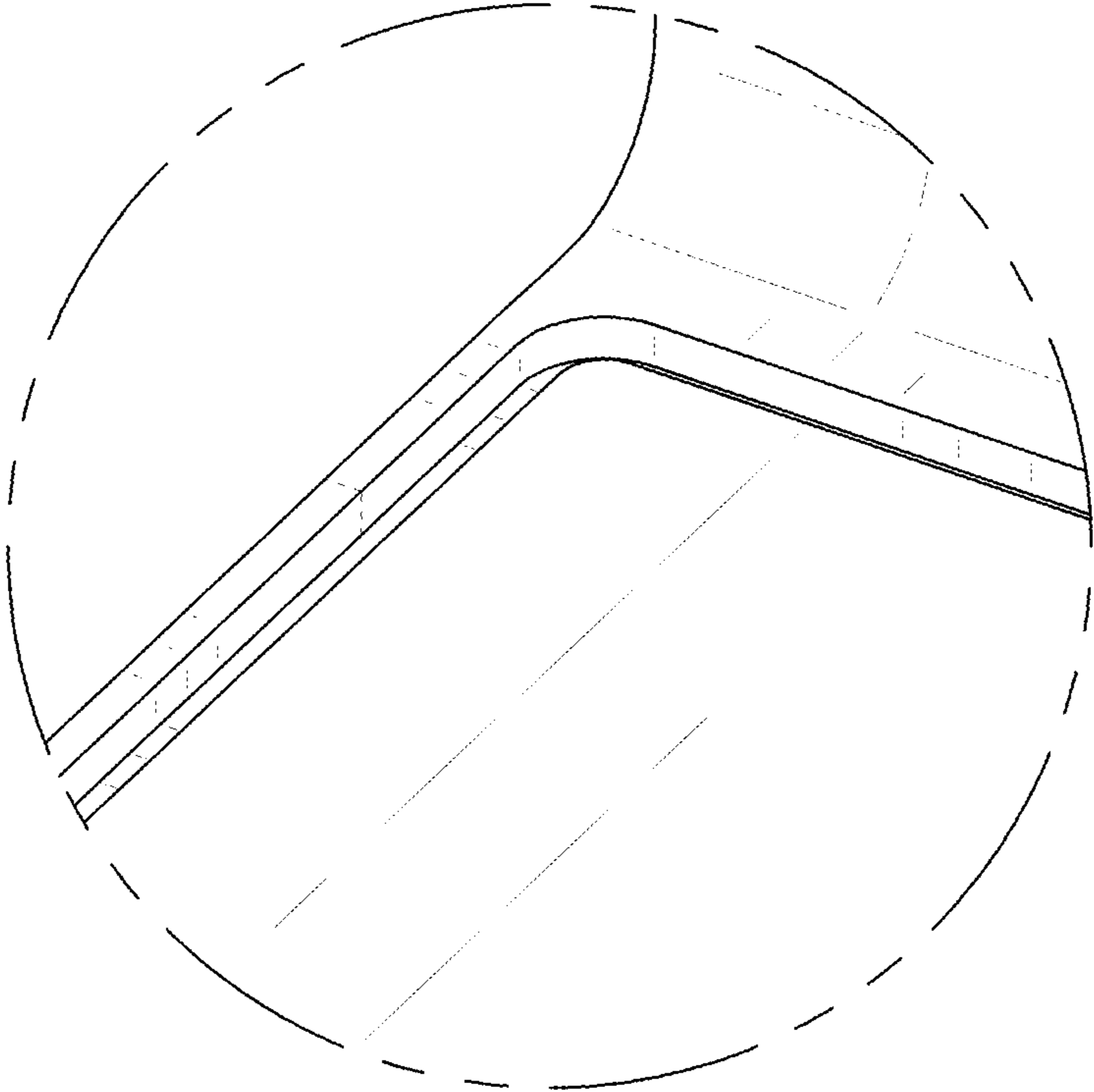


FIG. 9

