



US00D953091S

(12) **United States Design Patent**
Marsden

(10) **Patent No.:** **US D953,091 S**
(45) **Date of Patent:** **** May 31, 2022**

(54) **FOOD PREPARATION DEVICE**

(56) **References Cited**

(71) Applicant: **SHARKNINJA OPERATING LLC**,
Needham, MA (US)

(72) Inventor: **Jennifer Kathryn Marsden**, London
(GB)

(73) Assignee: **SharkNinja Operating LLC**,
Needham, MA (US)

(**) Term: **15 Years**

(21) Appl. No.: **29/766,055**

(22) Filed: **Jan. 13, 2021**

Related U.S. Application Data

(63) Continuation of application No. 29/743,243, filed on
Jul. 20, 2020.

(51) **LOC (13) Cl.** **07-02**

(52) **U.S. Cl.**
USPC **D7/329; D7/328; D7/354**

(58) **Field of Classification Search**
USPC ... D7/323, 328, 350.1, 350.4, 351, 354-361,
D7/405

CPC A23L 1/01; A23L 1/0107; A23L 1/0114;
A47J 27/00; A47J 27/004; A47J 27/08;
A47J 27/09; A47J 27/092; A47J 36/025;
A47J 36/06; A47J 36/08; A47J 36/10;
A47J 36/12; A47J 36/18; A47J 36/20;
A47J 36/22; A47J 36/165; A47J 37/00;
A47J 37/12; A47J 37/129; A47J 37/1204;
A47J 37/1209; A47J 37/1214; A47J
37/1219; A47J 37/1266; A47J 37/1285;
A47J 37/1295; G07F 17/0064; G07F
17/0078; G07F 17/0085; H05B 6/02;
H05B 6/06; H05B 6/12

See application file for complete search history.

U.S. PATENT DOCUMENTS

D286,003	S	*	10/1986	Viancin	D7/350.4
D288,274	S	*	2/1987	Mayeur	D7/350.4
D466,757	S	*	12/2002	Hsu	D7/350.1
D476,844	S	*	7/2003	Hsu	D7/350.4
D476,845	S	*	7/2003	Hsu	D7/350.4
D628,432	S	*	12/2010	Pino	D7/350.1
D628,433	S	*	12/2010	Pino	D7/350.1
D770,841	S	*	11/2016	Affatato	D7/350.1
D770,842	S	*	11/2016	Affatato	D7/350.1

* cited by examiner

Primary Examiner — Ricky Pham

(74) *Attorney, Agent, or Firm* — Mintz Levin Cohn Ferris
Glovsky and Popeo, PC; Lisa Adams

(57) **CLAIM**

The ornamental design for a food preparation device, as
shown and described.

DESCRIPTION

FIG. 1 is a perspective view of a food preparation device,
showing my new design in a first embodiment;
FIG. 2 is a front view of the embodiment shown in FIG. 1;
FIG. 3 is a rear view of the embodiment shown in FIG. 1;
FIG. 4 is a side view of the embodiment shown in FIG. 1;
FIG. 5 is another side view of the embodiment shown in
FIG. 1;
FIG. 6 is a top view of the embodiment shown in FIG. 1;
and,
FIG. 7 is a bottom view of the embodiment shown in FIG.
1.

The broken lines in the drawings are for environmental
purposes only and form no part of the claimed design.

1 Claim, 5 Drawing Sheets



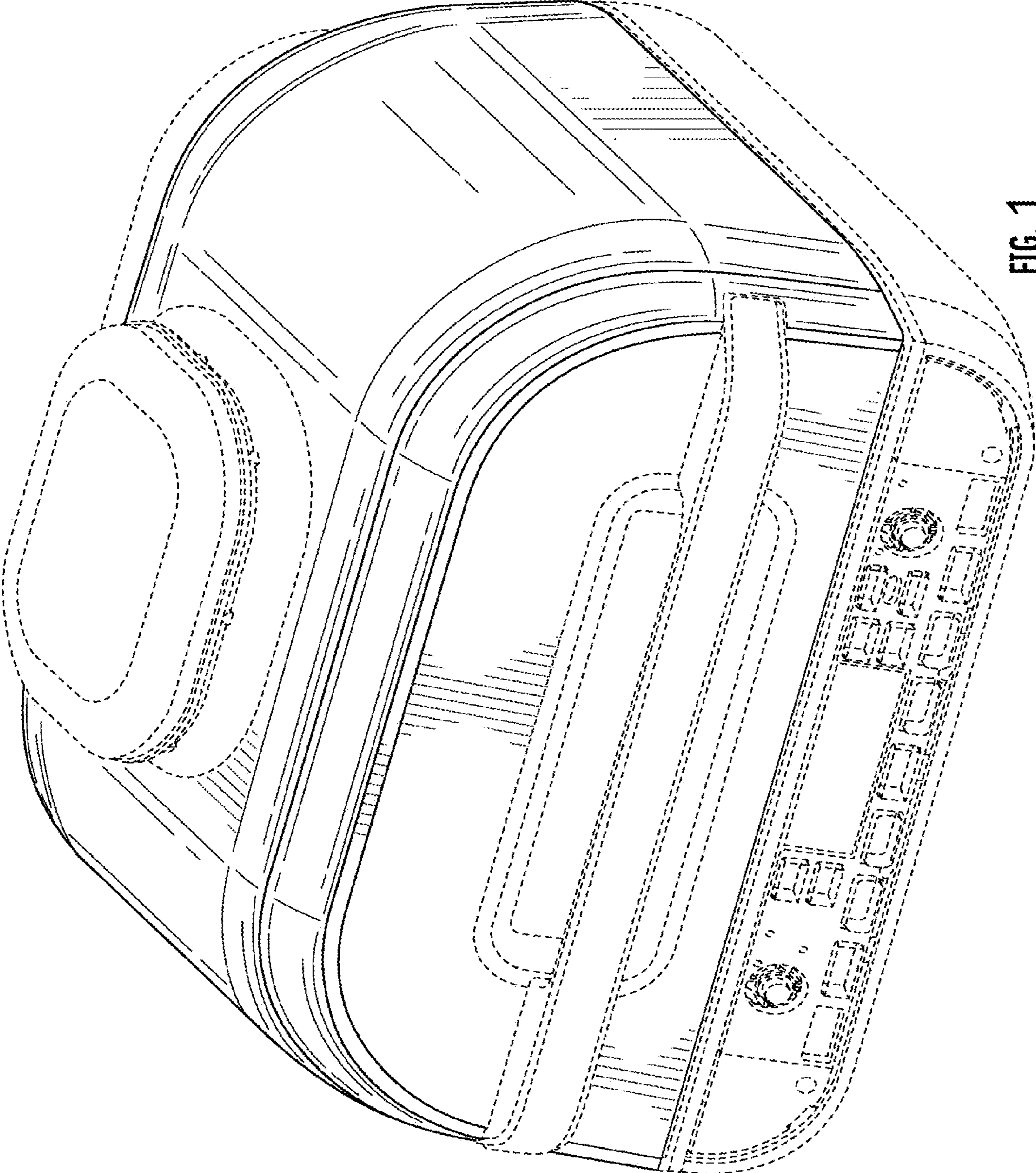


FIG. 1

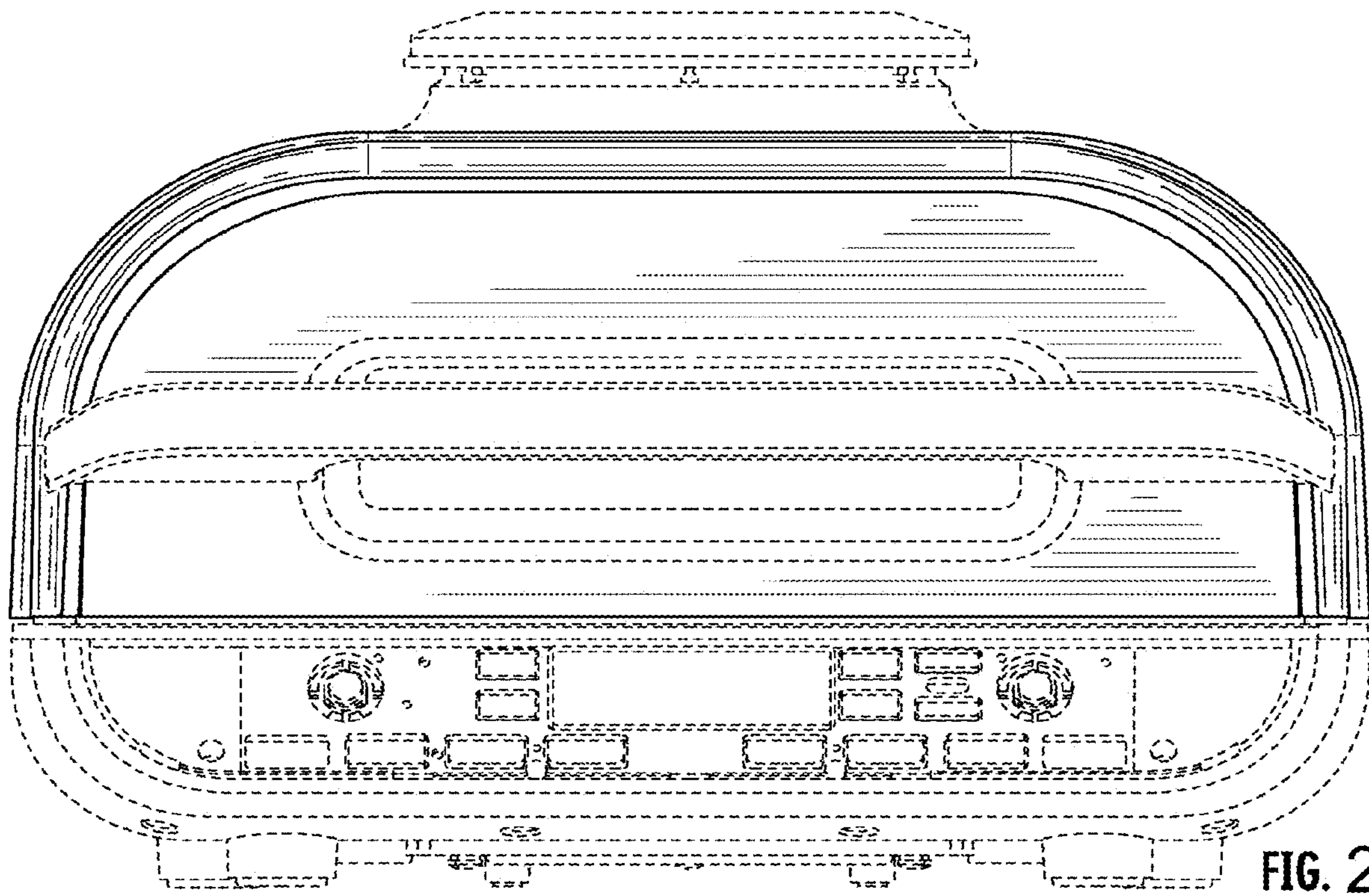


FIG. 2

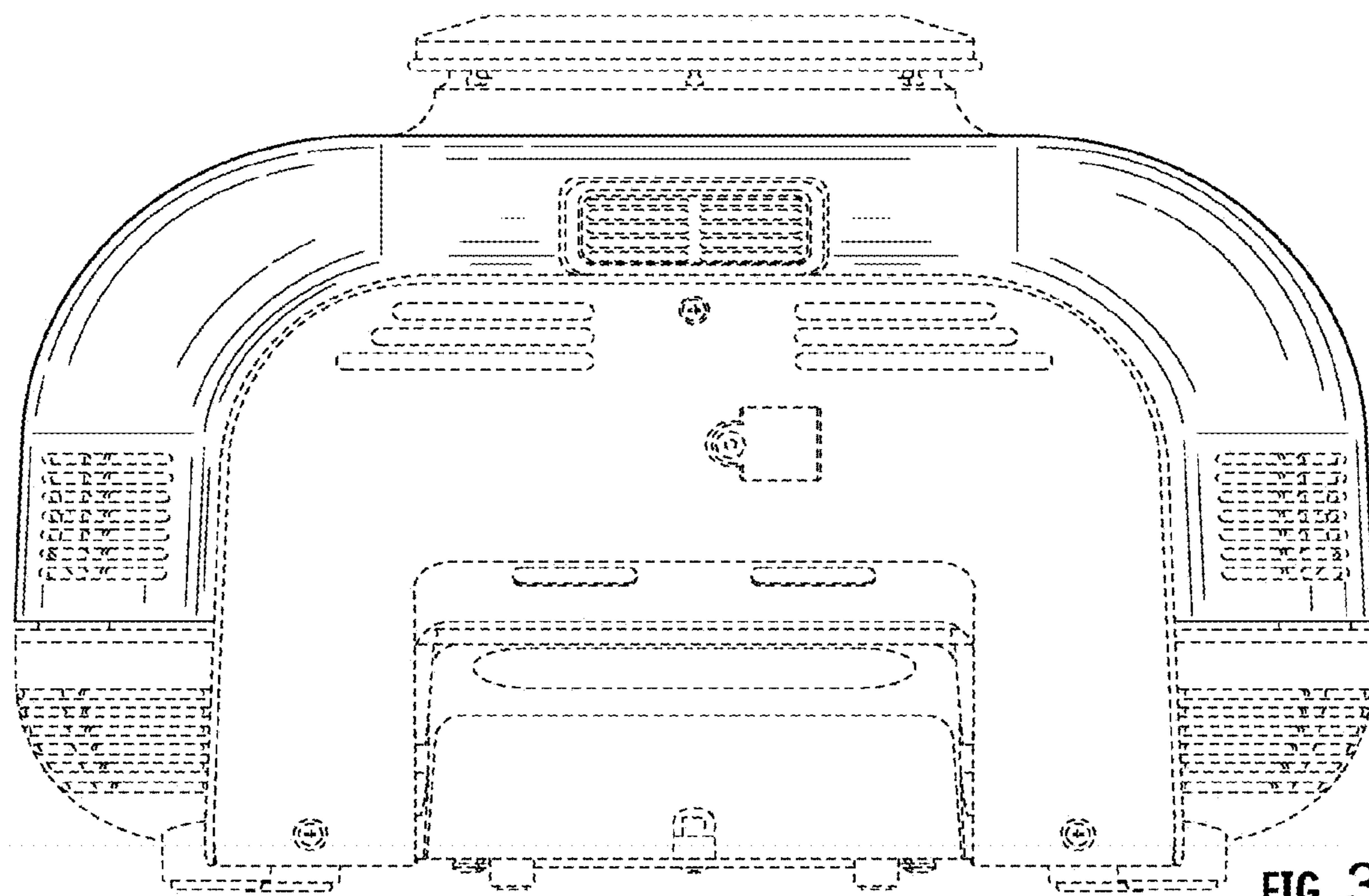


FIG. 3

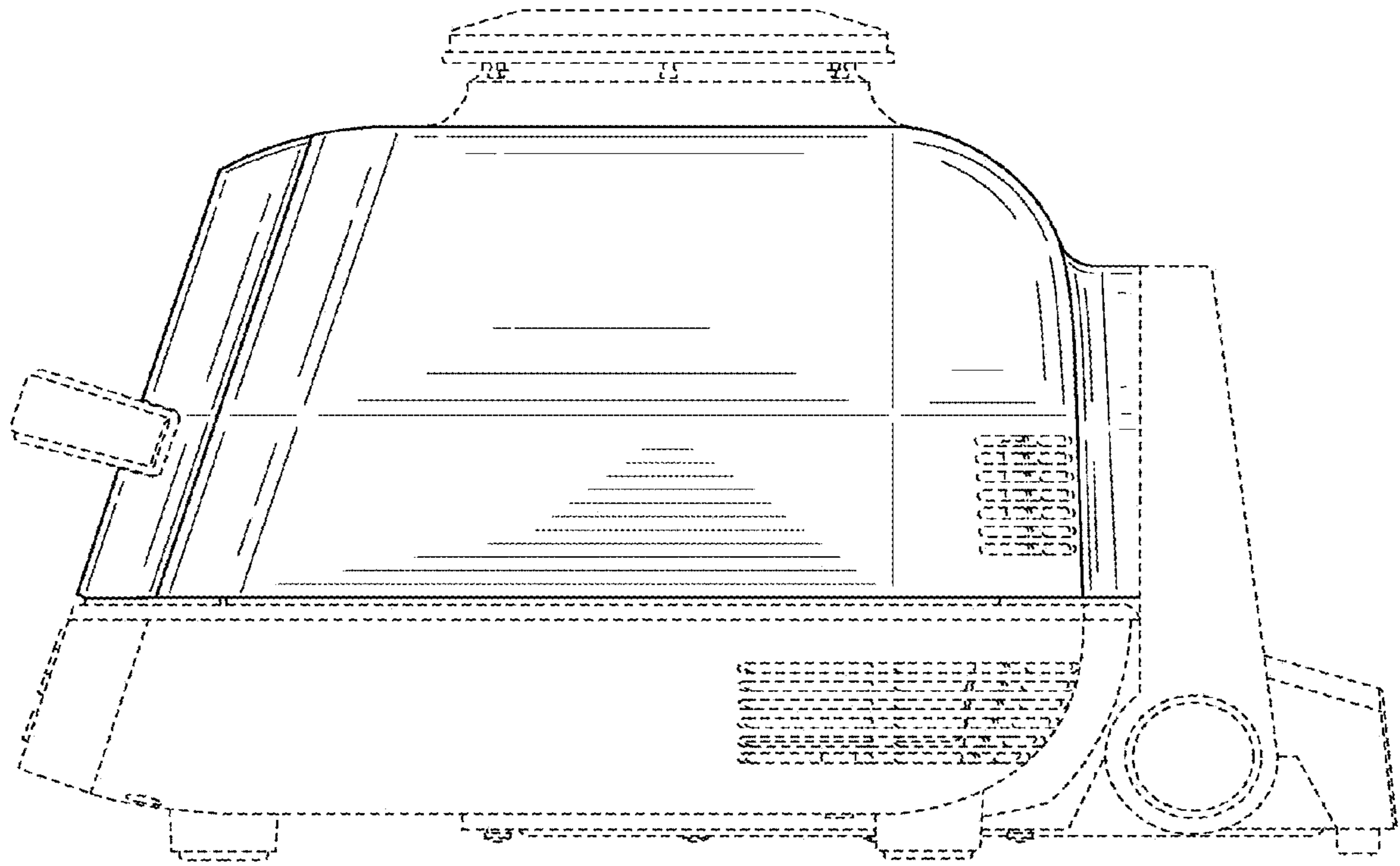


FIG. 4

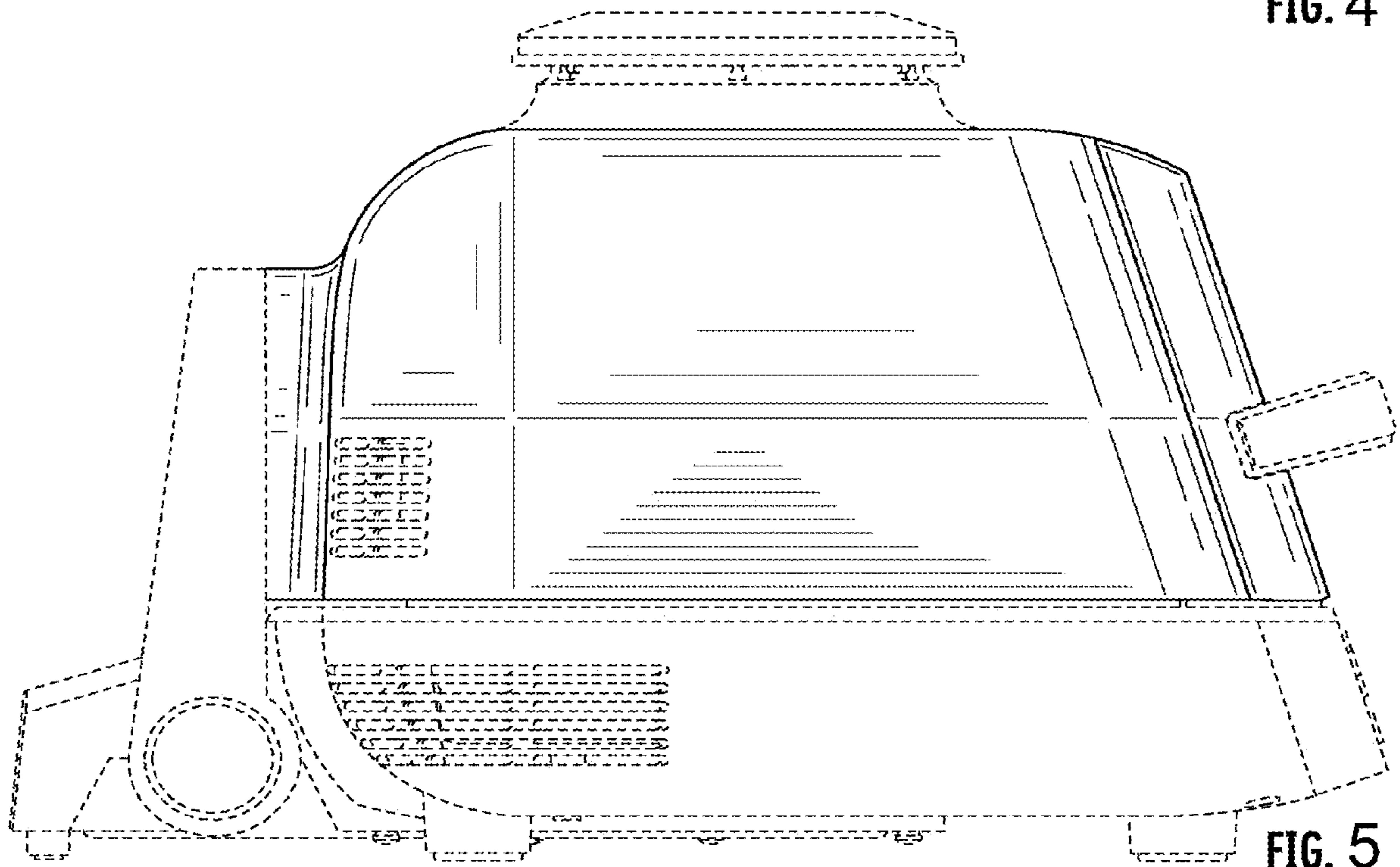


FIG. 5

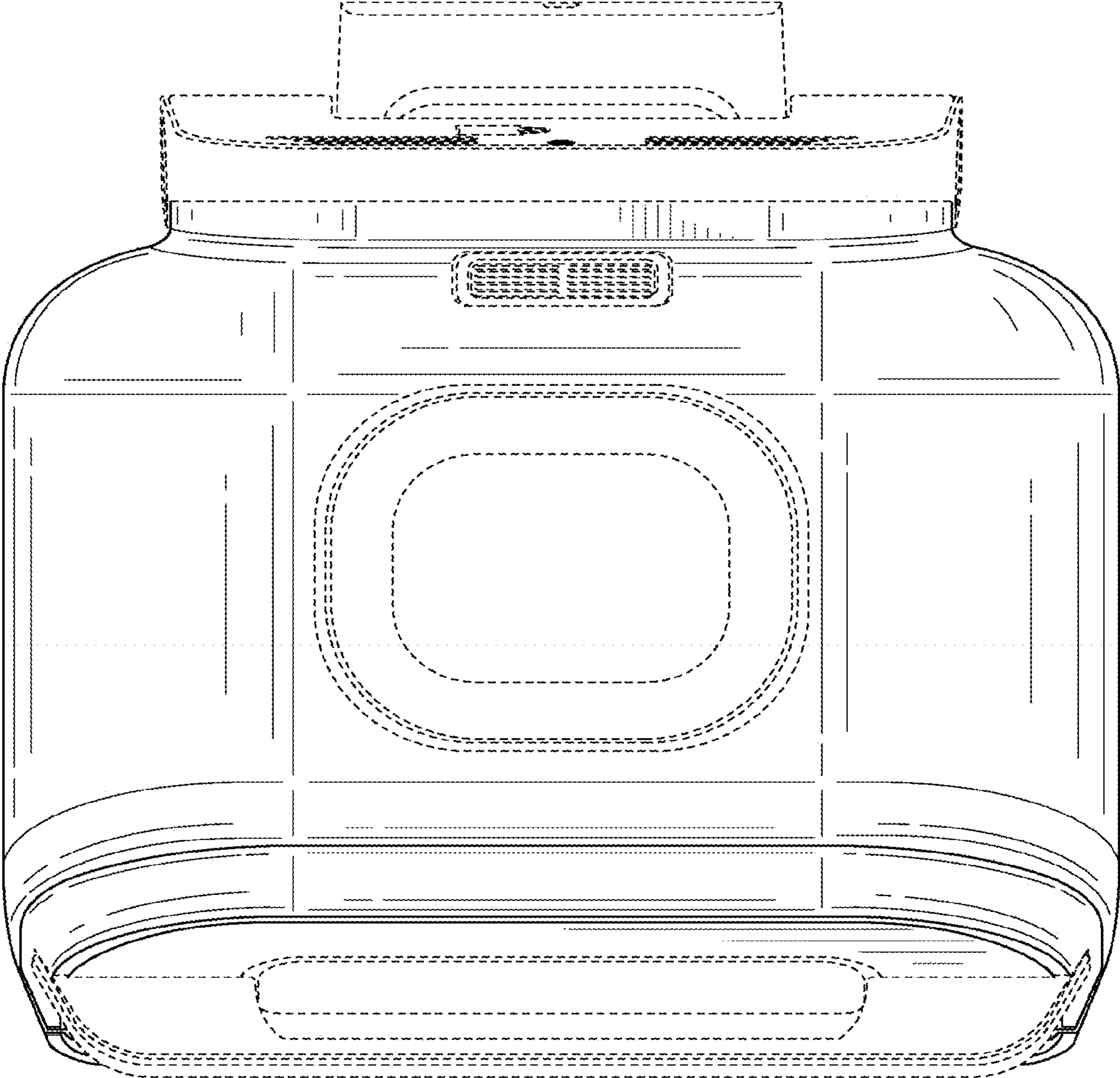


FIG. 6

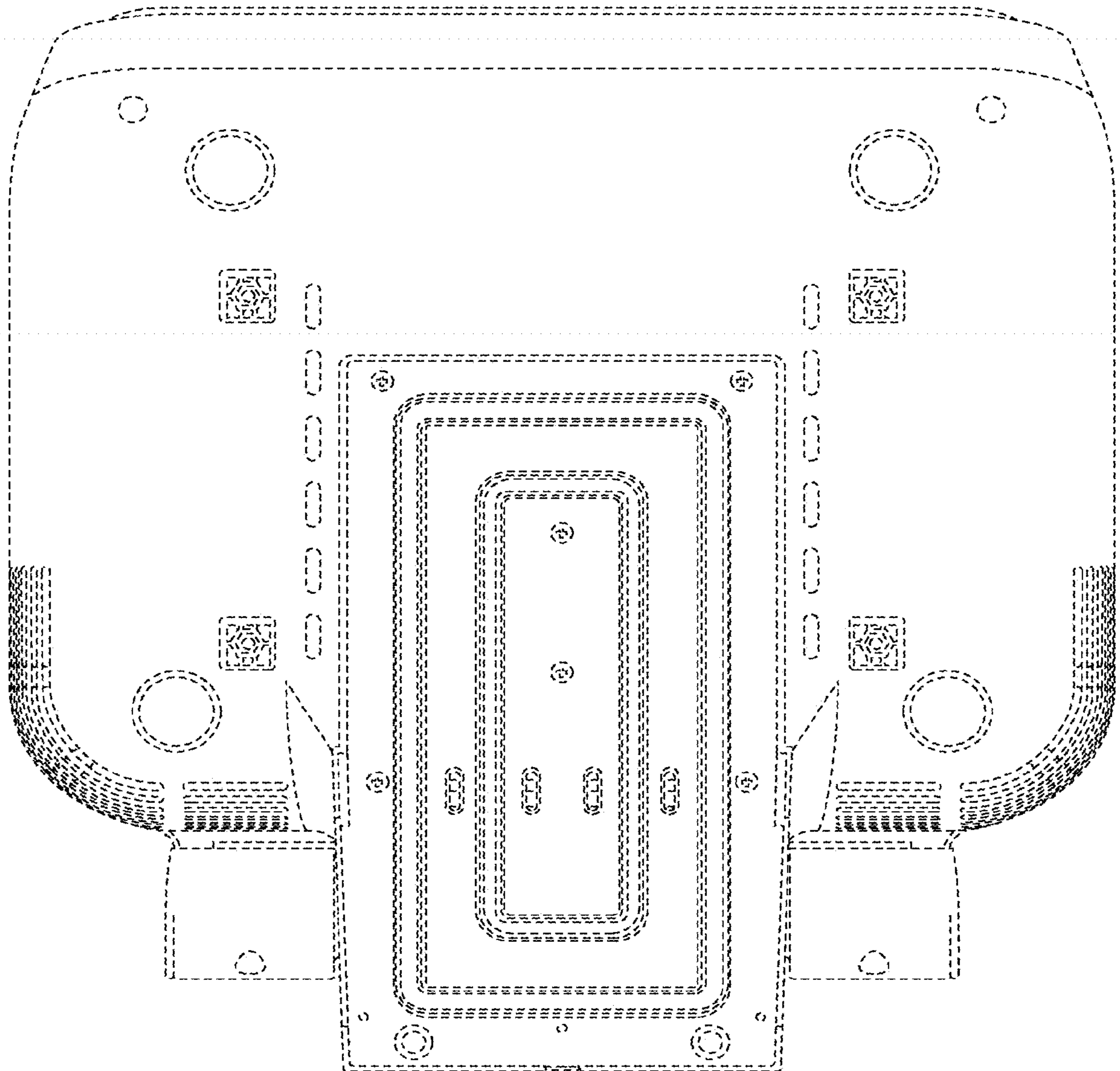


FIG. 7