



US00D953090S

(12) **United States Design Patent** (10) **Patent No.:** **US D953,090 S**  
**Marsden** (45) **Date of Patent:** **\*\* May 31, 2022**

(54) **FOOD PREPARATION DEVICE**

(56) **References Cited**

(71) Applicant: **SHARKNINJA OPERATING LLC**,  
Needham, MA (US)

U.S. PATENT DOCUMENTS

(72) Inventor: **Jennifer Kathryn Marsden**, London  
(GB)

D286,003 S *	10/1986	Viancin .....	D7/350.4
D288,274 S *	2/1987	Mayeur .....	D7/350.4
D466,757 S *	12/2002	Hsu .....	D7/350.1
D476,844 S *	7/2003	Hsu .....	D7/350.4
D476,845 S *	7/2003	Hsu .....	D7/350.4
D628,432 S *	12/2010	Pino .....	D7/350.1
D628,433 S *	12/2010	Pino .....	D7/350.1
D770,841 S *	11/2016	Affatato .....	D7/350.1
D770,842 S *	11/2016	Affatato .....	D7/350.1

(73) Assignee: **SharkNinja Operating LLC**,  
Needham, MA (US)

(\*\*) Term: **15 Years**

\* cited by examiner

(21) Appl. No.: **29/743,243**

*Primary Examiner* — Ricky Pham

(22) Filed: **Jul. 20, 2020**

(74) *Attorney, Agent, or Firm* — Mintz Levin Cohn Ferris  
Glovsky and Popeo, PC; Lisa Adams

(51) **LOC (13) Cl.** ..... **07-02**

(57) **CLAIM**

(52) **U.S. Cl.**  
USPC ..... **D7/329**; D7/328; D7/354

The ornamental design for a food preparation device, as  
shown and described.

(58) **Field of Classification Search**  
USPC ... D7/323, 328, 350.1, 350.4, 351, 354–361,  
D7/405

**DESCRIPTION**

CPC ..... A23L 1/01; A23L 1/0107; A23L 1/0114;  
A47J 27/00; A47J 27/004; A47J 27/08;  
A47J 27/09; A47J 27/092; A47J 36/025;  
A47J 36/06; A47J 36/08; A47J 36/10;  
A47J 36/12; A47J 36/18; A47J 36/20;  
A47J 36/22; A47J 36/165; A47J 37/00;  
A47J 37/12; A47J 37/129; A47J 37/1204;  
A47J 37/1209; A47J 37/1214; A47J  
37/1219; A47J 37/1266; A47J 37/1285;  
A47J 37/1295; G07F 17/0064; G07F  
17/0078; G07F 17/0085; H05B 6/02;  
H05B 6/06; H05B 6/12

FIG. 1 is a perspective view of a food preparation device,  
showing my new design in a first embodiment;  
FIG. 2 is a front view of the embodiment shown in FIG. 1;  
FIG. 3 is a rear view of the embodiment shown in FIG. 1;  
FIG. 4 is a side view of the embodiment shown in FIG. 1;  
FIG. 5 is another side view of the embodiment shown in  
FIG. 1;  
FIG. 6 is a top view of the embodiment shown in FIG. 1;  
and,  
FIG. 7 is a bottom view of the embodiment shown in FIG.  
1.  
The broken lines in the drawings are for environmental  
purposes only and form no part of the claimed design.

See application file for complete search history.

**1 Claim, 5 Drawing Sheets**



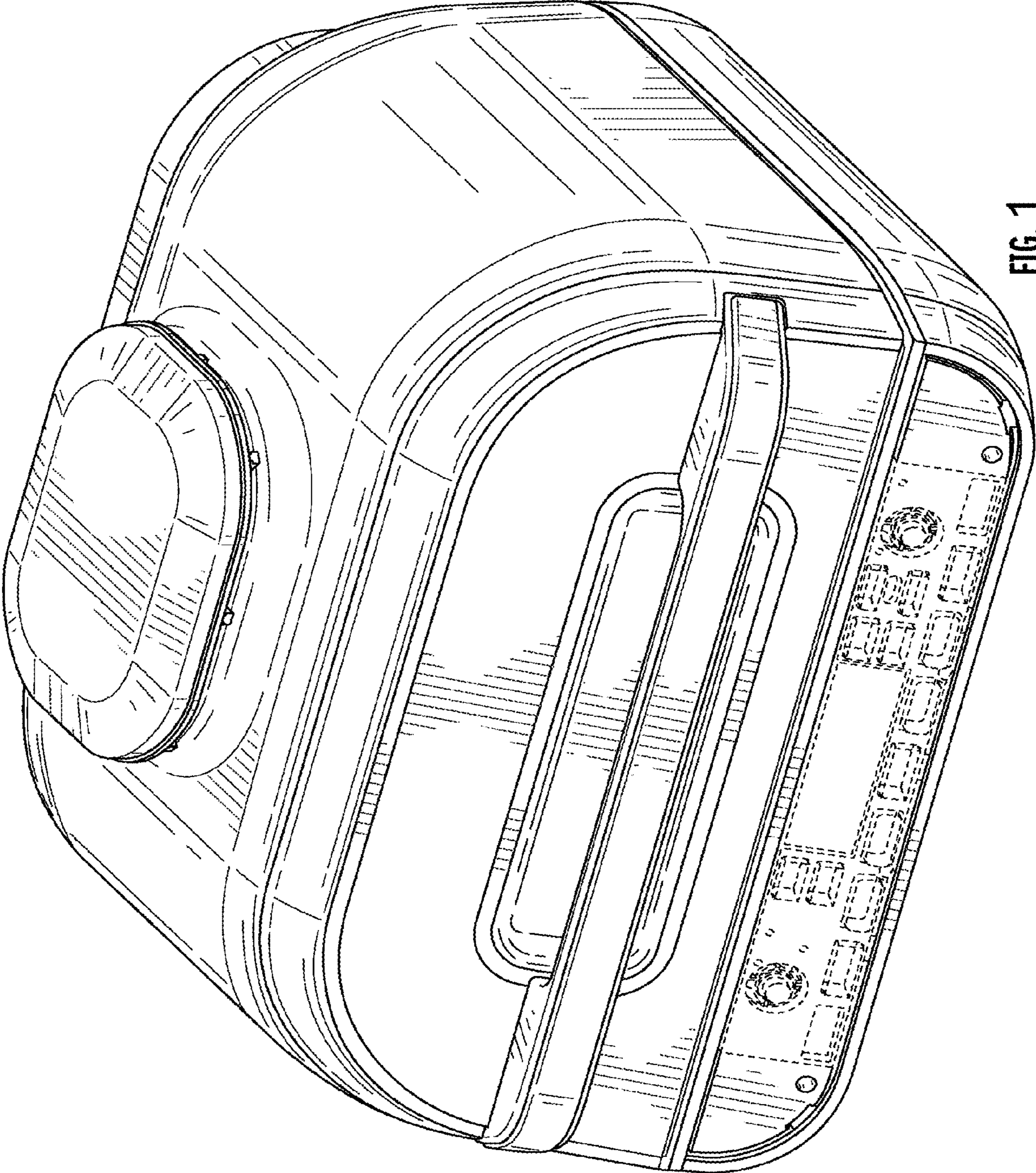
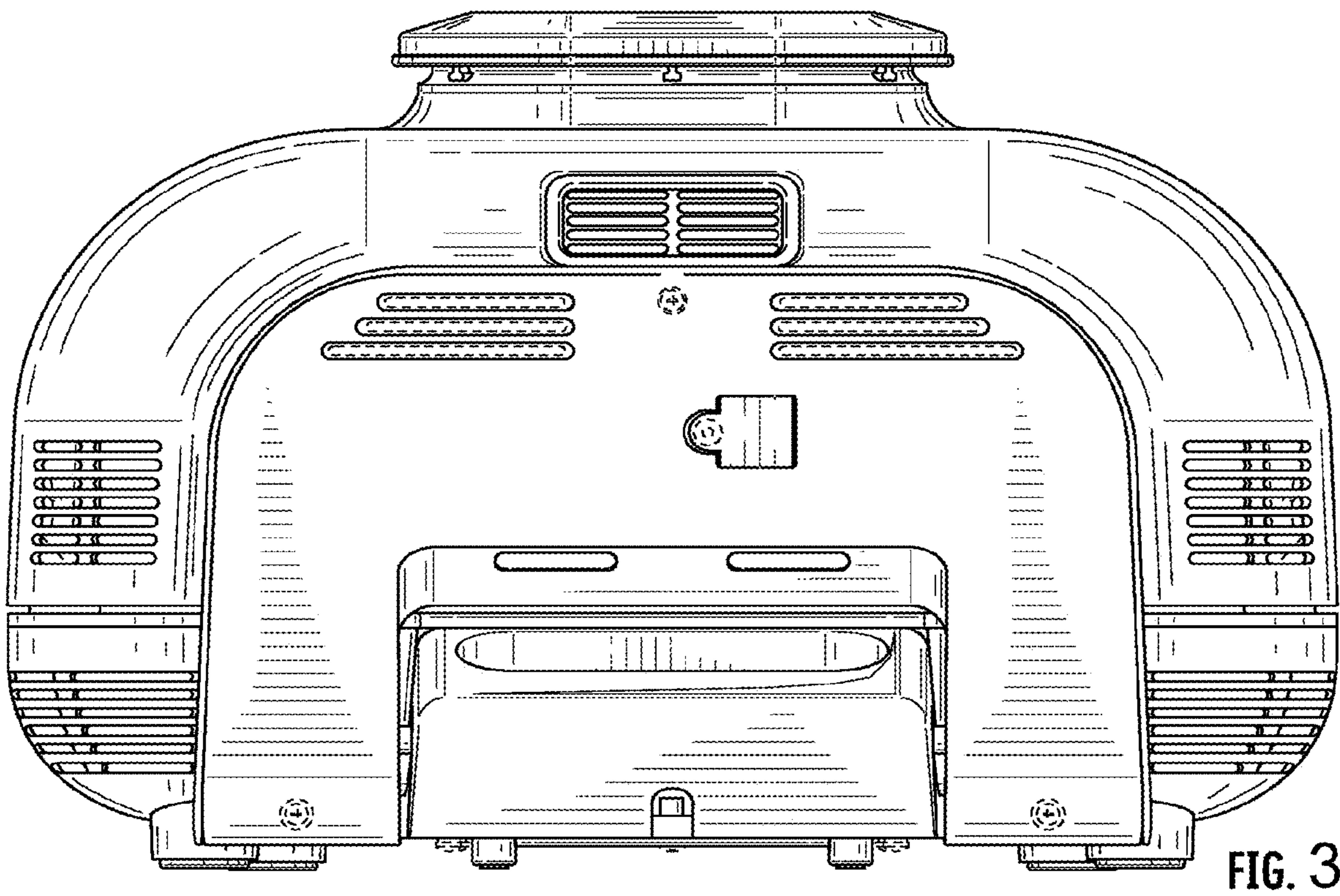
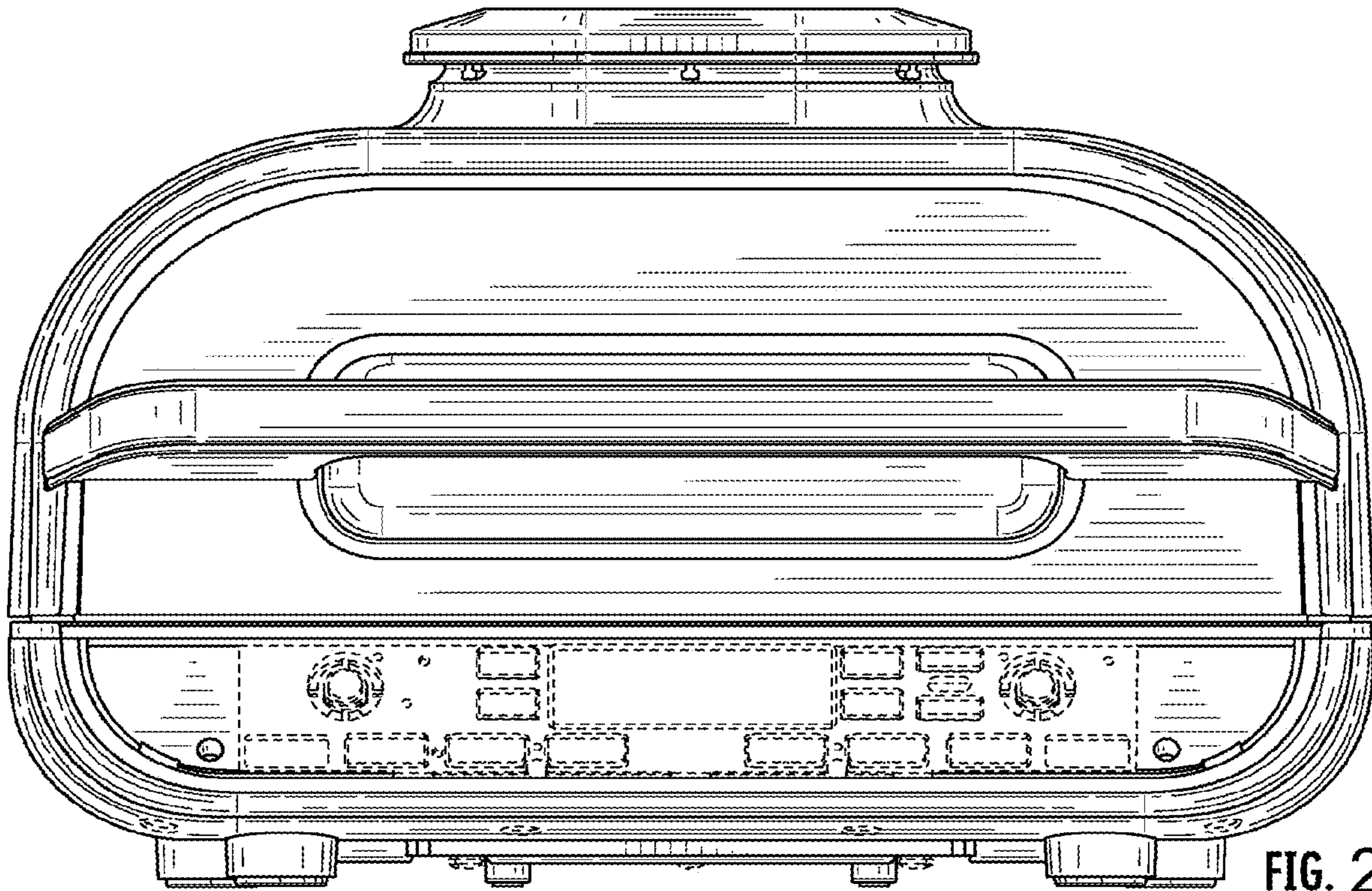


FIG. 1



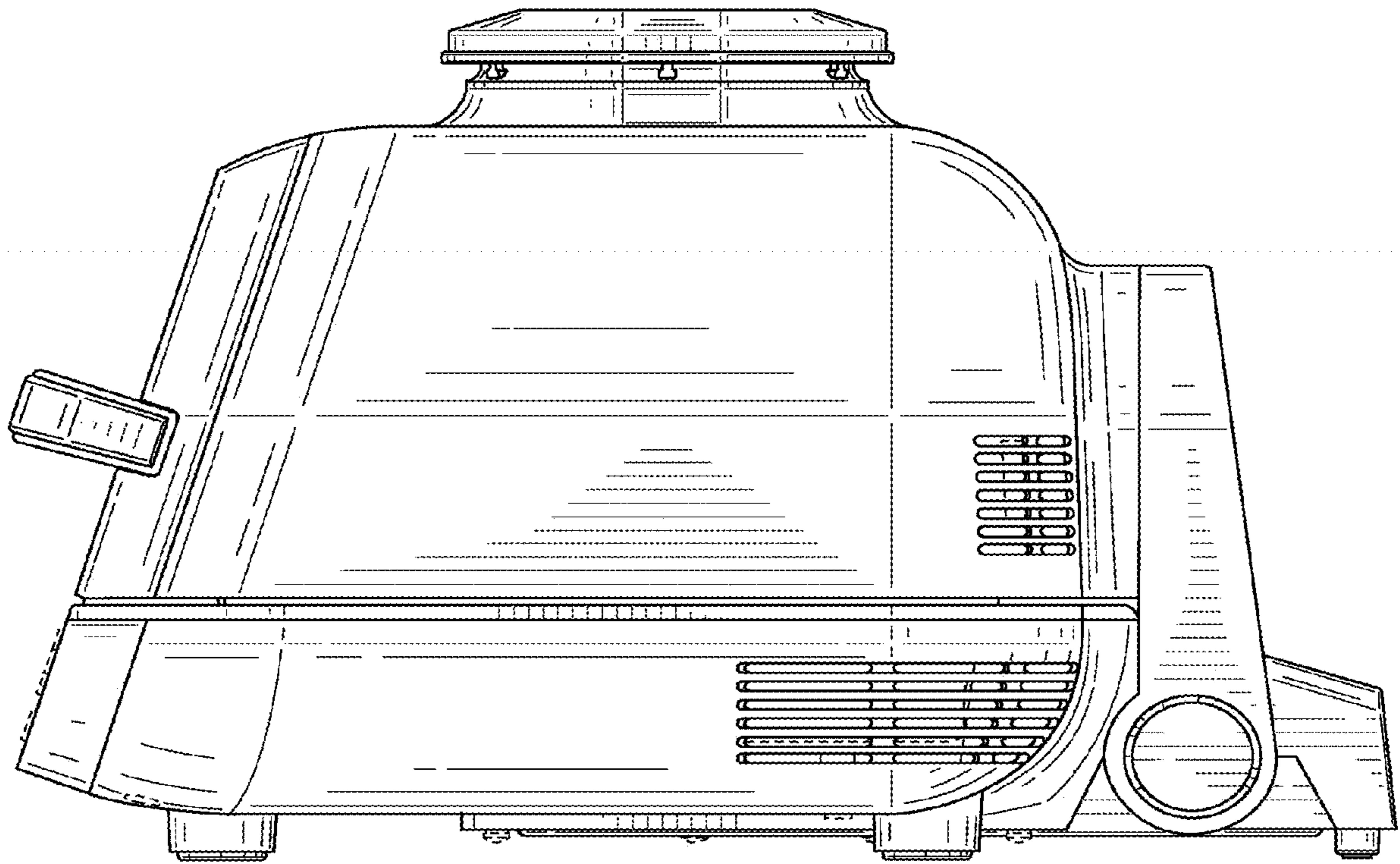


FIG. 4

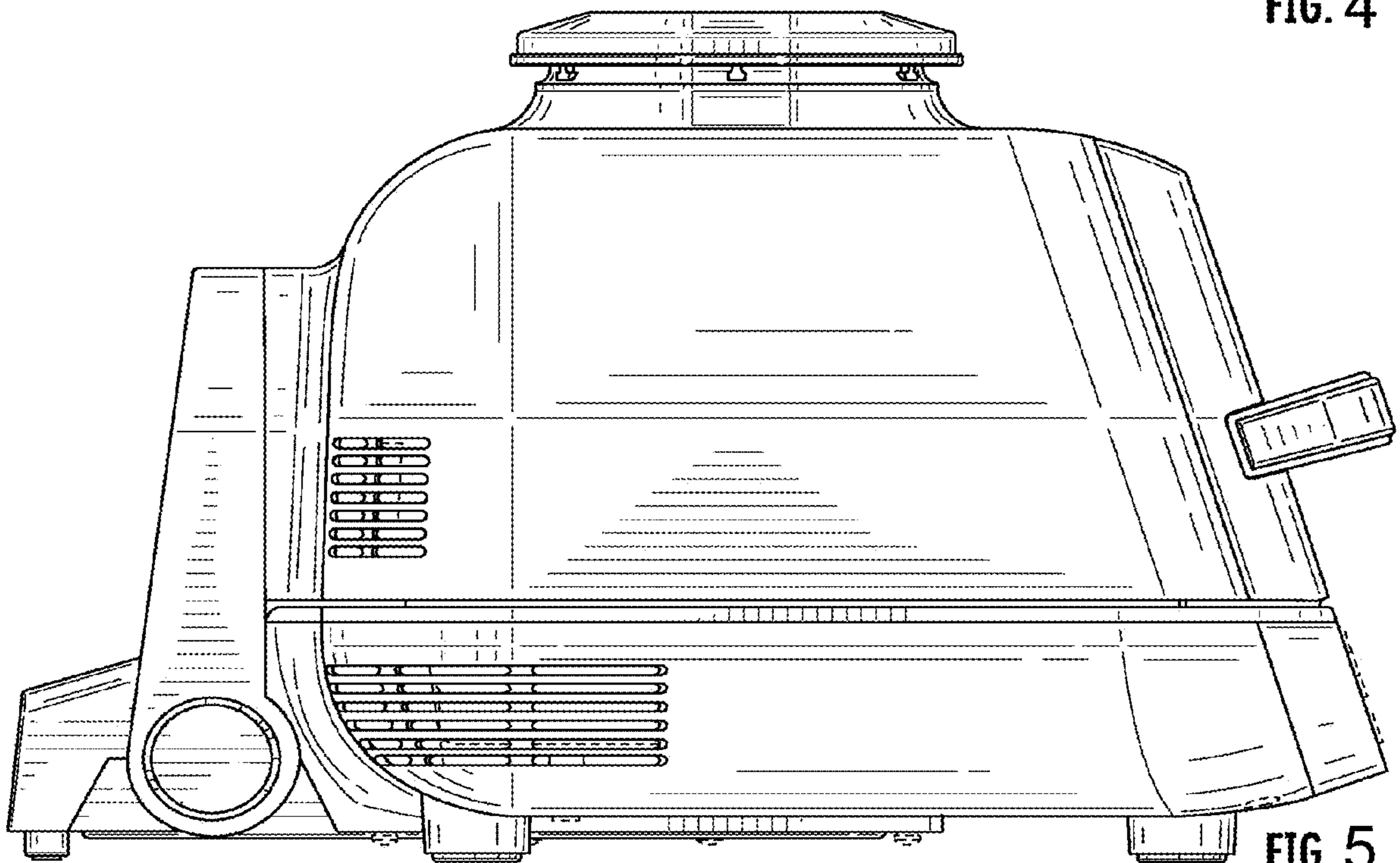


FIG. 5

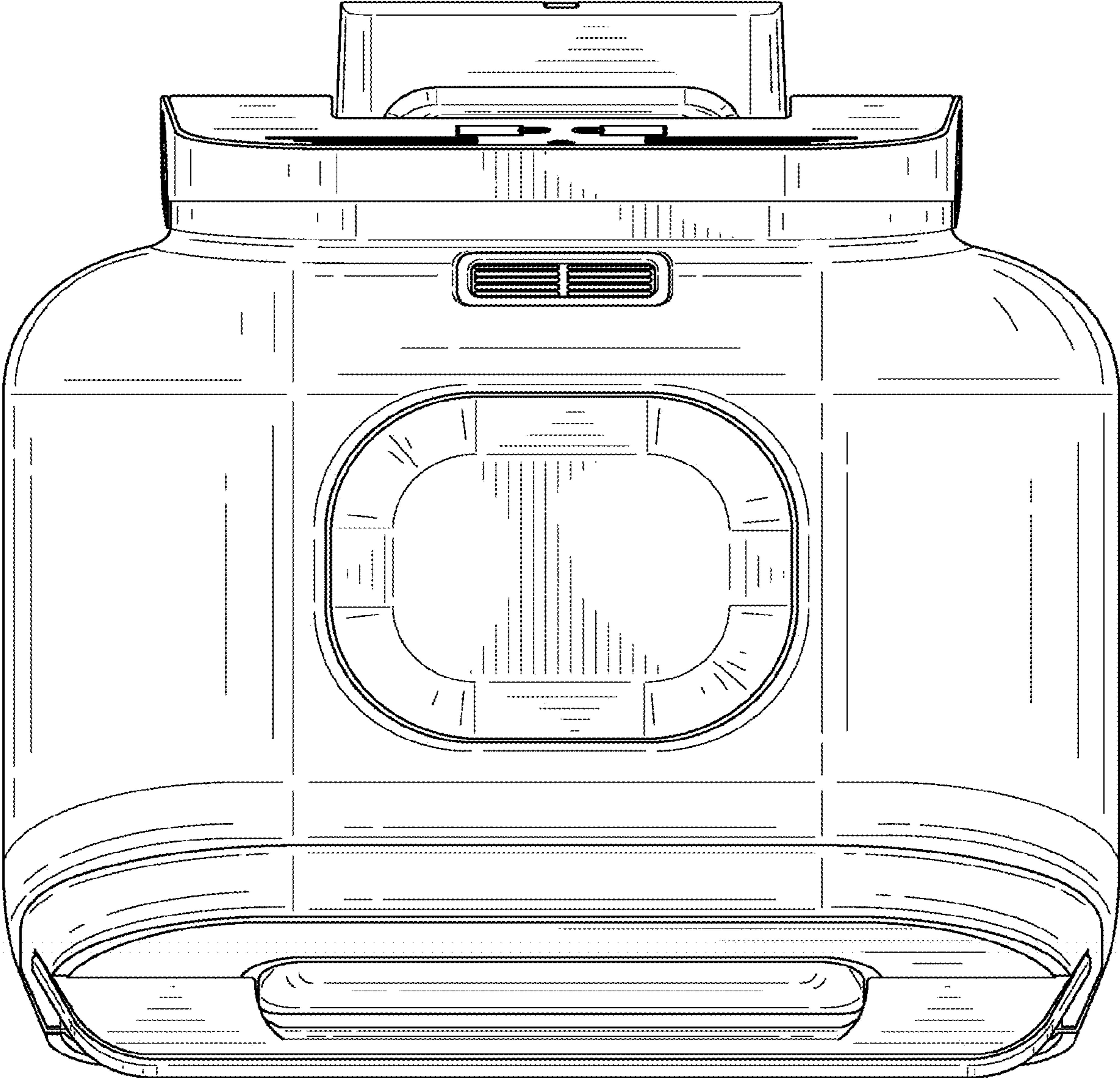


FIG. 6

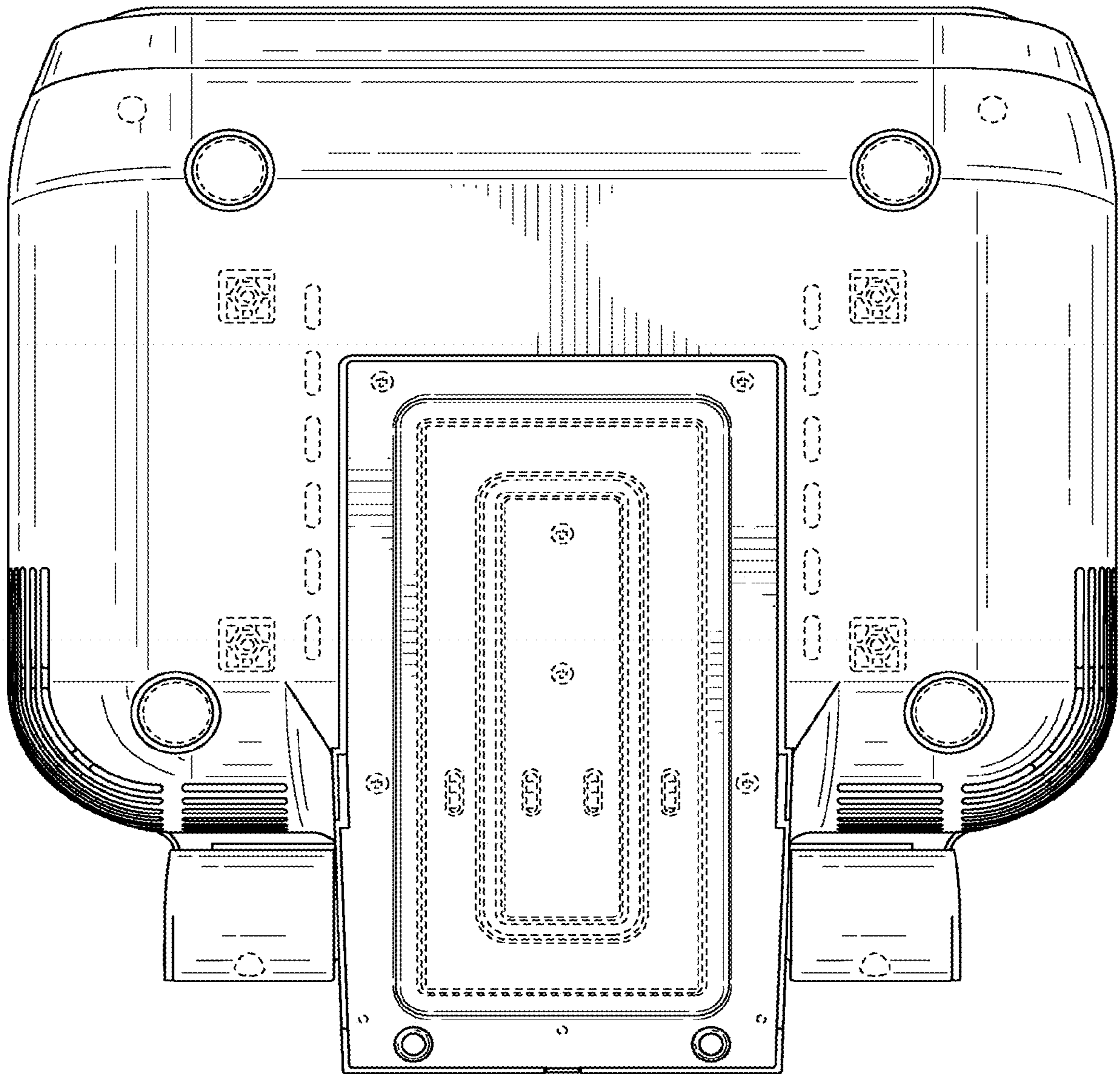


FIG. 7